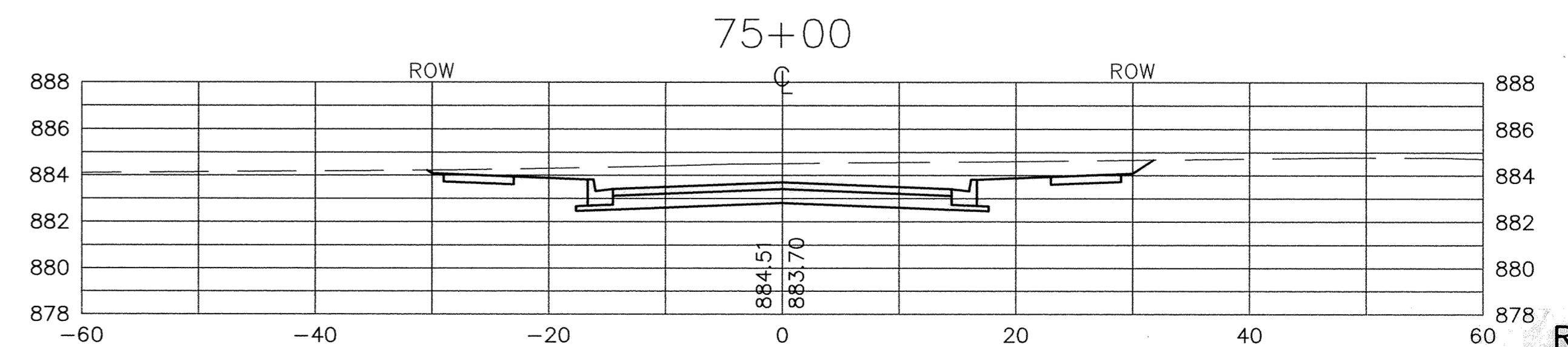
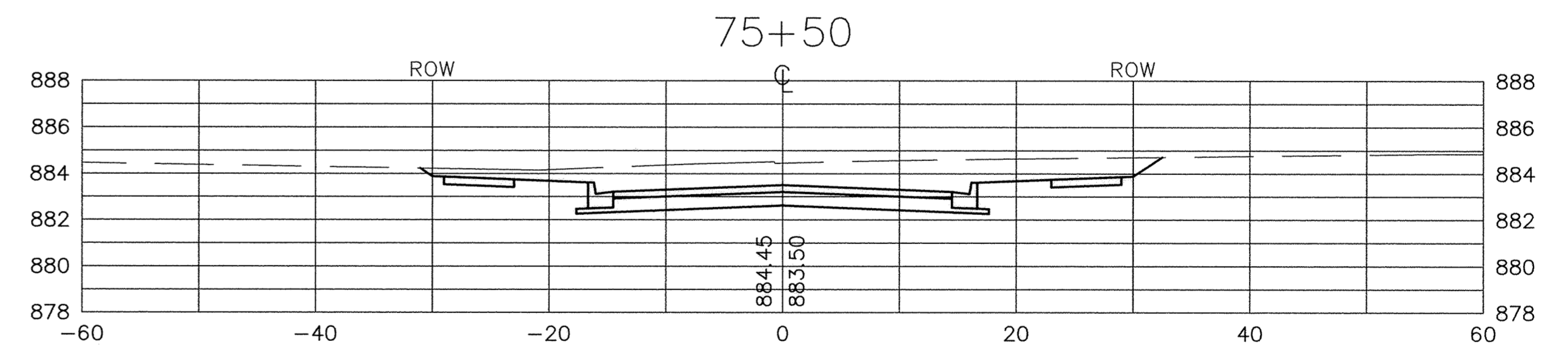
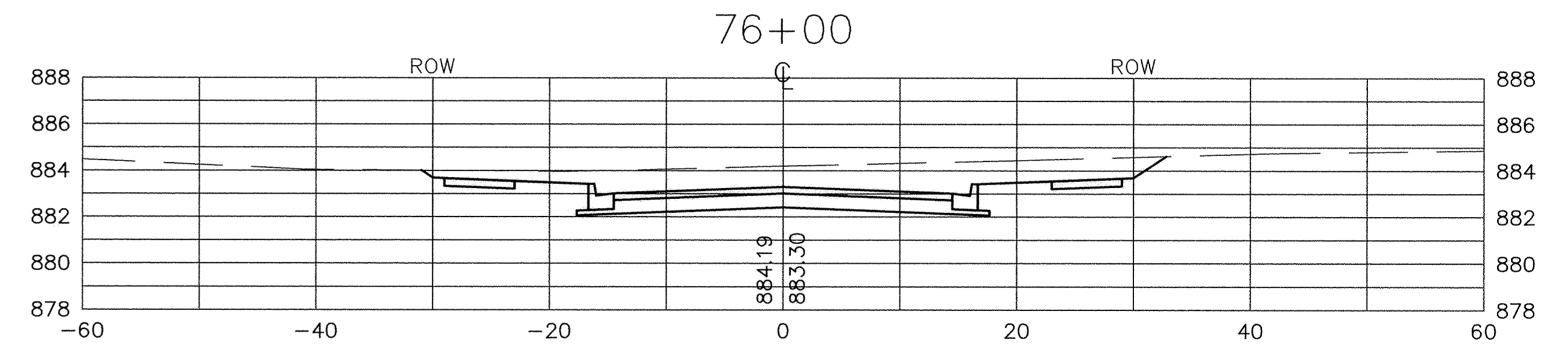
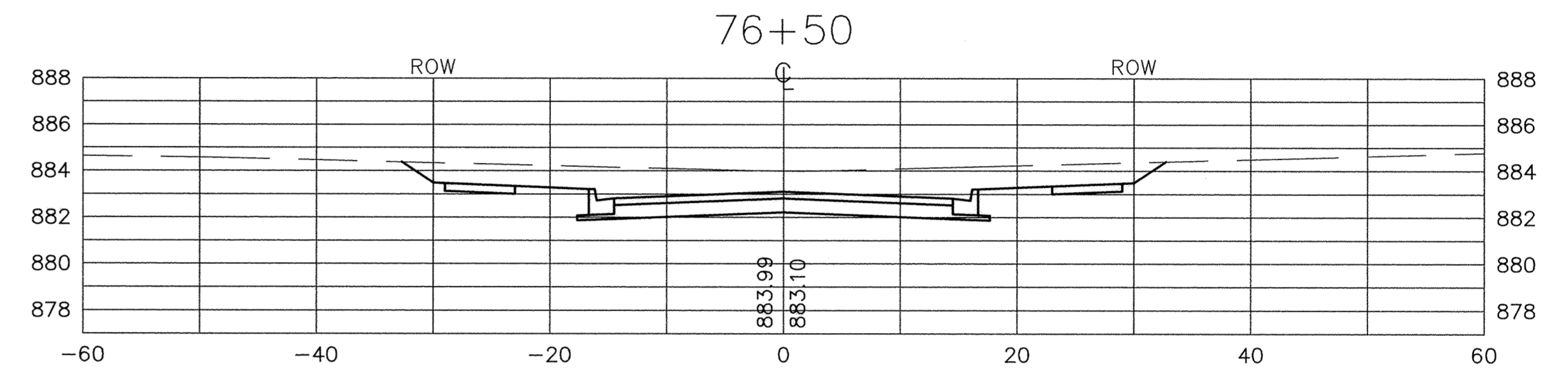
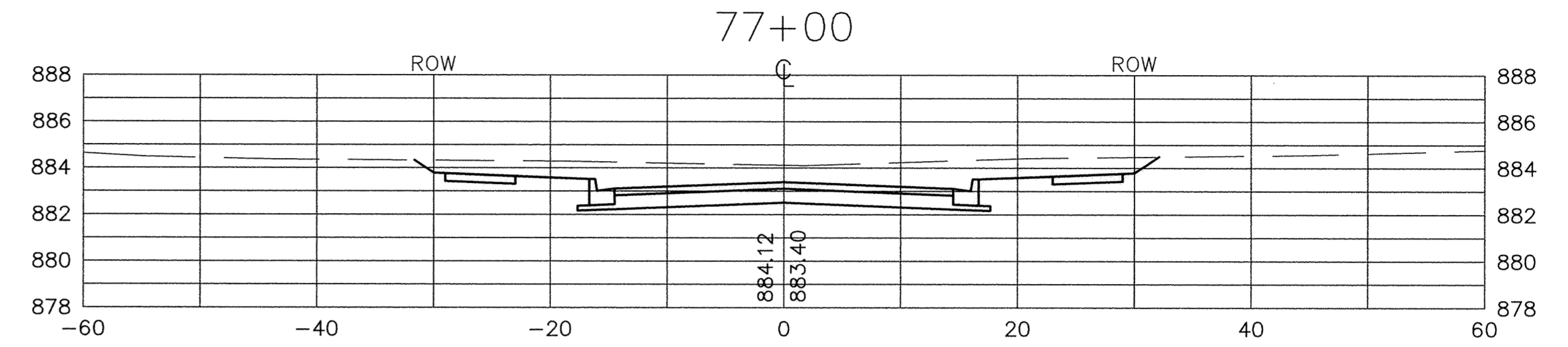
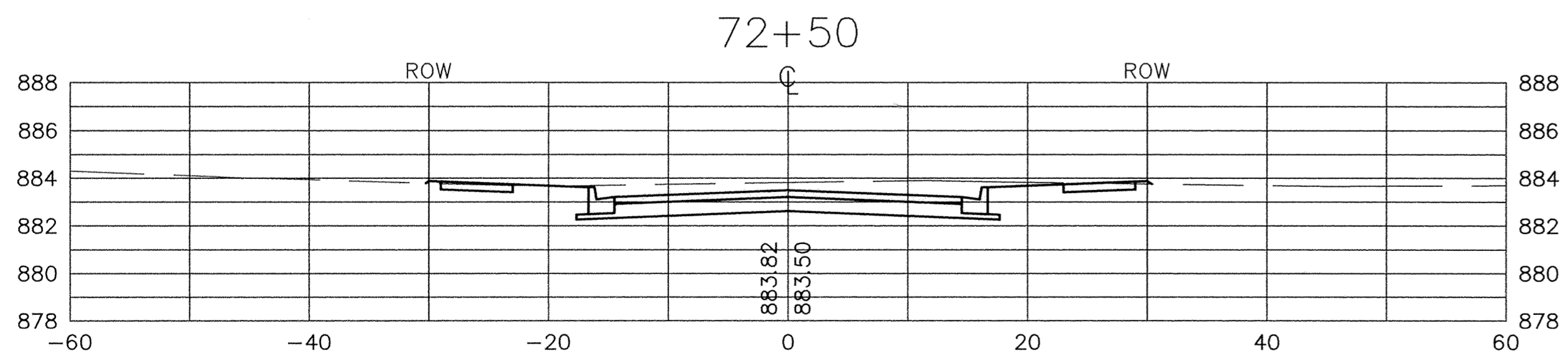
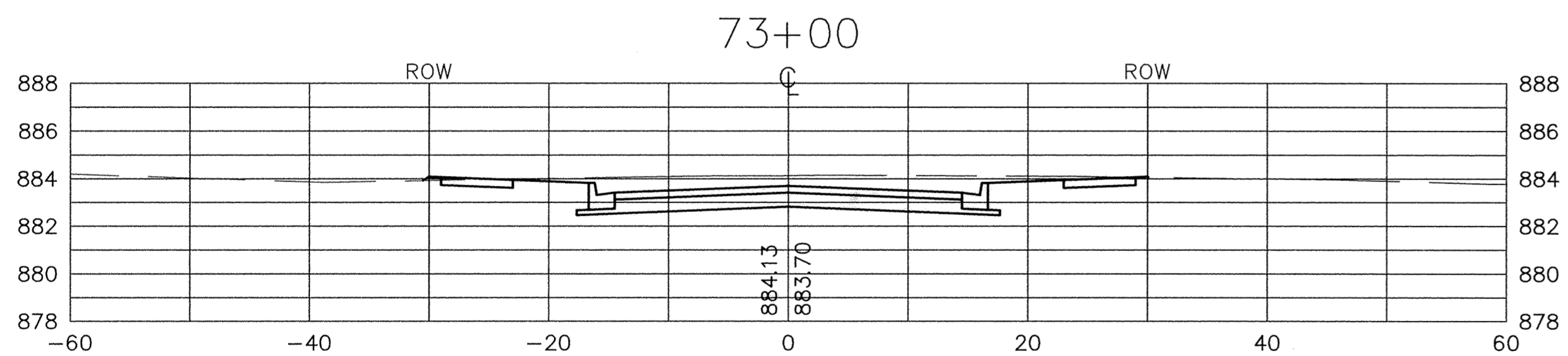
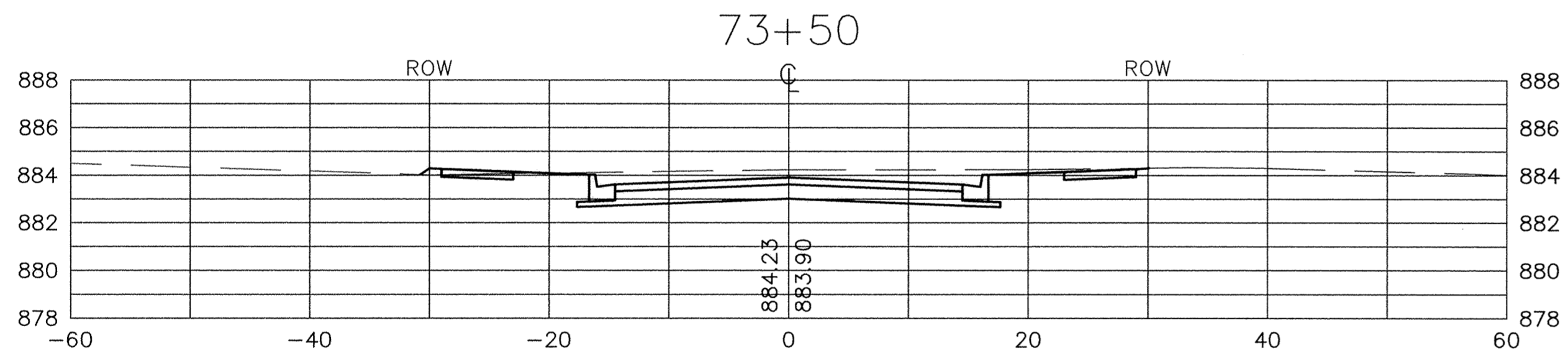
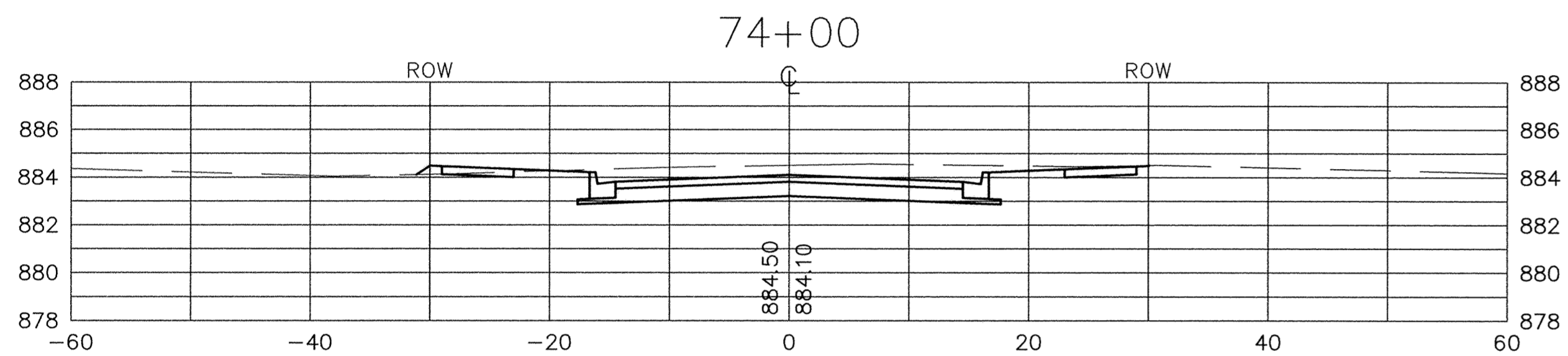
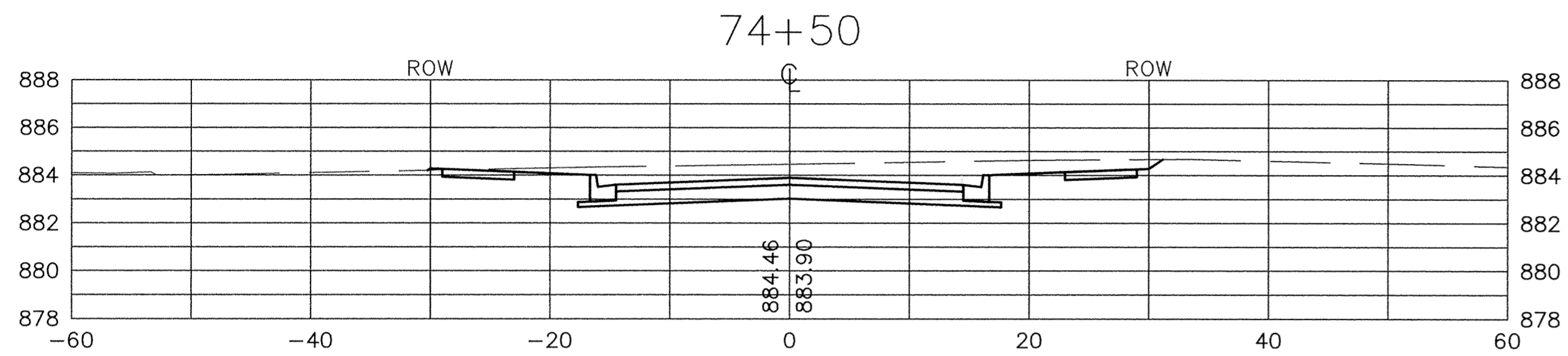


NOTE:  
NO STREET IMPROVEMENTS ARE INCLUDED IN THIS  
PROJECT BETWEEN STA. 65+94 AND 81+50



RECORD PLAN  
JANUARY 1996

I HEREBY CERTIFY THAT THIS PLAN, SPECIFICATION,  
OR REPORT WAS PREPARED BY ME OR UNDER MY DIRECT  
SUPERVISION AND THAT I AM A DULY REGISTERED  
PROFESSIONAL ENGINEER UNDER THE LAWS OF THE  
STATE OF MINNESOTA.  
*Mark V. Abraham*  
DATE 9/21/94 REG. NO. 19130



1326 ENERGY PARK DRIVE  
ST. PAUL, MINNESOTA 55108  
(612) 644-4389  
  
9800 SHELARD PARKWAY  
MINNEAPOLIS, MINNESOTA 55441  
(612) 546-0432

DATE	DESCRIPTION	DESIGNED	M/JG
9-15-94	CHANGE ORDER NO. 1	CHECKED	
		DRAWN	LCS
REVISIONS		GRAPHIC SCALE	
		0	10
		0	5
			VERT.

CITY OF ELK RIVER  
183RD AVENUE  
CROSS SECTIONS

67+50 TO 72+00

DATE AUG. 1994 SHEET 36R OF 63 SHEETS PROJECT NO. 230-223

REVISIONS BY PART NUMBER 8582