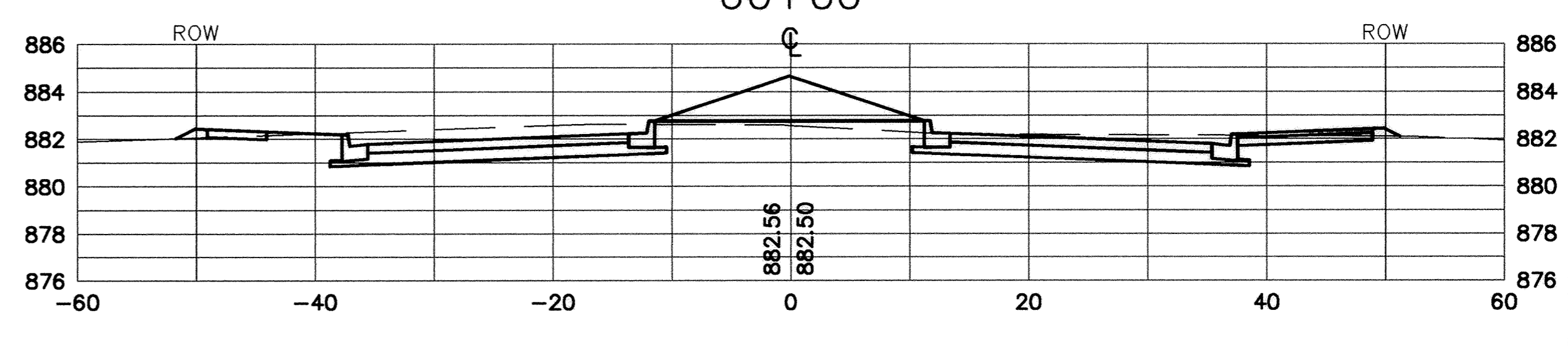
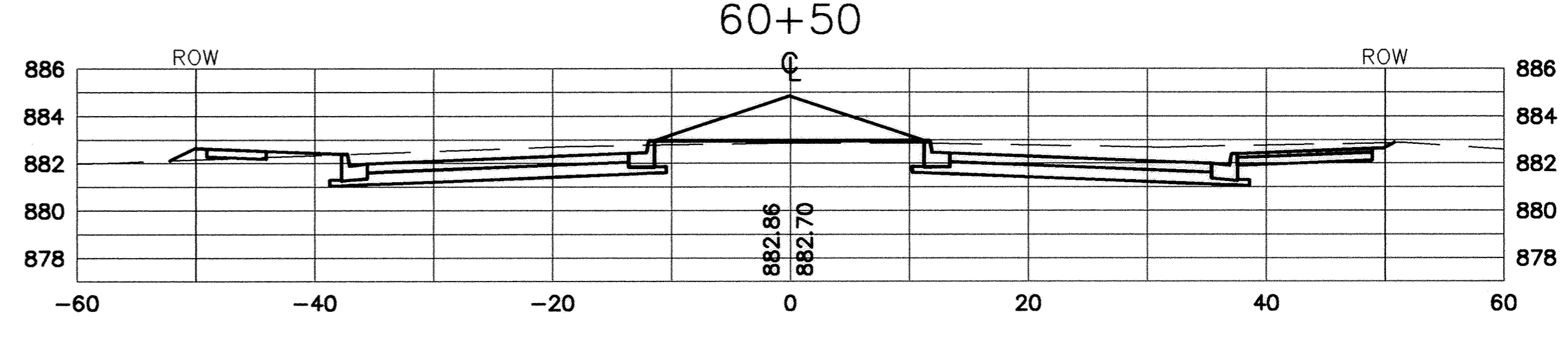
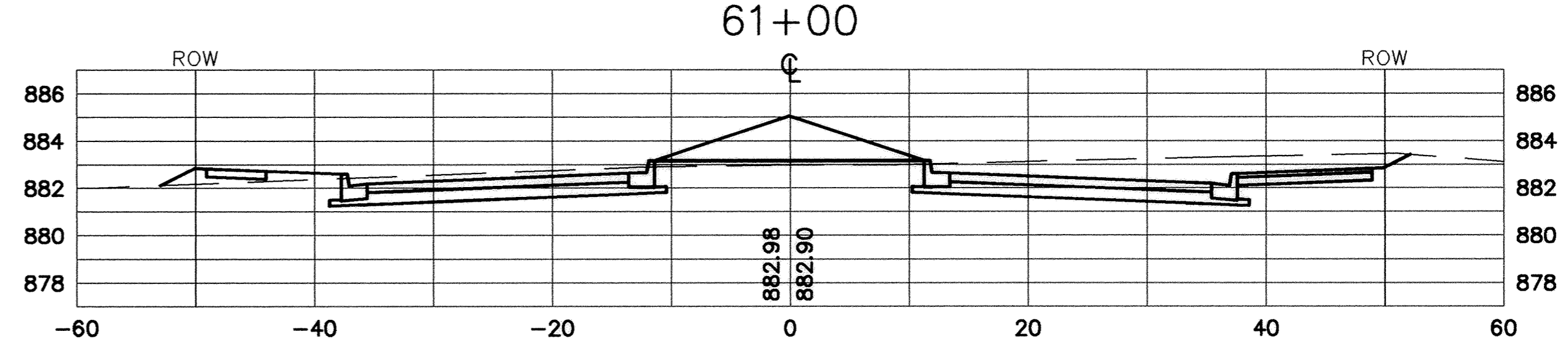
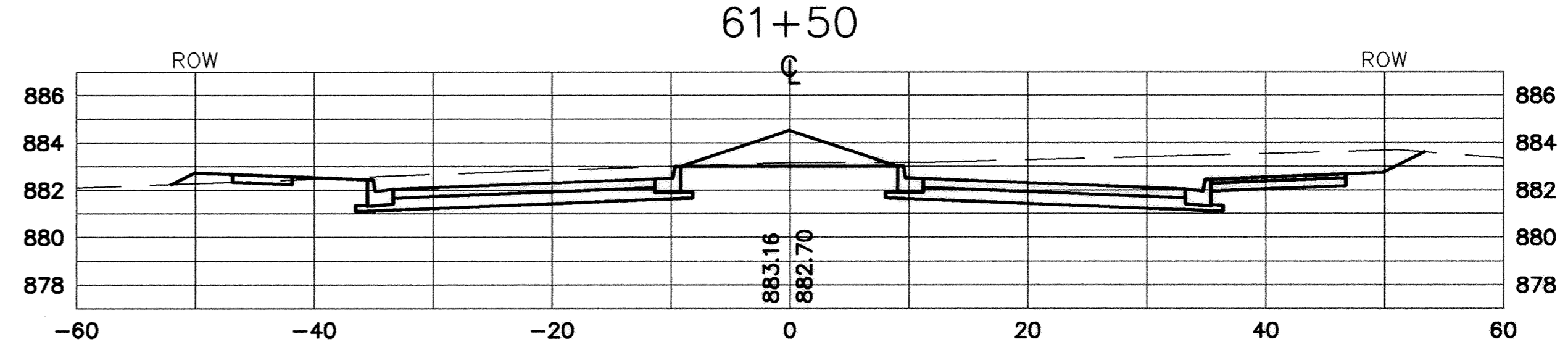
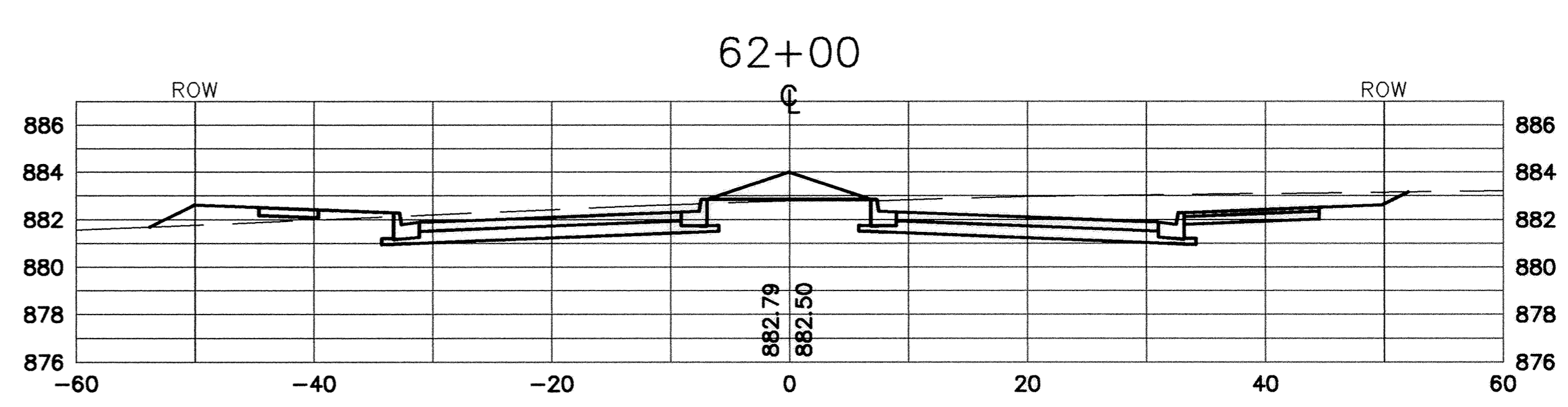
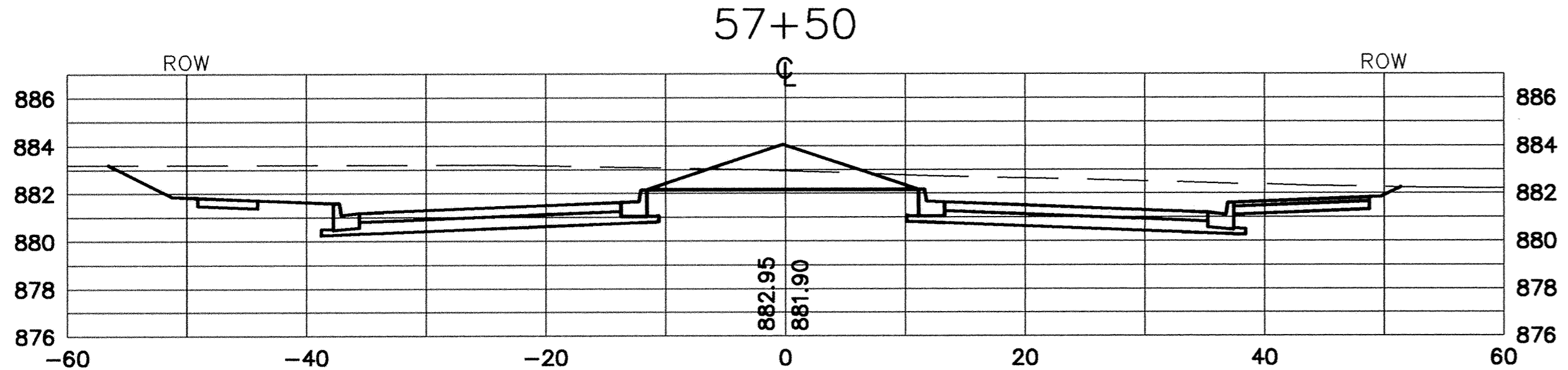
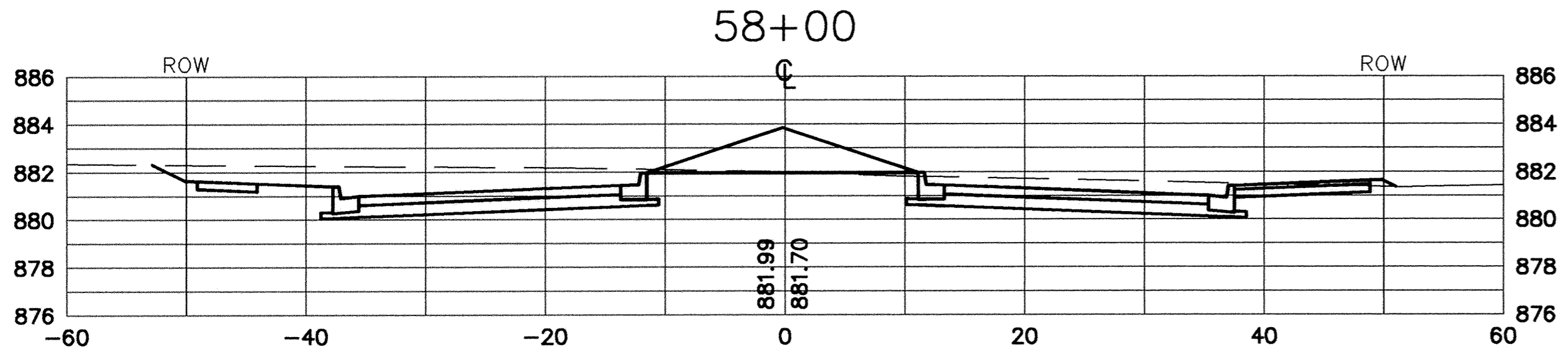
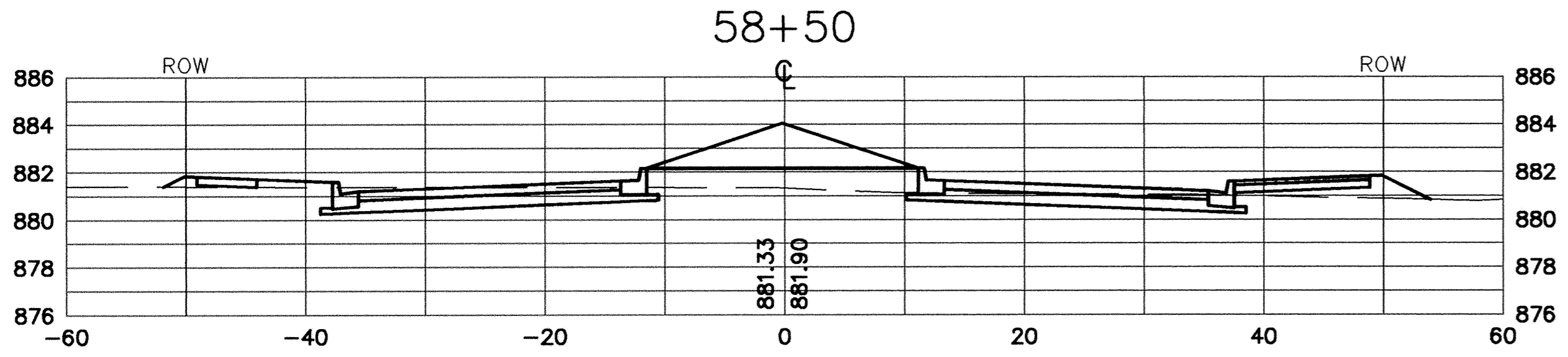
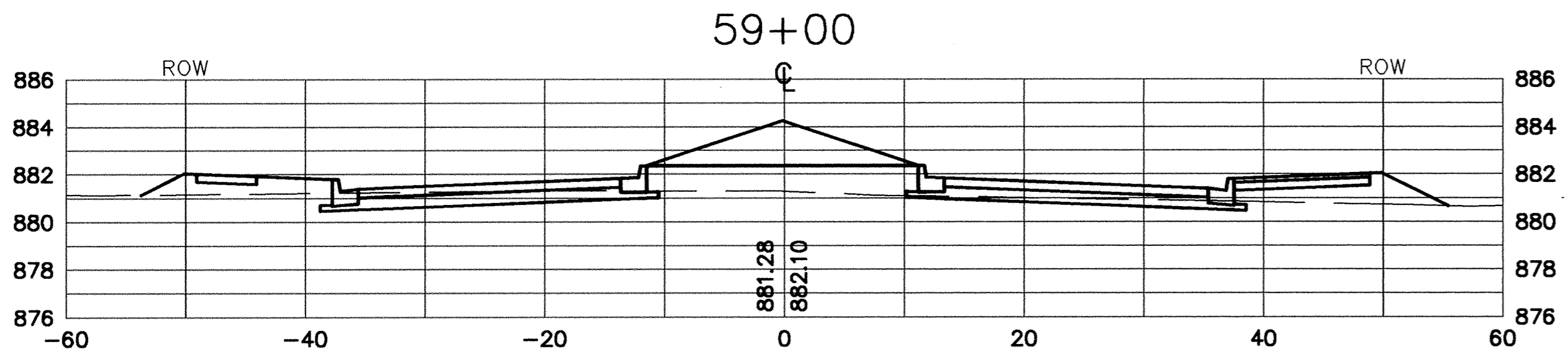
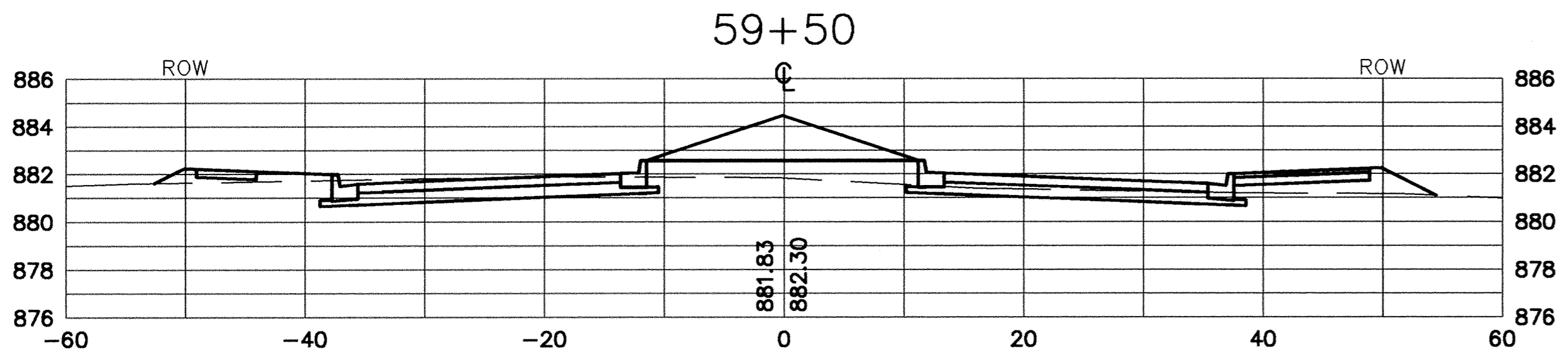


SACCO PRODUCTS • NEW HOPE, MINNESOTA
 REGISTERED BY PART NUMBER 8582
 SACCO PRODUCTS • NEW HOPE, MINNESOTA
 REGISTERED BY PART NUMBER 8582
 SACCO PRODUCTS • NEW HOPE, MINNESOTA
 REGISTERED BY PART NUMBER 8582
 SACCO PRODUCTS • NEW HOPE, MINNESOTA
 REGISTERED BY PART NUMBER 8582



RECORD PLAN
JANUARY 1996

I HEREBY CERTIFY THAT THIS PLAN, SPECIFICATION, OR REPORT WAS PREPARED BY ME OR UNDER MY DIRECT SUPERVISION AND THAT I AM A DULY REGISTERED PROFESSIONAL ENGINEER UNDER THE LAWS OF THE STATE OF MINNESOTA.
Mark V. Graham
 DATE 8/16/92 REG. NO. 19130



1326 ENERGY PARK DRIVE
ST. PAUL, MINNESOTA 55108
(612) 644-4389

9800 SHELARD PARKWAY
MINNEAPOLIS, MINNESOTA 55441
(612) 546-0432

REVISIONS	DATE	DESCRIPTION	DESIGNED	CHECKED	DRAWN

GRAPHIC SCALE
0 10
0 VERT. 5

CITY OF ELK RIVER		ORONO PARKWAY		CROSS SECTIONS	
DATE	AUG. 1994	SHEET	33 OF 63	SHEETS	PROJECT NO. 230-223