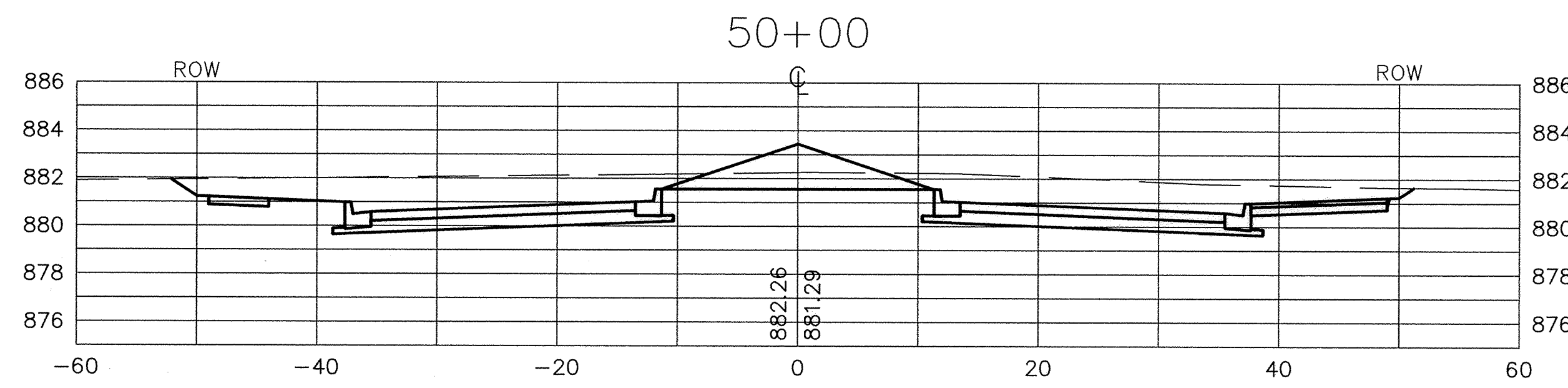
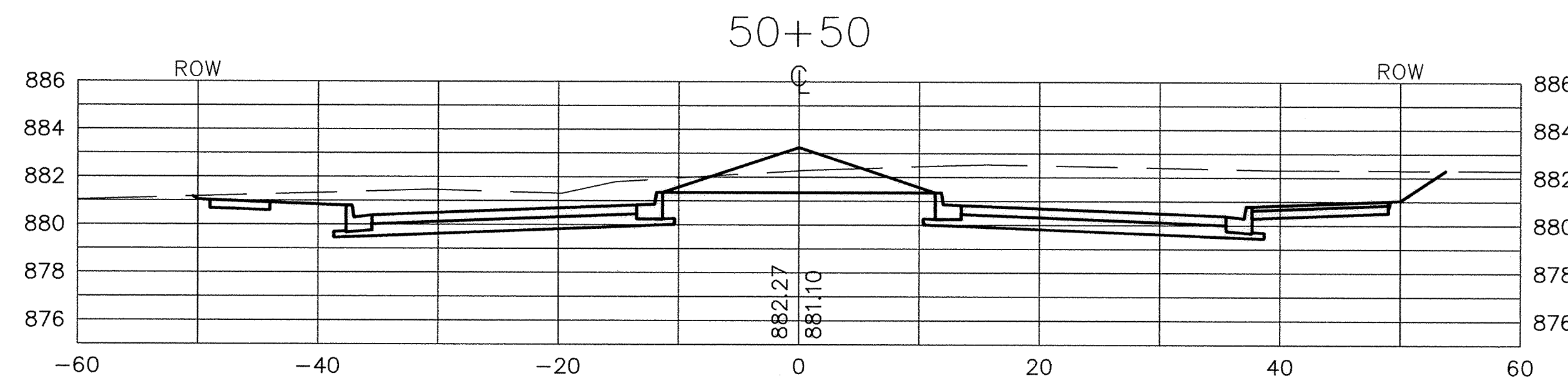
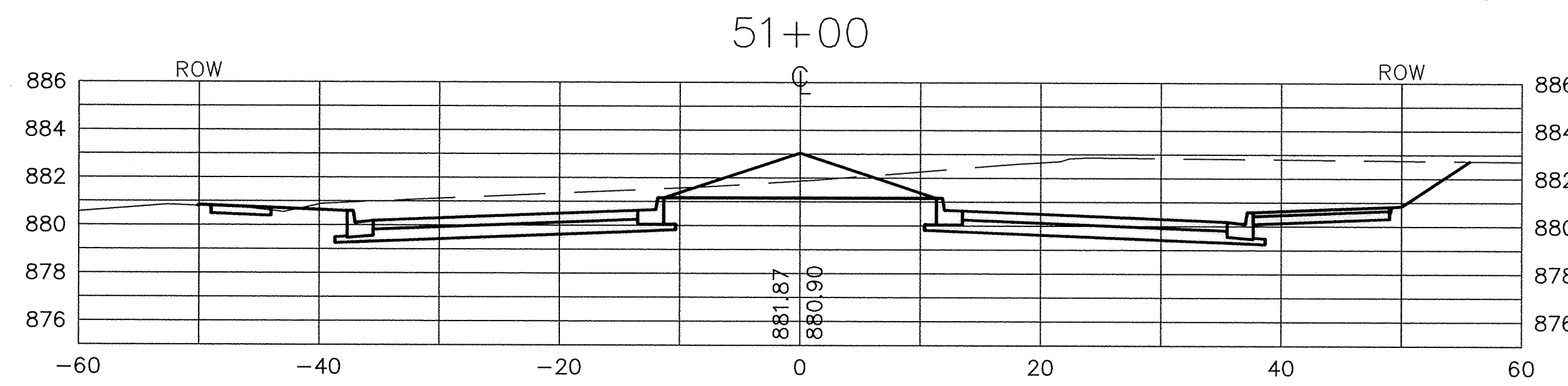
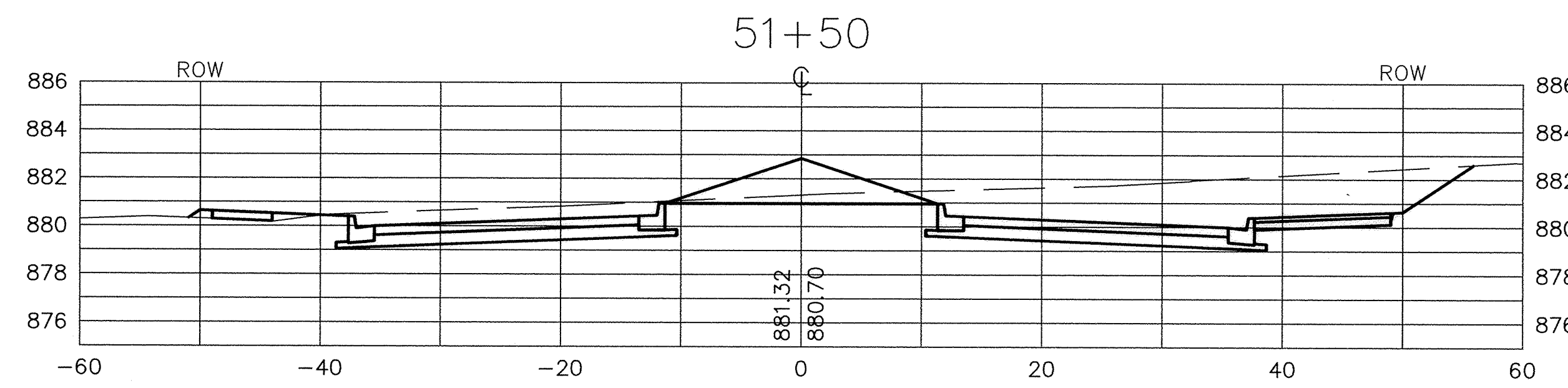
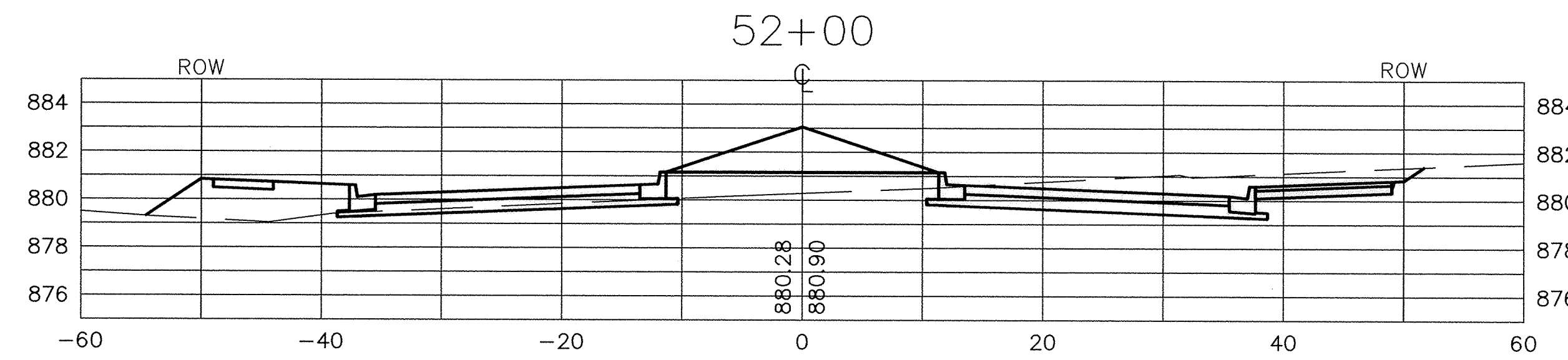
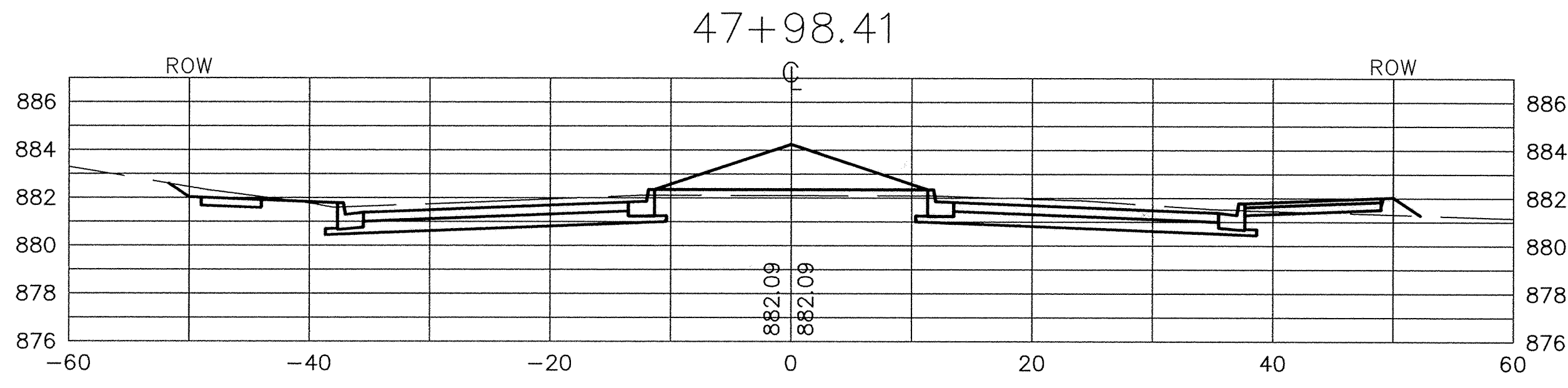
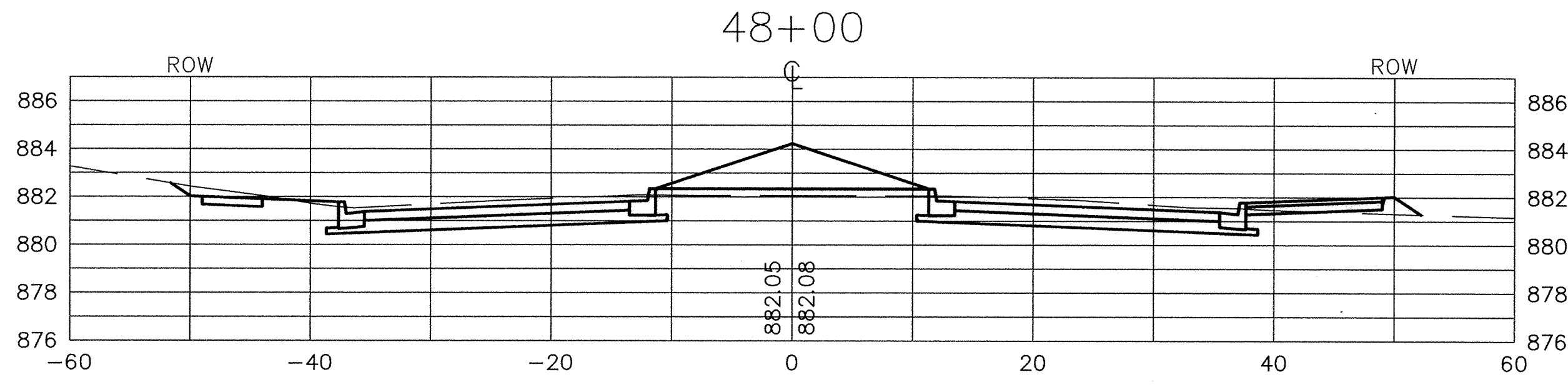
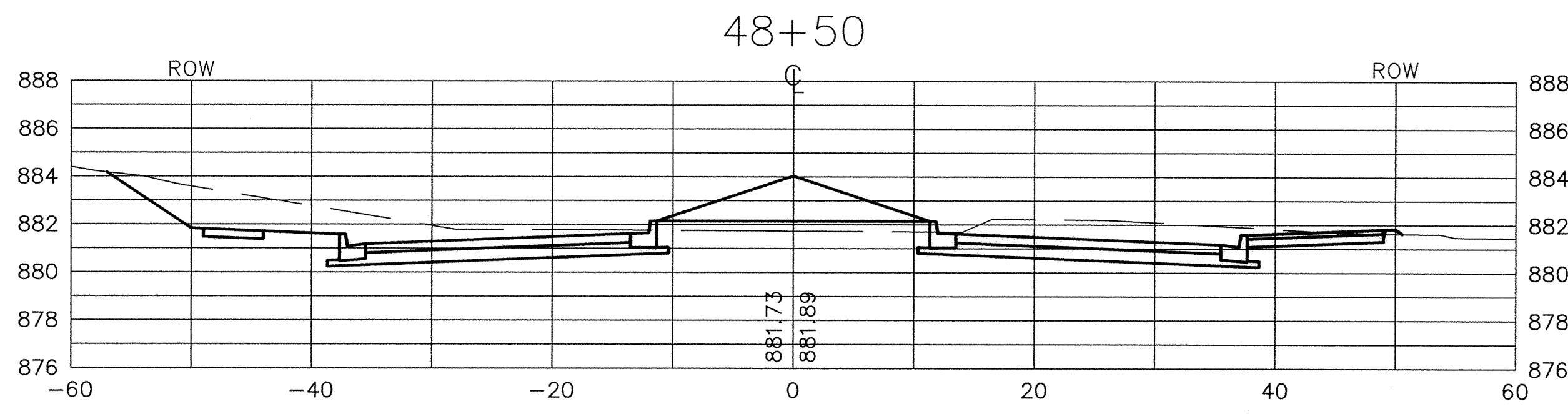
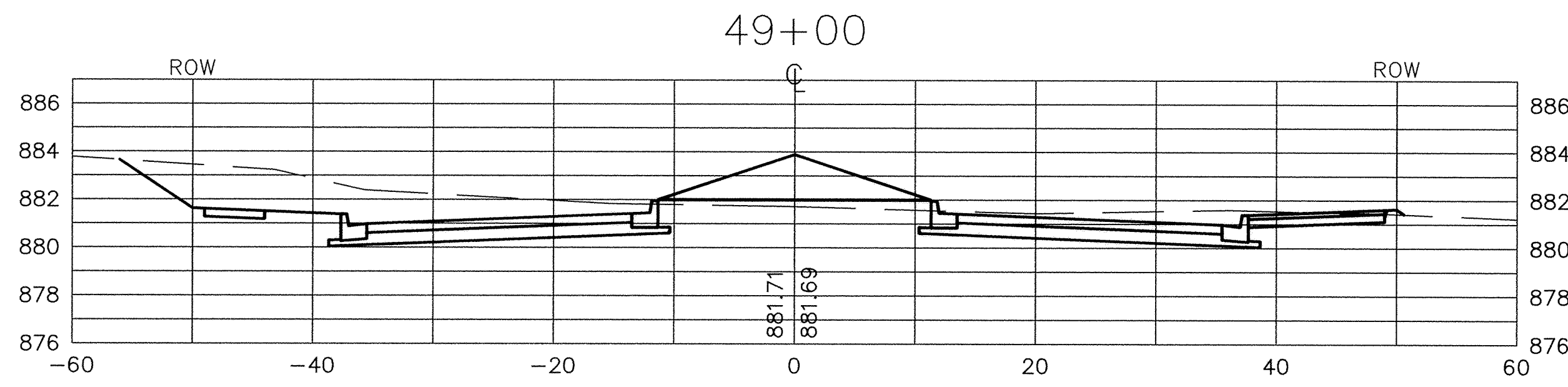
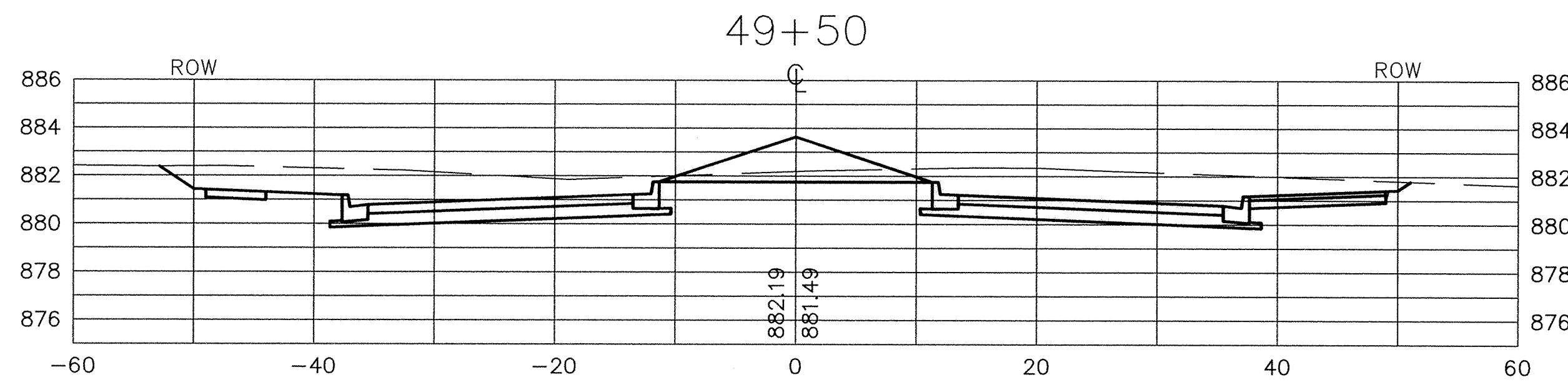
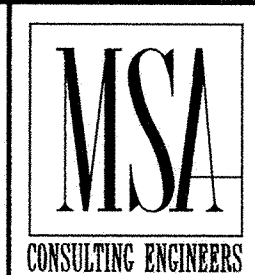


SACO PRODUCTS • NEW HOPE, MINNESOTA  
 REORDER BY PART NUMBER 6552  
 SACO PRODUCTS • NEW HOPE, MINNESOTA  
 REORDER BY PART NUMBER 6552  
 SACO PRODUCTS • NEW HOPE, MINNESOTA  
 REORDER BY PART NUMBER 6552  
 SACO PRODUCTS • NEW HOPE, MINNESOTA  
 REORDER BY PART NUMBER 6552



**RECORD PLAN**  
**JANUARY 1996**

I HEREBY CERTIFY THAT THIS PLAN, SPECIFICATION,  
 OR REPORT WAS PREPARED BY ME OR UNDER MY DIRECT  
 SUPERVISION AND THAT I AM A DULY REGISTERED  
 PROFESSIONAL ENGINEER UNDER THE LAWS OF THE  
 STATE OF MINNESOTA.  
*Mark V. Graham*  
 DATE 9/2/94 REG. NO. 19130



1326 ENERGY PARK DRIVE  
 ST. PAUL, MINNESOTA 55108  
 (612) 644-4389  
 9800 SHELARD PARKWAY  
 MINNEAPOLIS, MINNESOTA 55441  
 (612) 546-0432

REVISIONS	DATE	DESCRIPTION	DESIGNED	CHECKED	DRAWN	GRAPHIC SCALE
	9-15-94	CHANGE ORDER NO. 1	MJG	LCS	LCS	0 10 0 VERT. 5

CITY OF ELK RIVER		ORONO PARKWAY CROSS SECTIONS		47+98.41 TO 52+00	
DATE	AUG. 1994	SHEET	32A OF 63 SHEETS	PROJECT NO.	230-223