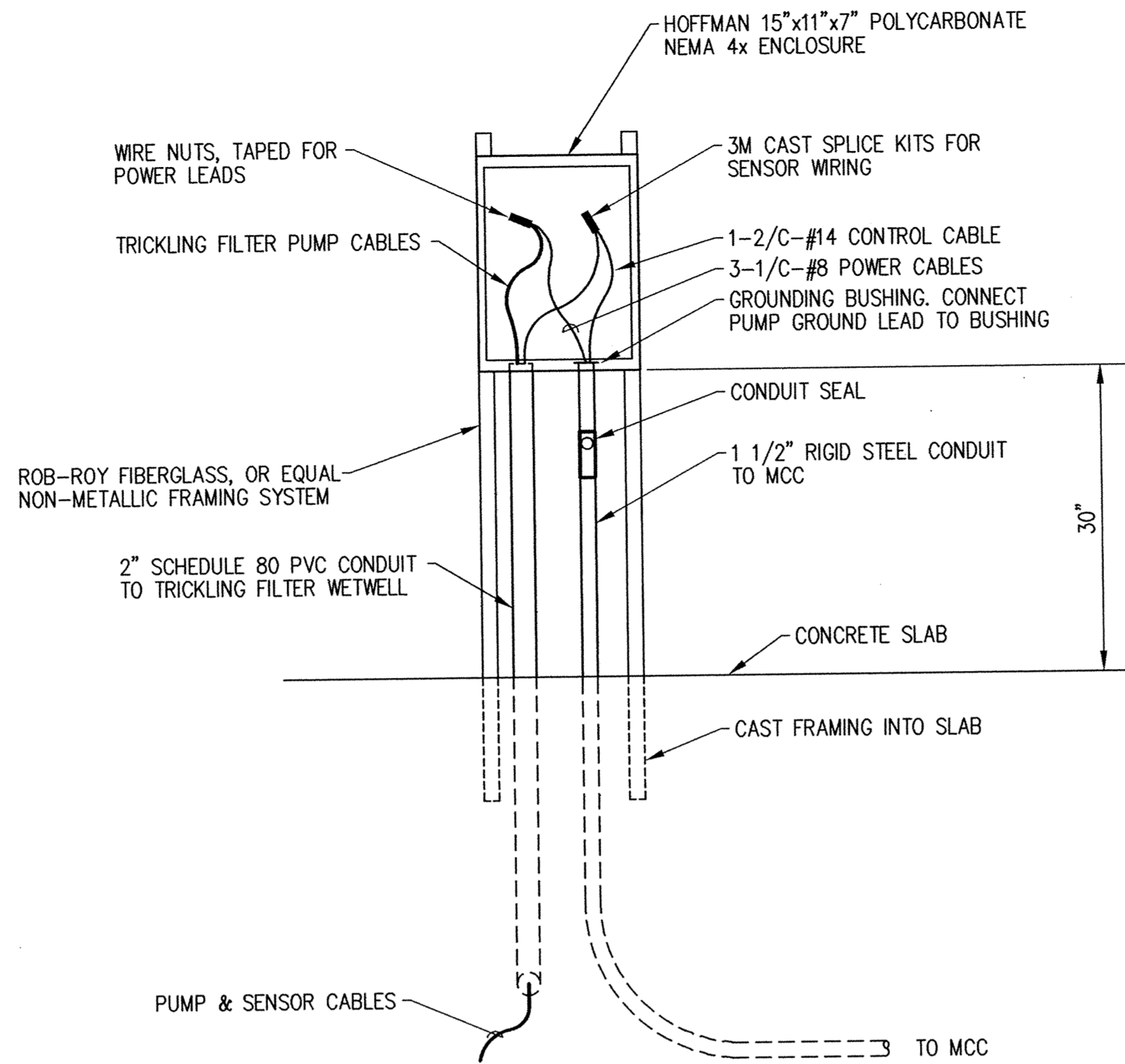
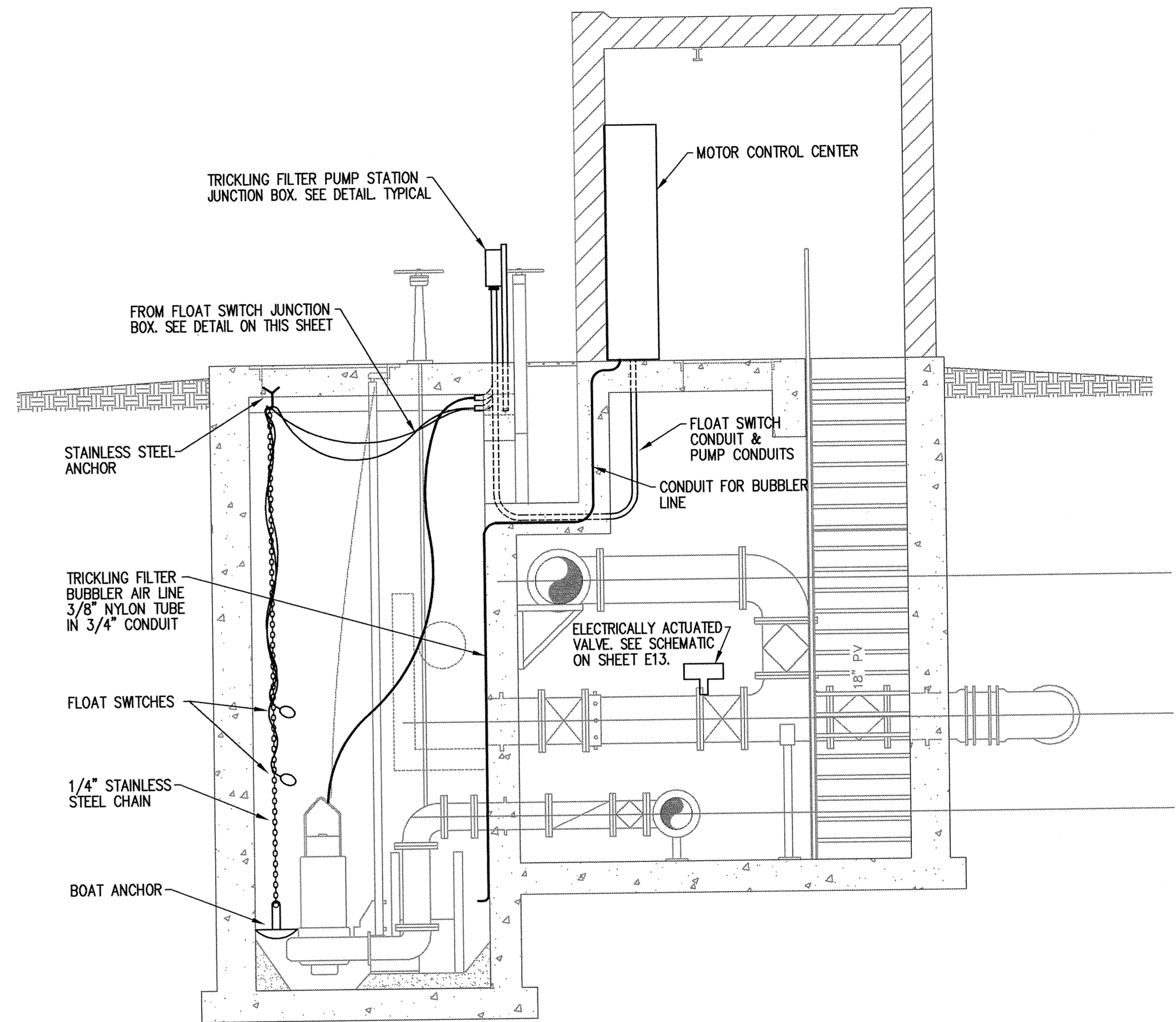


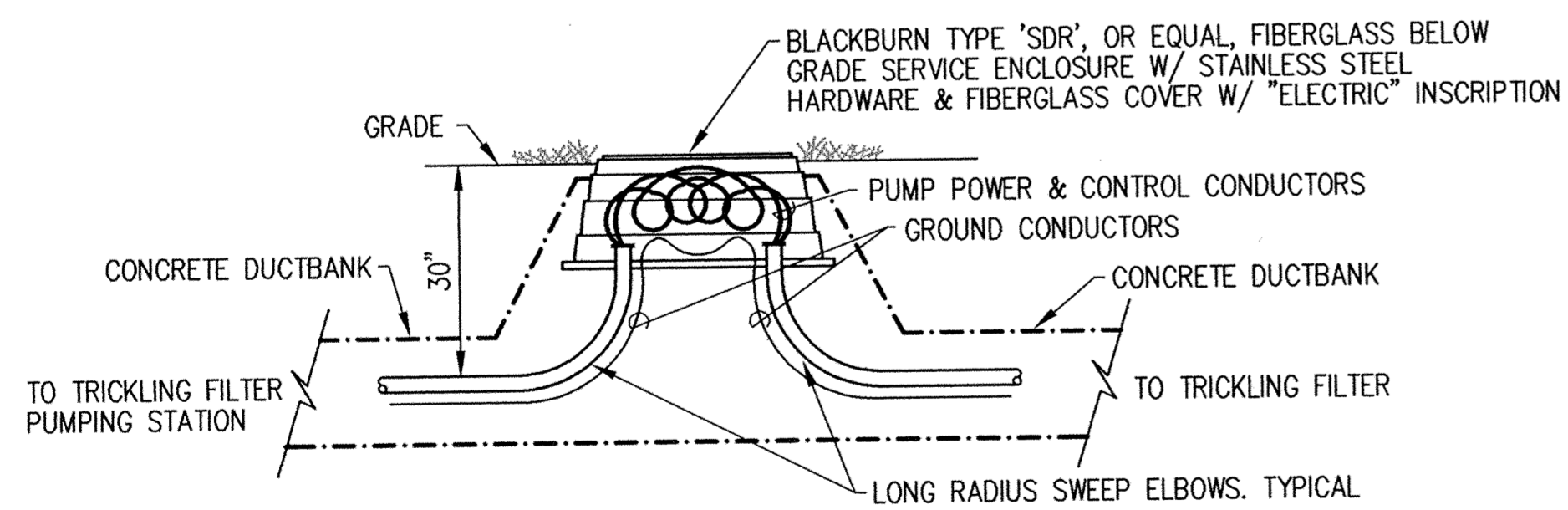
TRICKLING FILTER FLOAT SWITCH CONTROL JUNCTION BOX DETAIL
NO SCALE



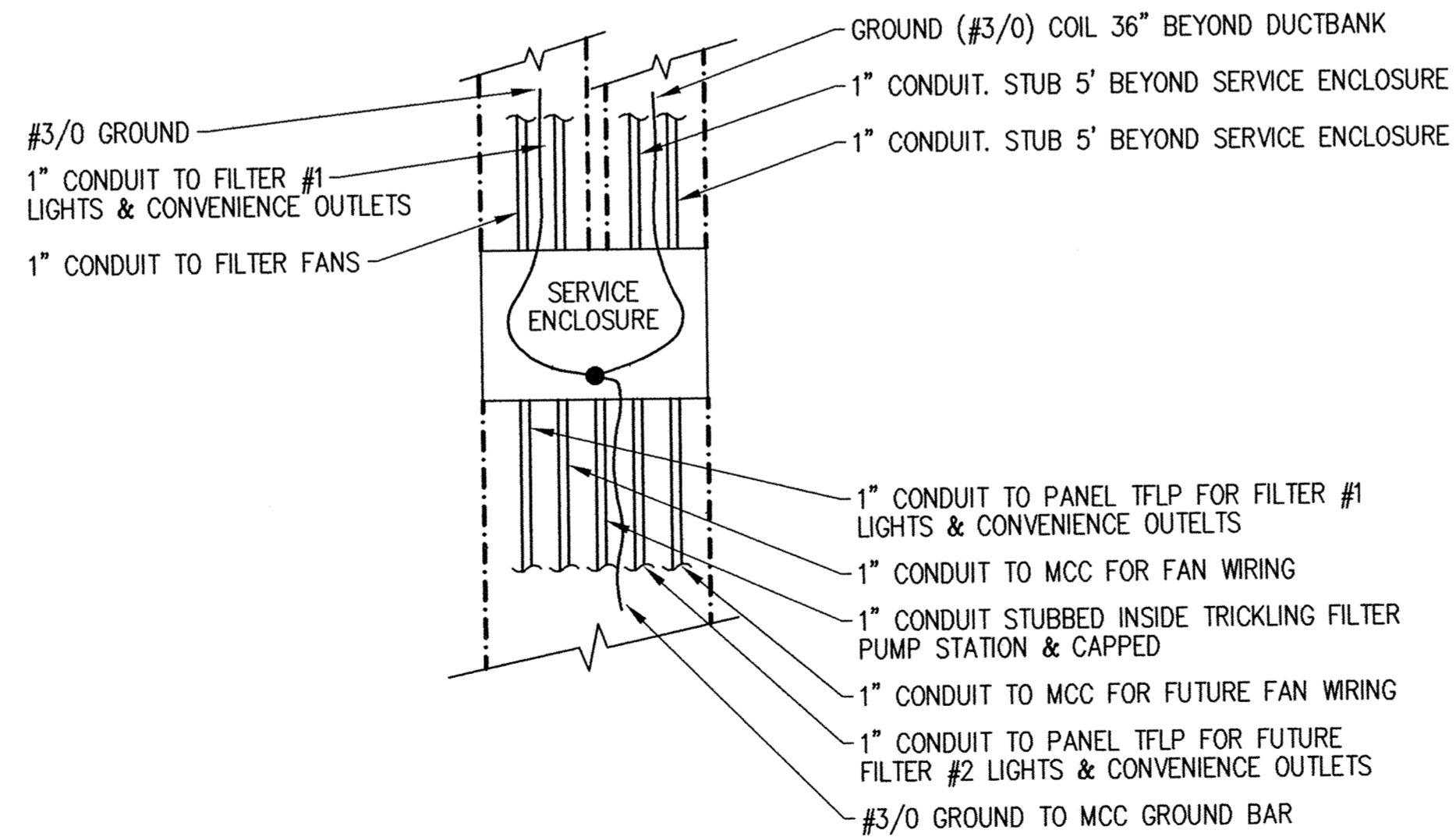
TRICKLING FILTER PUMP STATION JUNCTION BOX DETAIL
NO SCALE TYPICAL 5



TRICKLING FILTER PUMP STATION SECTION
SCALE: 3/8" = 1'-0"
MAIN LEVEL



ELECTRICAL JUNCTION BOX DETAIL - ELEVATION
NO SCALE



TRICKLING FILTER JUNCTION BOX
NO SCALE

This drawing was prepared by:
Koeding & Associates, Inc.
7300 France Avenue South
Suite 330
Minneapolis, MN 55435
Telephone: (612) 831-0317
Fax: (612) 831-2179

I HEREBY CERTIFY THAT THIS PLAN, SPECIFICATION, OR REPORT WAS PREPARED BY ME OR UNDER MY DIRECT SUPERVISION AND THAT I AM A DULY REGISTERED PROFESSIONAL ENGINEER UNDER THE LAWS OF THE STATE OF MINNESOTA.
[Signature]
DATE: 12/1/93 REG. NO. 9955



1326 ENERGY PARK DRIVE
ST. PAUL, MINNESOTA 55108
(612) 644-4389

9800 SHELARD PARKWAY
MINNEAPOLIS, MINNESOTA 55441
(612) 546-0432

DATE	DESCRIPTION	DESIGNED PFK	CHECKED PFK

DRAWN DTB

GRAPHIC SCALE
0 HORIZ.
0 VERT.

CITY OF ELK RIVER
WASTEWATER TREATMENT FACILITIES
TRICKLING FILTER PUMP STATION SECTION & DETAILS

DATE DEC 1993 SHEET ___ OF ___ SHEETS PROJECT NO. 230-151

E6