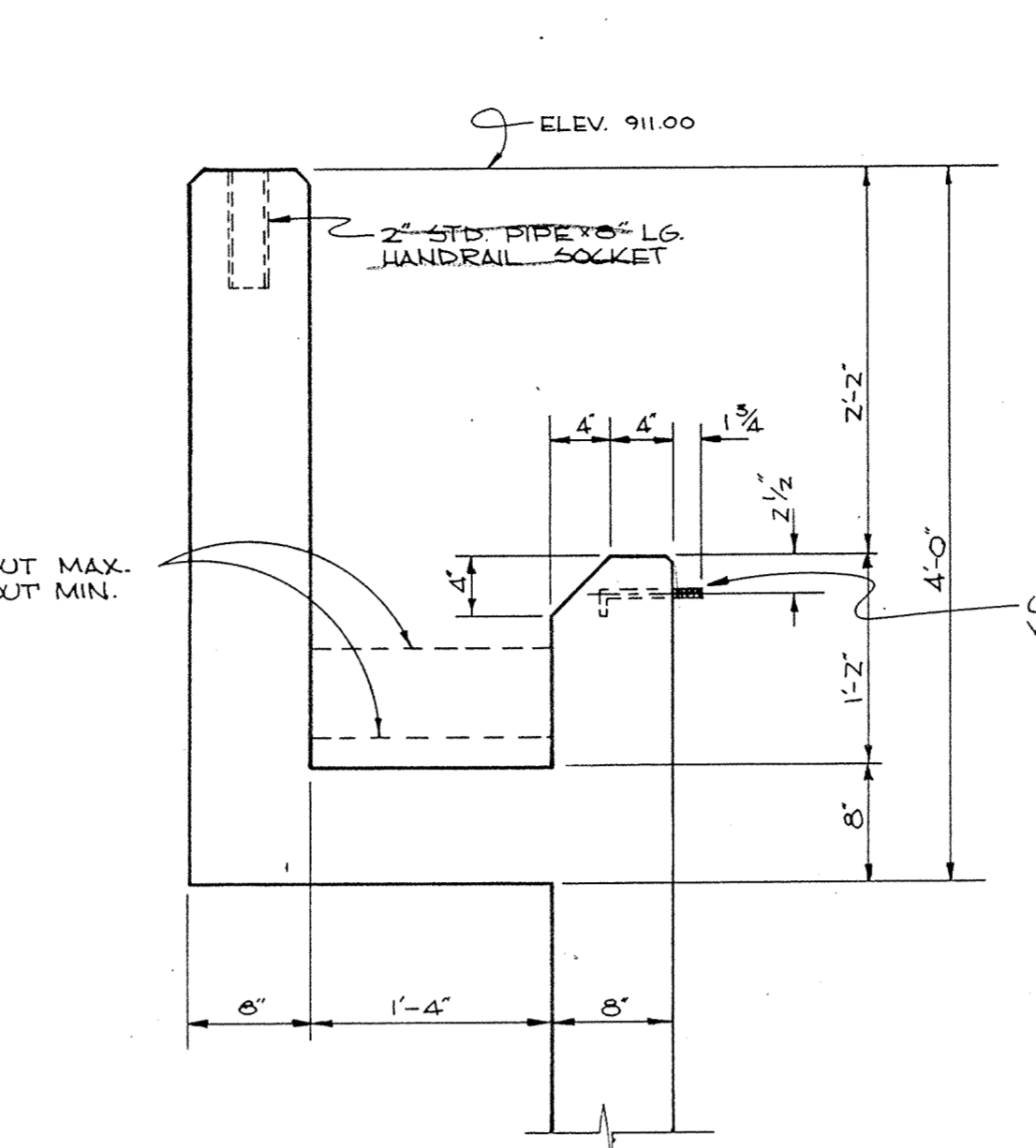
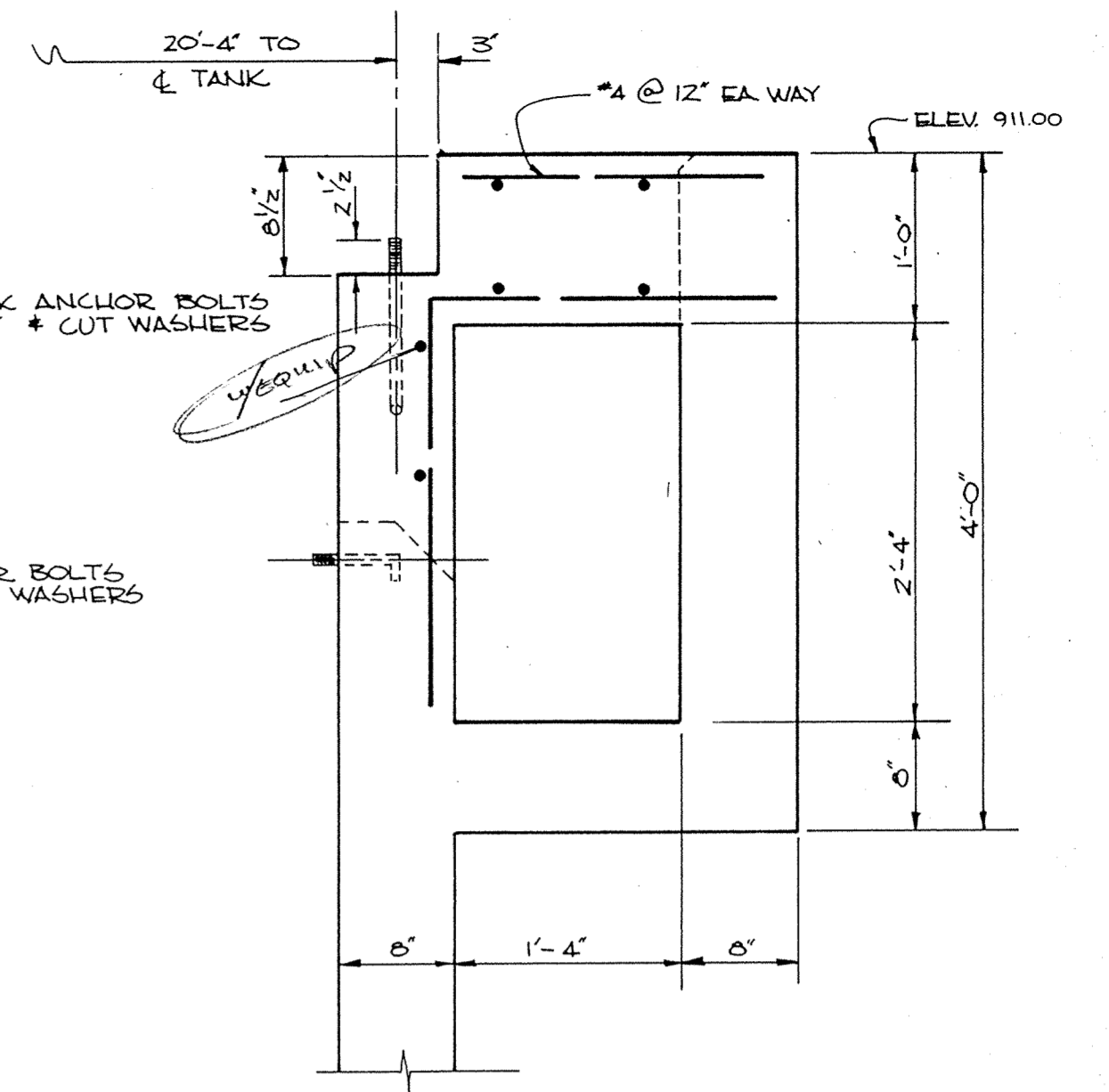


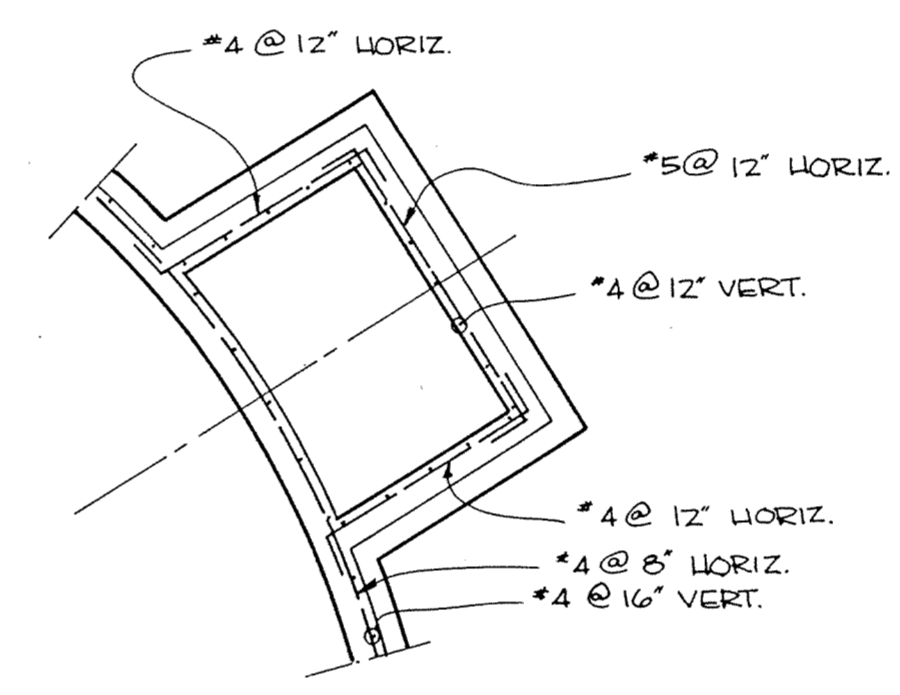
PLAN
SCALE: 1/4" = 1'-0"



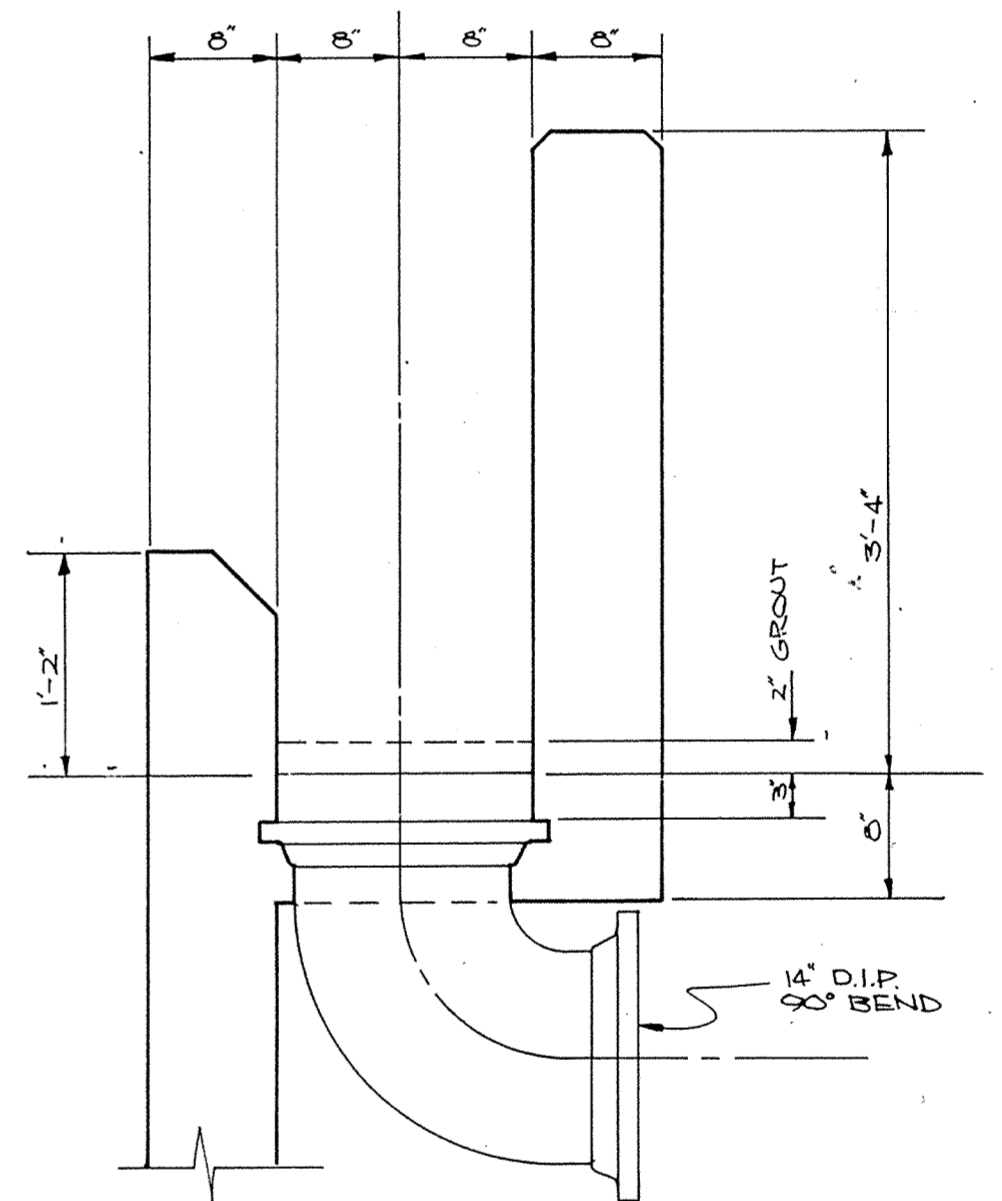
EFFLUENT TROUGH DETAIL ①
SCALE: 1" = 1'-0"



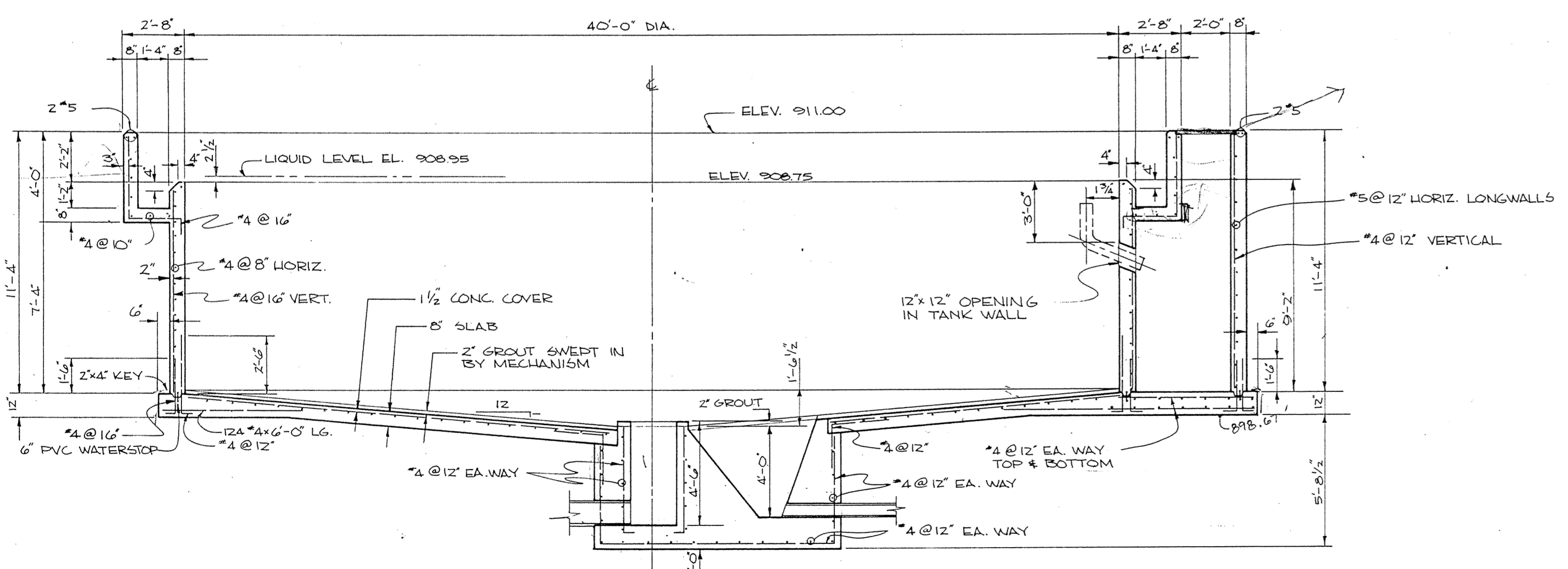
WALKWAY LANDING DETAIL ②
SCALE: 1" = 1'-0"



PLAN-SCUM PIT
REINFORCING DETAIL ③
SCALE: 1/4" = 1'-0"



EFFLUENT DISCHARGE DETAIL ④
SCALE: 1" = 1'-0"



SECTION
SCALE: 1/4" = 1'-0"

NO.	DATE	BY	REMARKS
REVISIONS			

DESIGNED K.L.V.	CHECKED K.L.V.
DRAWN S.W.J.	APPROVED W.H.M.
DATE 8/25/75	COMM.

I HEREBY CERTIFY THAT THIS PLAN WAS PREPARED BY ME OR UNDER MY DIRECT SUPERVISION AND THAT I AM A DULY REGISTERED PROFESSIONAL ENGINEER UNDER THE LAWS OF THE STATE OF MINNESOTA.

Barrett Van Aachen
 DATE Aug 29, 1975 REG. NO. 10159



WASTE WATER TREATMENT FACILITIES
 FOR
 ELK RIVER, MINNESOTA

SCALE AS NOTED	REV.
BOOK PAGE	9
FILE NO. 2603	OF 31

STRUCTURAL PLAN
 PRIMARY CLARIFIER NO. 2

DRAWING NUMBER
 WASTE/75
 9
 31