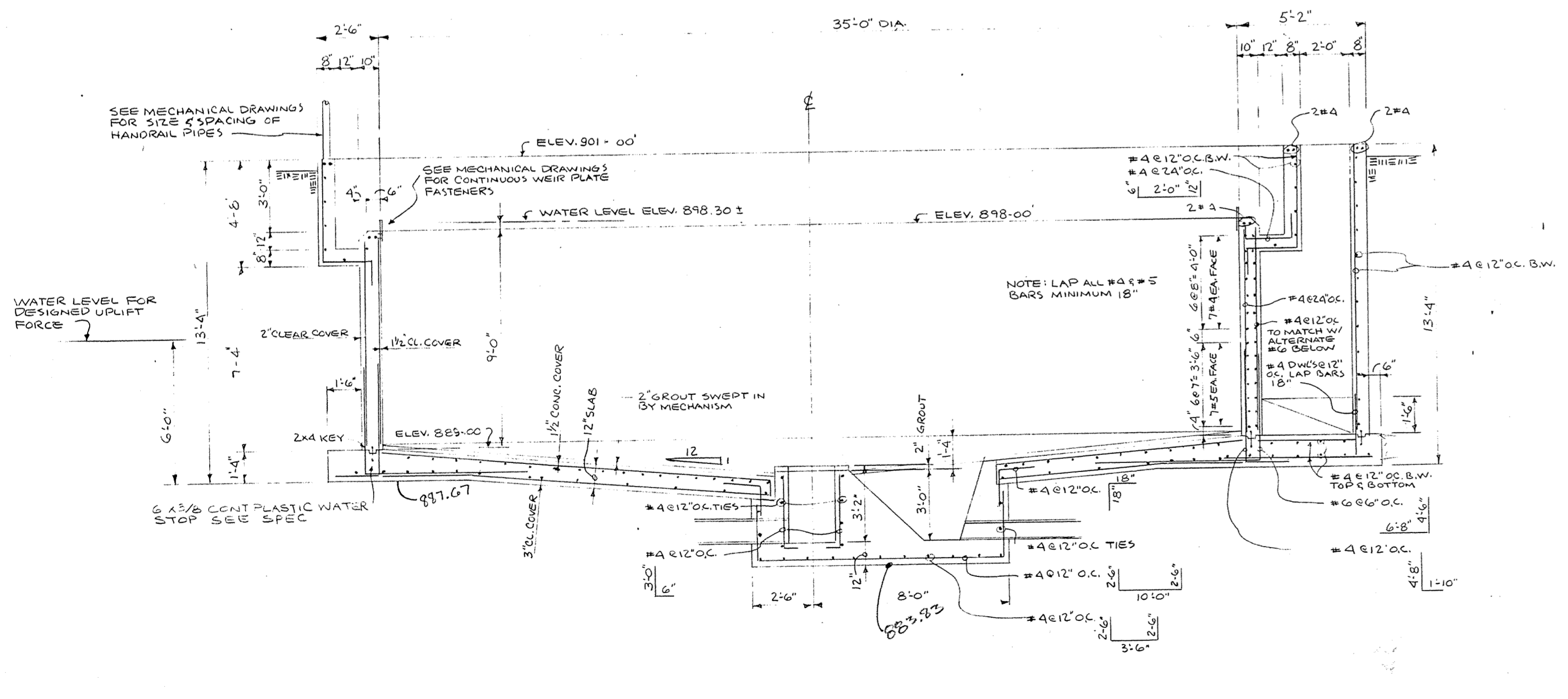
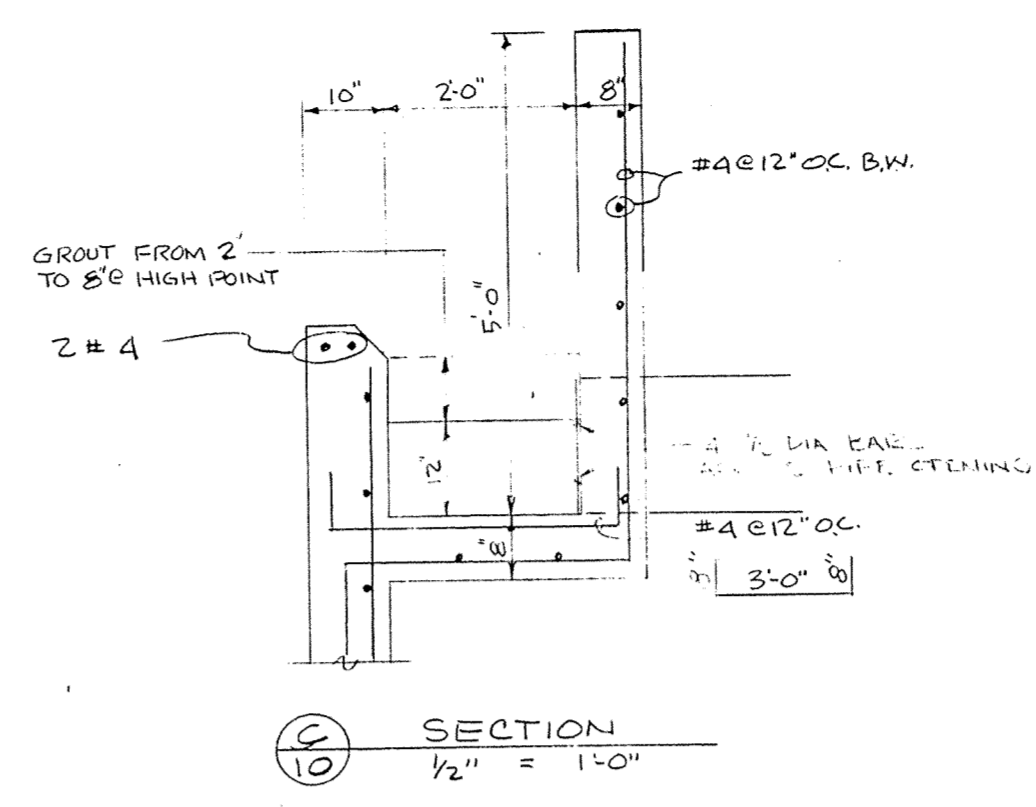
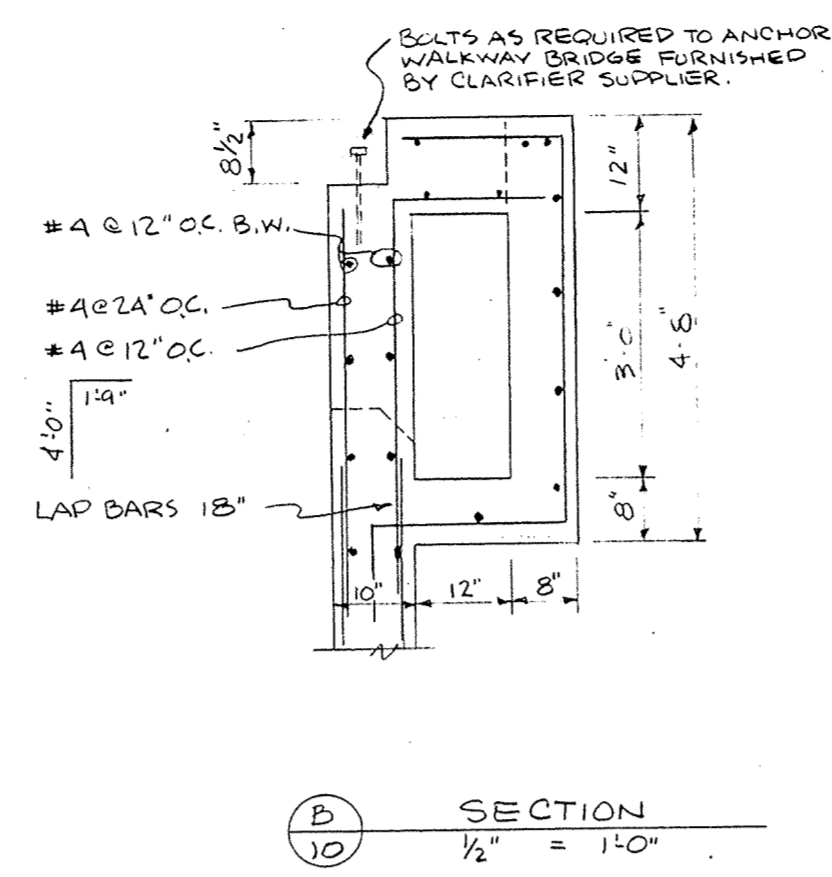


FOUNDATION PLAN



SECTION A-A  
 1/4" = 1'-0"

NO.	DATE	BY	REMARKS

DESIGNED P.P.	CHECKED
DRAWN D.C.	APPROVED
DATE	COMM.

I HEREBY CERTIFY THAT THIS PLAN WAS PREPARED BY ME OR UNDER MY DIRECT SUPERVISION AND THAT I AM A DULY REGISTERED PROFESSIONAL ENGINEER UNDER THE LAWS OF THE STATE OF MINNESOTA.  
*David W. Harty*  
 DATE 8-29-75 REG. NO. 7405

**McCOMBS-KNUTSON ASSOCIATES, INC.**  
 CONSULTING ENGINEERS ■ LAND SURVEYORS ■ SITE PLANNERS  
 MINNEAPOLIS, HUTCHINSON and MARSHALL, MINNESOTA

**WASTE WATER TREATMENT FACILITIES**  
 FOR  
**ELK RIVER, MINNESOTA**

SCALE AS NOTED
BOOK PAGE
FILE NO. 2603

**STRUCTURAL PLAN**  
**SECONDARY CLARIFIERS**  
**NO. 1 AND NO. 2**

SHEET 10	REV. A
OF 31	