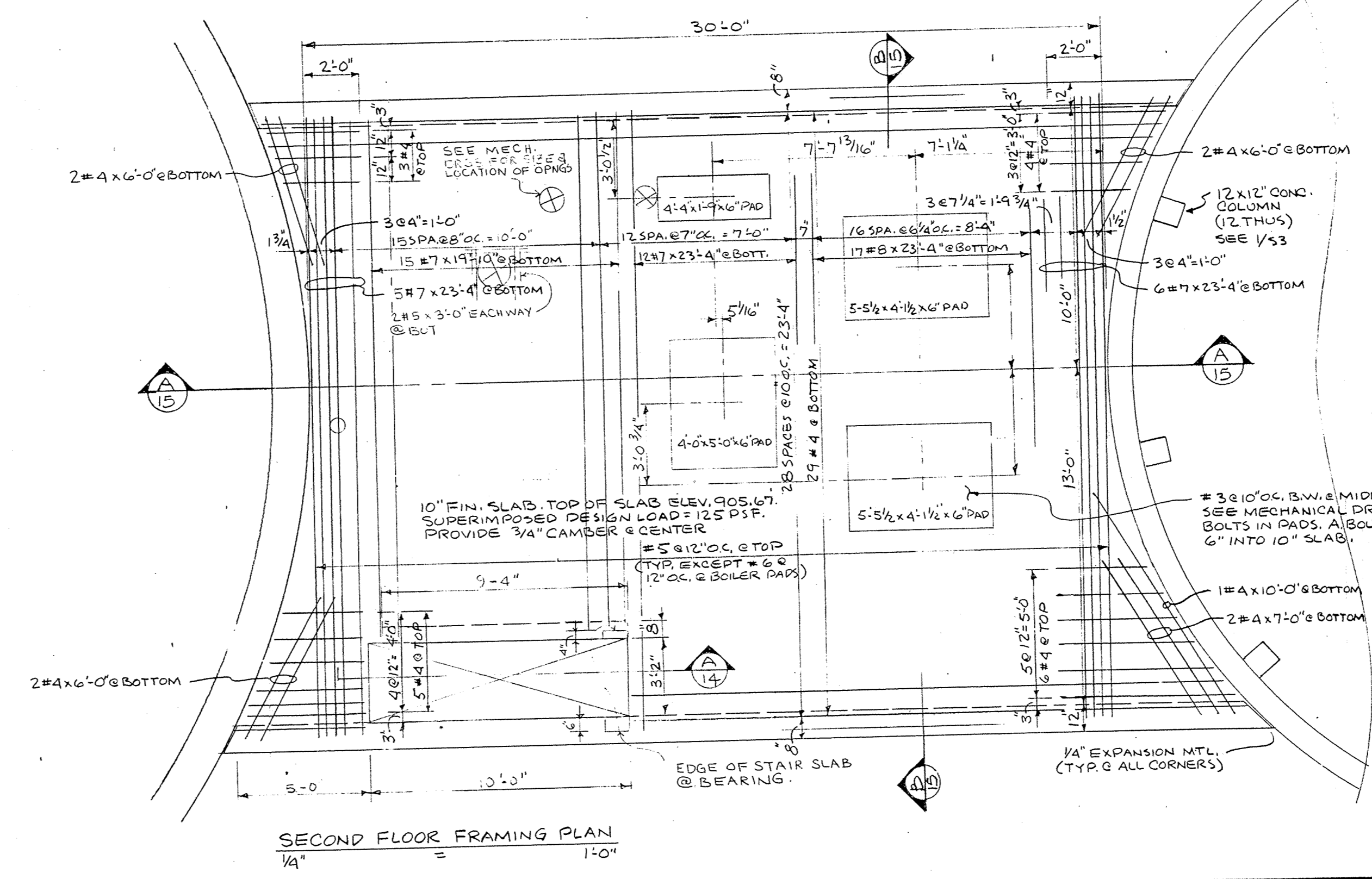
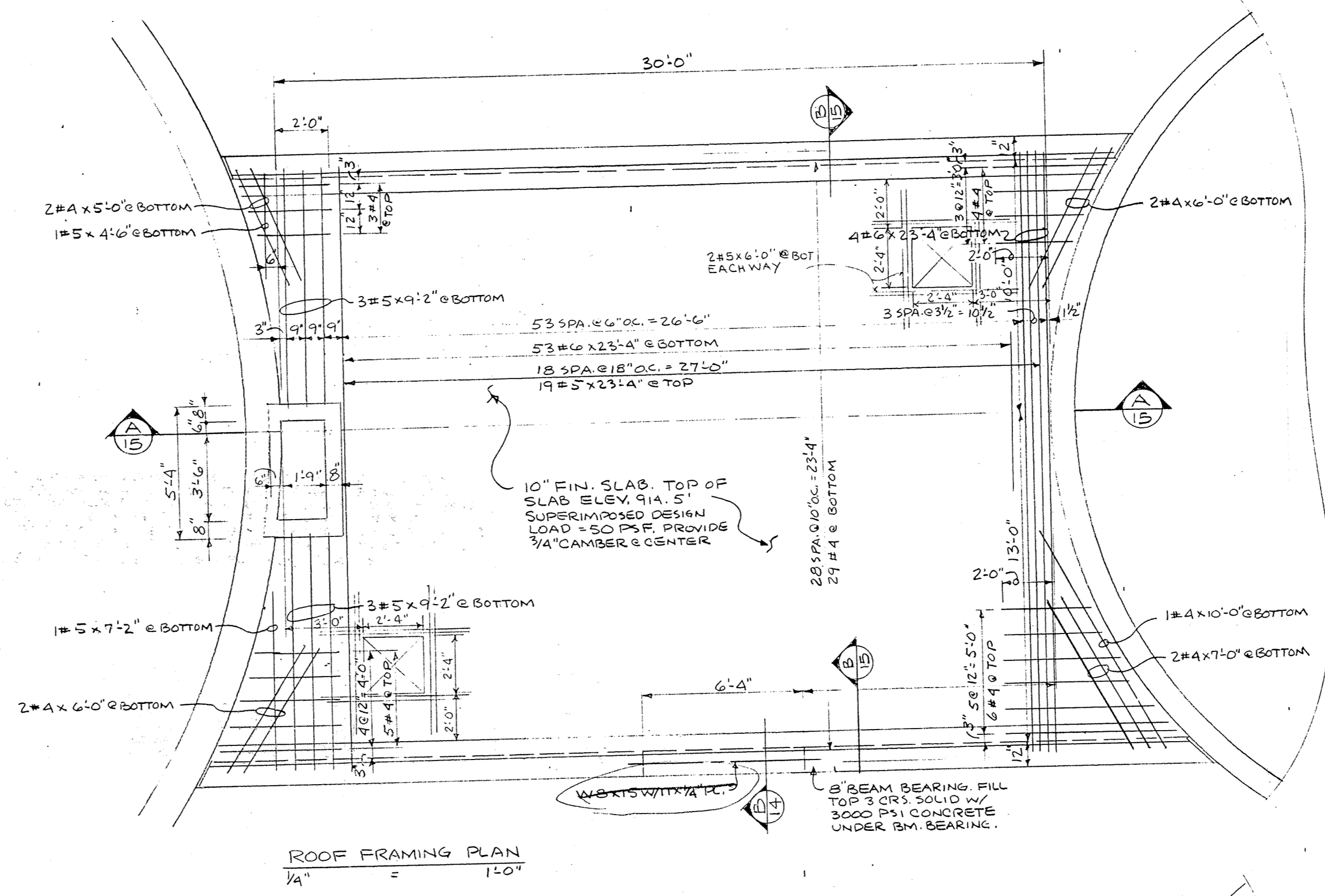
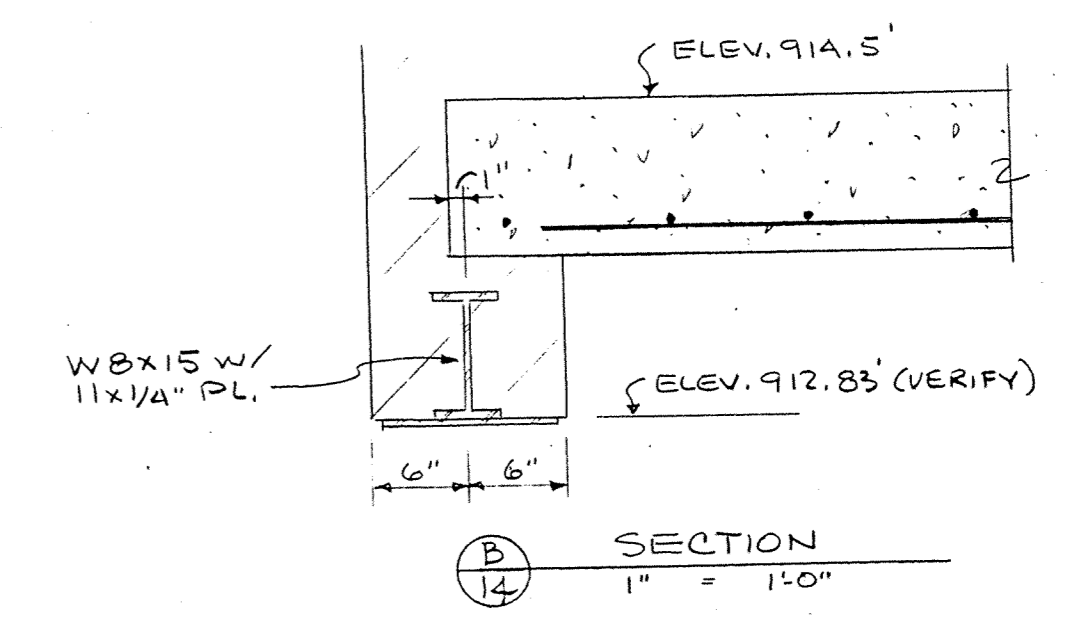


NOTE:
 THE ROOF & FLOOR SLAB CONCRETE SHALL BE 4000 P.S.I.
 ALL OTHER CONCRETE SHALL BE 3000 P.S.I. ALL THE
 REINFORCEMENT IN ROOF & FLOOR SLAB SHALL BE
 ASTM A-615 GRADE 40



NO.	DATE	BY	REVISIONS

DESIGNED P.P.	CHECKED
DRAWN D.C.	APPROVED
DATE	COMM.

I HEREBY CERTIFY THAT THIS PLAN WAS PREPARED BY ME OR UNDER MY DIRECT SUPERVISION AND THAT I AM A DULY REGISTERED PROFESSIONAL ENGINEER UNDER THE LAWS OF THE STATE OF MINNESOTA.
Shirley W. Dargatzis
 DATE 8-29-75 REG. NO. 7405

MCCOMBS-KNUTSON ASSOCIATES, INC.
 CONSULTING ENGINEERS ■ LAND SURVEYORS ■ SITE PLANNERS
 MINNEAPOLIS, HUTCHINSON and MARSHALL, MINNESOTA

WASTE WATER TREATMENT FACILITIES
 FOR
ELK RIVER, MINNESOTA

SCALE AS NOTED	BOOK	PAGE
FILE NO.	2603	

**STRUCTURAL FRAMING
 PLANS - DIGESTER
 AND DIGESTER
 CONTROL BUILDING**

SHEET	REV.
14	
OF	31

SACFO PRODUCTS • NEW HARB, MINNESOTA
 REPRODUCED BY PART NUMBER 6002
 WASTE 75
 14