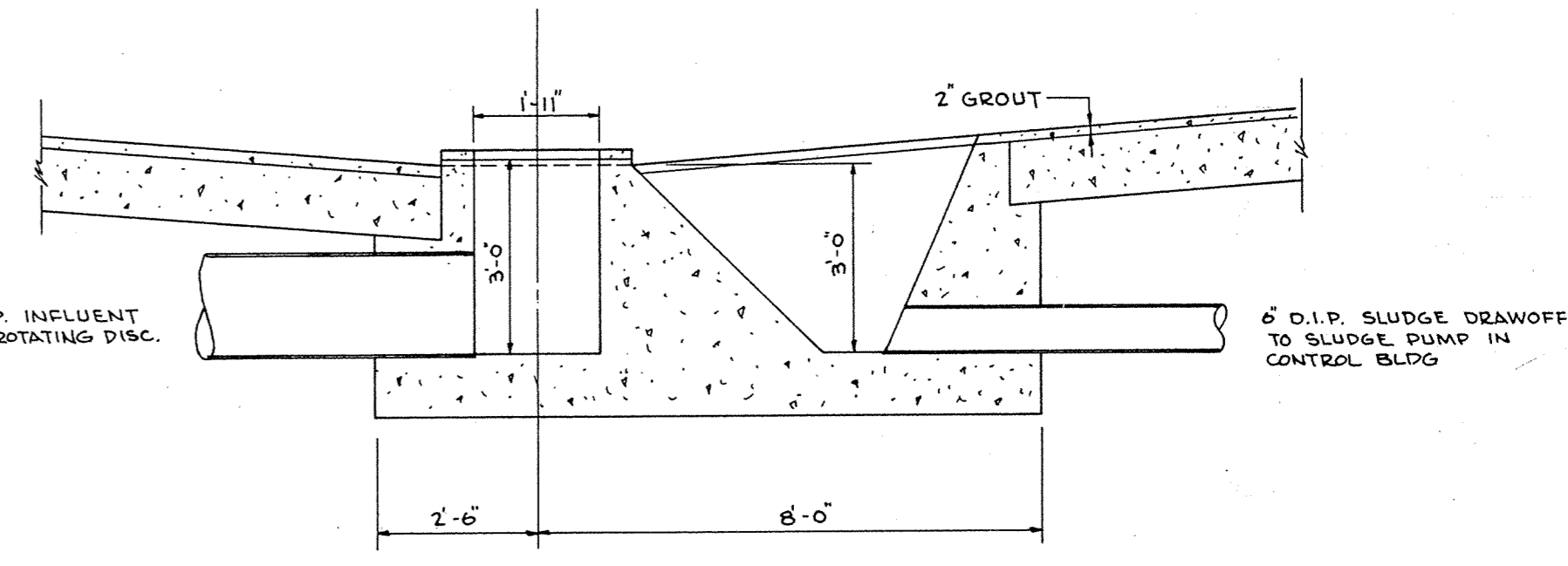
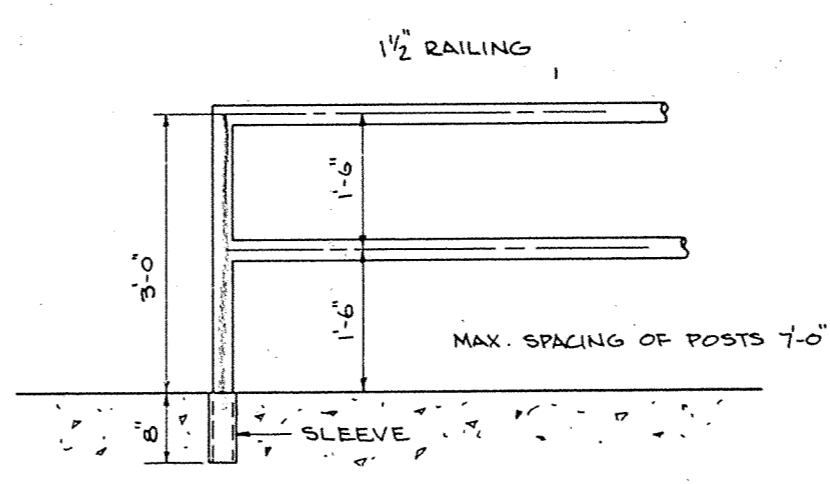


SCUM TROUGH DETAIL 1/23
SCALE: 1/2"=1'-0"

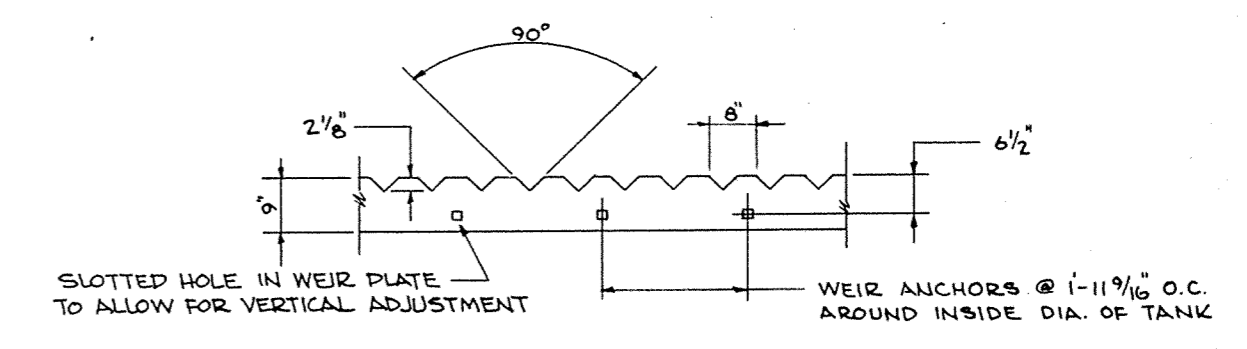
EFFLUENT TROUGH DETAIL 2/23
SCALE: 1/2"=1'-0"



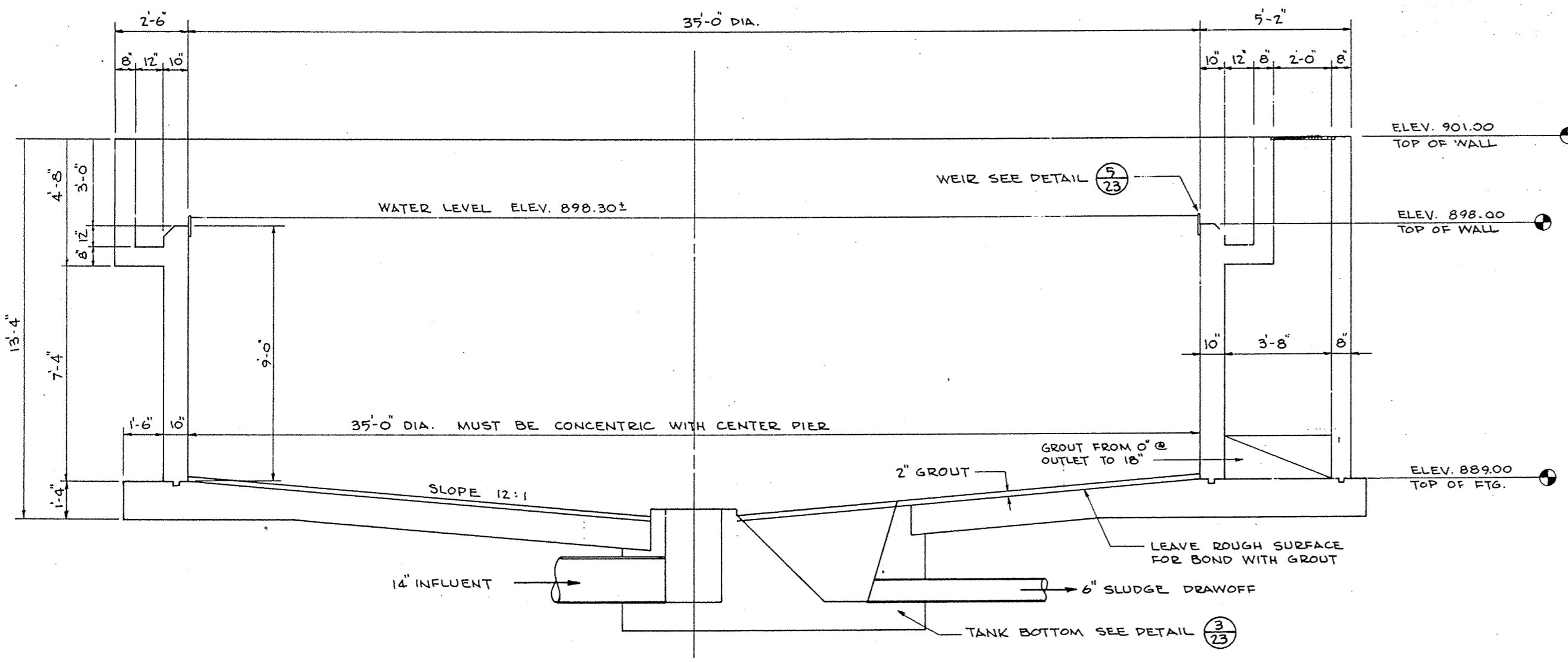
DETAIL AT TANK CENTER 3/23
SCALE: 3/8"=1'-0"



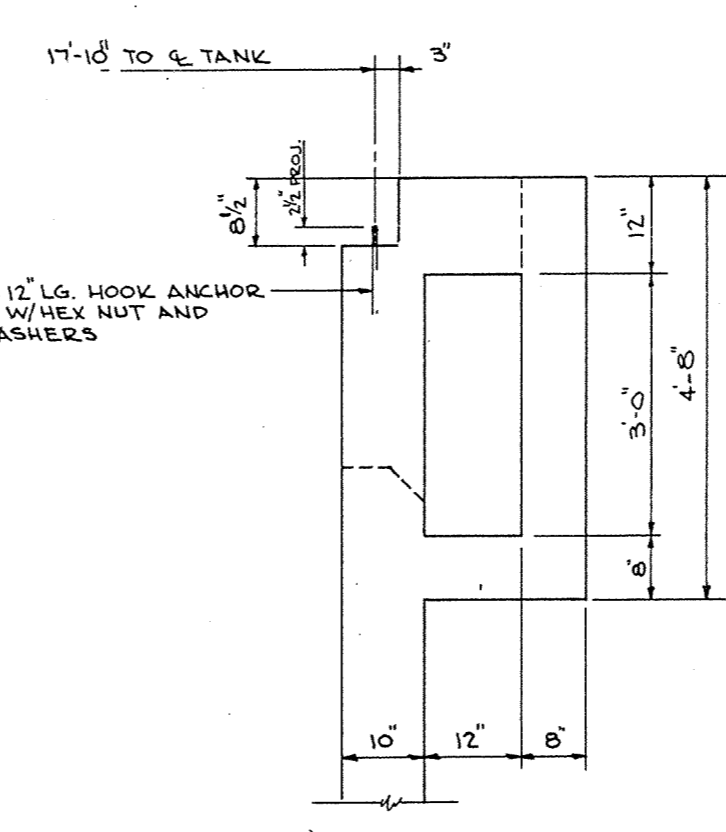
HANDRAIL DETAIL 4/23
NO SCALE



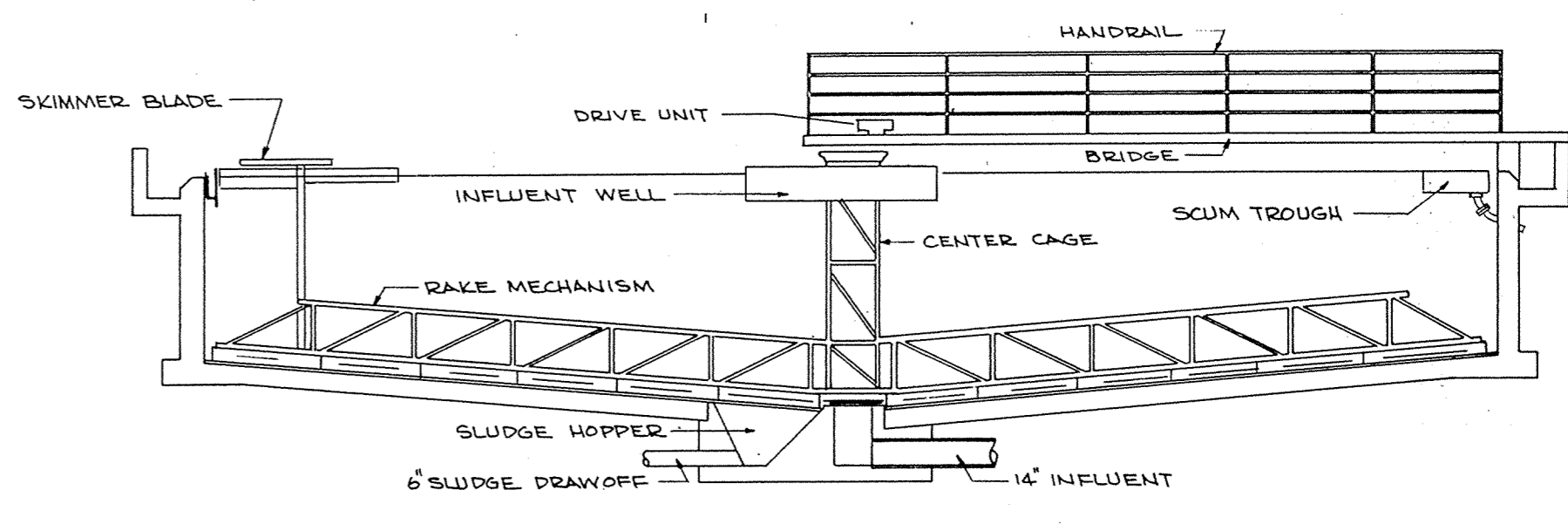
WEIR DETAIL 5/23
SCALE: 3/8"=1'-0"



SECTION A-A
FINAL CLARIFIER
SCALE: 1/2"=1'-0"



BRIDGE LANDING DETAIL 6/23
SCALE: 1/2"=1'-0"



CLARIFIER MECHANISM DETAIL 7/23
NO SCALE

NO.	DATE	BY	REVISIONS
B	2-23-77	J.R.C.	DEEPEENED EFFLUENT CHANNEL
A	7-6-76	J.R.C.	ADDED SKIMMER TO MECHANISM DETAIL

DESIGNED	K.L.V.	CHECKED	K.L.V.
DRAWN	J.R.C.	APPROVED	W.H.M.
DATE	AUG. 11, 1975	COMM.	

I HEREBY CERTIFY THAT THIS PLAN WAS PREPARED BY ME OR UNDER MY DIRECT SUPERVISION AND THAT I AM A DULY REGISTERED PROFESSIONAL ENGINEER UNDER THE LAWS OF THE STATE OF MINNESOTA.

Karen L. Van Gacken
 DATE Aug 29, 1975 REG. NO. 10159

McCOMBS-KNUTSON ASSOCIATES, INC.
 CONSULTING ENGINEERS ■ LAND SURVEYORS ■ SITE PLANNERS
 MINNEAPOLIS, HUTCHINSON and MARSHALL, MINNESOTA

WASTE WATER TREATMENT FACILITIES
 FOR
ELK RIVER, MINNESOTA

SCALE	A5 NOTED
BOOK	PAGE
FILE NO.	2603

MECHANICAL PLAN
FINAL CLARIFIERS
NO. 1 AND NO. 2

SHEET	REV.
23	B
OF	31