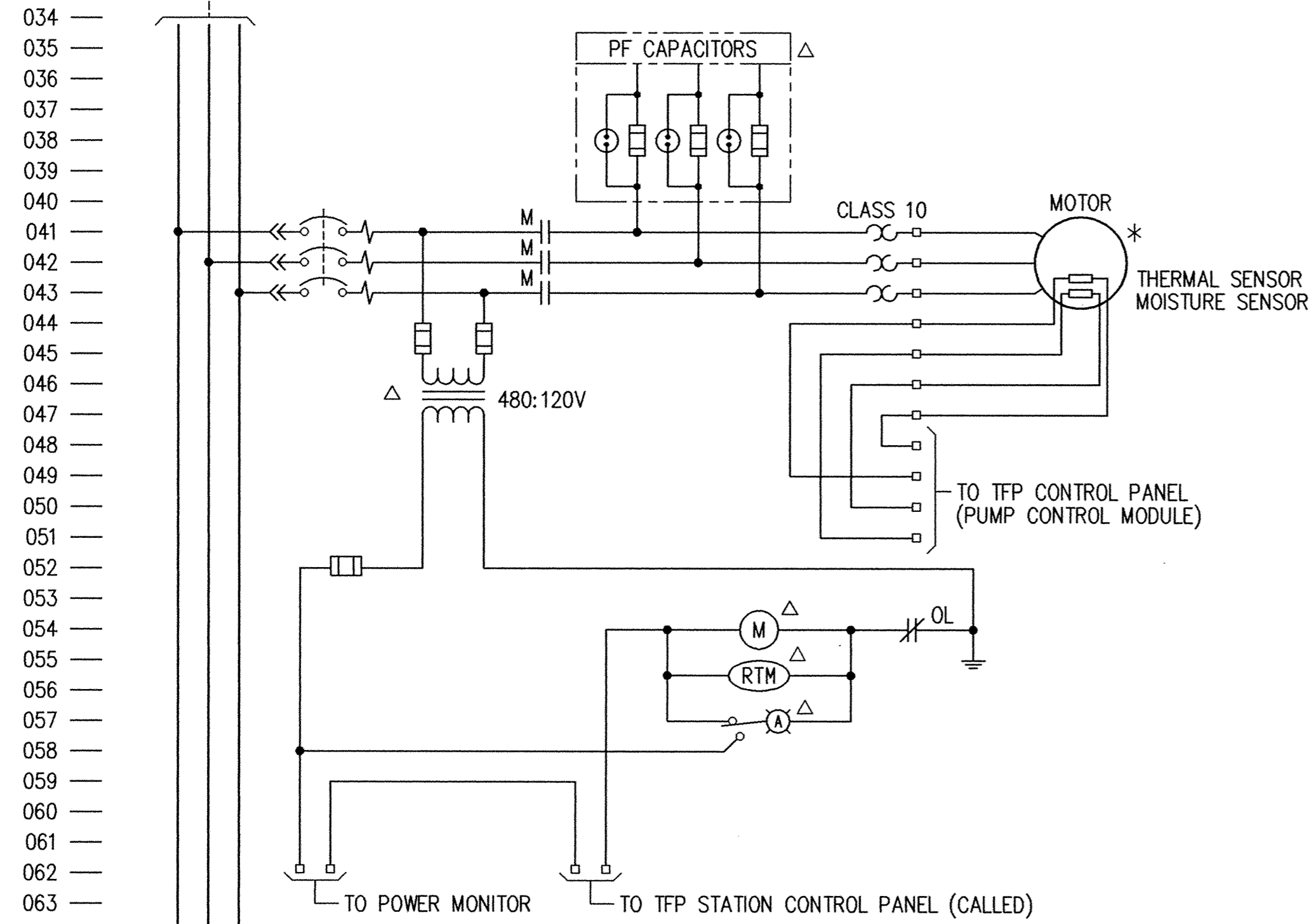
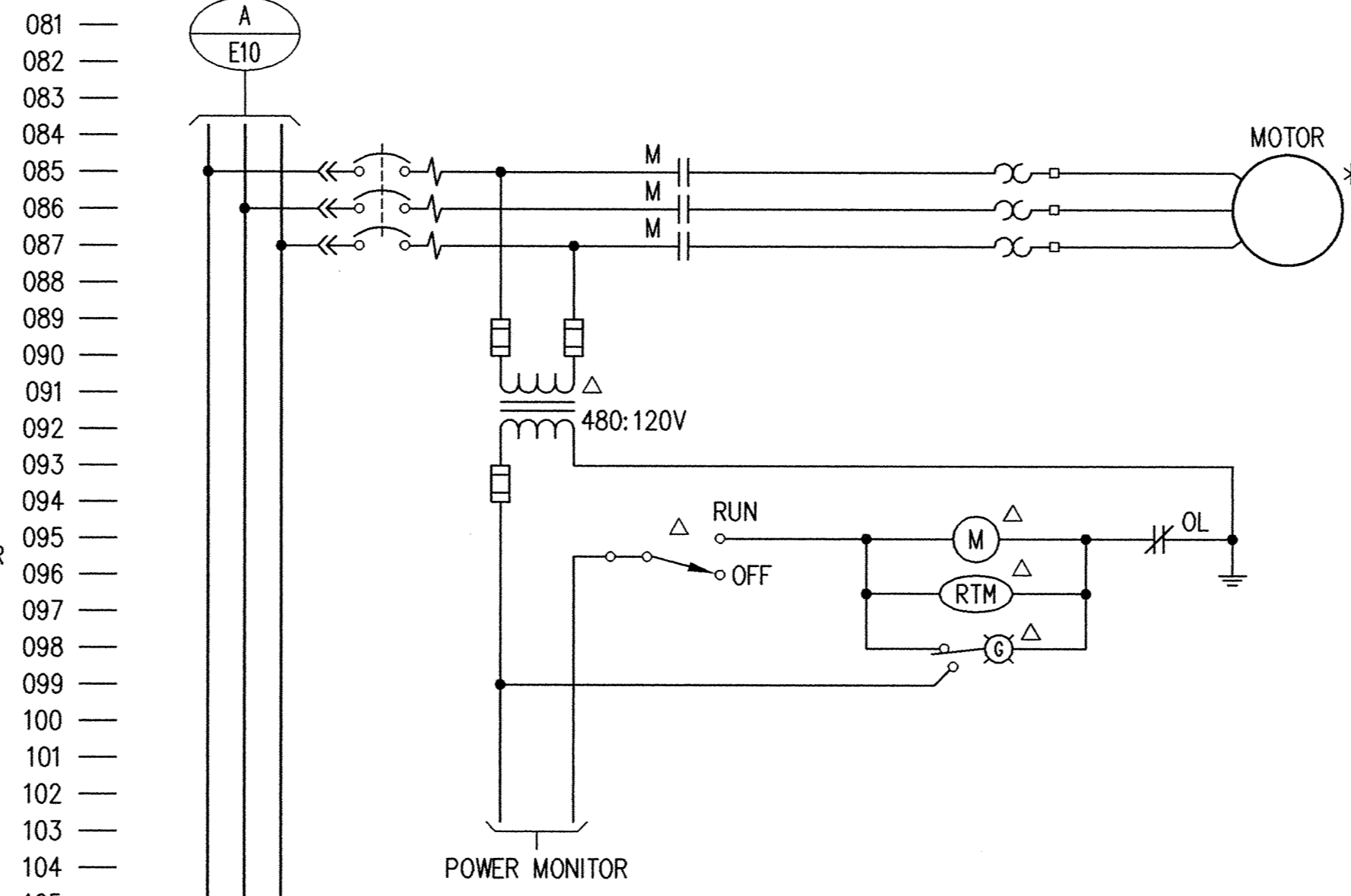


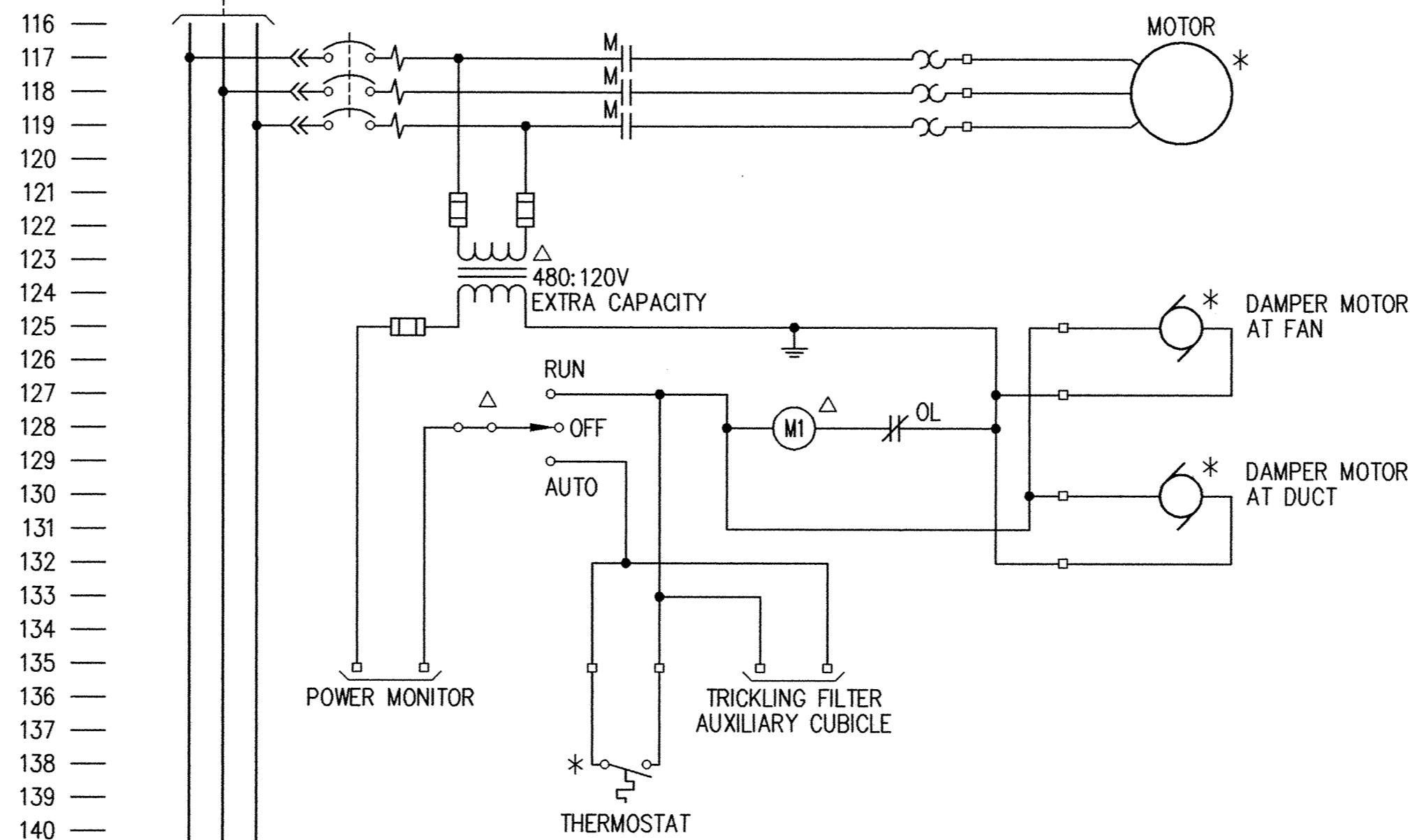
**POWER MONITOR SCHEMATIC**  
NO SCALE



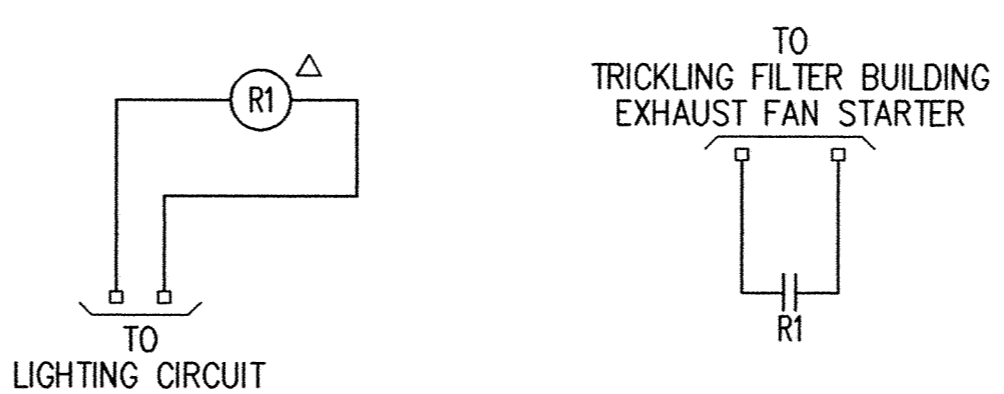
**TRICKLING FILTER PUMP STARTER SCHEMATIC**  
NO SCALE TYPICAL



**TRICKLING FILTER FAN SCHEMATIC**  
NO SCALE



**TRICKLING FILTER BUILDING EXHAUST FAN**  
NO SCALE



**TRICKLING FILTER EXHAUST FAN AUXILIARY CUBICLE**  
NO SCALE

LEGEND	
SYMBOL	DESCRIPTION
△	MOTOR CONTROL CENTER MOUNTED
*	FIELD MOUNTED
◇	CONTROL PANEL MOUNTED

This drawing was prepared by:  
**Handing & Associates, Inc.**  
7300 France Avenue South  
Suite 330  
Minneapolis, MN 55435  
Telephone: (612) 831-0317  
Fax: (612) 831-2179

I HEREBY CERTIFY THAT THIS PLAN, SPECIFICATION, OR REPORT WAS PREPARED BY ME OR UNDER MY DIRECT SUPERVISION AND THAT I AM A DULY REGISTERED PROFESSIONAL ENGINEER UNDER THE LAWS OF THE STATE OF MINNESOTA.  
*Lawrence M. Handing*  
DATE: March 1994 REG. NO. 9955



1326 ENERGY PARK DRIVE  
ST. PAUL, MINNESOTA 55108  
(612) 644-4389  
  
9800 SHELARD PARKWAY  
MINNEAPOLIS, MINNESOTA 55441  
(612) 546-0432

DATE	DESCRIPTION	DESIGNED PFK

**CITY OF ELK RIVER**  
WASTEWATER TREATMENT FACILITIES  
MCC SCHEMATICS

**E10**