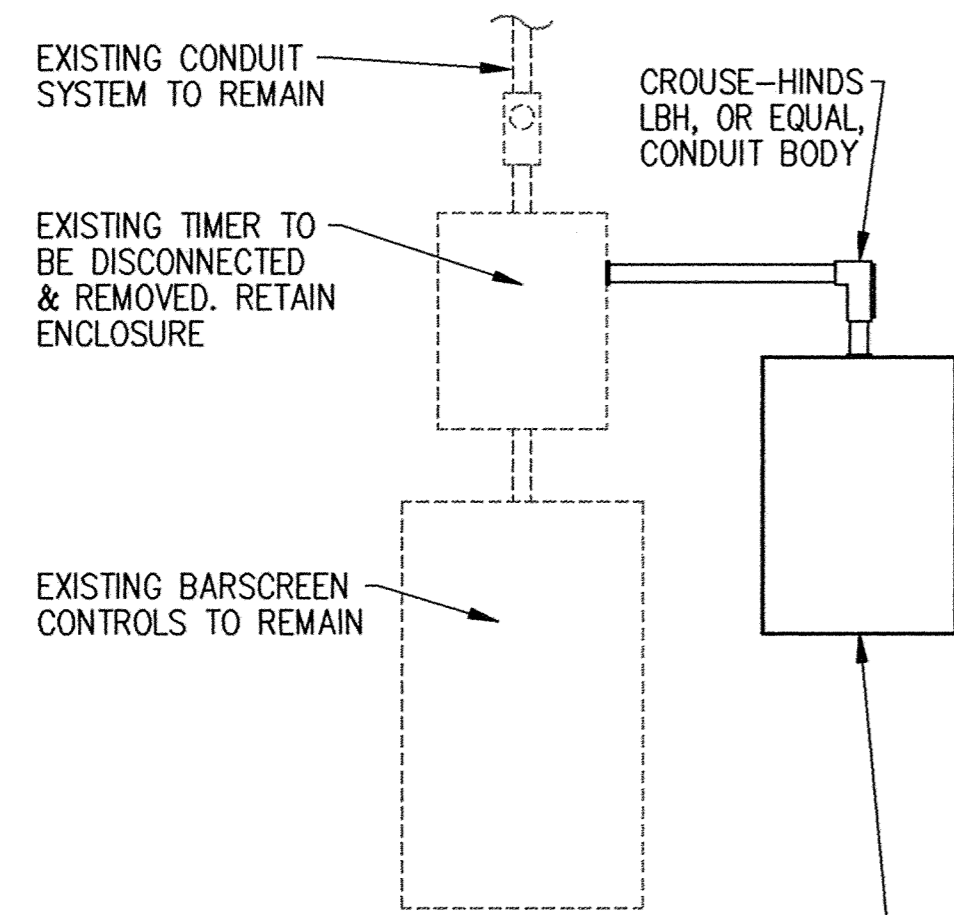
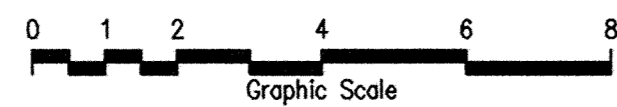


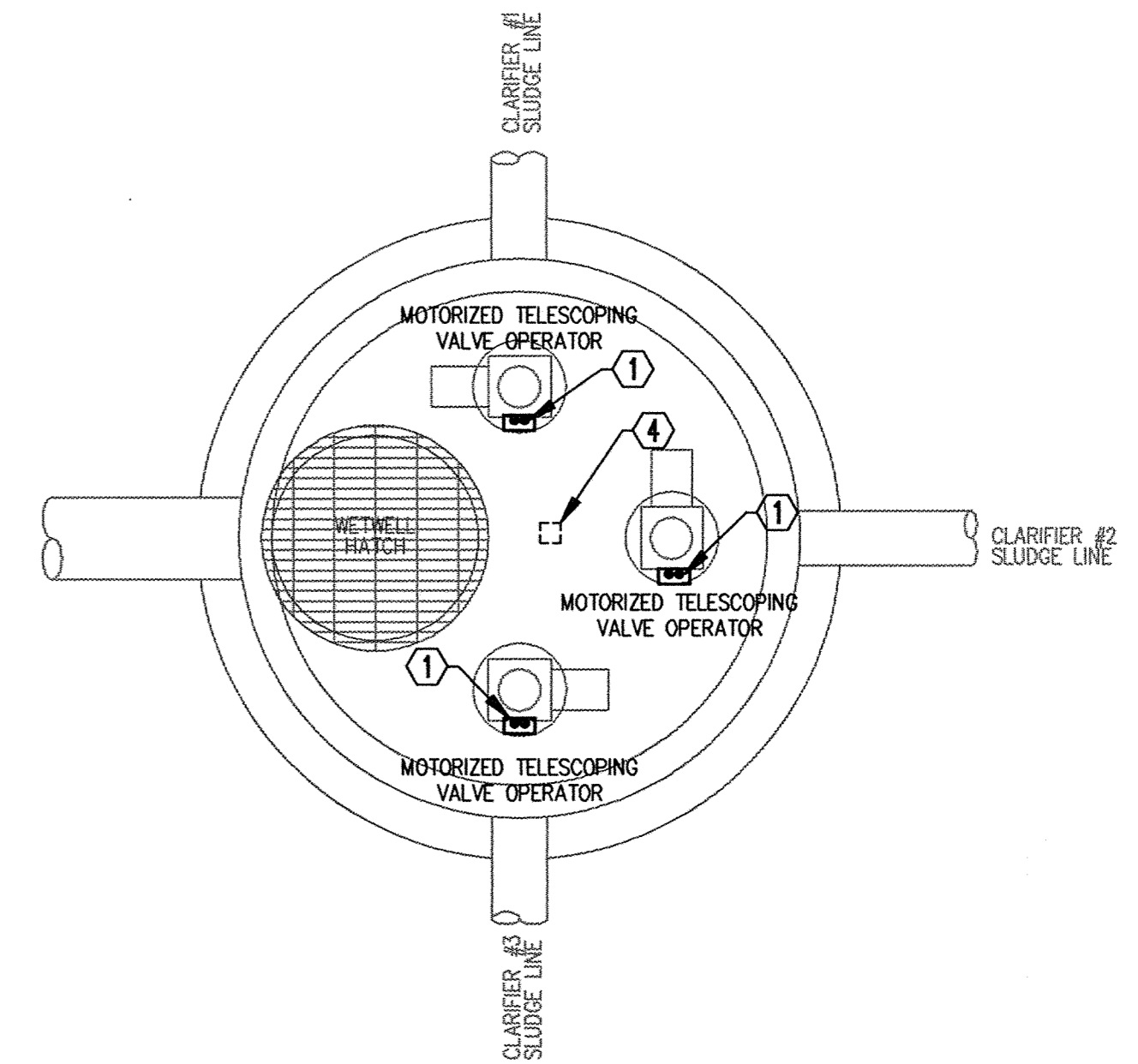
THIS AREA SHALL BE CONSIDERED A CLASS 1, DIVISION 2 ENVIRONMENT. ALL EQUIPMENT IN THIS AREA SHALL BE SUITABLE FOR USE IN A RATED ENVIRONMENT

EXISTING PRE-TREATMENT BUILDING MODIFICATION PLAN
SCALE: 3/8"=1'-0"
SEE SHEET S5 FOR ADDITIONAL BUILDING INFORMATION

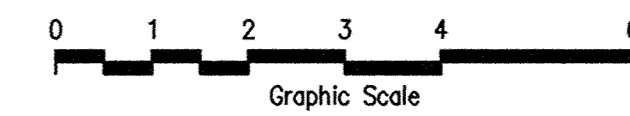


OZ #YE-080804, NEMA 7 JUNCTION BOX W/ PARAGON #EC11D TIMER. CONFIRM MOMENTARY CONTACT REQUIREMENTS & DIMENSIONS. CONNECT TO INITIATE BARSCREEN BY TIMER

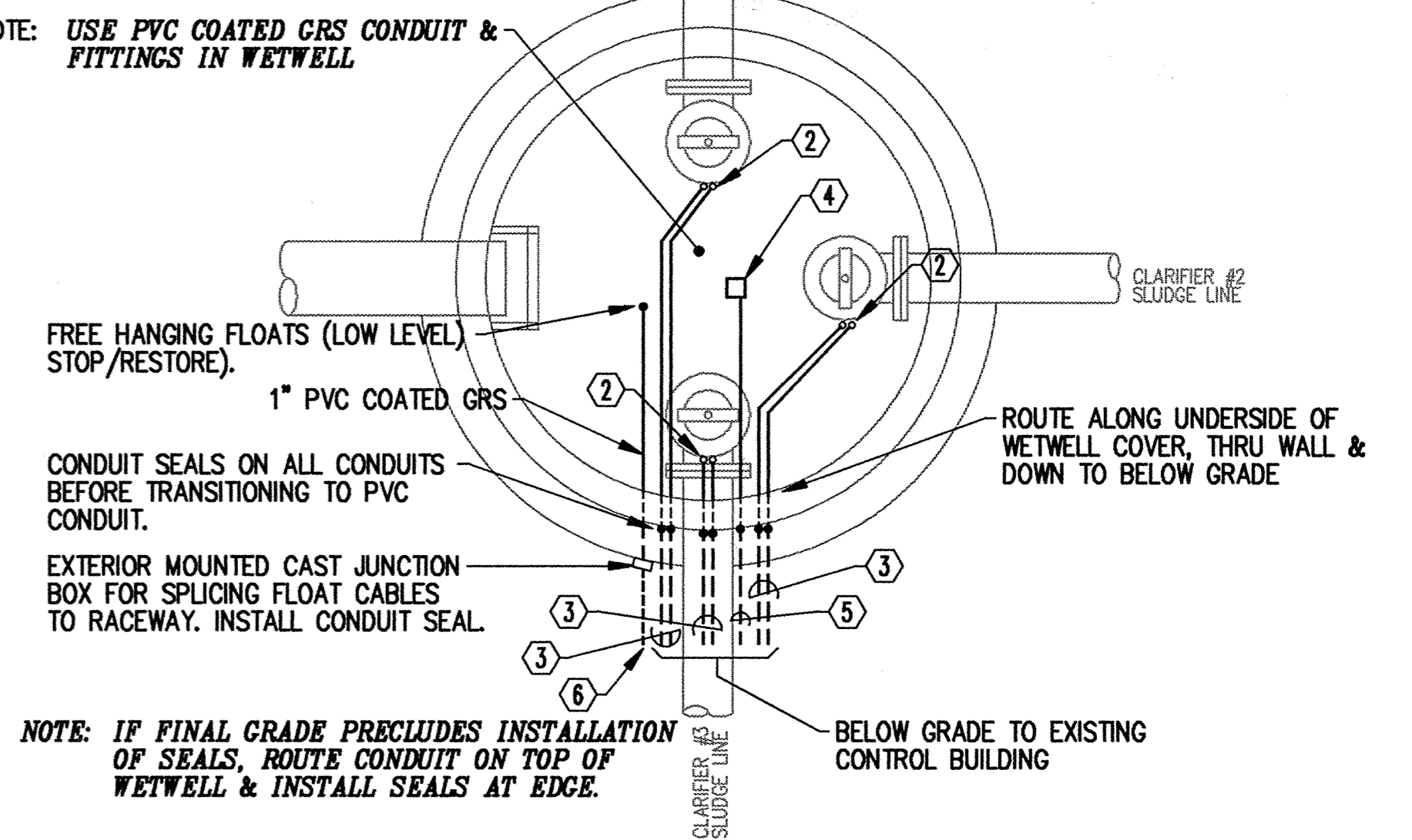
PRELIMINARY TREATMENT BUILDING BARSCREEN CONTROL REVISIONS
NO SCALE



FINAL CLARIFIER SLUDGE WETWELL ELECTRICAL GRADE LEVEL PLAN
SCALE: 1/2"=1'-0"

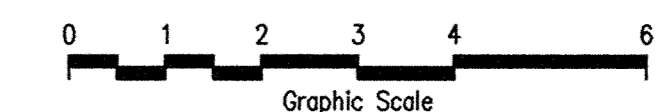


NOTE: USE PVC COATED GRS CONDUIT & FITTINGS IN WETWELL



NOTE: IF FINAL GRADE PRECLUDES INSTALLATION OF SEALS, ROUTE CONDUIT ON TOP OF WETWELL & INSTALL SEALS AT EDGE.

FINAL CLARIFIER SLUDGE WETWELL ELECTRICAL BELOW GRADE PLAN
SCALE: 1/2"=1'-0"



NUMBERED NOTES

- ① ROUTE FROM VALVE OPERATOR DOWN THRU SLAB, THEN ALONG UNDERSIDE OF COVER SLAB (SEE BELOW GRADE PLAN, THIS SHEET)
- ② UP TO VALVE OPERATOR (SEE GRADE LEVEL PLAN, THIS SHEET)
- ③ VALVE OPERATOR CONDUITS: ONE FOR POWER WIRING & ONE FOR SIGNAL WIRING
- ④ LEVEL TRANSDUCER & TEMP COMPENSATION MOUNTED TO UNDERSIDE OF WETWELL COVER. SEE SCHEMATIC, SHEET E16
- ⑤ 2-2/C-SIGNAL-1" FROM ULTRASONIC TRANSDUCER & TEMP COMPENSATION TO NEW CONTROL PANEL IN EXISTING CONTROL BUILDING
- ⑥ 3-1/C-#14-1" FROM CONTROL PANEL IN CONTROL BUILDING FOR FLOATS.

This drawing was prepared by:
Kandig & Associates, Inc.
7300 France Avenue South
Suite 330
Minneapolis, MN 55435
Telephone: (612) 831-0317
Fax: (612) 831-2179

I HEREBY CERTIFY THAT THIS PLAN, SPECIFICATION, OR REPORT WAS PREPARED BY ME OR UNDER MY DIRECT SUPERVISION AND THAT I AM A DULY REGISTERED PROFESSIONAL ENGINEER UNDER THE LAWS OF THE STATE OF MINNESOTA.
[Signature]
DATE: 06 OCT 95 REG. NO. 9955



1326 ENERGY PARK DRIVE
ST. PAUL, MINNESOTA 55108
(612) 644-4389

5075 WAYZATA BLVD. SUITE 225
MINNEAPOLIS, MINNESOTA 55441
(612) 546-0432

DATE	DESCRIPTION	DESIGNED	PPK
		CHECKED	PPK
		DRAWN	CPM
GRAPHIC SCALE			
0 HORIZ.			
0 VERT.			

CITY OF ELK RIVER
WASTEWATER TREATMENT FACILITIES
FINAL CLARIFIER SLUDGE WETWELL ELECTRICAL PLAN

E17