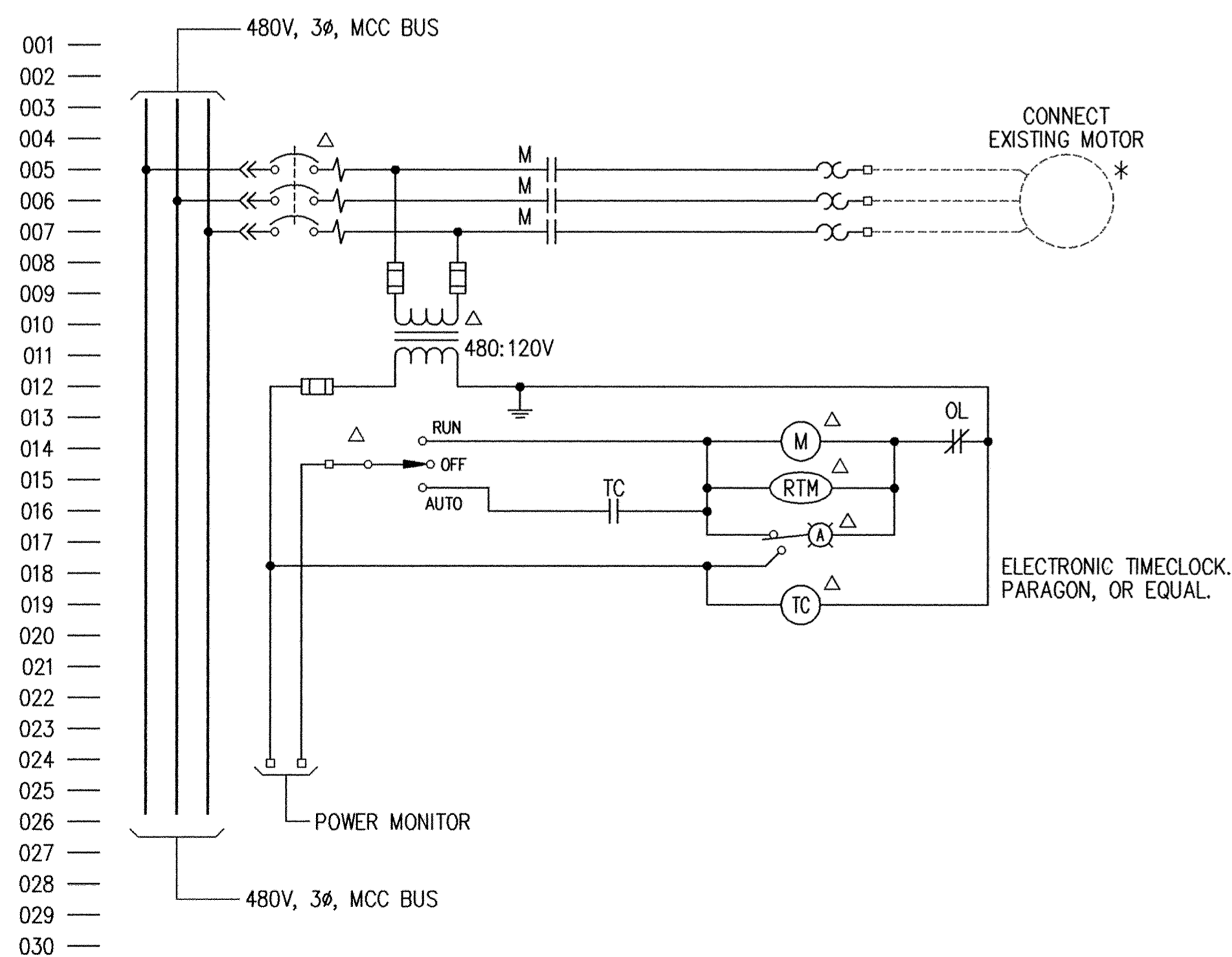
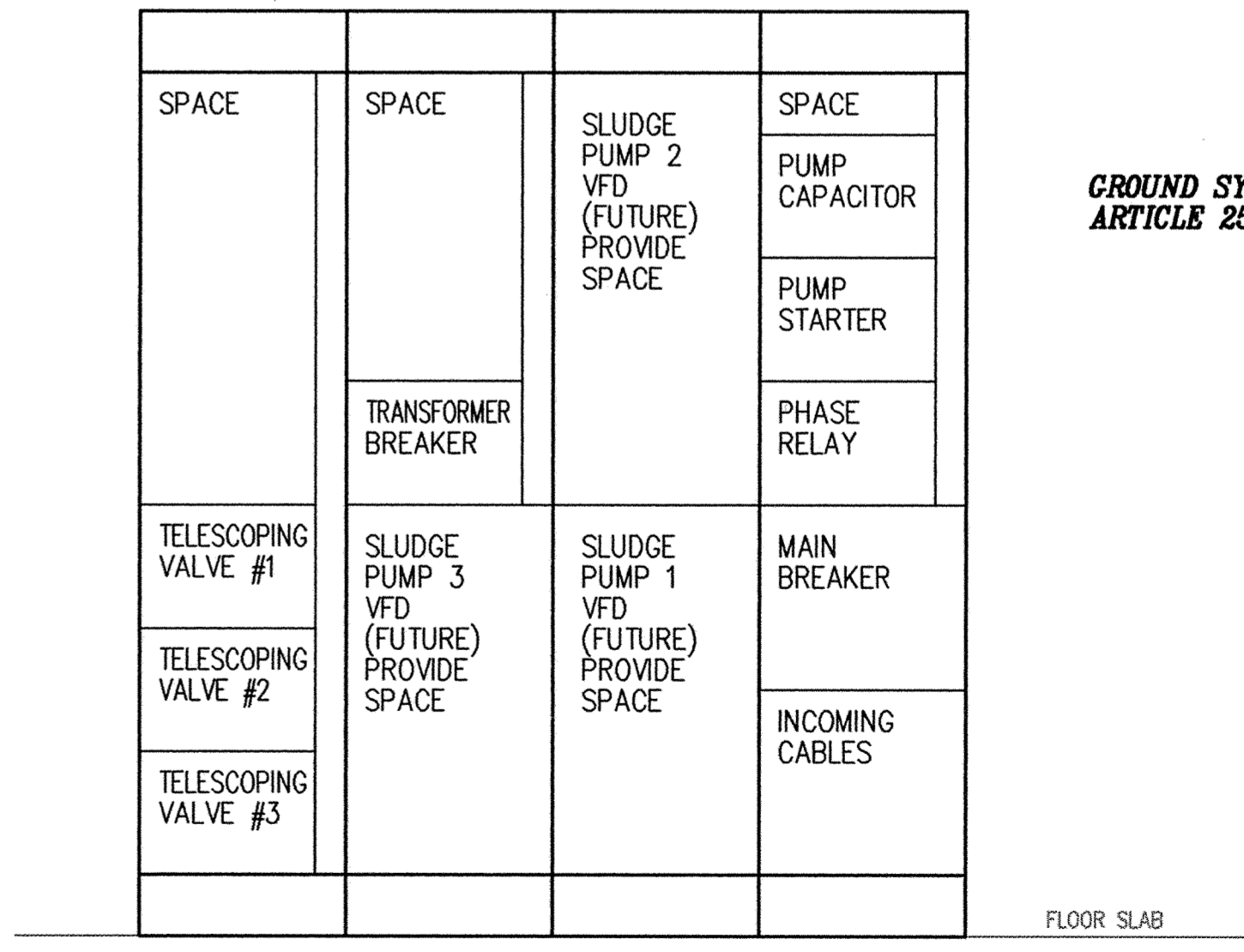


CONTROL BUILDING MOTOR CONTROL CENTER (MCCC) ONE-LINE DIAGRAM
NO SCALE

PROVIDE SPACE IN MCC FOR FUTURE INSTALLATION OF VARIABLE FREQUENCY DRIVES.



EXISTING SLUDGE PUMP SCHEMATIC
NO SCALE



MOTOR CONTROL CENTER (MCCC) ELEVATION
NO SCALE SUGGESTED LAYOUT

LEGEND	
SYMBOL	DESCRIPTION
△	MOTOR CONTROL CENTER MOUNTED
*	FIELD MOUNTED
◇	CONTROL PANEL MOUNTED

This drawing was prepared by:
Kaeding & Associates, Inc.
7300 France Avenue South
Suite 330
Minneapolis, MN 55435
Telephone: (612) 831-0317
Fax: (612) 831-2179

I HEREBY CERTIFY THAT THIS PLAN, SPECIFICATION, OR REPORT WAS PREPARED BY ME OR UNDER MY DIRECT SUPERVISION AND THAT I AM A DULY REGISTERED PROFESSIONAL ENGINEER UNDER THE LAWS OF THE STATE OF MINNESOTA.

[Signature]
DATE 06 OCT 95 REG. NO. 9955

MSA
CONSULTING ENGINEERS

1326 ENERGY PARK DRIVE
ST. PAUL, MINNESOTA 55108
(612) 644-4389

5075 WAYZATA BLVD. SUITE 225
MINNEAPOLIS, MINNESOTA 55441
(612) 546-0432

REVISIONS	DATE	DESCRIPTION	DESIGNED	PFK

GRAPHIC SCALE
0 HORIZ.
0 VERT.

CITY OF ELK RIVER
WASTEWATER TREATMENT FACILITIES
CONTROL BUILDING (MCCC) ONE-LINE DIAGRAM

E15

DATE OCT 1995 SHEET 101 OF 112 SHEETS PROJECT NO. 230-151