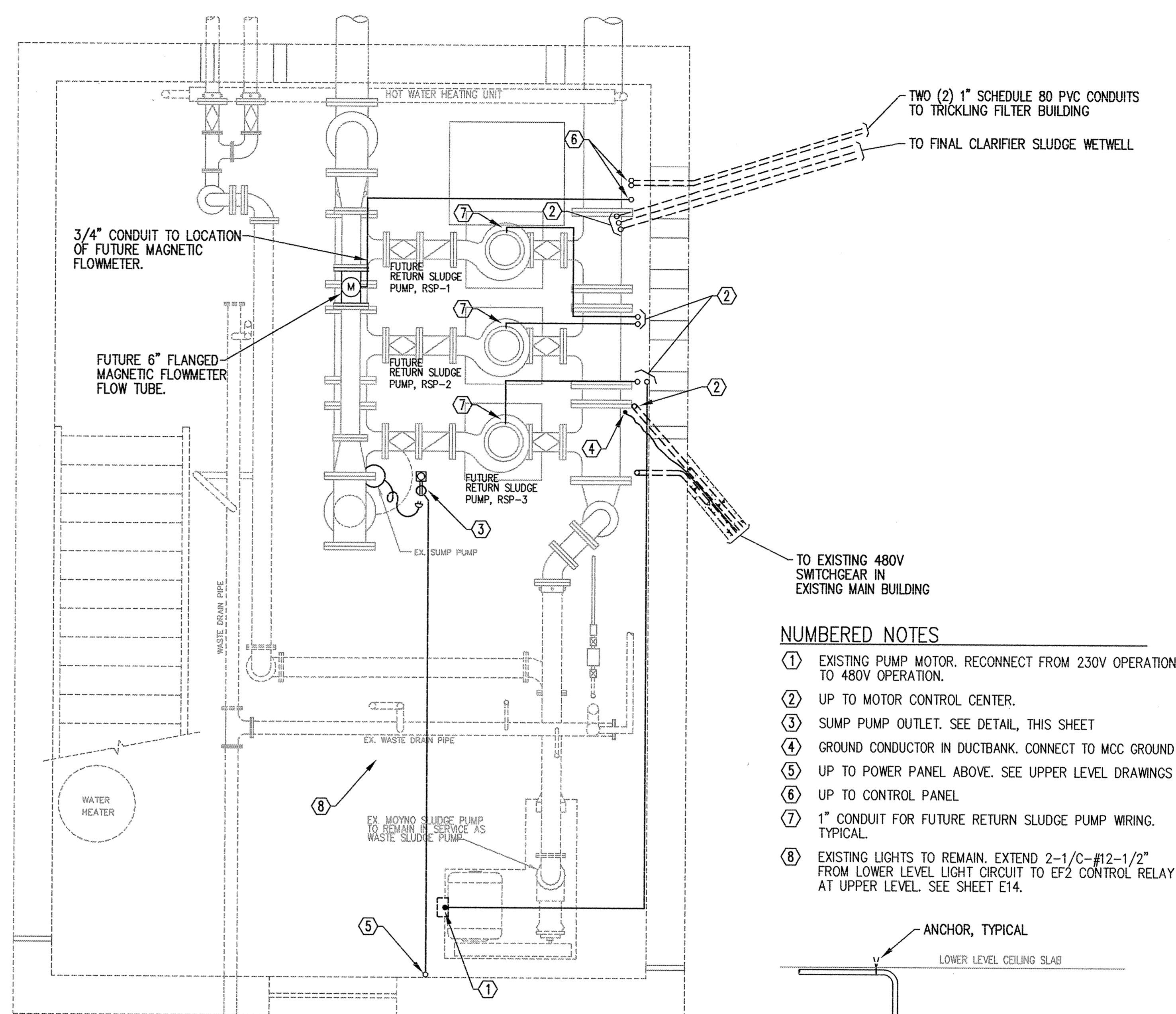
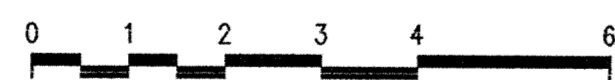
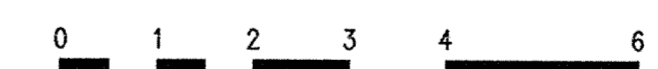


North
CONTROL BUILDING EXISTING ELECTRICAL PLAN
 SCALE: 1/2"=1'-0"
 LOWER LEVEL



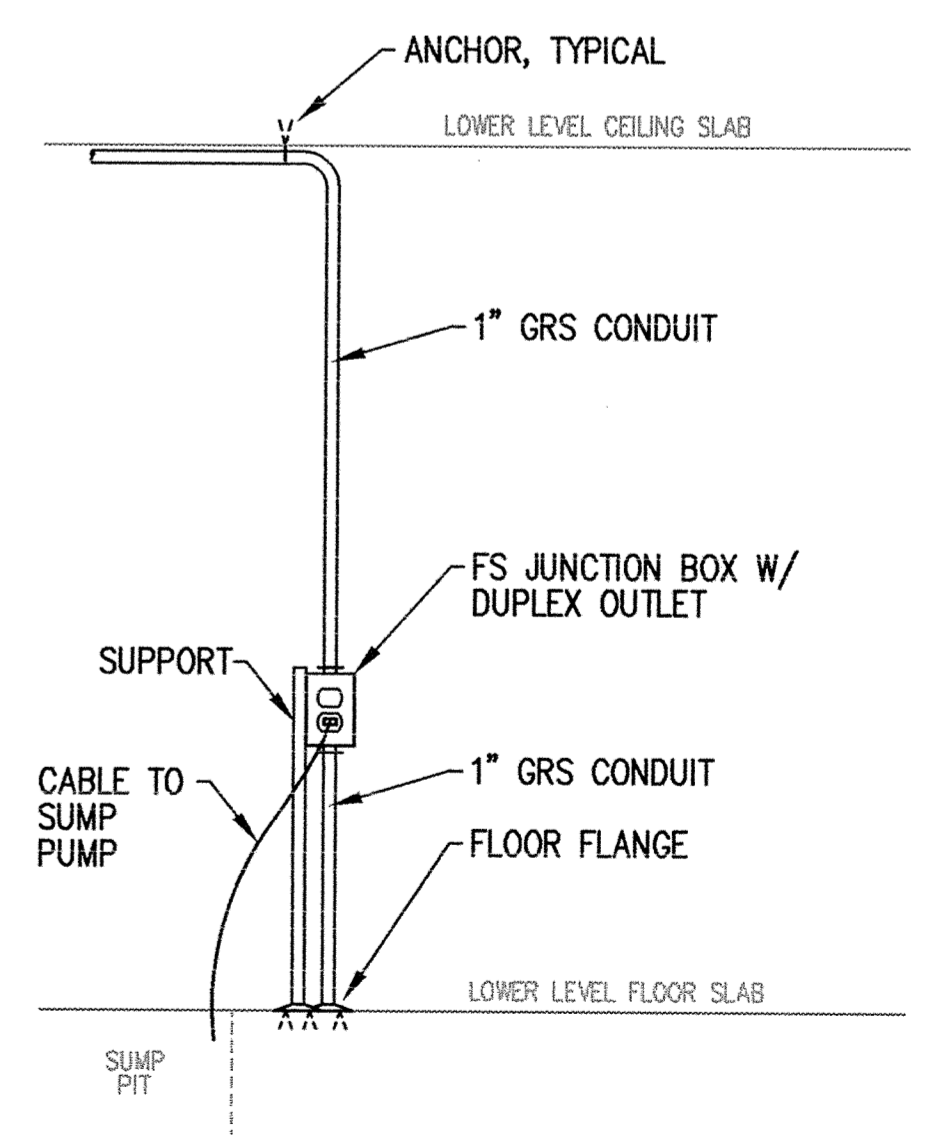
North
CONTROL BUILDING ELECTRICAL MODIFICATION PLAN
 SCALE: 1/2"=1'-0"
 LOWER LEVEL



TWO (2) 1" SCHEDULE 80 PVC CONDUITS TO TRICKLING FILTER BUILDING TO FINAL CLARIFIER SLUDGE WETWELL

TO EXISTING 480V SWITCHGEAR IN EXISTING MAIN BUILDING

- NUMBERED NOTES**
- ① EXISTING PUMP MOTOR. RECONNECT FROM 230V OPERATION TO 480V OPERATION.
 - ② UP TO MOTOR CONTROL CENTER.
 - ③ SUMP PUMP OUTLET. SEE DETAIL, THIS SHEET
 - ④ GROUND CONDUCTOR IN DUCTBANK. CONNECT TO MCC GROUND
 - ⑤ UP TO POWER PANEL ABOVE. SEE UPPER LEVEL DRAWINGS
 - ⑥ UP TO CONTROL PANEL
 - ⑦ 1" CONDUIT FOR FUTURE RETURN SLUDGE PUMP WIRING. TYPICAL
 - ⑧ EXISTING LIGHTS TO REMAIN. EXTEND 2-1/C-#12-1/2" FROM LOWER LEVEL LIGHT CIRCUIT TO EF2 CONTROL RELAY AT UPPER LEVEL. SEE SHEET E14.



SUMP PUMP OUTLET DETAIL
 NO SCALE

This drawing was prepared by:
 Kaeding & Associates, Inc.
 7300 France Avenue South
 Suite 330
 Minneapolis, MN 55435
 Telephone: (612) 831-0317
 Fax: (612) 831-2179

I HEREBY CERTIFY THAT THIS PLAN, SPECIFICATION, OR REPORT WAS PREPARED BY ME OR UNDER MY DIRECT SUPERVISION AND THAT I AM A DULY REGISTERED PROFESSIONAL ENGINEER UNDER THE LAWS OF THE STATE OF MINNESOTA.

 DATE 06 OCT 95 REG. NO. 9955



1326 ENERGY PARK DRIVE
 ST. PAUL, MINNESOTA 55108
 (612) 644-4389
 5075 WAYZATA BLVD. SUITE 225
 MINNEAPOLIS, MINNESOTA 55441
 (612) 546-0432

REVISIONS	DATE	DESCRIPTION	DESIGNED	PK	CHECKED	PK

GRAPHIC SCALE
 0 HORIZ.
 0 VERT.

CITY OF ELK RIVER
 WASTEWATER TREATMENT FACILITIES
 CONTROL BUILDING ELECTRICAL MODIFICATIONS

E13