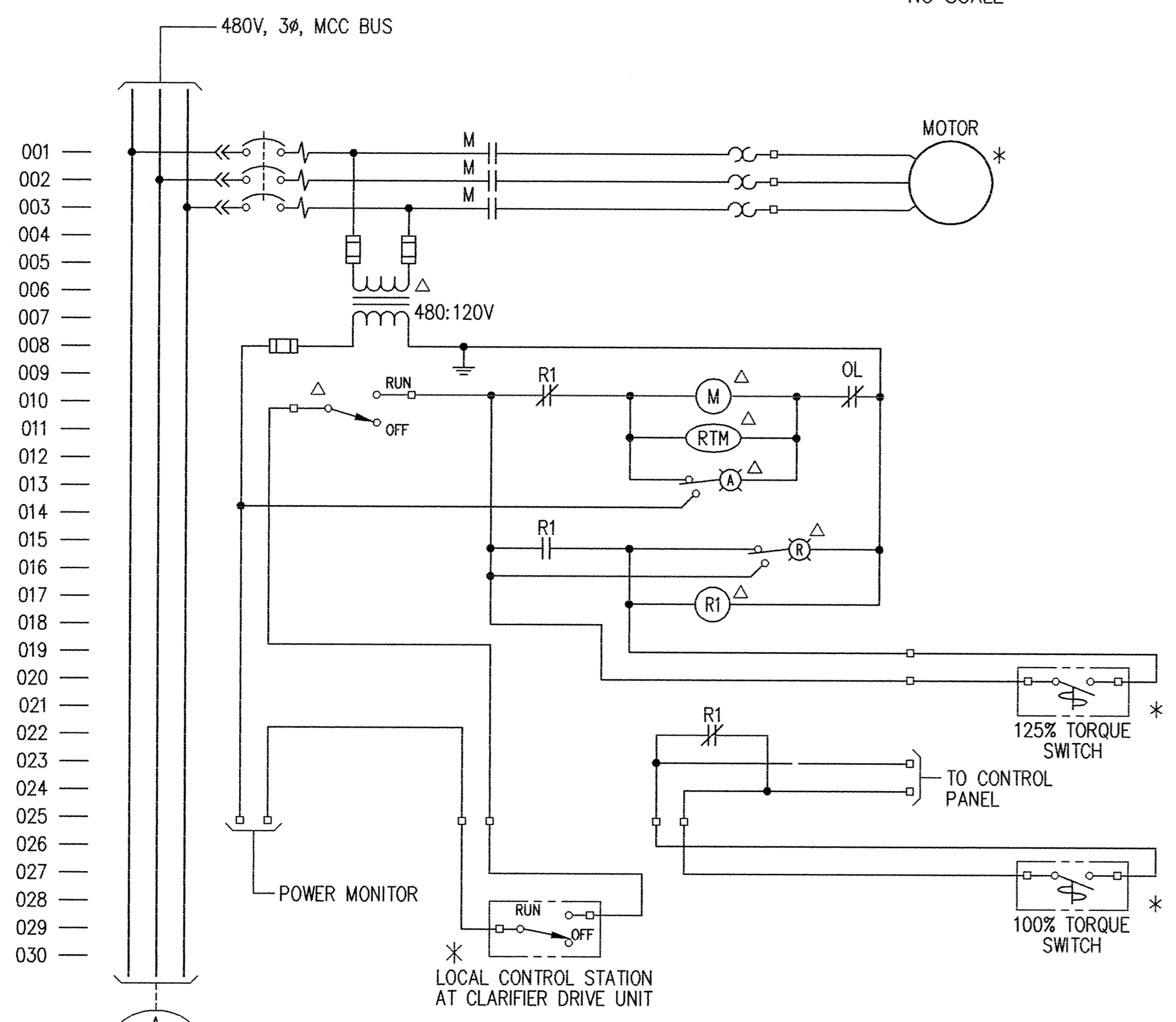


**BLOWER BUILDING MOTOR CONTROL CENTER (MCCB) ONE-LINE DIAGRAM**  
NO SCALE



**FINAL CLARIFIER SCHEMATIC**  
NO SCALE TYPICAL

LEGEND	
SYMBOL	DESCRIPTION
Δ	MOTOR CONTROL CENTER MOUNTED
*	FIELD MOUNTED
◇	CONTROL PANEL MOUNTED

This drawing was prepared by:  
**Kaeding & Associates, Inc.**  
7300 France Avenue South  
Suite 330  
Minneapolis, MN 55435  
Telephone: (612) 831-0317  
Fax: (612) 831-2179

I HEREBY CERTIFY THAT THIS PLAN, SPECIFICATION, OR REPORT WAS PREPARED BY ME OR UNDER MY DIRECT SUPERVISION AND THAT I AM A DULY REGISTERED PROFESSIONAL ENGINEER UNDER THE LAWS OF THE STATE OF MINNESOTA.

*[Signature]*  
DATE 06 OCT 95 REG. NO. 9955



1326 ENERGY PARK DRIVE  
ST. PAUL, MINNESOTA 55108  
(612) 644-4389

5075 WAYZATA BLVD. SUITE 225  
MINNEAPOLIS, MINNESOTA 55441  
(612) 546-0432

REVISIONS	DATE	DESCRIPTION	DESIGNED PK	CHECKED PK

DRAWN TLH/CPM

GRAPHIC SCALE  
0 HORIZ.  
0 VERT.

**CITY OF ELK RIVER**  
WASTEWATER TREATMENT FACILITIES  
BLOWER BUILDING (MCCB) ONE-LINE DIAGRAM

**E19**