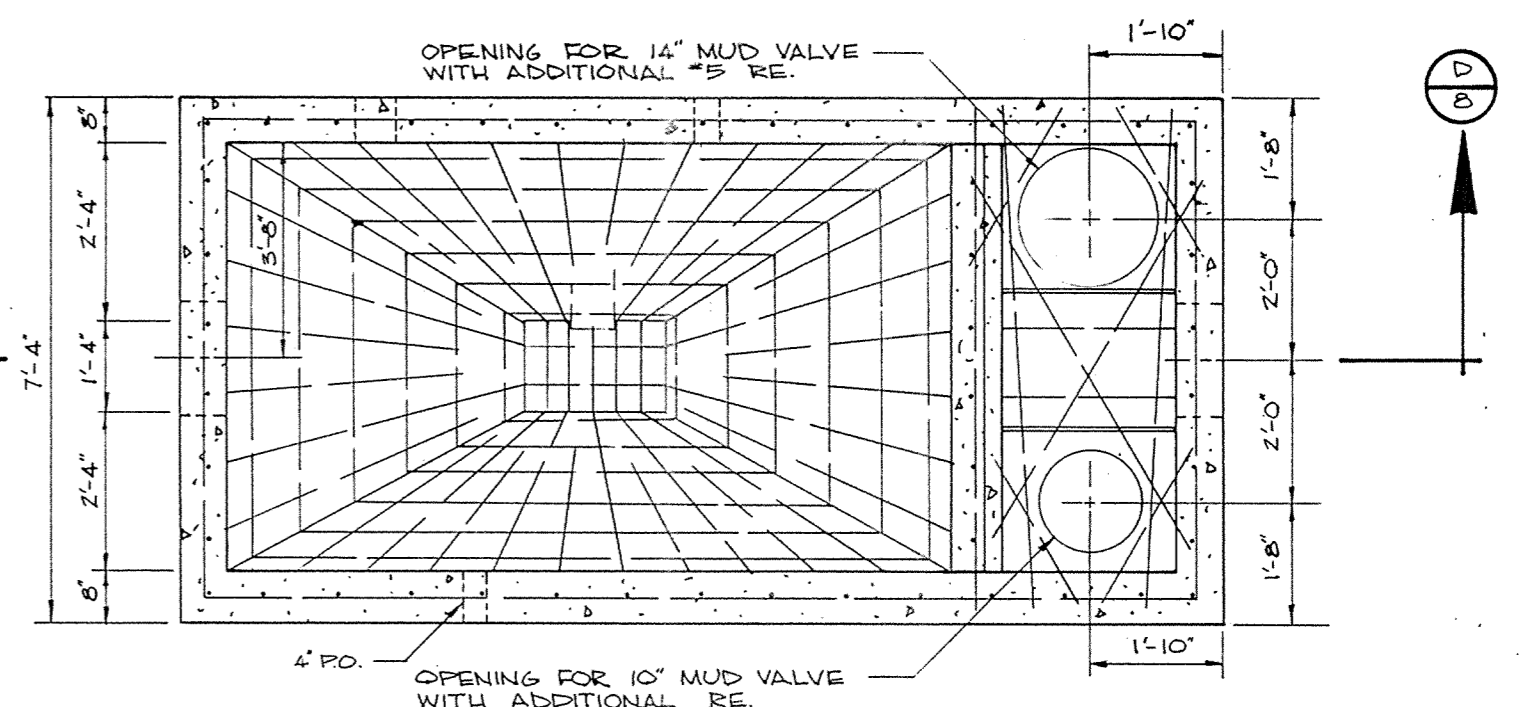


SARGO PRODUCTS • NEW HOPE, MINNESOTA
RENDERED BY PART NUMBER 6252

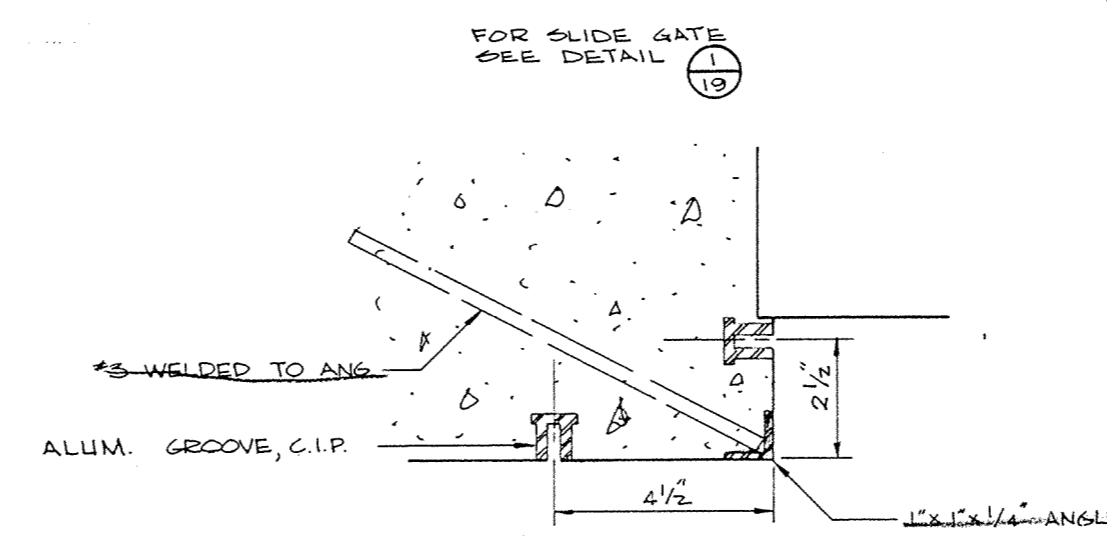
SARGO PRODUCTS • NEW HOPE, MINNESOTA
RENDERED BY PART NUMBER 6252

SARGO PRODUCTS • NEW HOPE, MINNESOTA
RENDERED BY PART NUMBER 6252

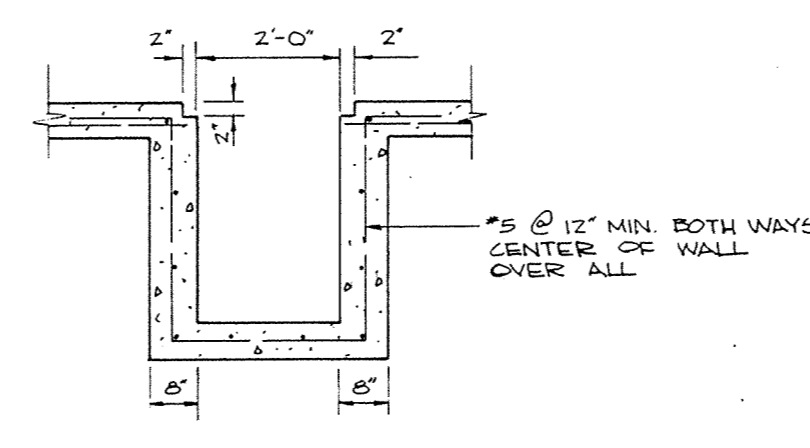
SARGO PRODUCTS • NEW HOPE, MINNESOTA
RENDERED BY PART NUMBER 6252



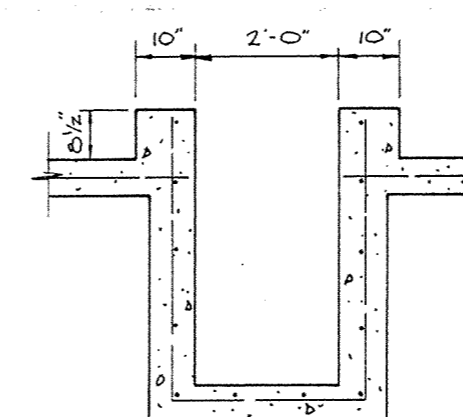
GRIT TANK PLAN
SCALE: 3/8" = 1'-0"



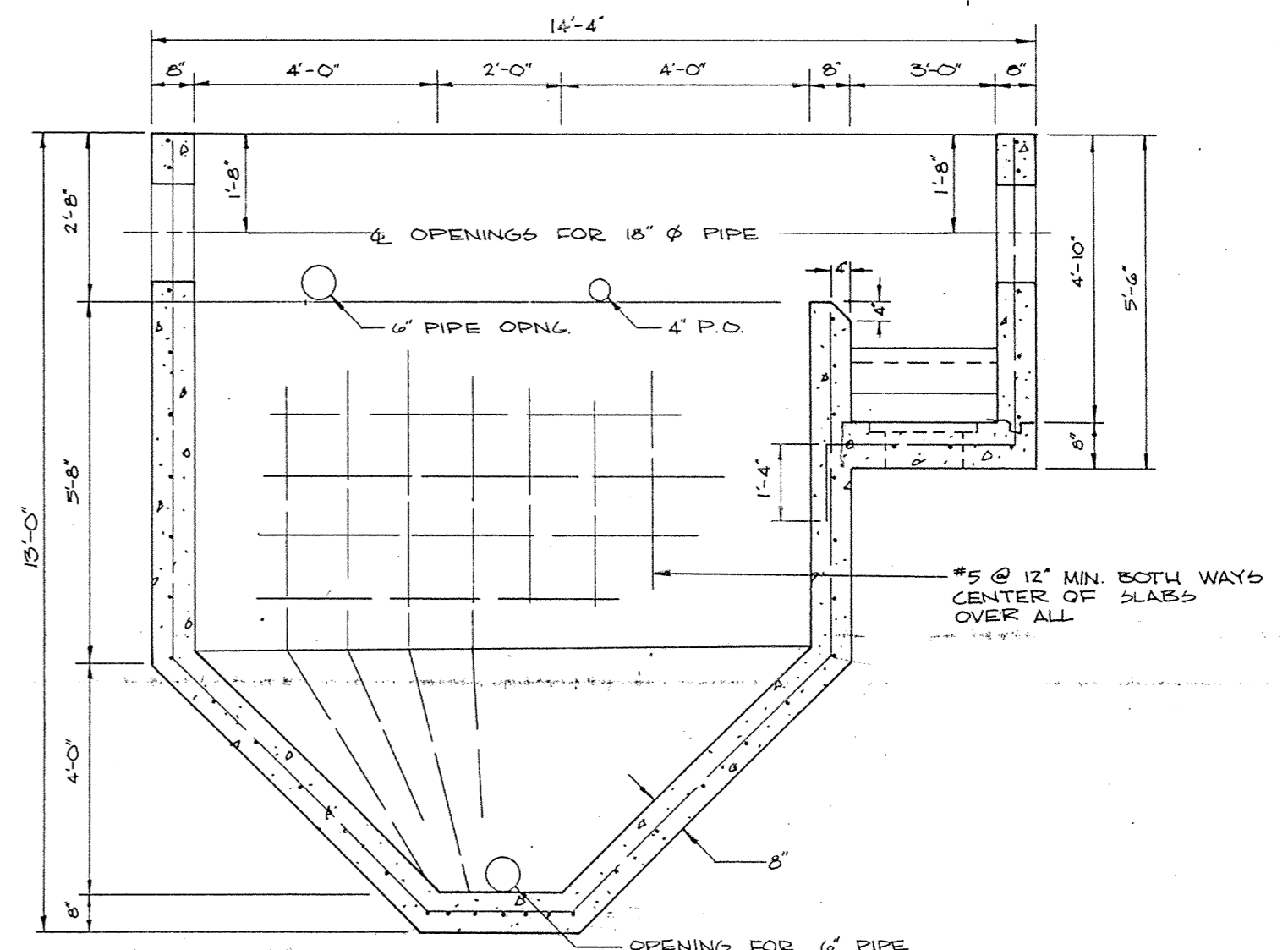
GROOVE DETAIL
SCALE: 3" = 1'-0"



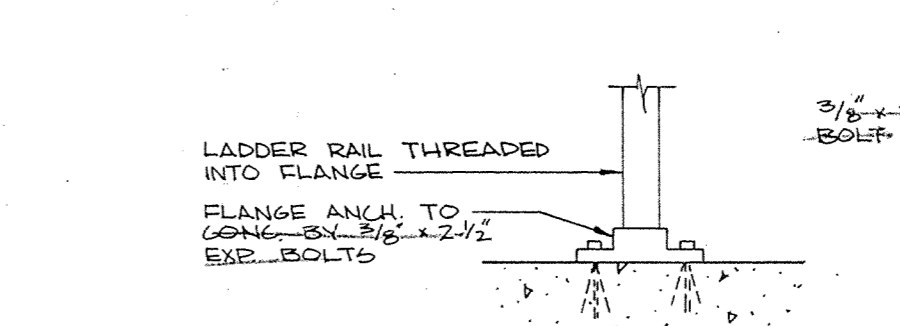
SECTION
SCALE: 3/8" = 1'-0"



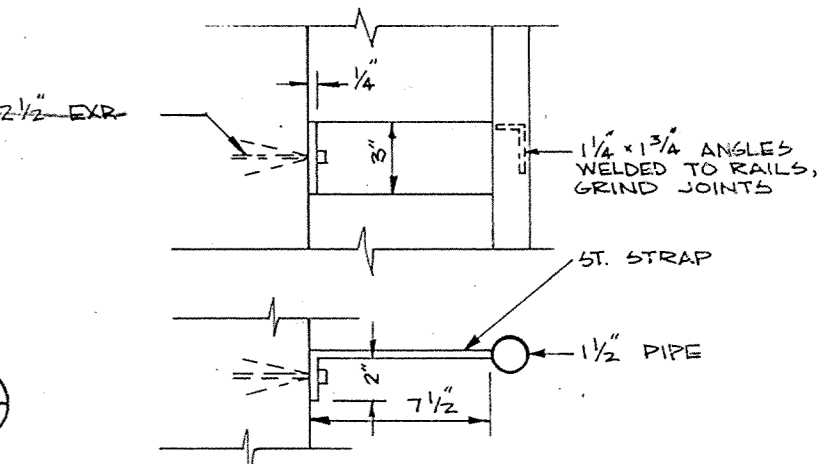
SECTION
SCALE: 3/8" = 1'-0"



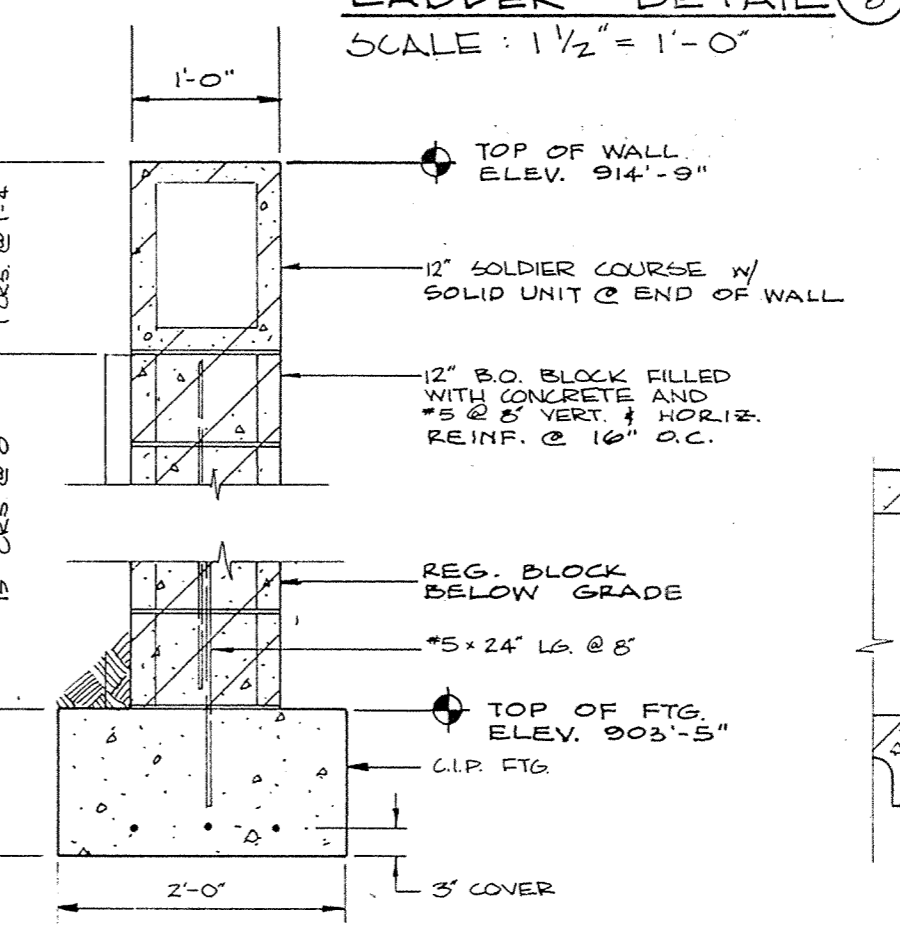
GRIT TANK SECTION
SCALE: 3/8" = 1'-0"



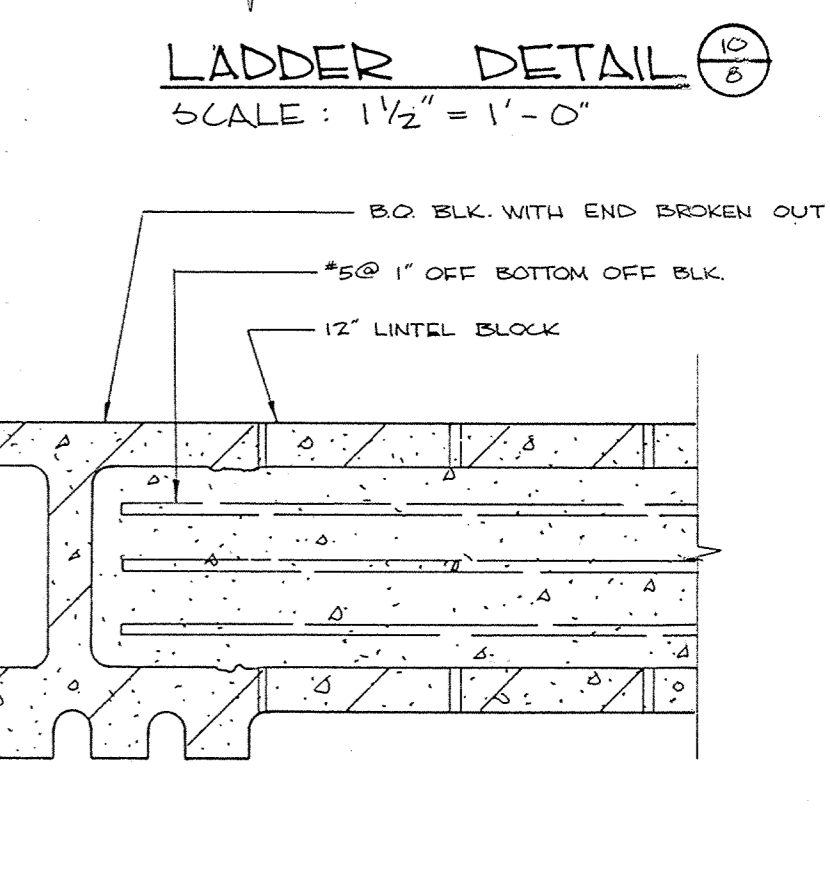
LADDER DETAIL
SCALE: 1/2" = 1'-0"



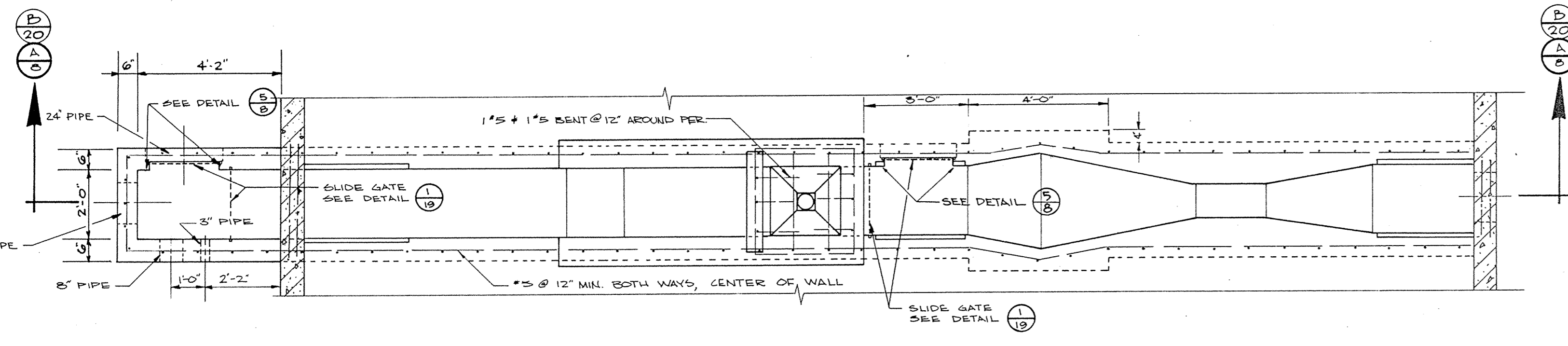
LADDER DETAIL
SCALE: 1/2" = 1'-0"



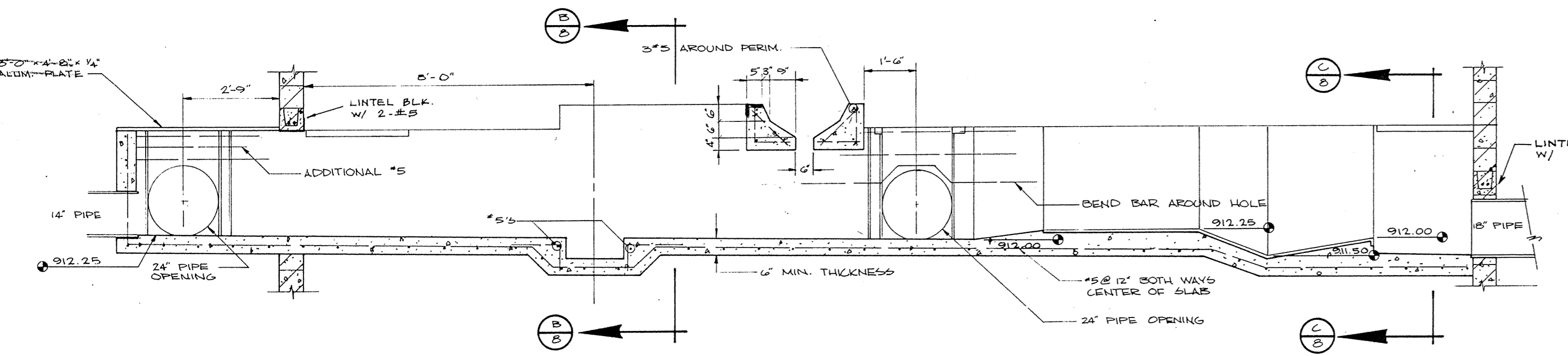
RETAINING WALL DETAIL
SCALE: 3/4" = 1'-0"



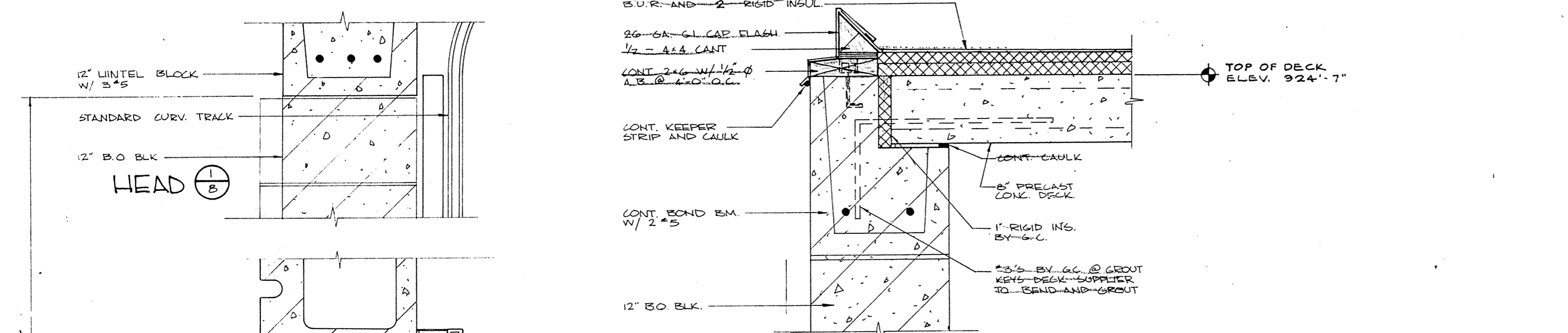
LINTEL DETAIL
SCALE: 1/2" = 1'-0"



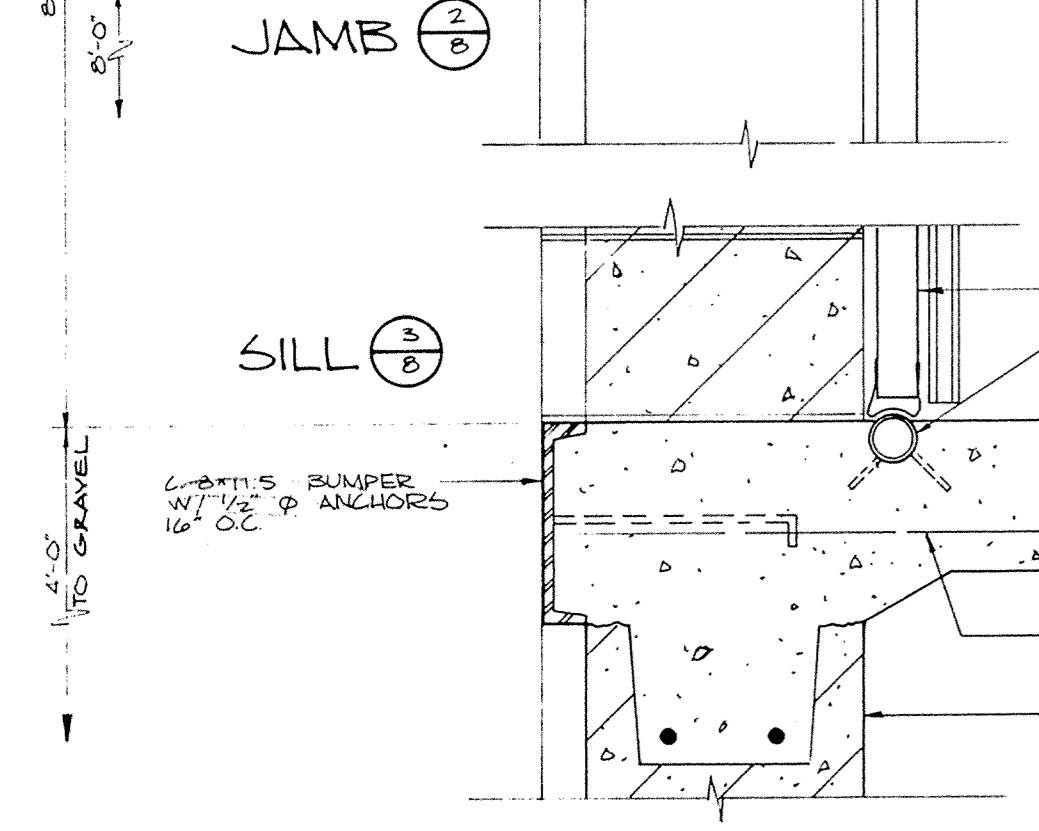
CHANNEL PLAN
SCALE: 3/8" = 1'-0"



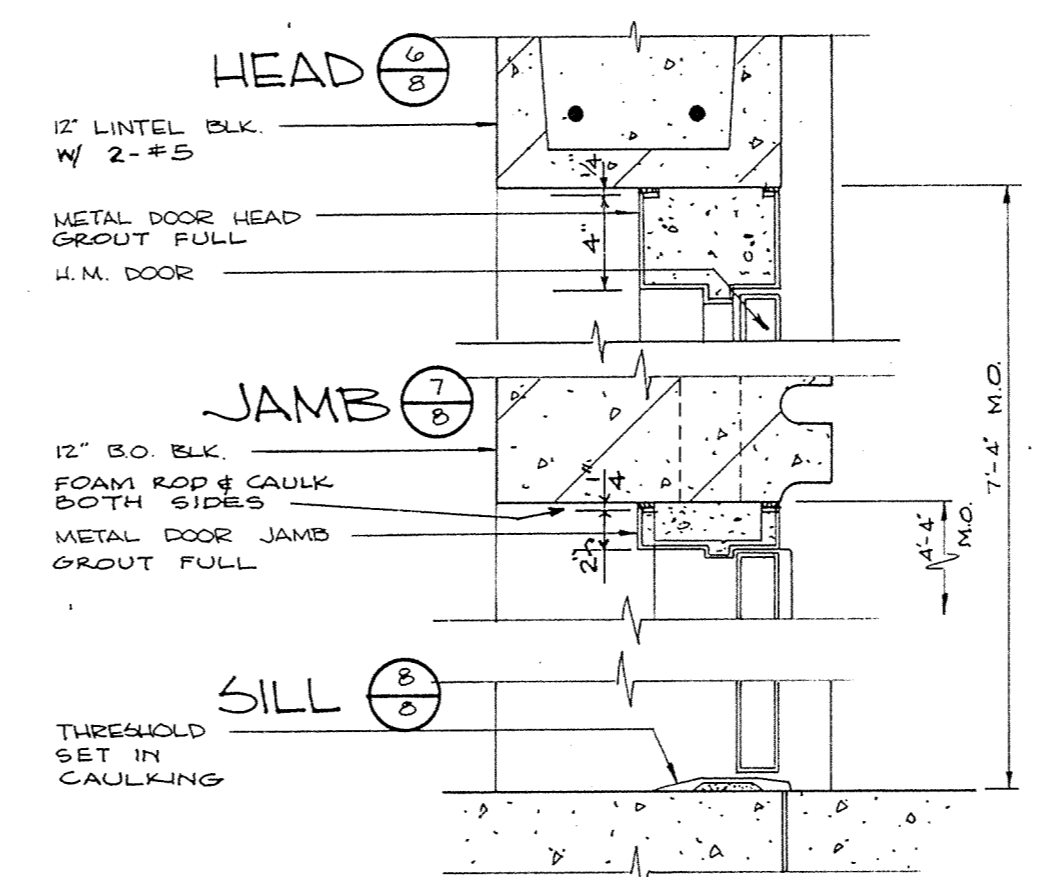
CHANNEL SECTION
SCALE: 3/8" = 1'-0"



ROOF EDGE DETAIL
SCALE: 1/2" = 1'-0"



O'HEAD DOOR DETAILS
SCALE: 1/2" = 1'-0"



DOOR DETAIL
SCALE: 1/2" = 1'-0"

NO.	DATE	BY	REVISIONS
A	2-23-75	D.J.S.	MISC. REVISIONS

DESIGNED K.L.V.	CHECKED K.L.V.
DRAWN S.W.J.	APPROVED W.H.M.
DATE 8/29/75	COMM.

I HEREBY CERTIFY THAT THIS PLAN WAS PREPARED BY ME OR UNDER MY DIRECT SUPERVISION AND THAT I AM A DULY REGISTERED PROFESSIONAL ENGINEER UNDER THE LAWS OF THE STATE OF MINNESOTA.
Karen Van Aachen
 DATE Aug 29, 1975 REG. NO. 10159

McCOMBS-KNUTSON ASSOCIATES, INC.
 CONSULTING ENGINEERS ■ LAND SURVEYORS ■ SITE PLANNERS
 MINNEAPOLIS, HUTCHINSON and MARSHALL, MINNESOTA

WASTE WATER TREATMENT FACILITIES
 FOR
ELK RIVER, MINNESOTA

SCALE AS NOTED	SHEET 8	REV. A
BOOK PAGE		
FILE NO. 2603		

ARCHITECTURAL AND STRUCTURAL DETAILS
PRETREATMENT BLDG.

SHEET 8	REV. A