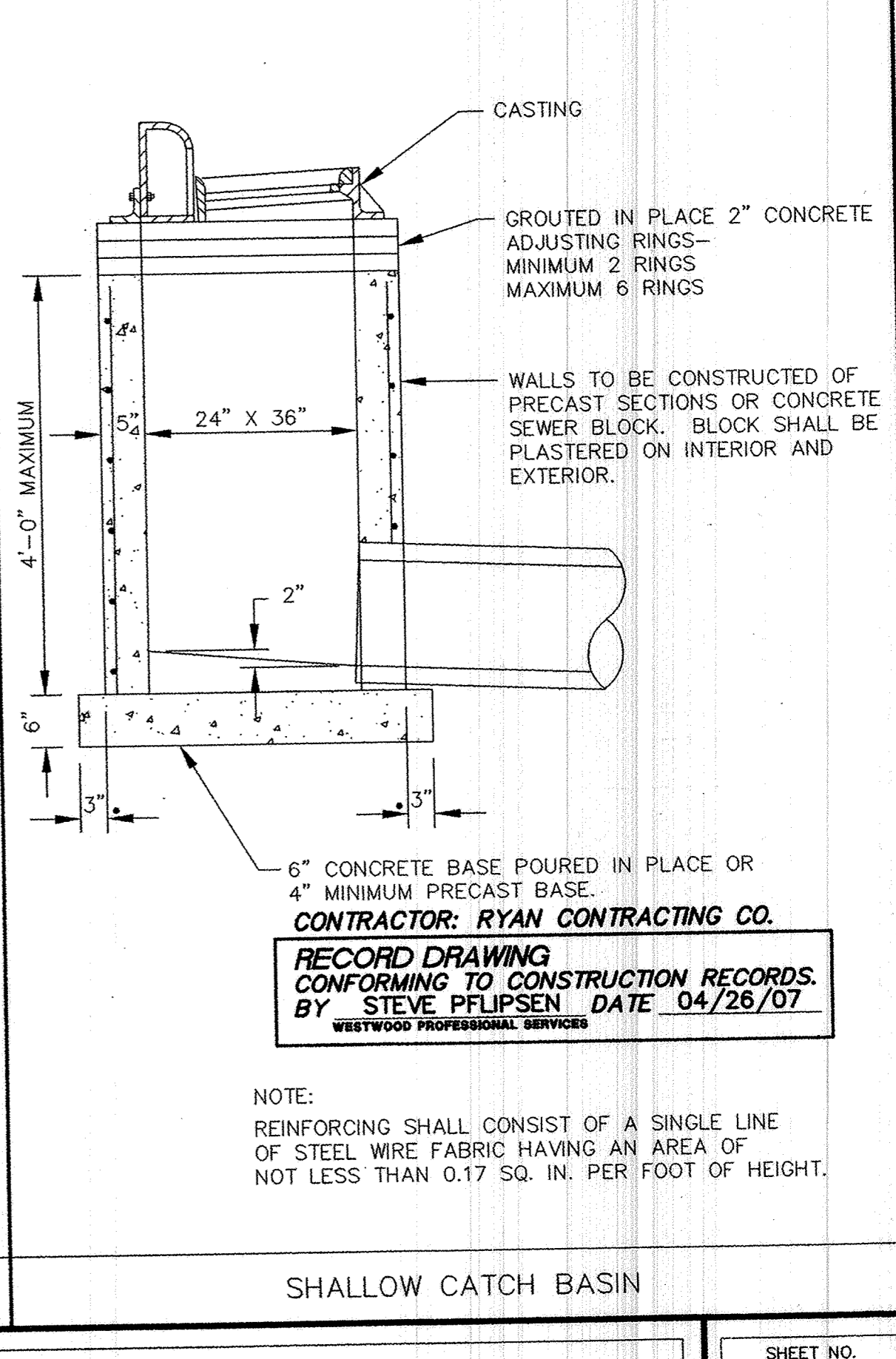
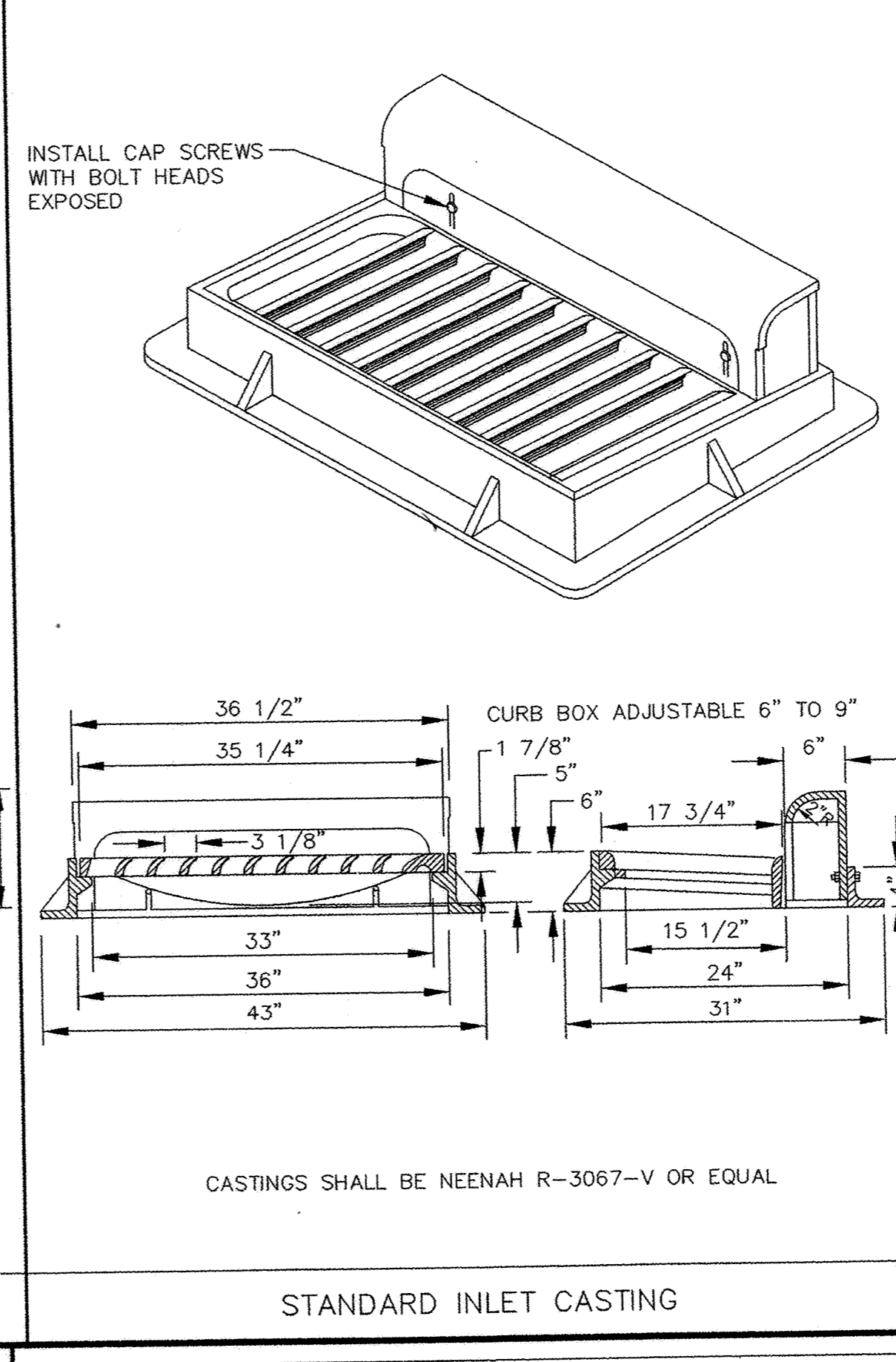
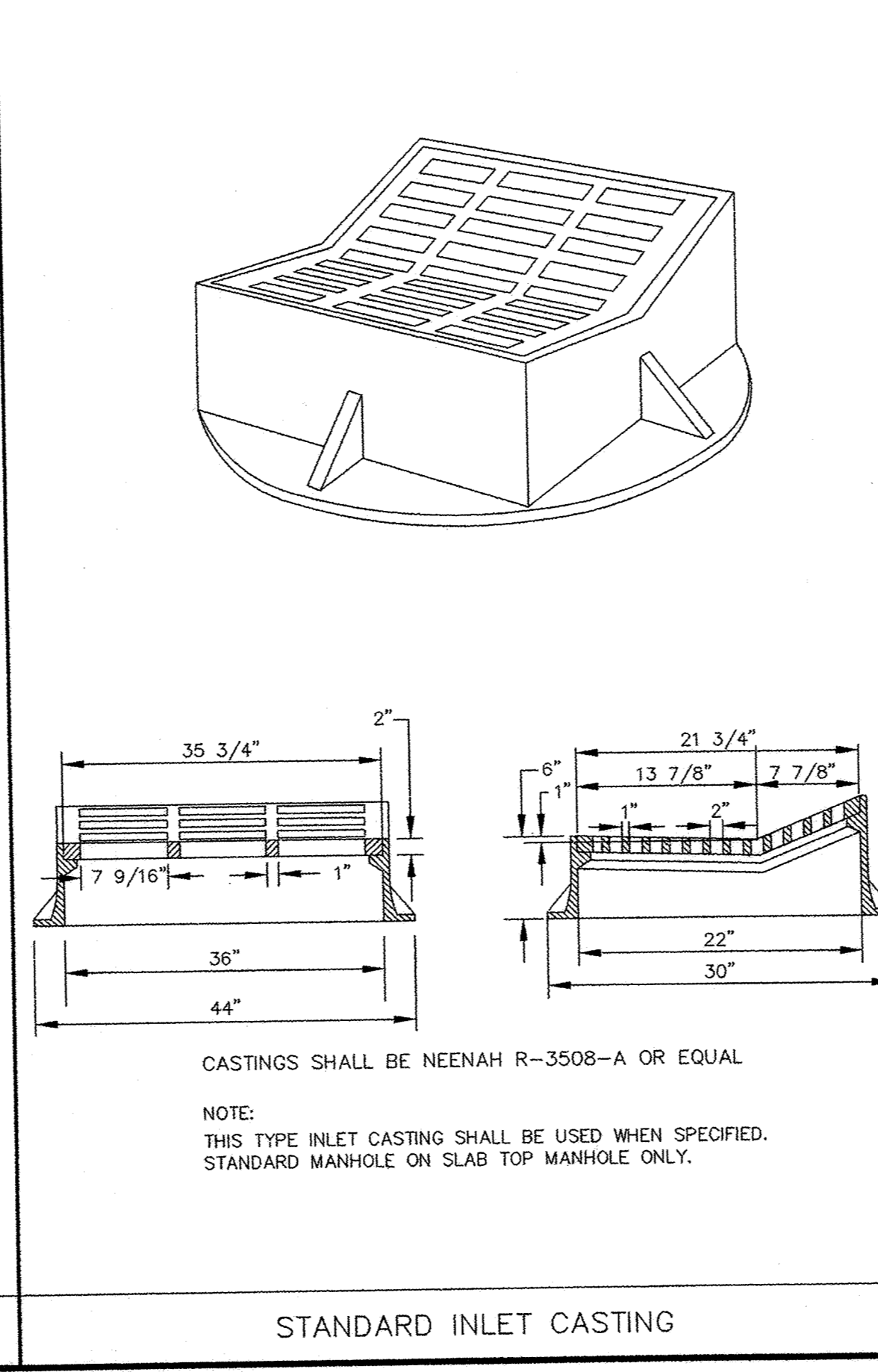
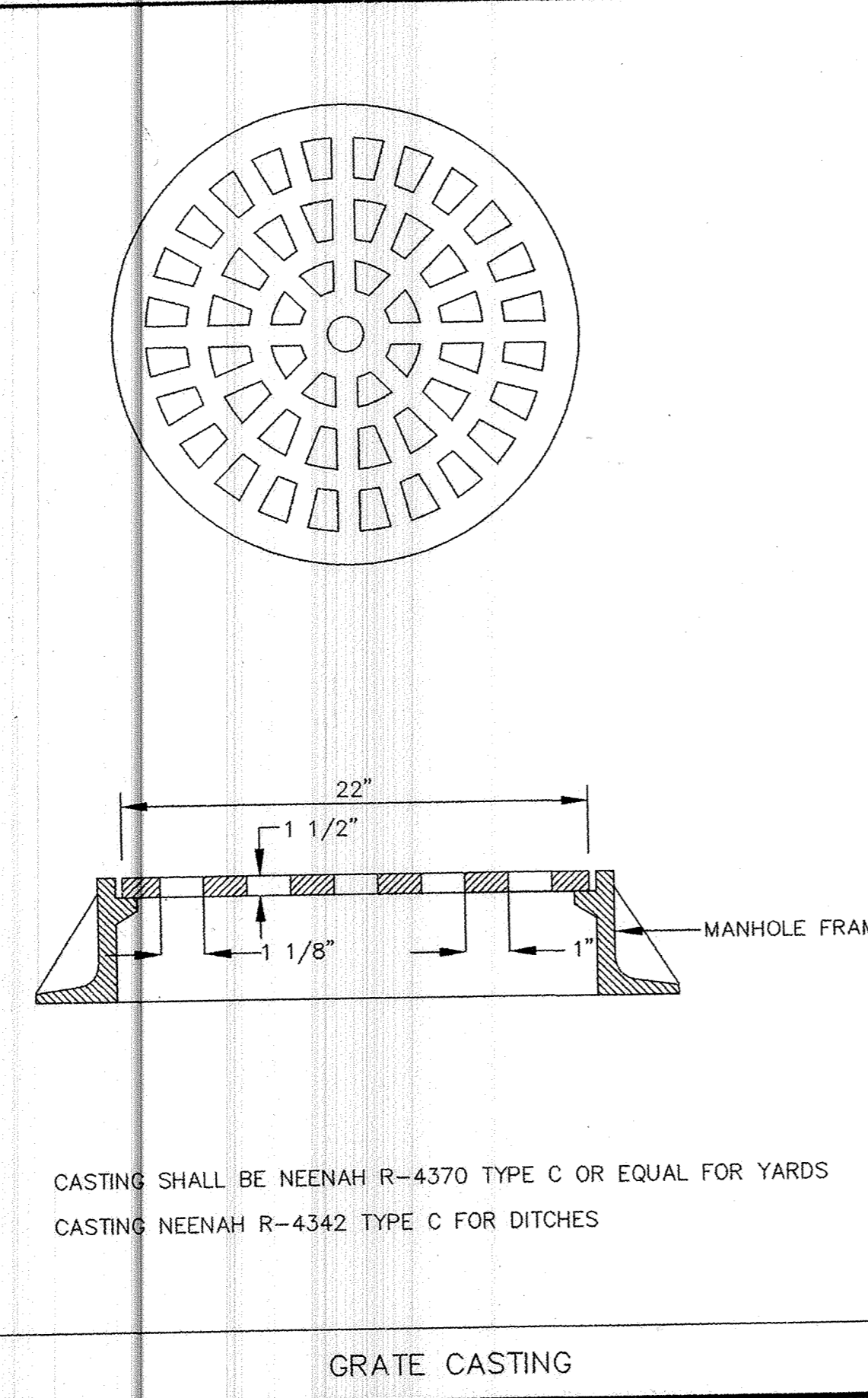
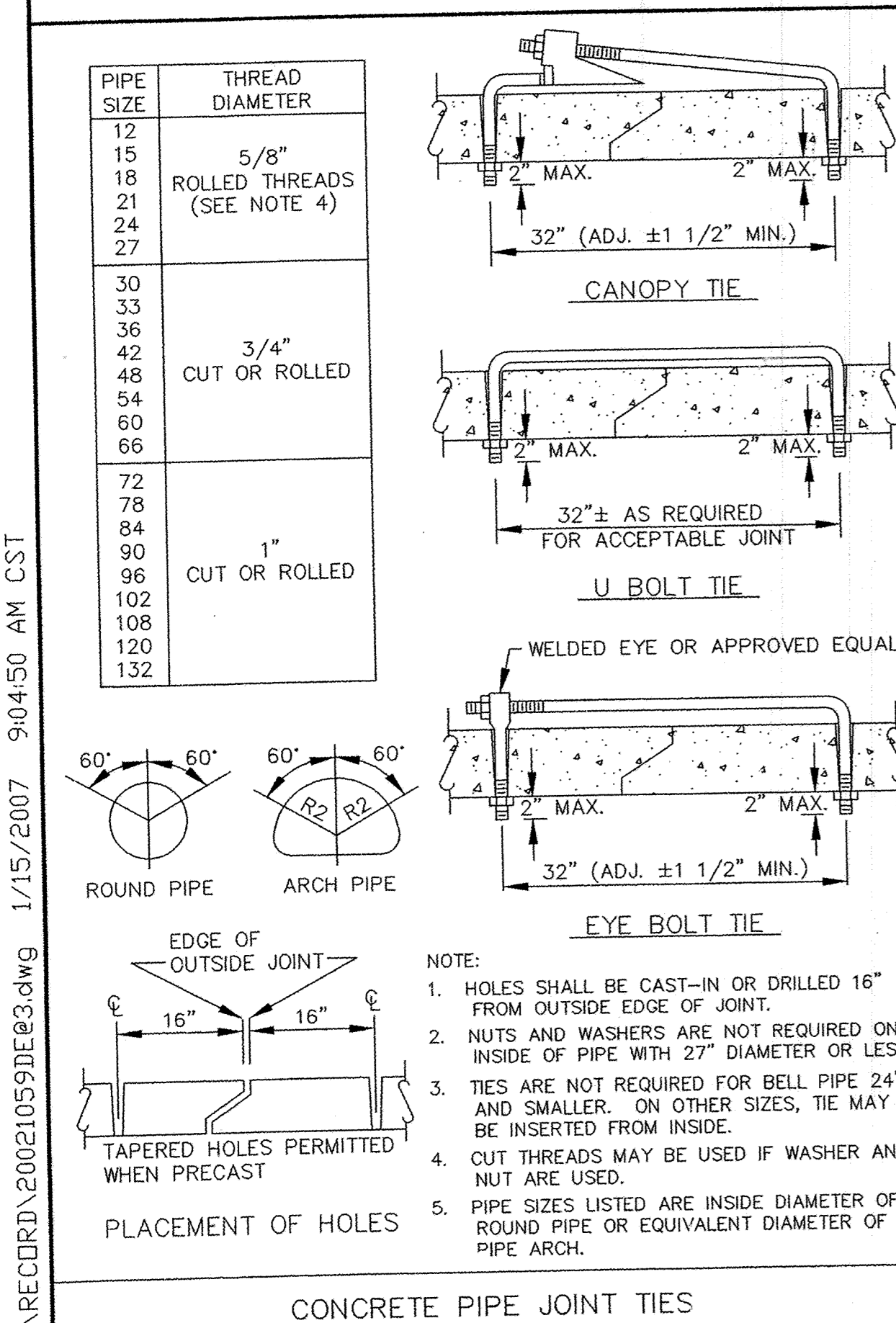
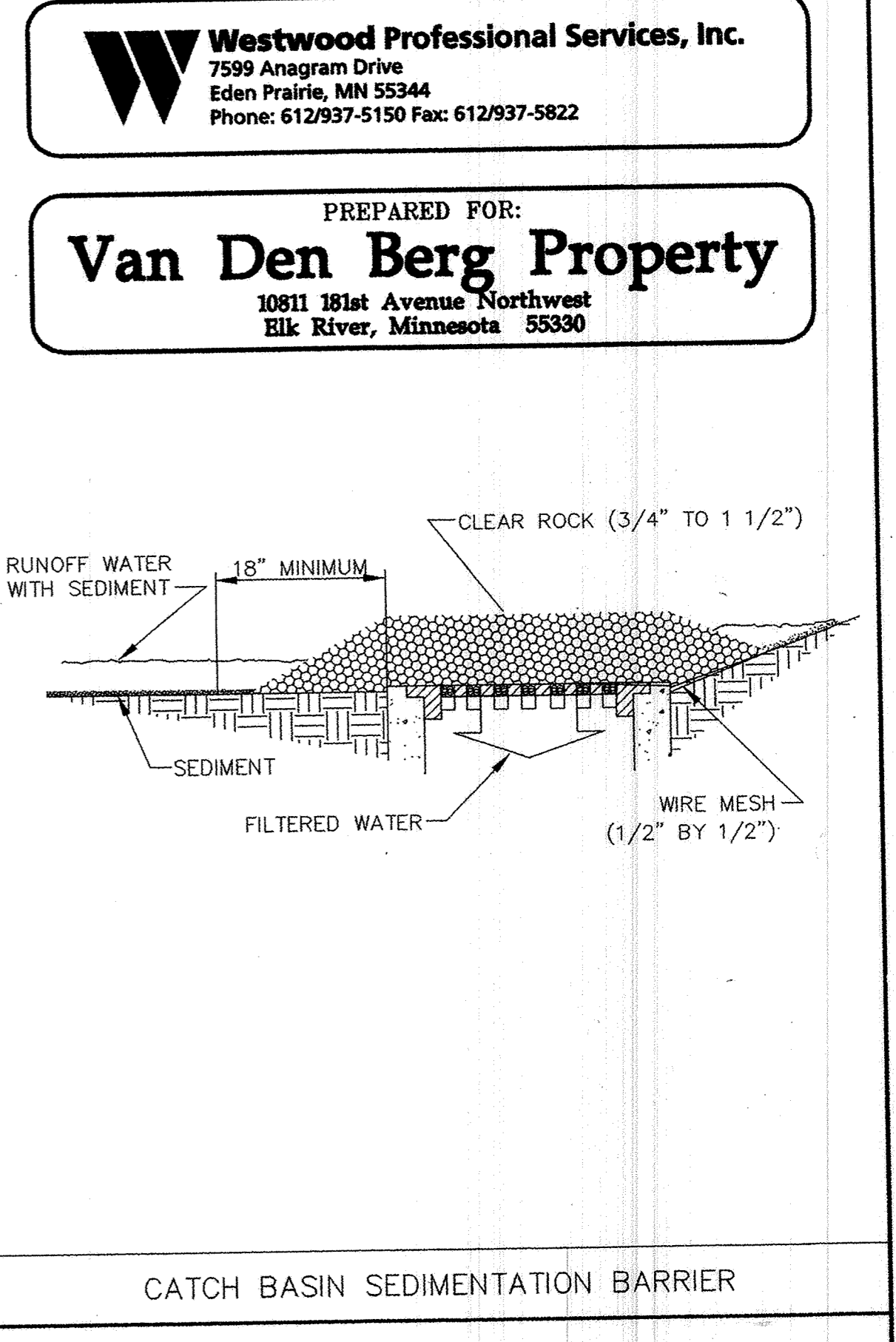
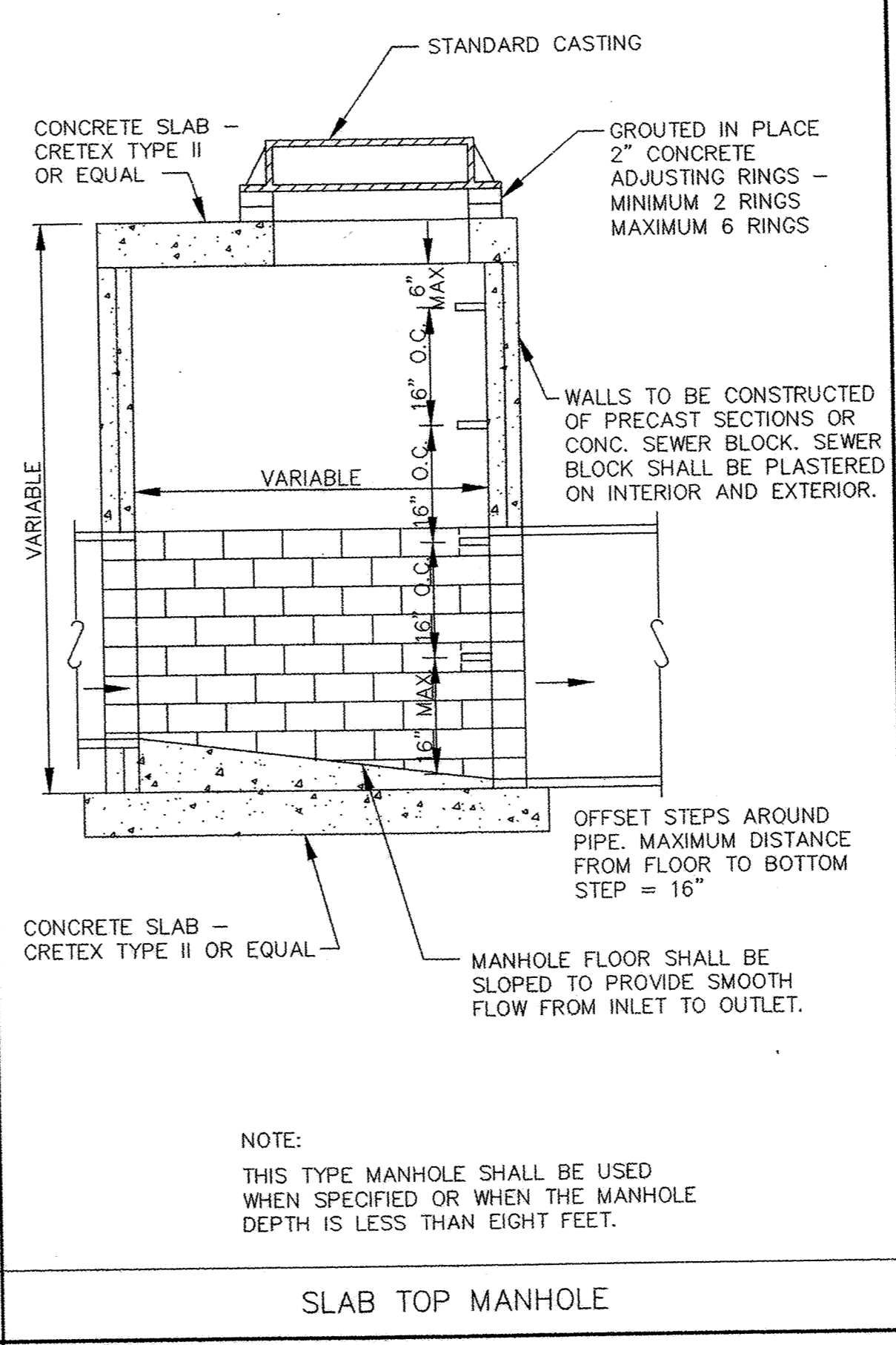
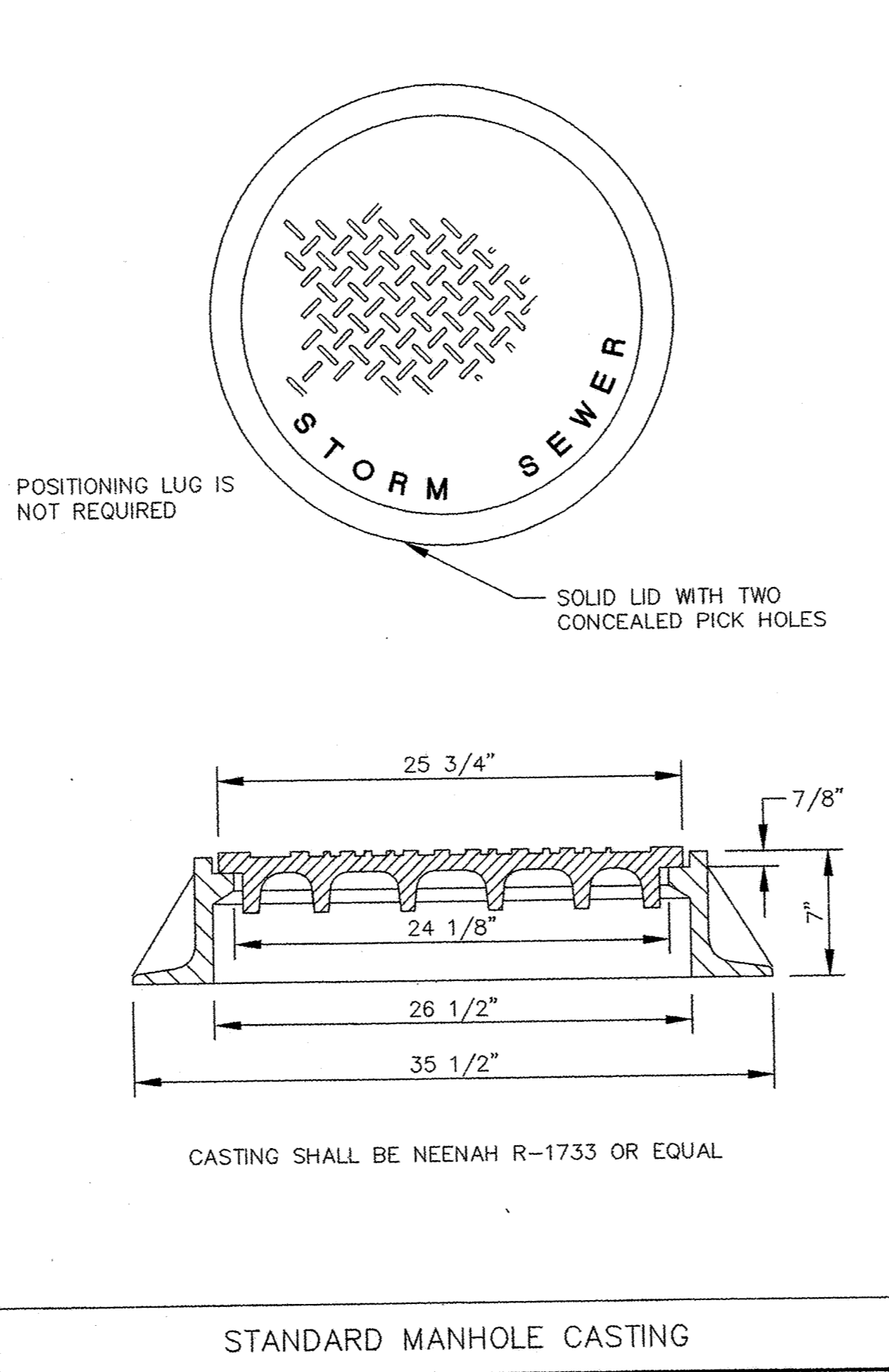
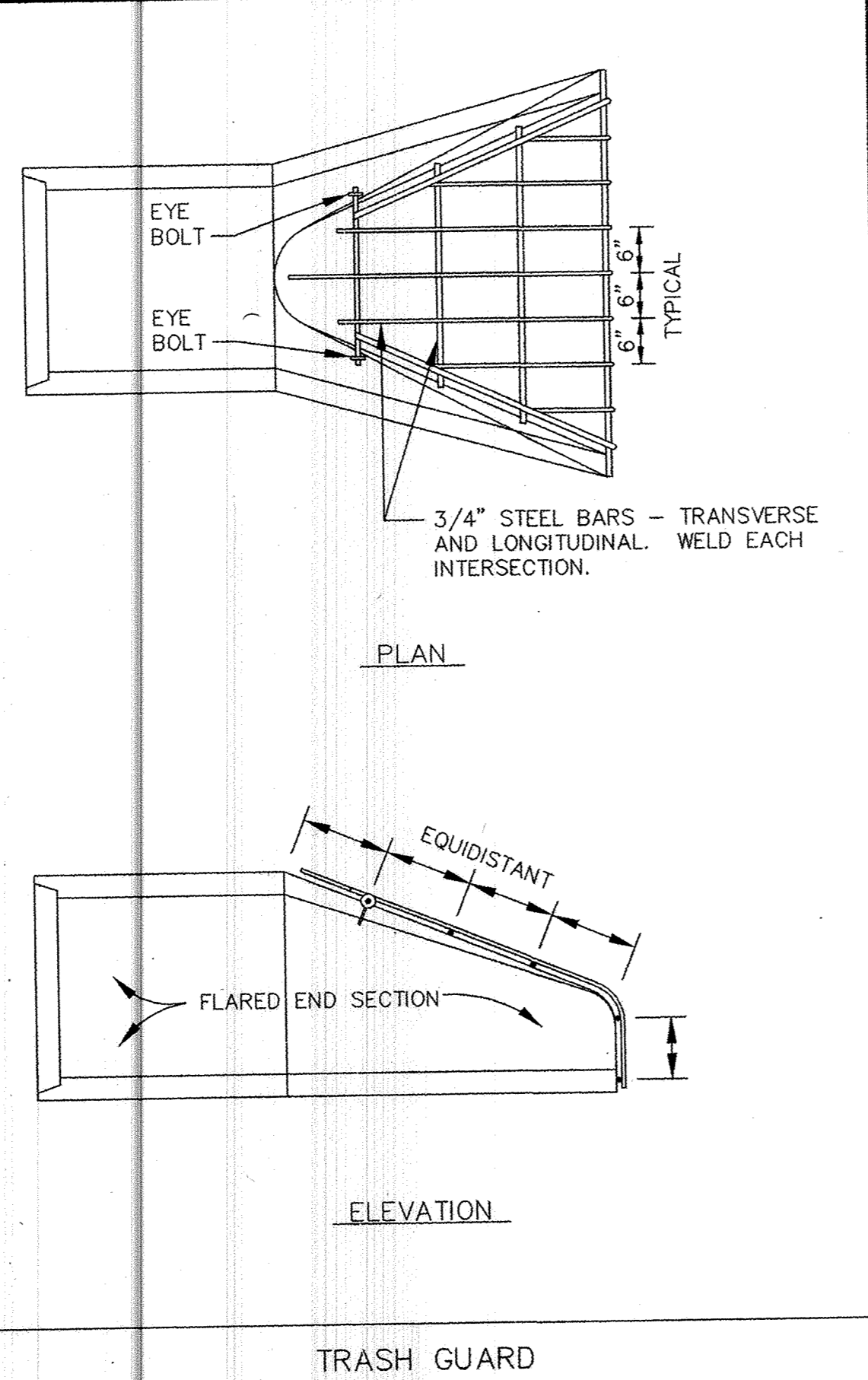


TABLE OF QUANTITIES RIP-RAP AT RCP OUTLETS

DIA. OF ROUND PIPE (IN.)	L (FT)	CLASS IV #50=12"	
		24" DEPTH RIP-RAP (CU. YDS)	12" DEPTH GRANULAR FILTER (CU. YDS)
12	8	5.5	2.8
15	8	5.8	2.9
18	10	7.8	3.9
21	10	8.4	4.2
24	12	11.0	5.5
27	12	11.6	5.8
30	14	14.5	7.3
36	18	18.5	9.2
42	18	21.7	10.9
48	20	25.8	12.9



DESIGNED BY: --- DRAWN BY: ---

APPROVED: --- JOB NUMBER ---

CAD DATE: April 14, 1999 11:14:59 a.m.

CAD FILE: 230000m\ER-SM.DWG

I HEREBY CERTIFY THAT THIS PLAN, SPECIFICATION, OR REPORT WAS PREPARED BY ME OR UNDER MY DIRECT SUPERVISION AND THAT I AM A DULY REGISTERED PROFESSIONAL ENGINEER UNDER THE LAWS OF THE STATE OF MINNESOTA.

DATE: _____ REG. NO. _____

NO.	DATE	BY	REVISION DESCRIPTION
1	03/20/06	DOB	CLIENT COMMENTS
2	10/20/06	GKB	RECORD DRAWINGS
3	01/15/07	SWW	RECORD DRAWINGS
4	04/26/07	SWW	FINAL RECORD DRAWINGS

1326 ENERGY PARK DRIVE
ST. PAUL, MINNESOTA 55108
(612) 644-4389

Howard R. Green Company
CONSULTING ENGINEERS

CITY OF ELK RIVER
VAN DEN BERG PROPERTY
STORM SEWER DETAILS

SHEET NO. 7 OF 8

E-3 200210590E@3.DWG