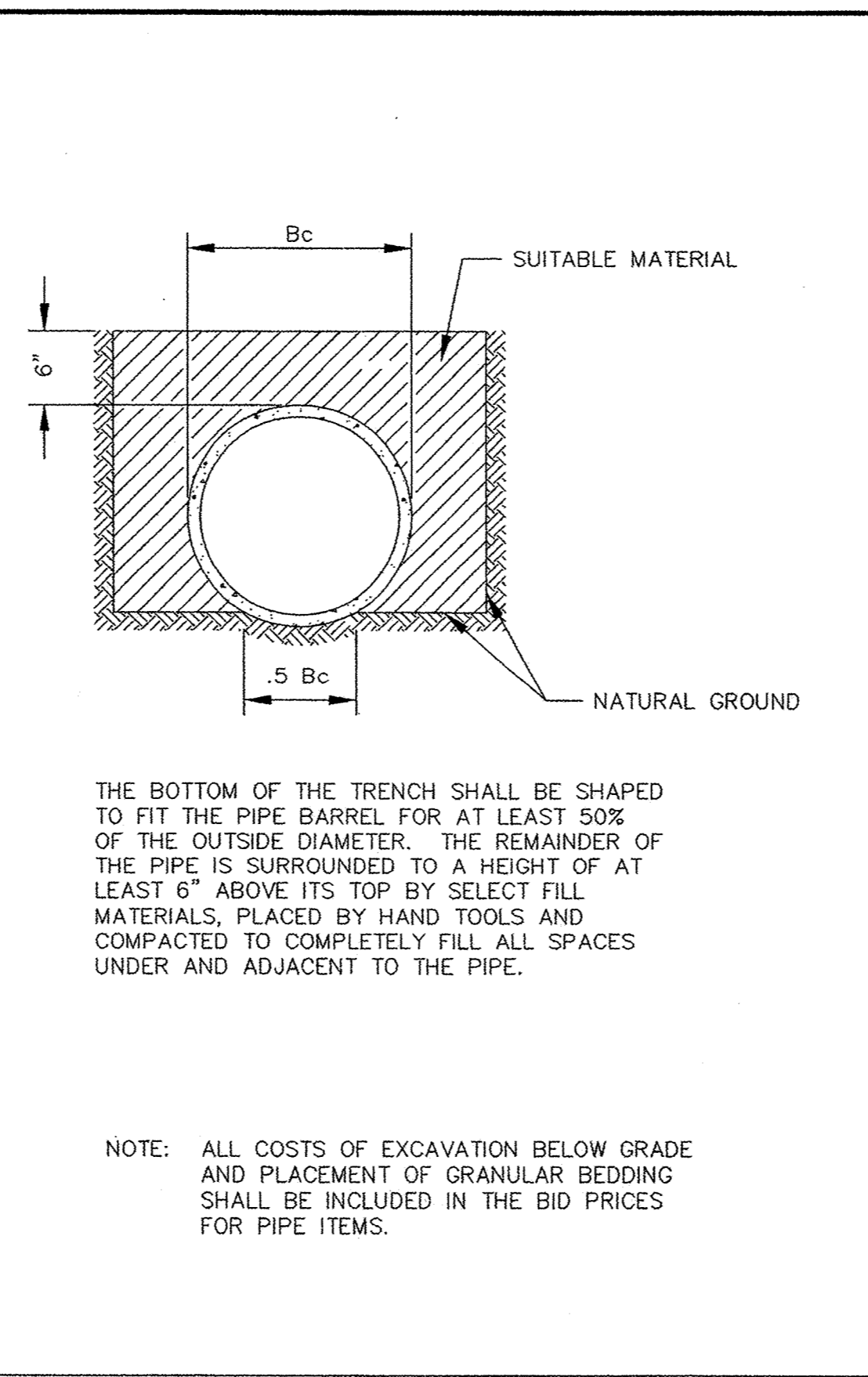
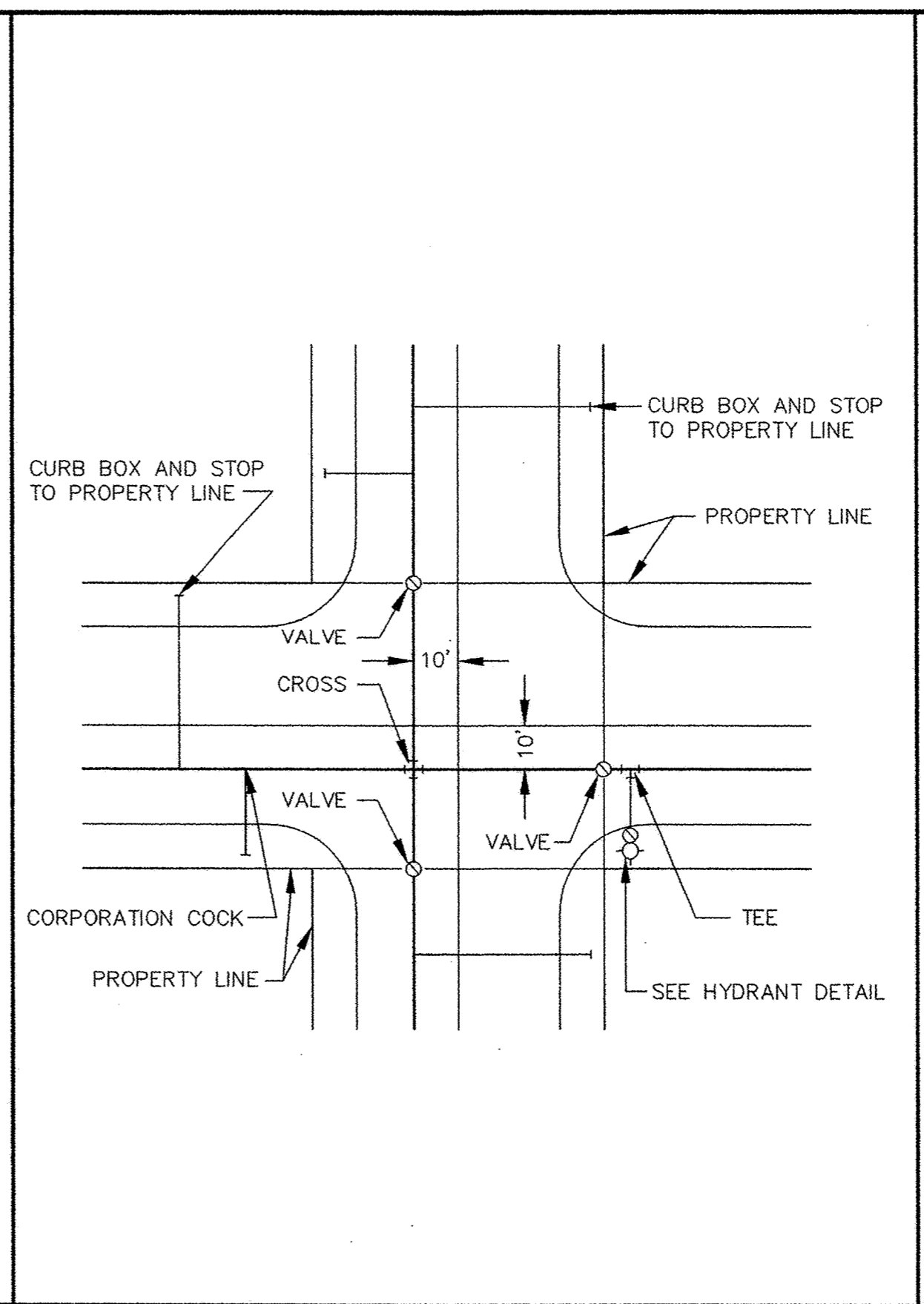


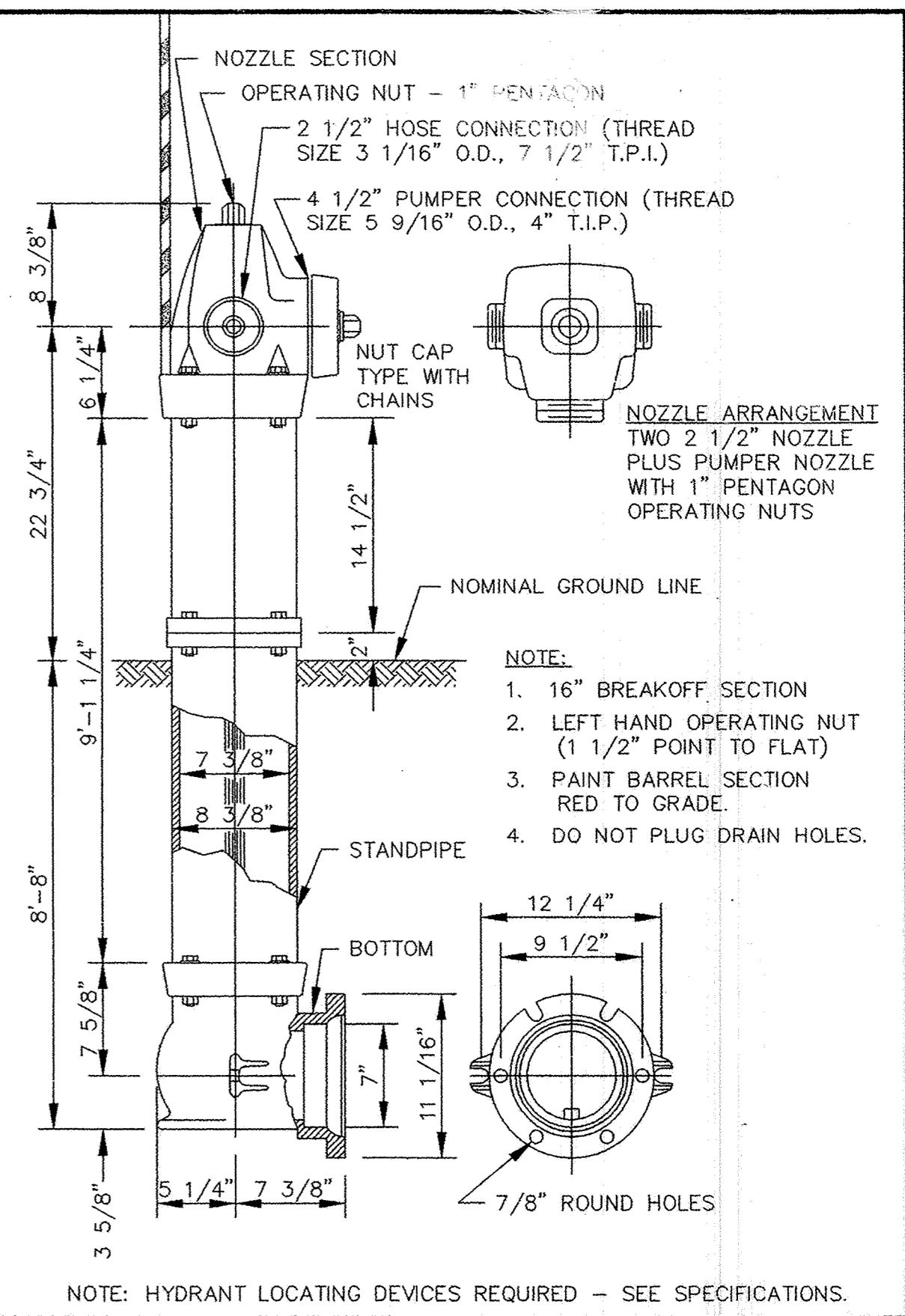
CLASS B PIPE BEDDING



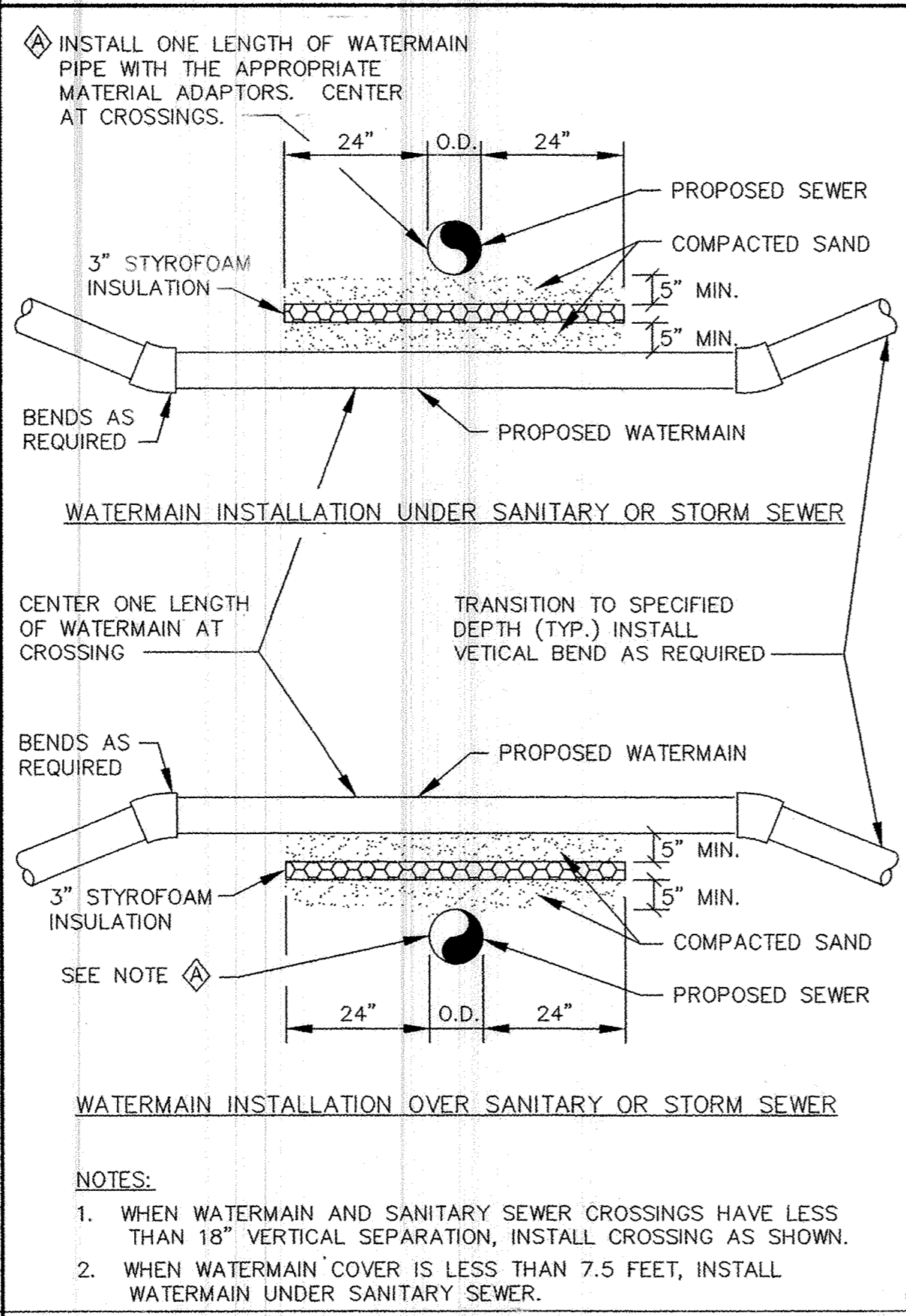
CLASS C PIPE BEDDING



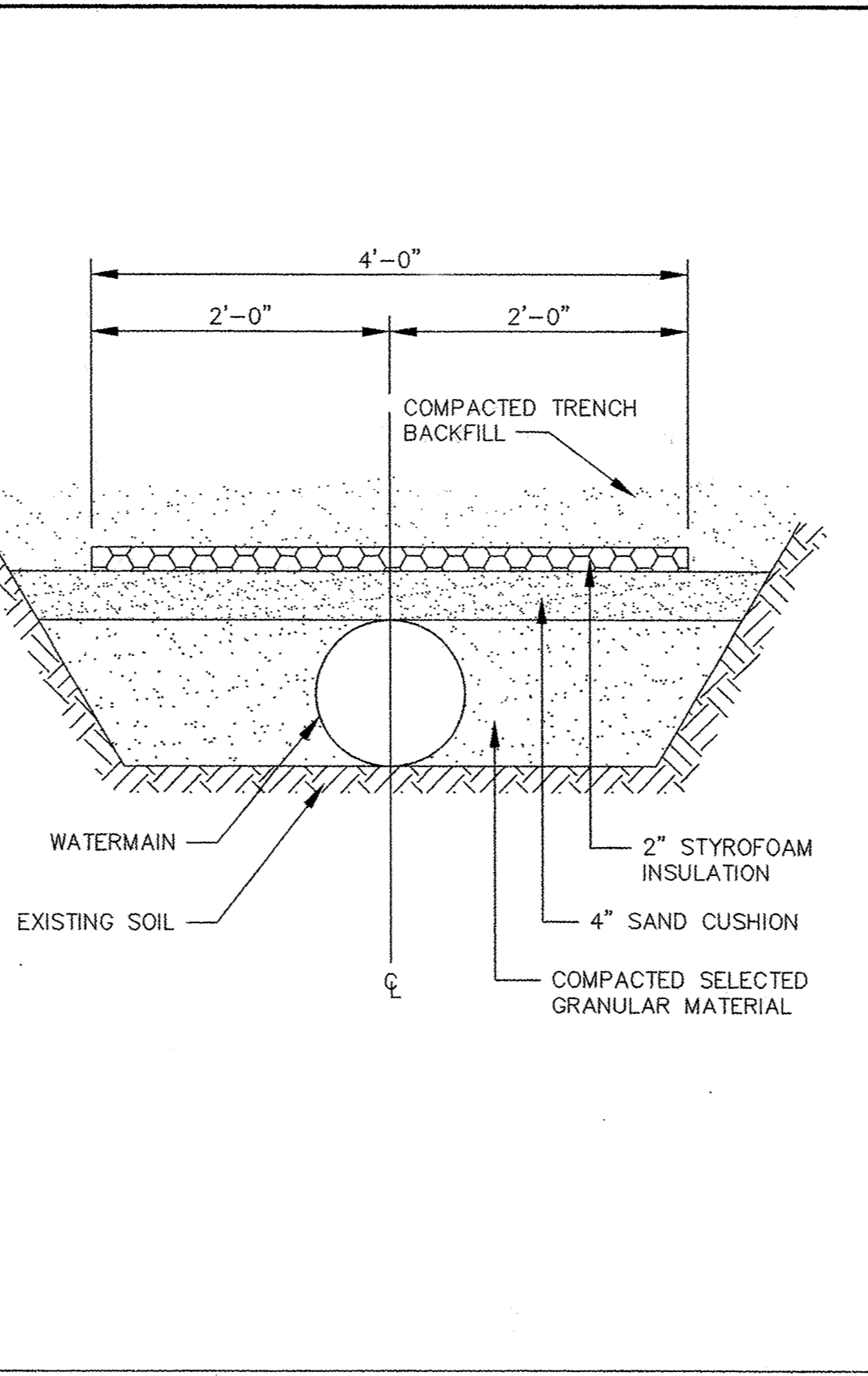
TYPICAL WATER LAYOUT



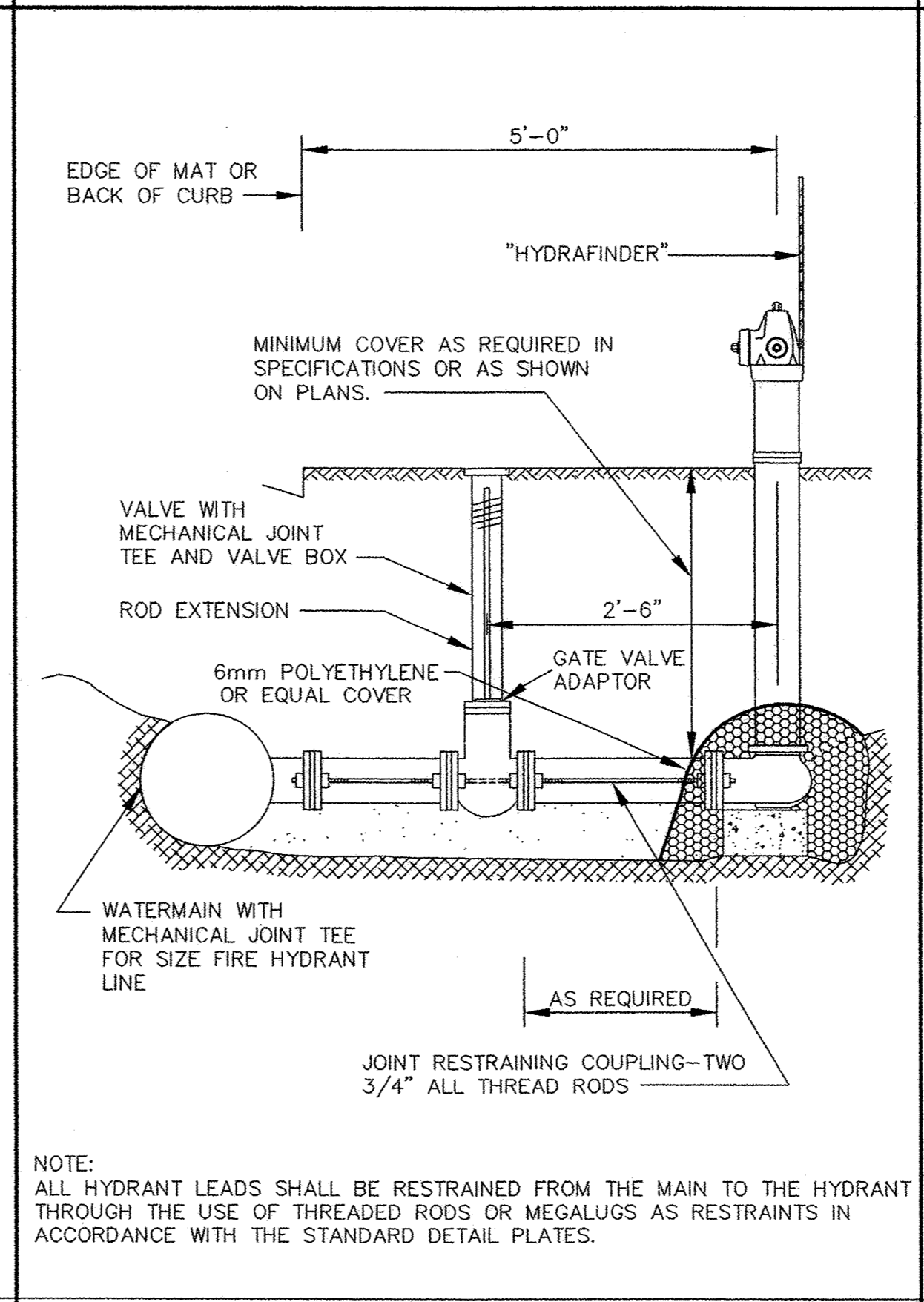
PACER HYDRANT DETAIL



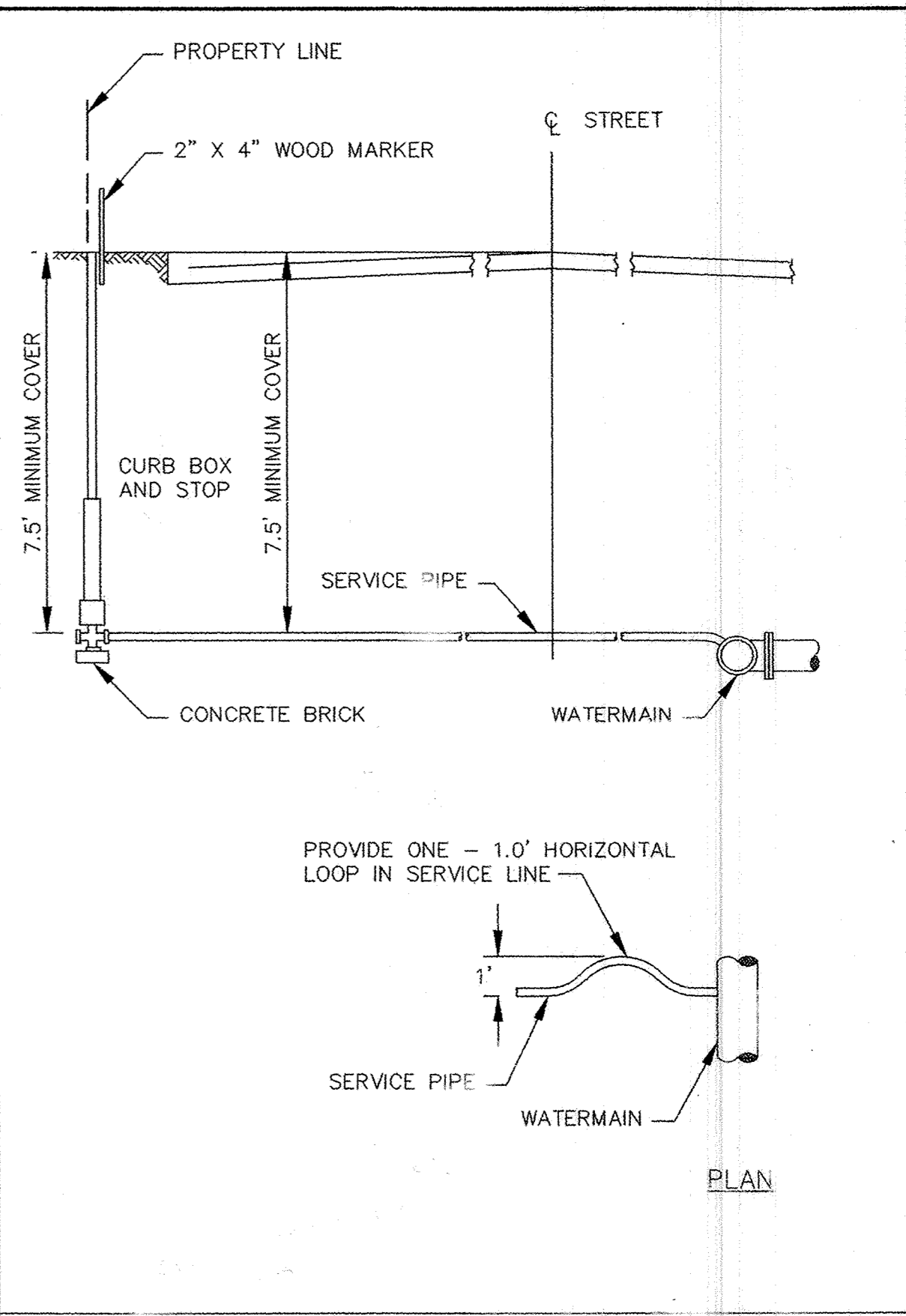
WATERMAIN CROSSING



PIPE INSULATION DETAIL



RODDING DETAIL



TYPICAL SERVICE DETAIL

CONTRACTOR: RYAN CONTRACTING CO.
 RECORD DRAWING
 CONFORMING TO CONSTRUCTION RECORDS.
 BY STEVE PFLIPSEN DATE 04/26/07
 WESTWOOD PROFESSIONAL SERVICES

Westwood Professional Services, Inc.
 7599 Anagram Drive
 Eden Prairie, MN 55344
 Phone: 952/937-5150 Fax: 952/937-3422

PREPARED FOR
Van Den Berg Property
 10811 181st Avenue Northwest
 Elk River, Minnesota 55330

NO.	DATE	BY	REVISION DESCRIPTION
1	03/20/06	DOB	CLIENT COMMENTS
2	10/20/06	GKB	RECORD DRAWINGS
3	01/15/07	SWW	RECORD DRAWINGS
4	04/26/07	SWW	FINAL RECORD DRAWINGS

1326 ENERGY PARK DRIVE
 ST. PAUL, MINNESOTA 55108
 (612) 644-4389
Howard R. Green Company
 CONSULTING ENGINEERS

CITY OF ELK RIVER
VAN DEN BERG PROPERTY
WATER MAIN DETAILS

SHEET NO.
6
 OF
8

P:\20021059\dwg\RECORD\20021059DE@2.dwg 1/15/2007 9:26:31 AM CST