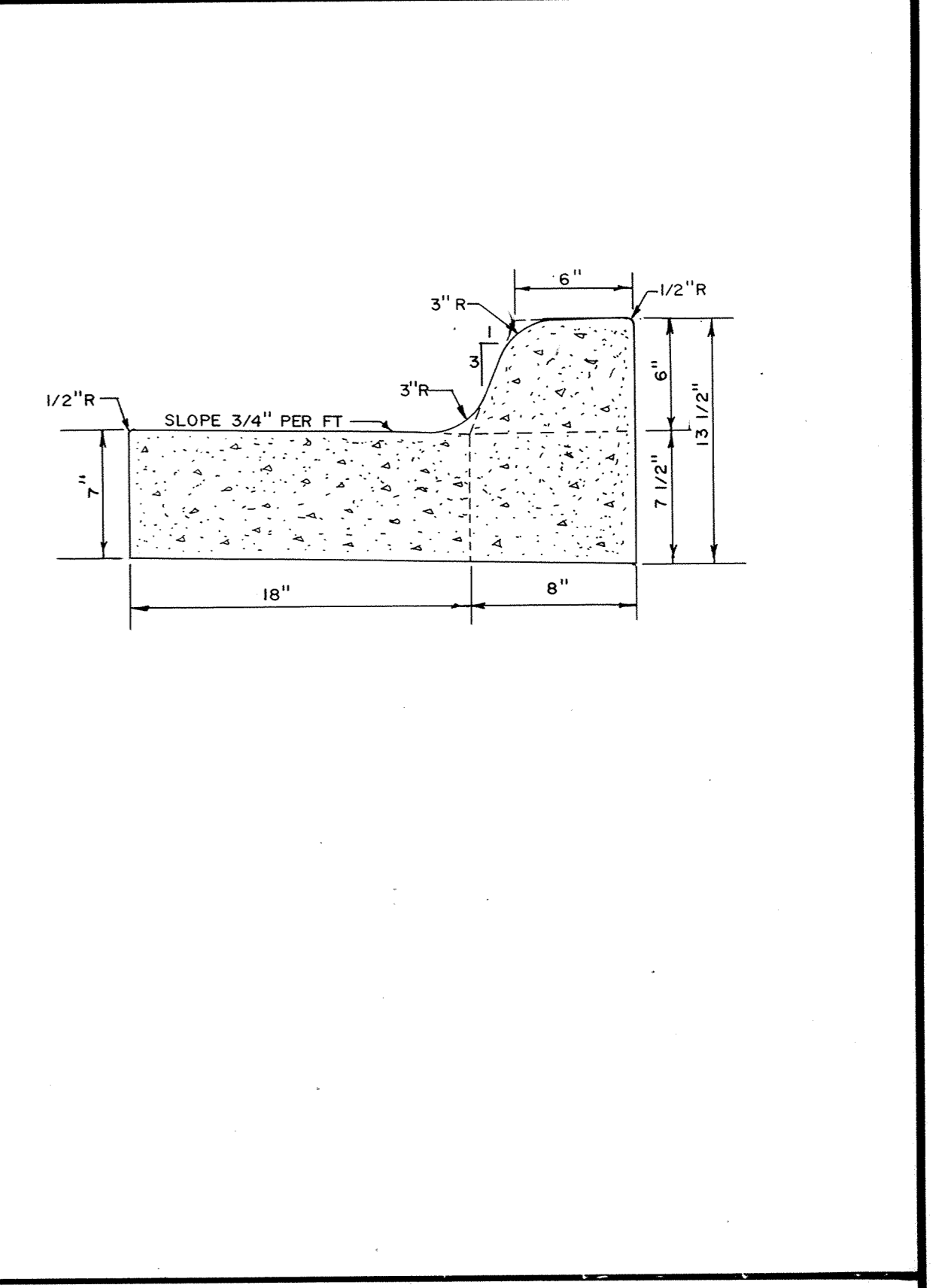
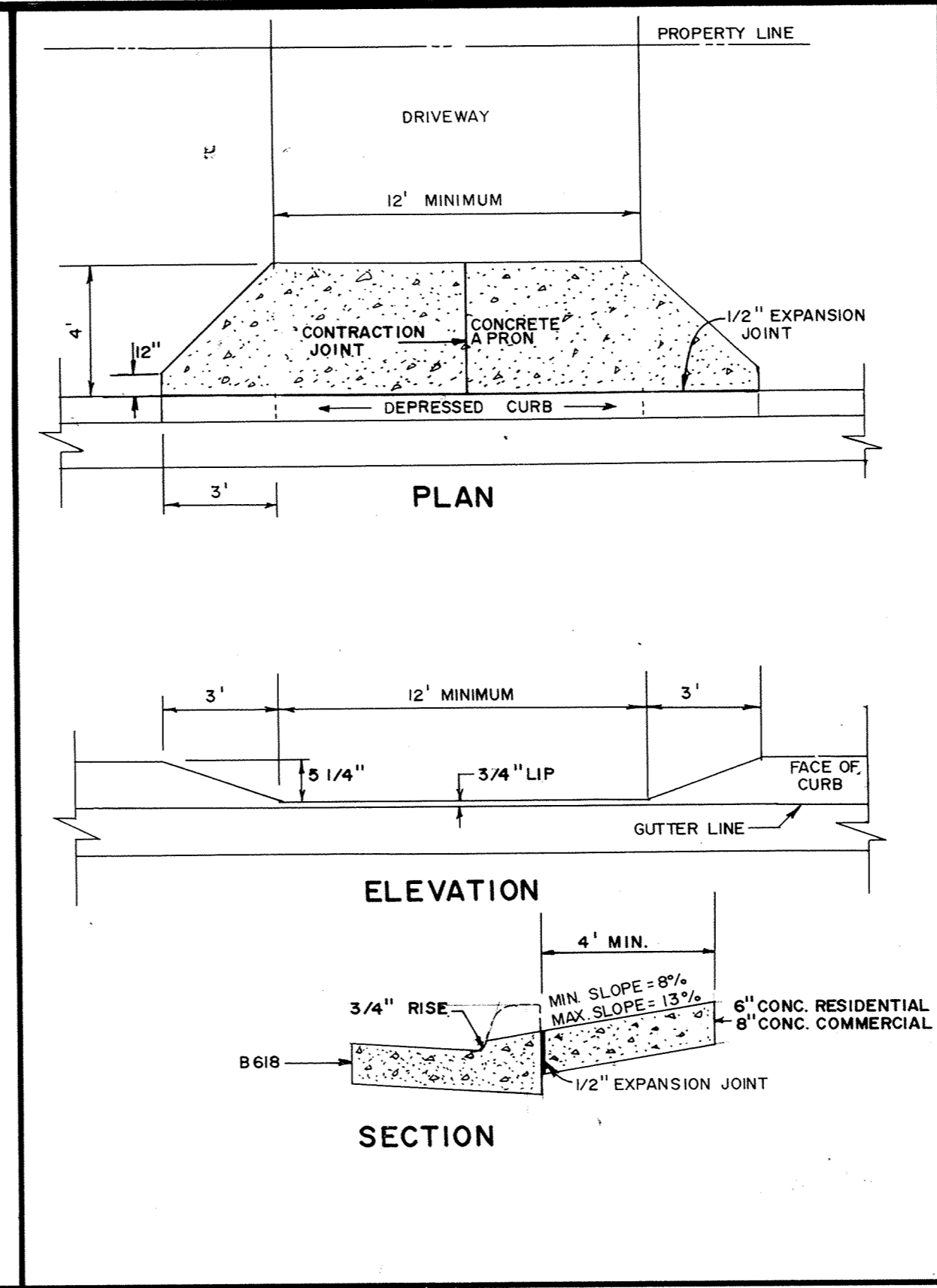


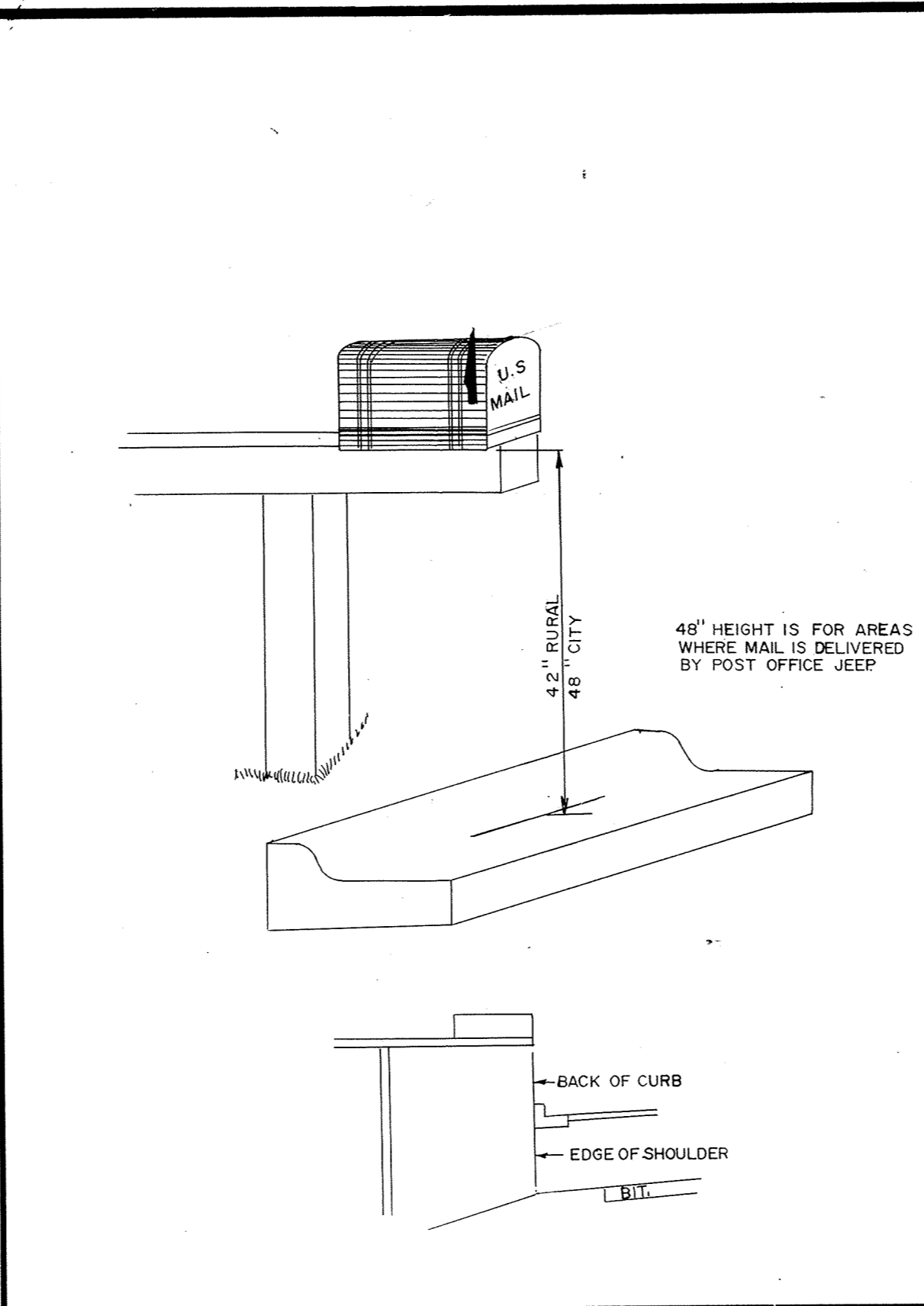
SAECO PRODUCTS • NEW HOPE, MINNESOTA
REVISIONS
DATE DESCRIPTION DESIGNED CHECKED DRAWN GRAPHIC SCALE HORIZ. NONE VERT.



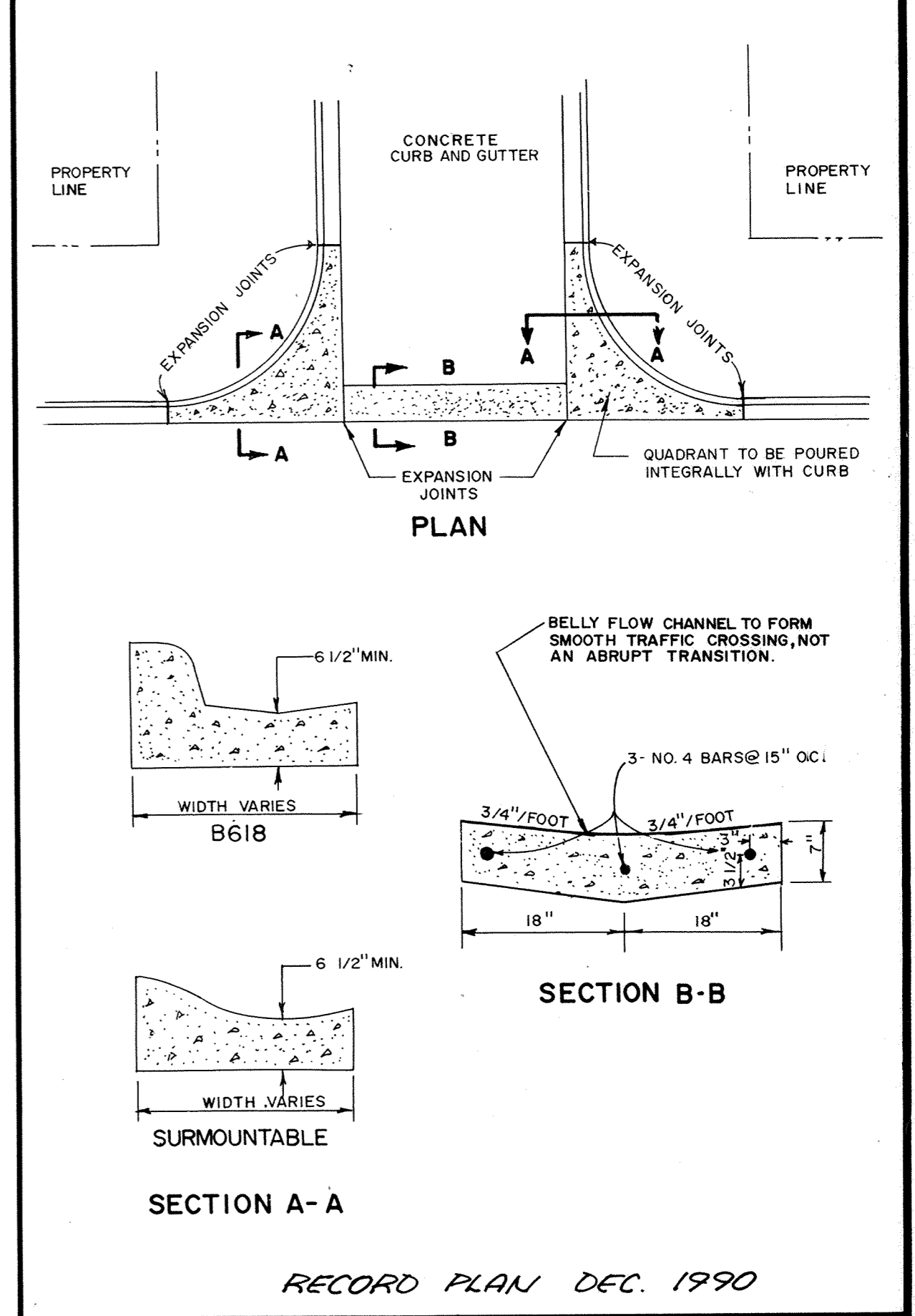
CONCRETE CURB AND GUTTER B618



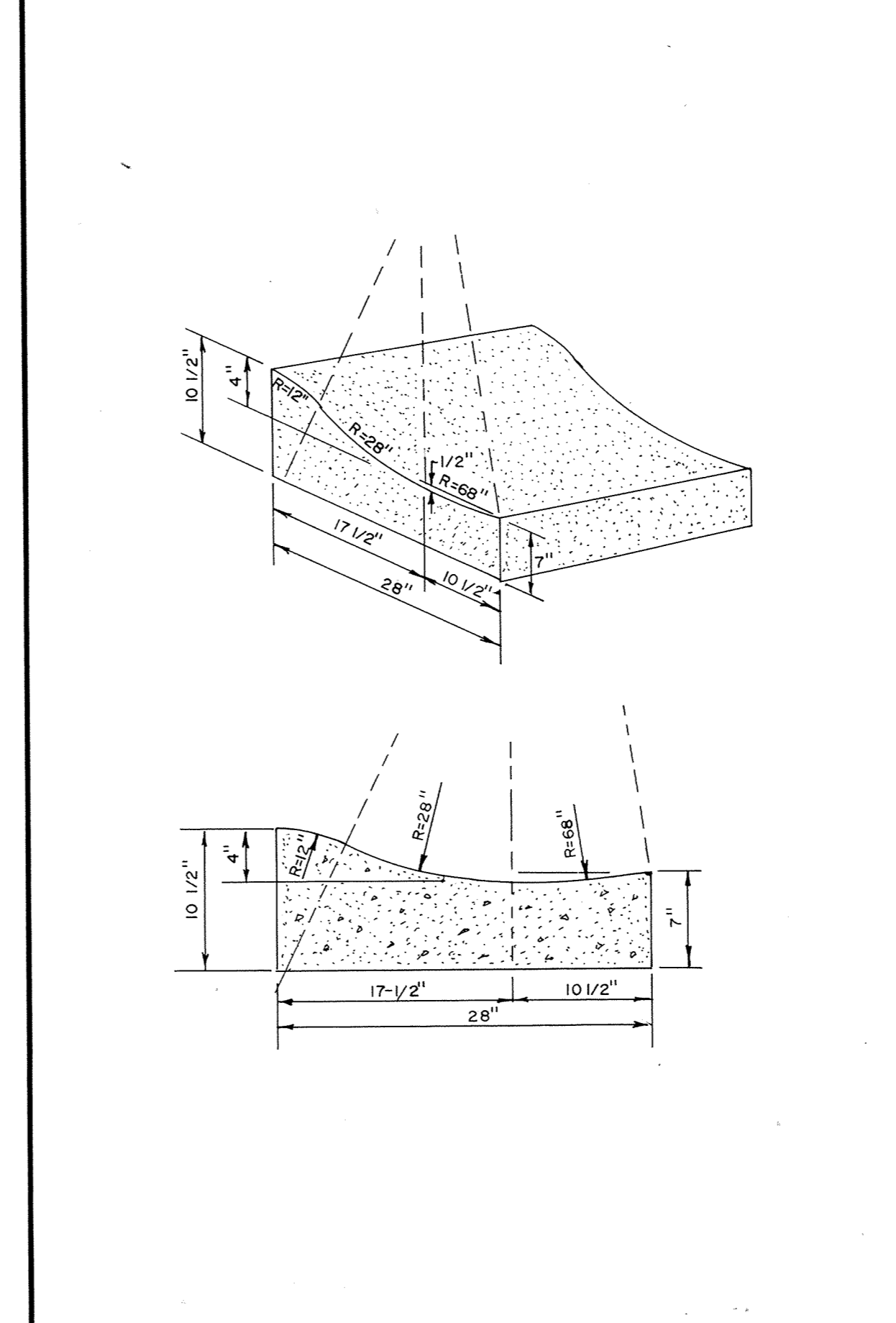
DEPRESSED CURB W/DRIVEWAY APRON



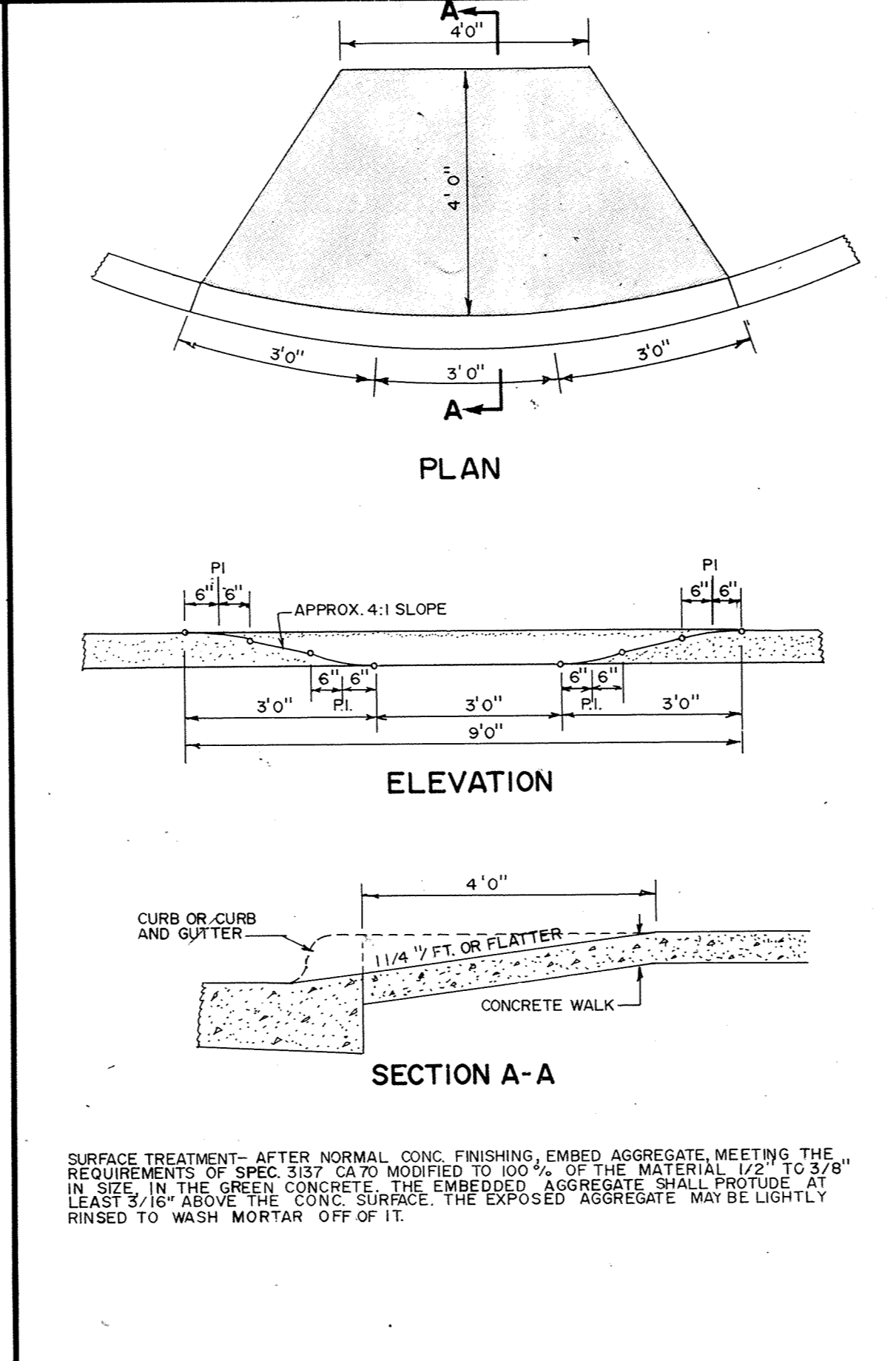
MAIL BOX



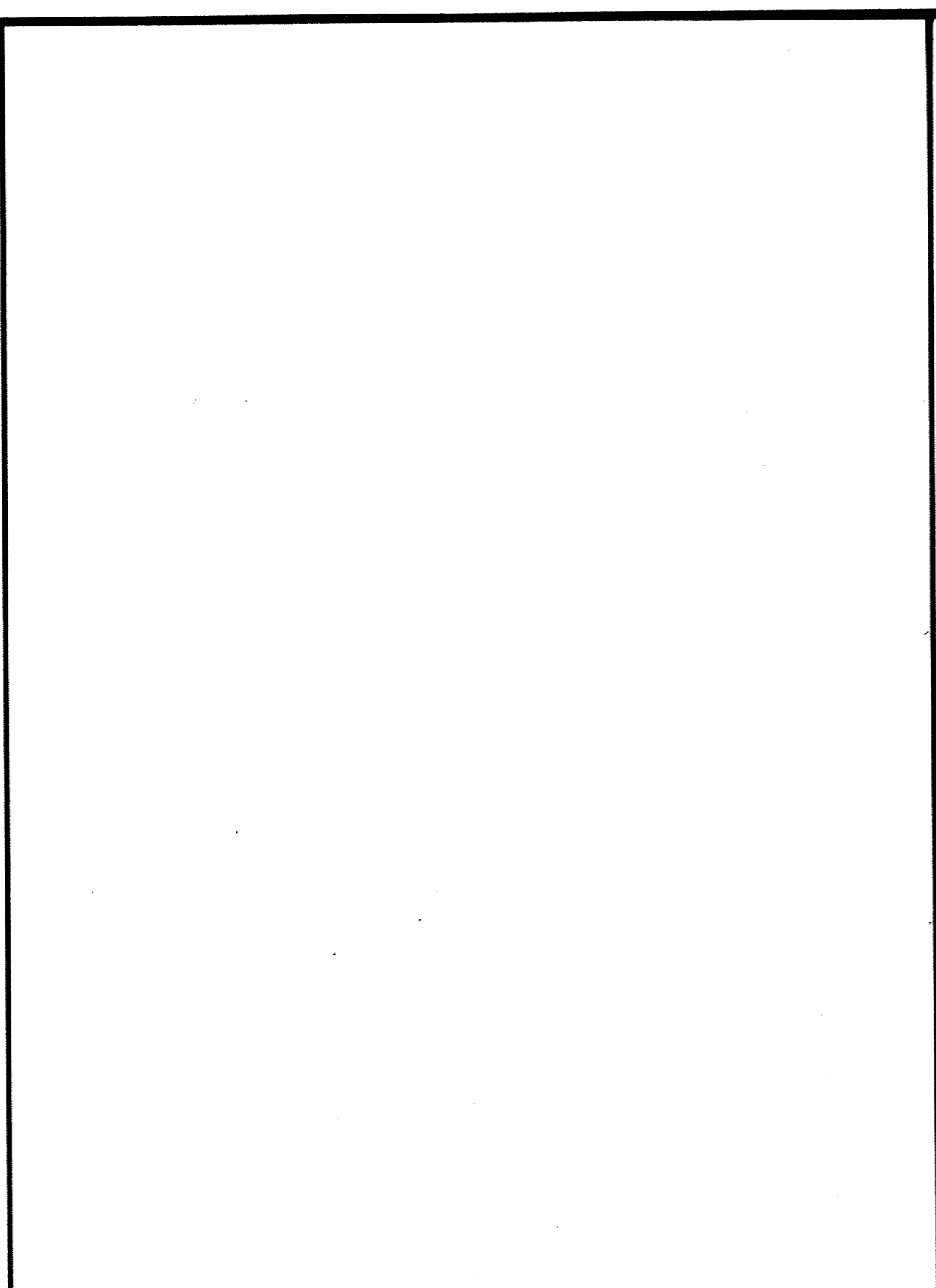
CONCRETE "V" GUTTER



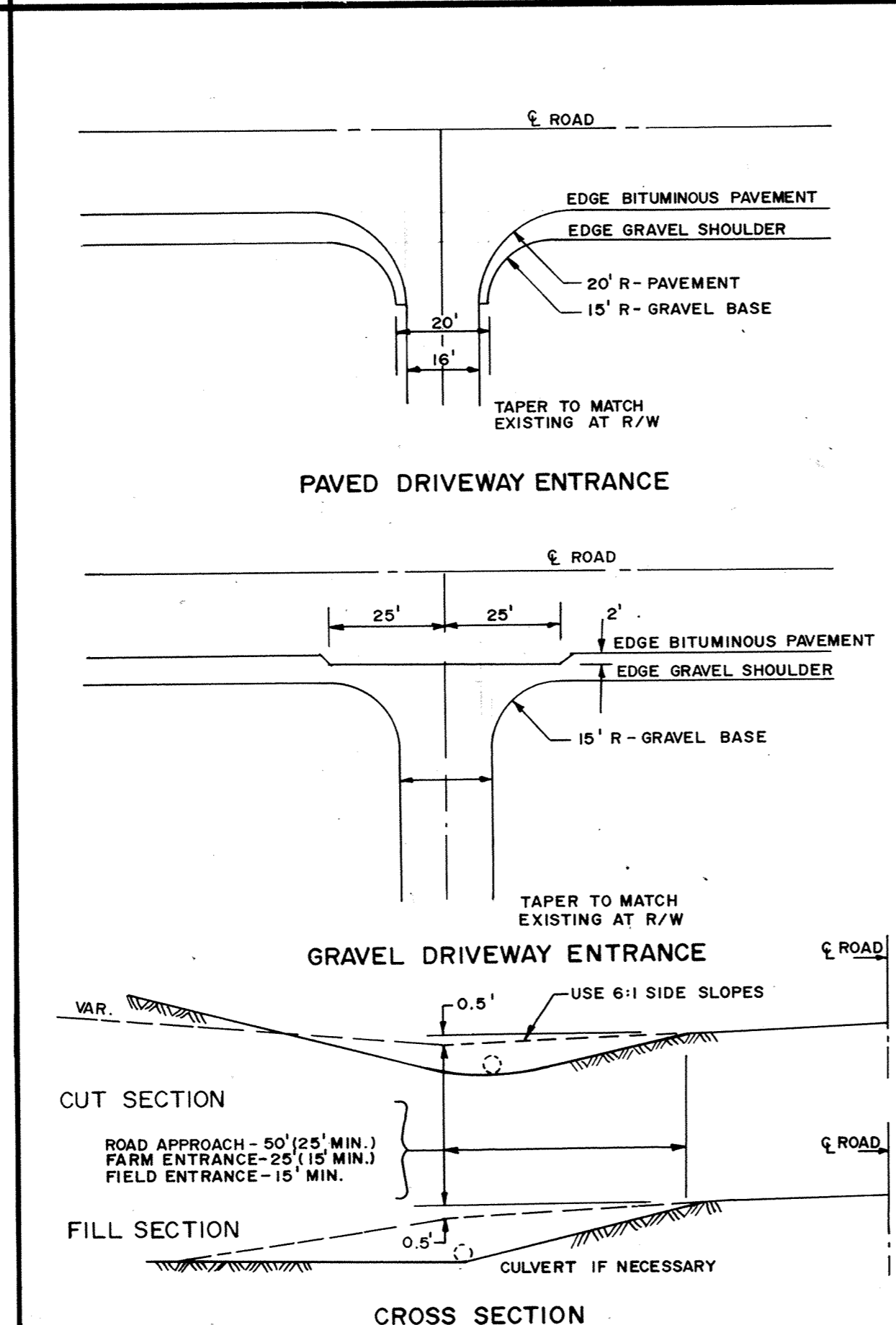
SURMOUNTABLE CONCRETE CURB AND GUTTER



PEDESTRIAN CURB RAMPS



RURAL DRIVEWAY ENTRANCE



PAVED DRIVEWAY ENTRANCE

CONSULTING ENGINEERS
Maier Stewart & Associates Inc.
1959 SLOAN PLACE (612) 774-6021 ST. PAUL, MINNESOTA 55117

CITY OF ELK RIVER
TYLER STREET
STREET CONSTRUCTION DETAILS
SAP 204-114-01

DATE JUNE 1989 SHEET 22A OF 22 SHEETS PROJECT NO. 230-063