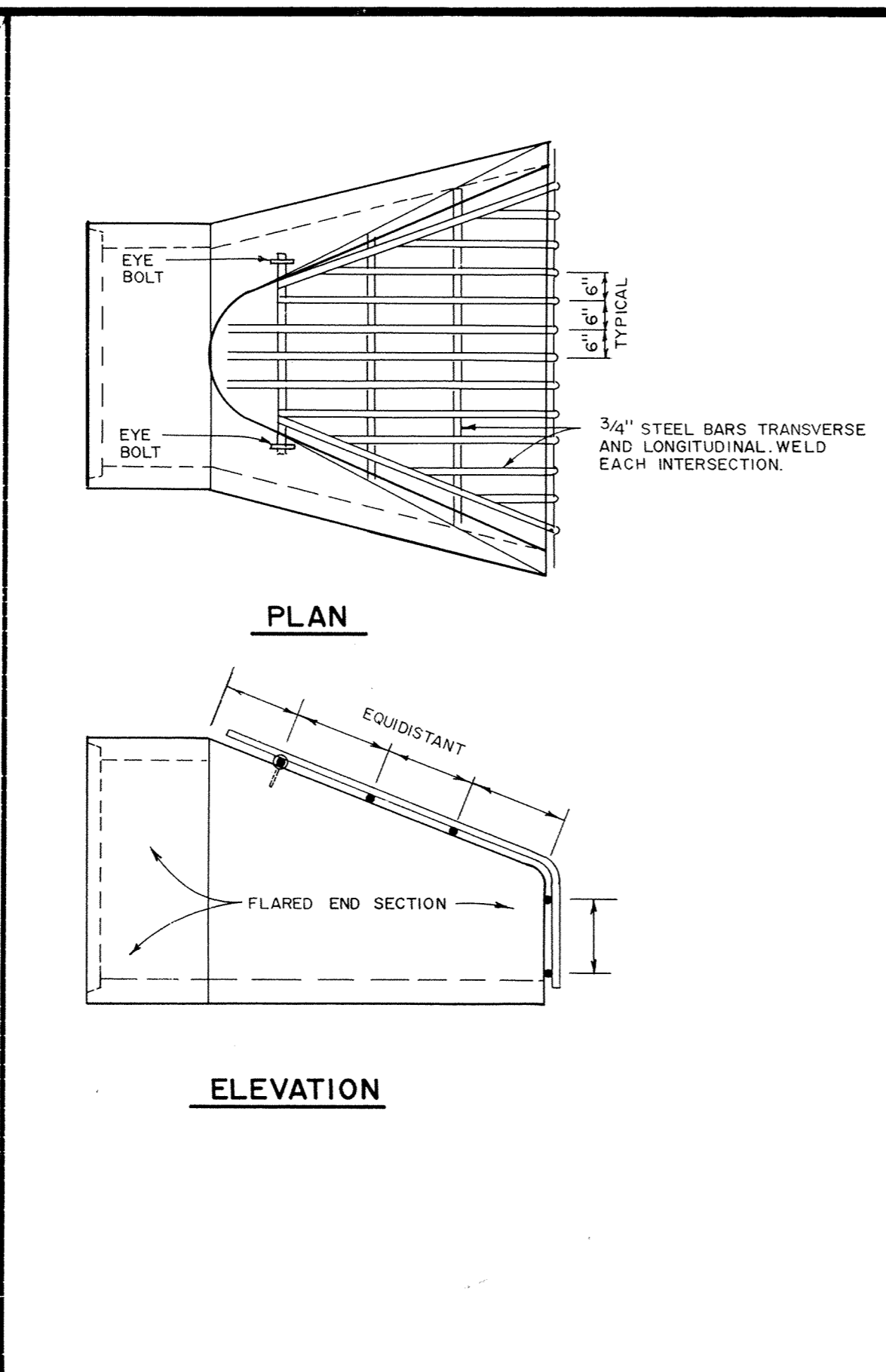
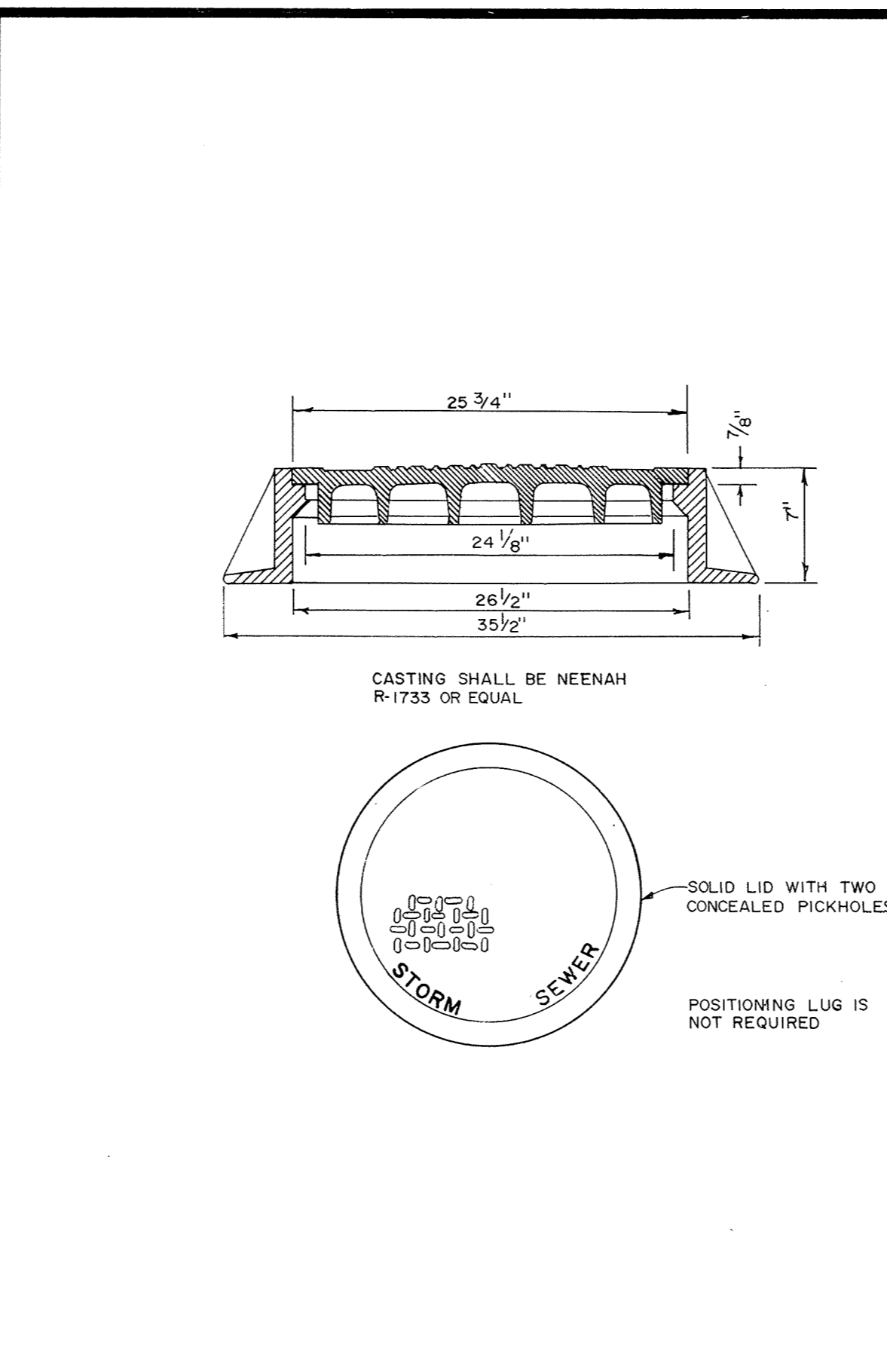


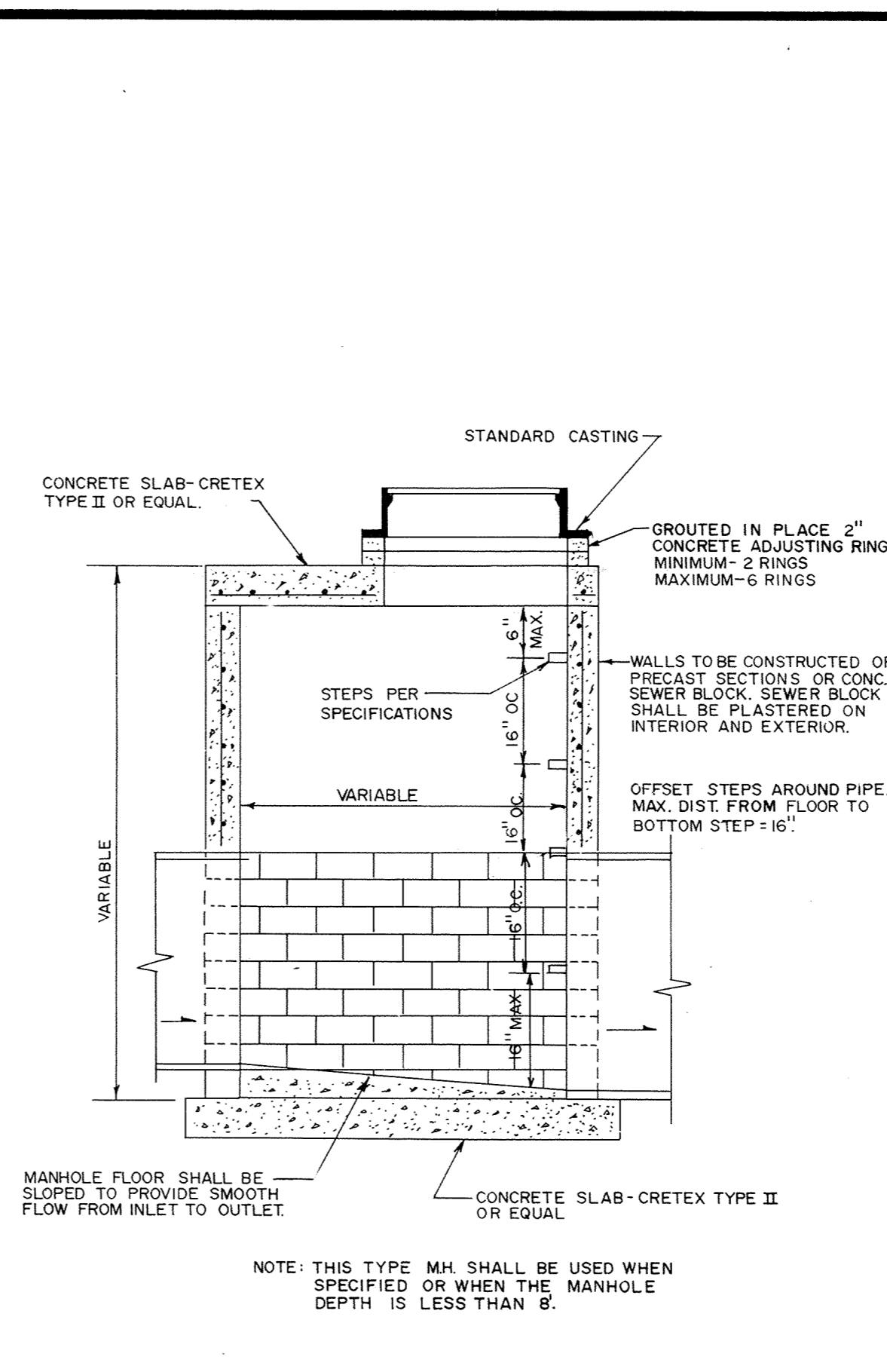
RIP-RAP INSTALLATION



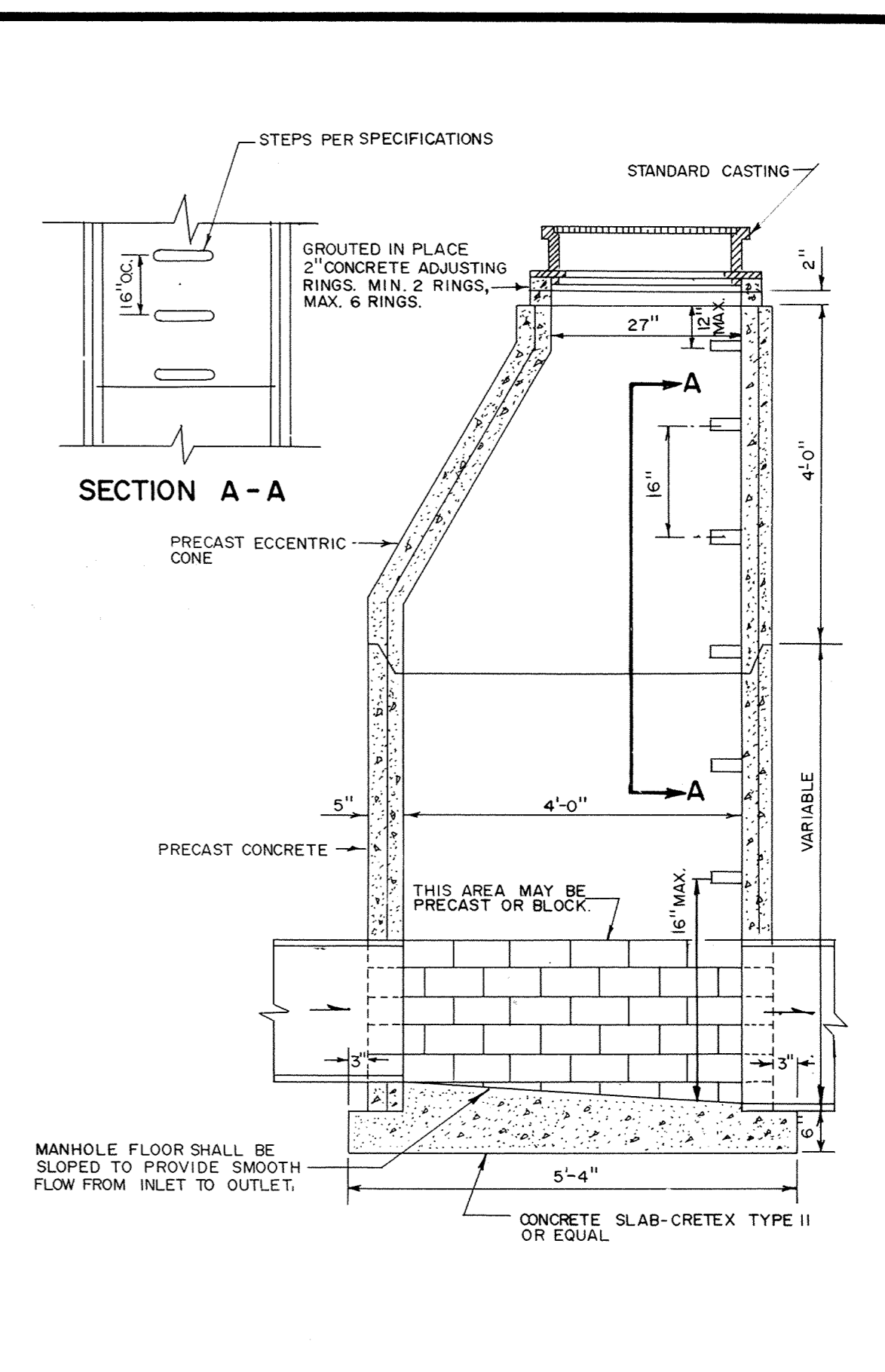
TRASH GUARD



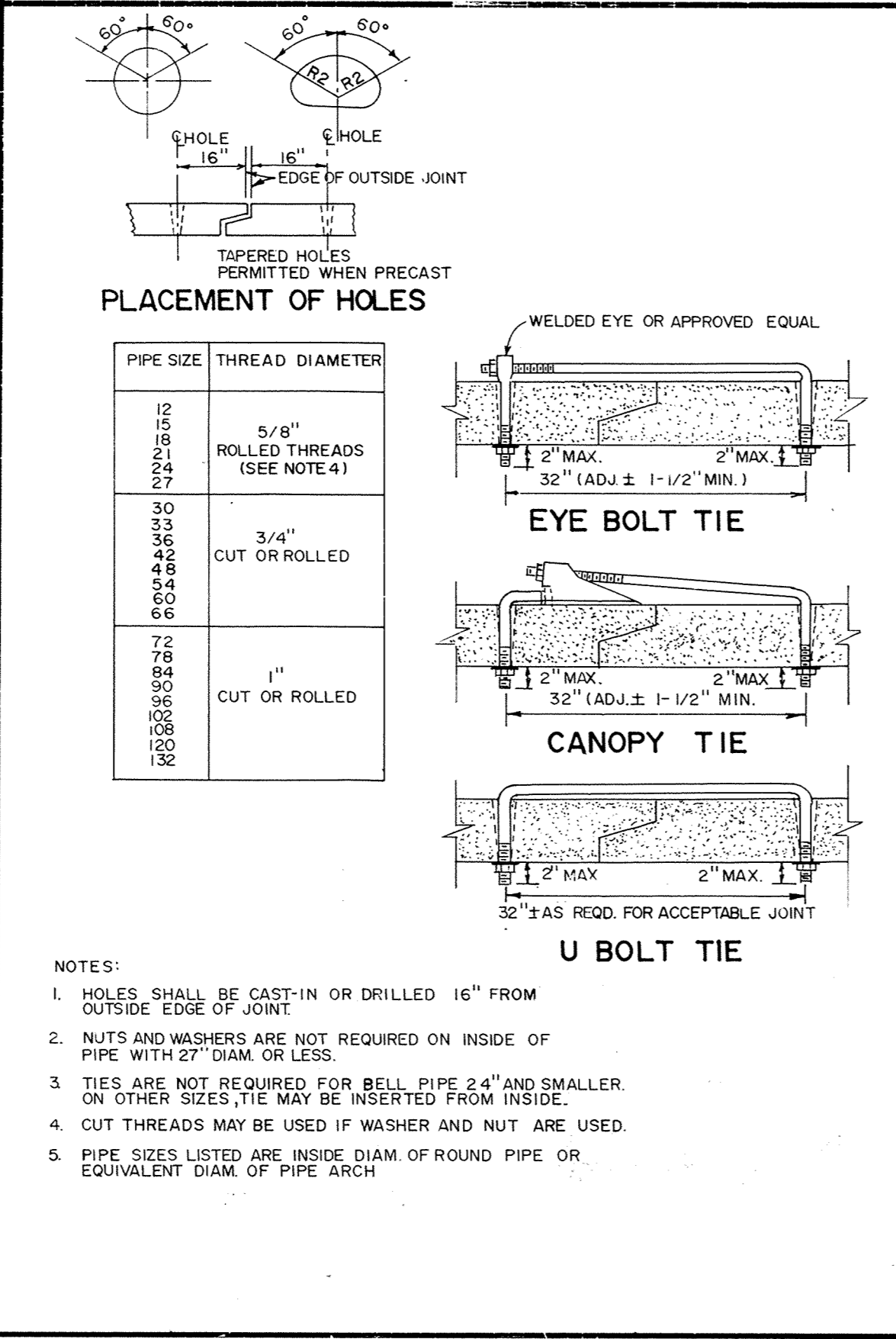
STANDARD MANHOLE CASTING



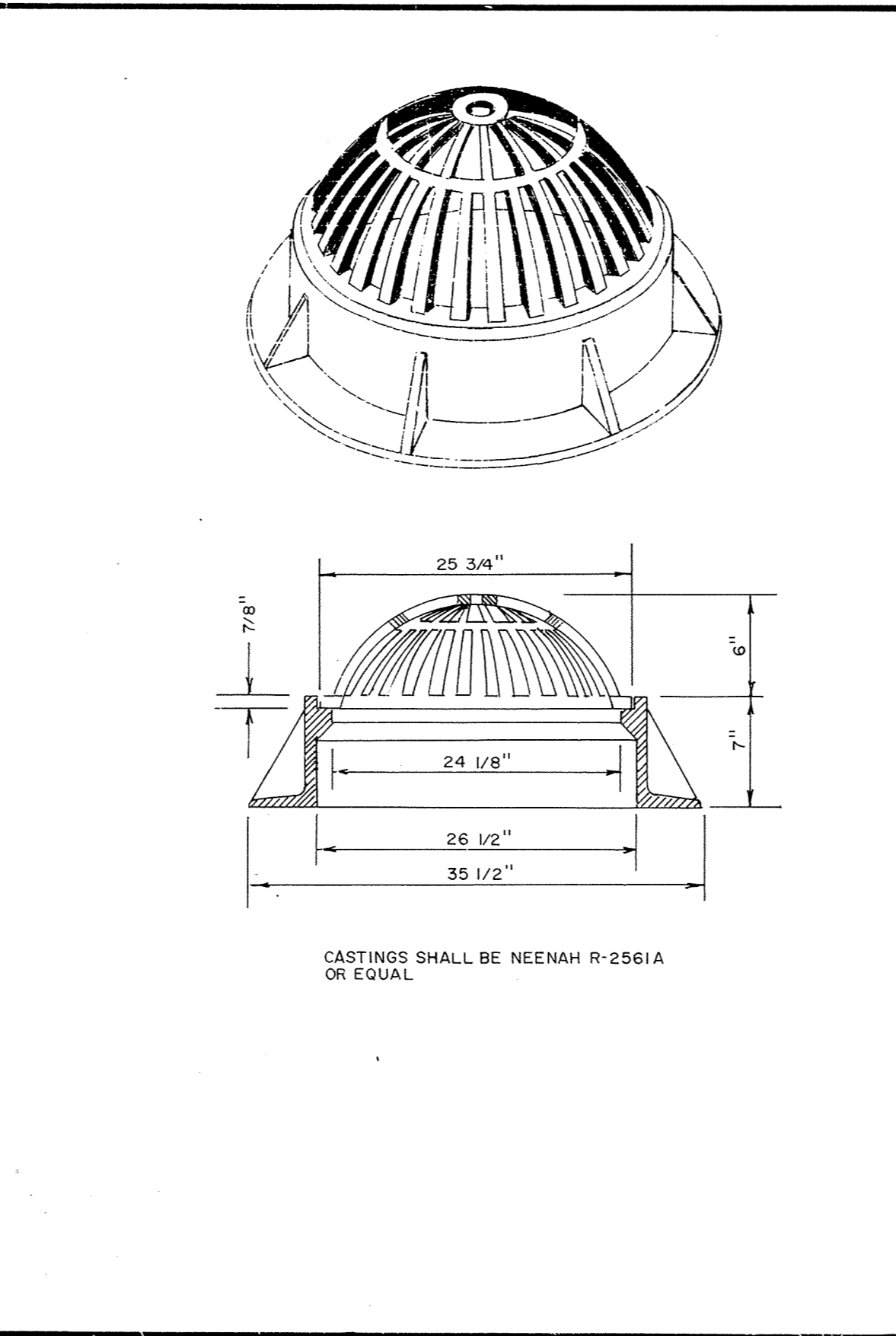
SLAB-TOP MANHOLE



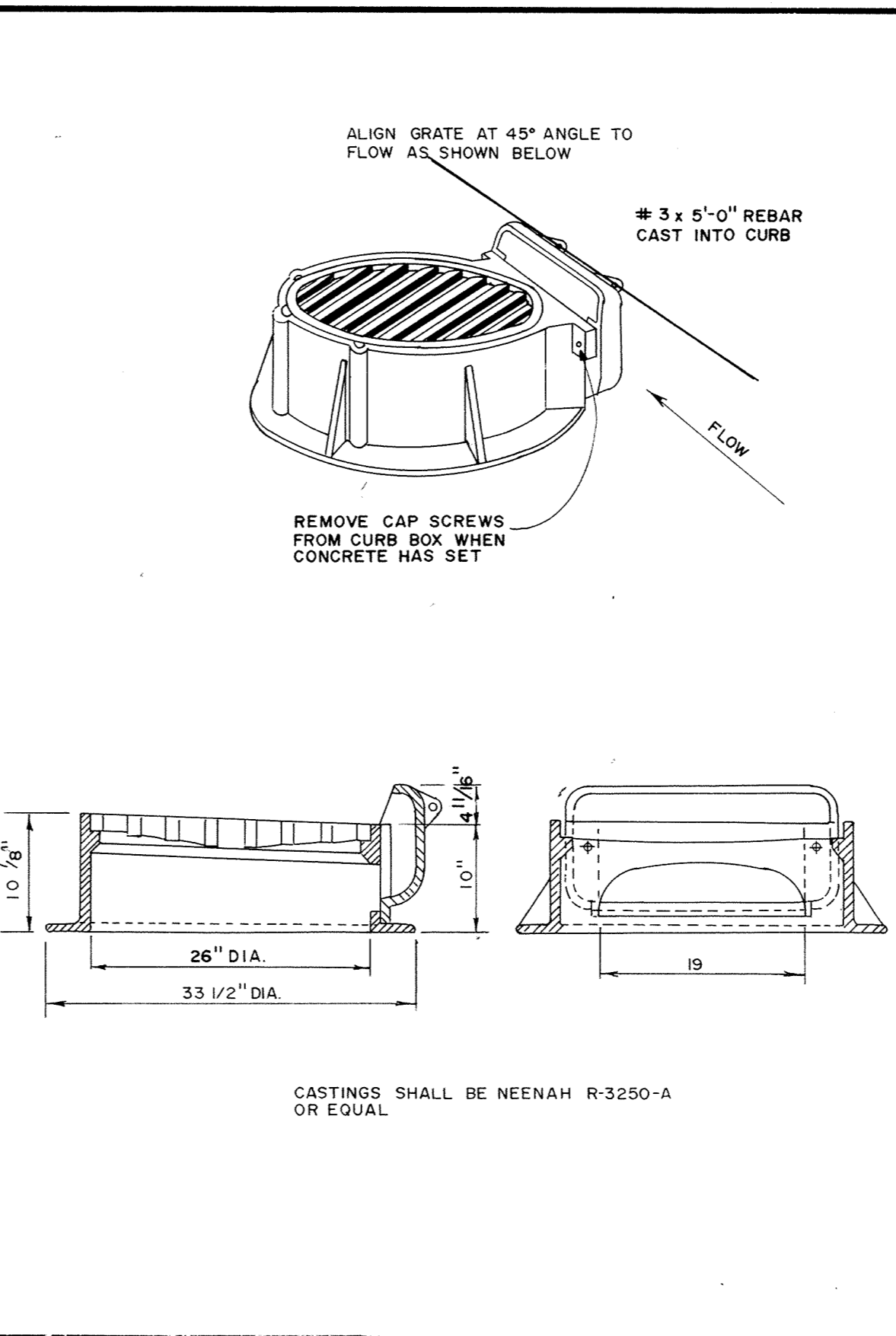
STANDARD MANHOLE



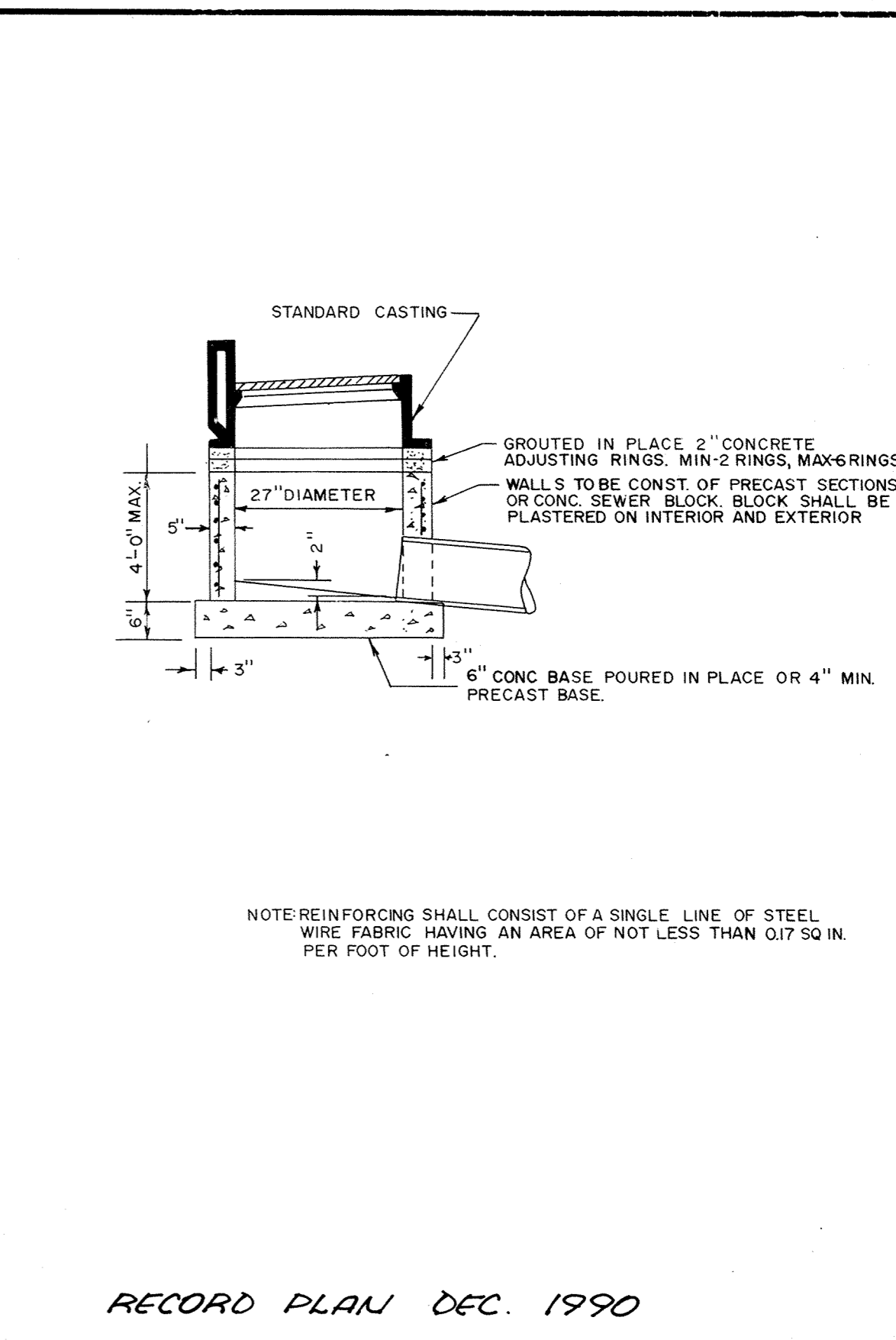
CONCRETE PIPE JOINT TIES



BEEHIVE CASTING



STANDARD INLET CASTING



SHALLOW CATCH BASIN

<p>Maier Stewart & Associates Inc. 1959 SLOAN PLACE (612) 774-6021 ST. PAUL, MINNESOTA 55117</p>	<p>DATE <u>APRIL 1989</u></p> <p>DESCRIPTION</p> <p>DESIGNED _____</p> <p>CHECKED _____</p> <p>DRAWN <u>MRJ</u></p> <p>GRAPHIC SCALE</p> <p>0 HORIZ NONE</p> <p>0 VERT.</p>	<p>CITY OF ELK RIVER</p> <p>STREET AND</p> <p>STORM SEWER DETAILS</p> <p>SAP 204-114-01</p>	<p>DATE <u>APRIL 1989</u></p> <p>SHEET <u>22</u> OF <u>22</u> SHEETS</p> <p>PROJECT NO. <u>230-063</u></p>
	<p>REVISIONS</p>	<p>RECORD PLAN DEC. 1990</p>	<p>DRAWING NUMBER</p> <p>TYLER 90</p>

SAFCO PRODUCTS • NEW HAMBURG, MINNESOTA
 SAFCO PRODUCTS • NEW HAMBURG, MINNESOTA
 SAFCO PRODUCTS • NEW HAMBURG, MINNESOTA
 SAFCO PRODUCTS • NEW HAMBURG, MINNESOTA