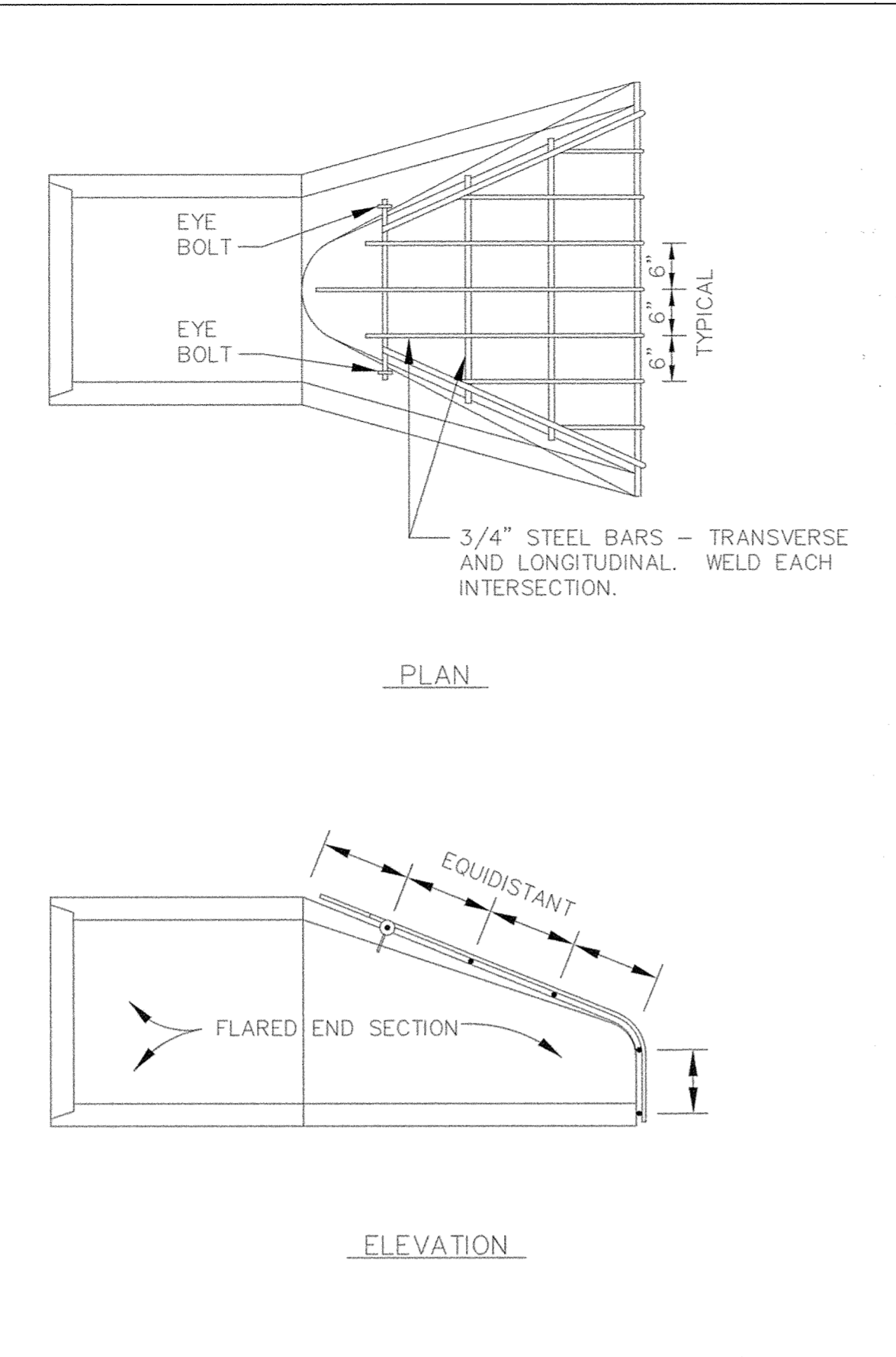
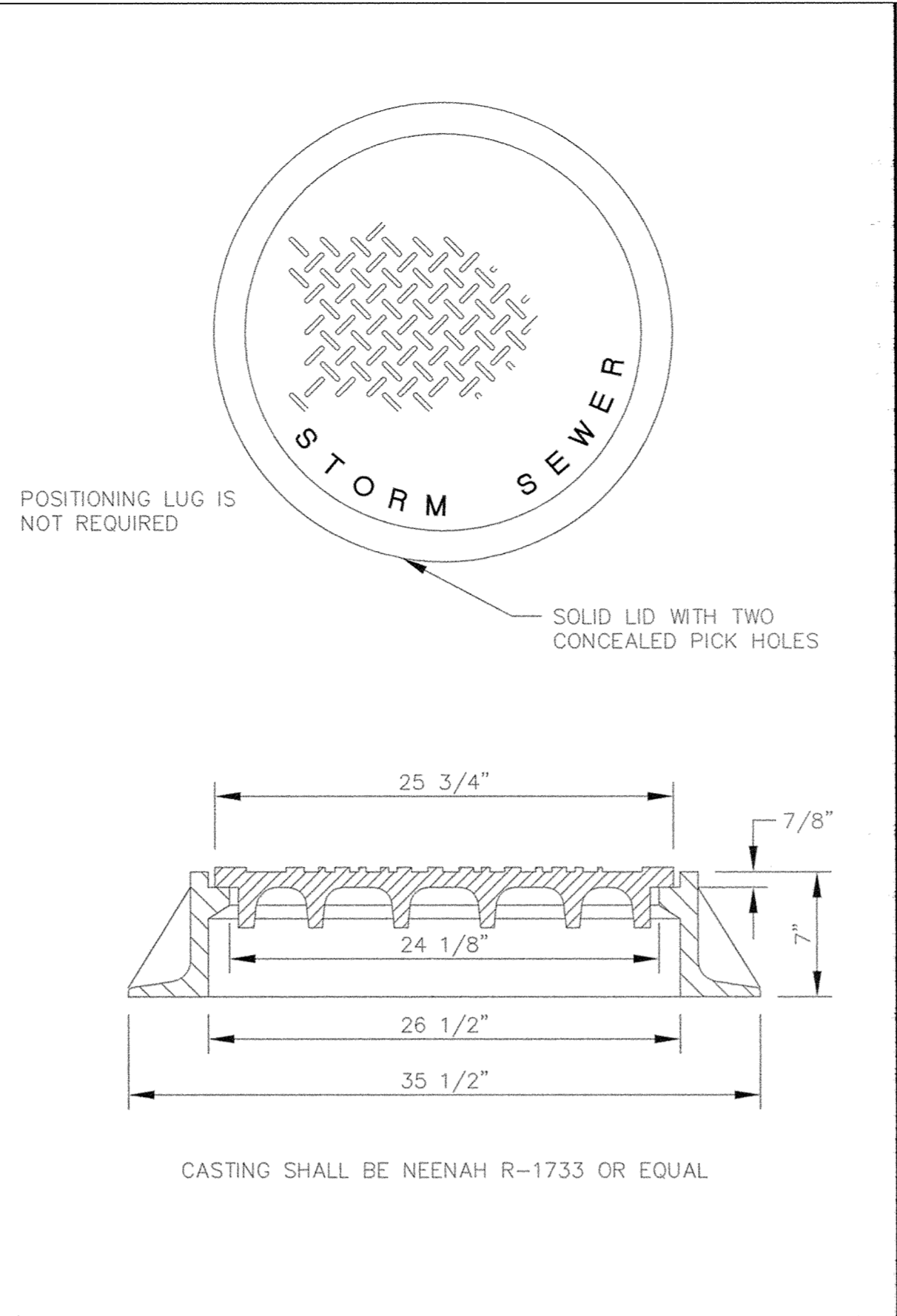


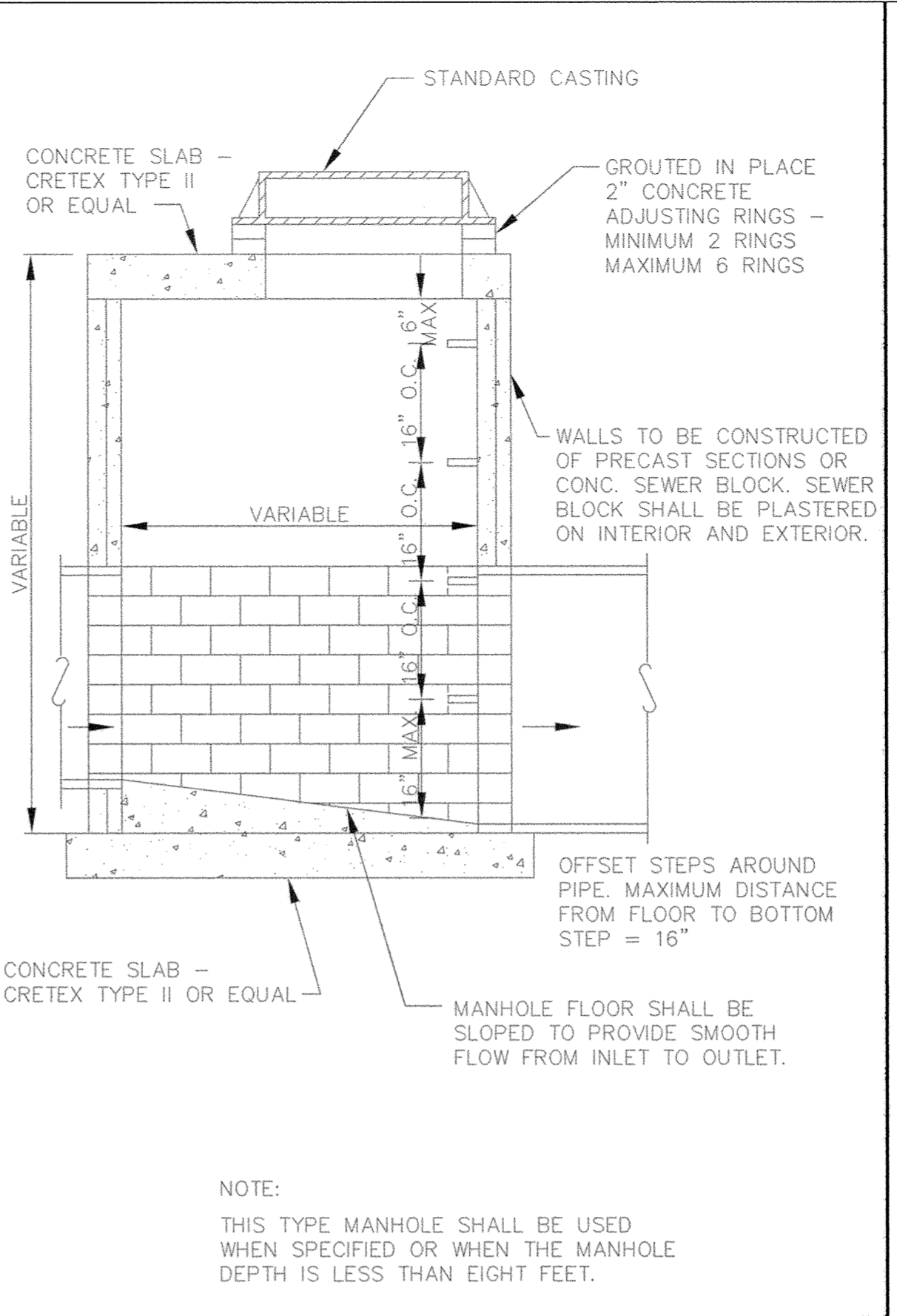
RIP-RAP INSTALLATION



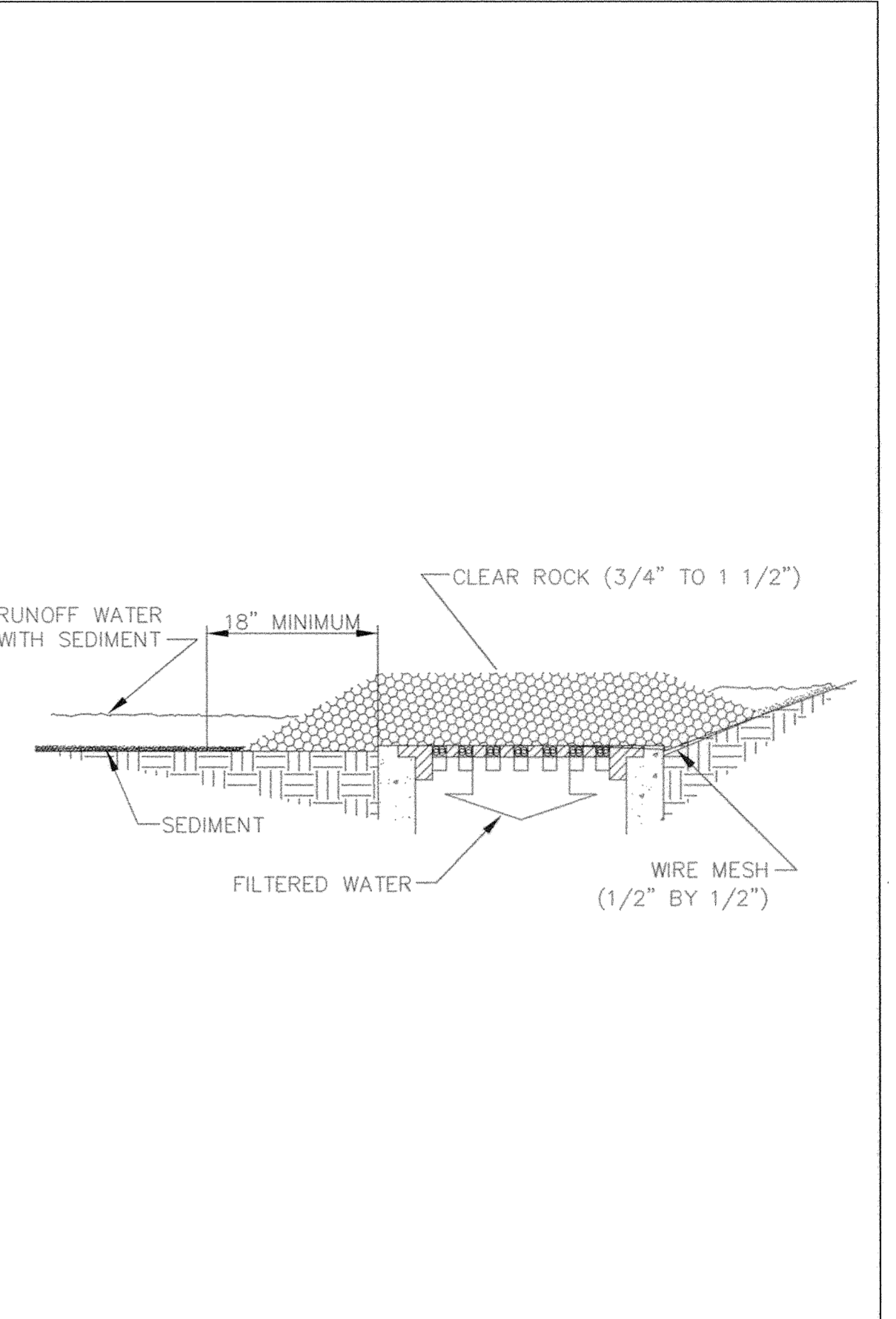
TRASH GUARD



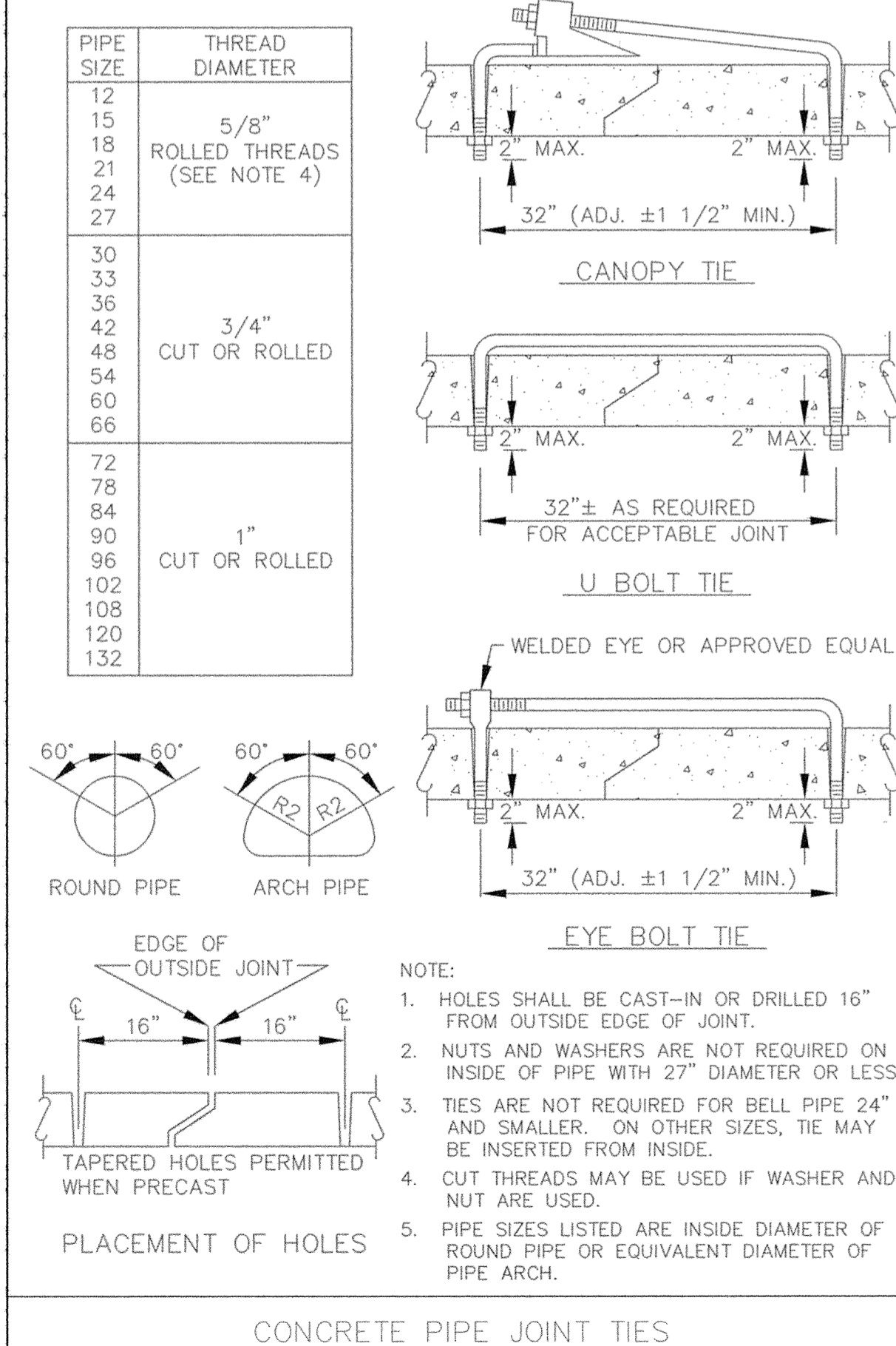
STANDARD MANHOLE CASTING



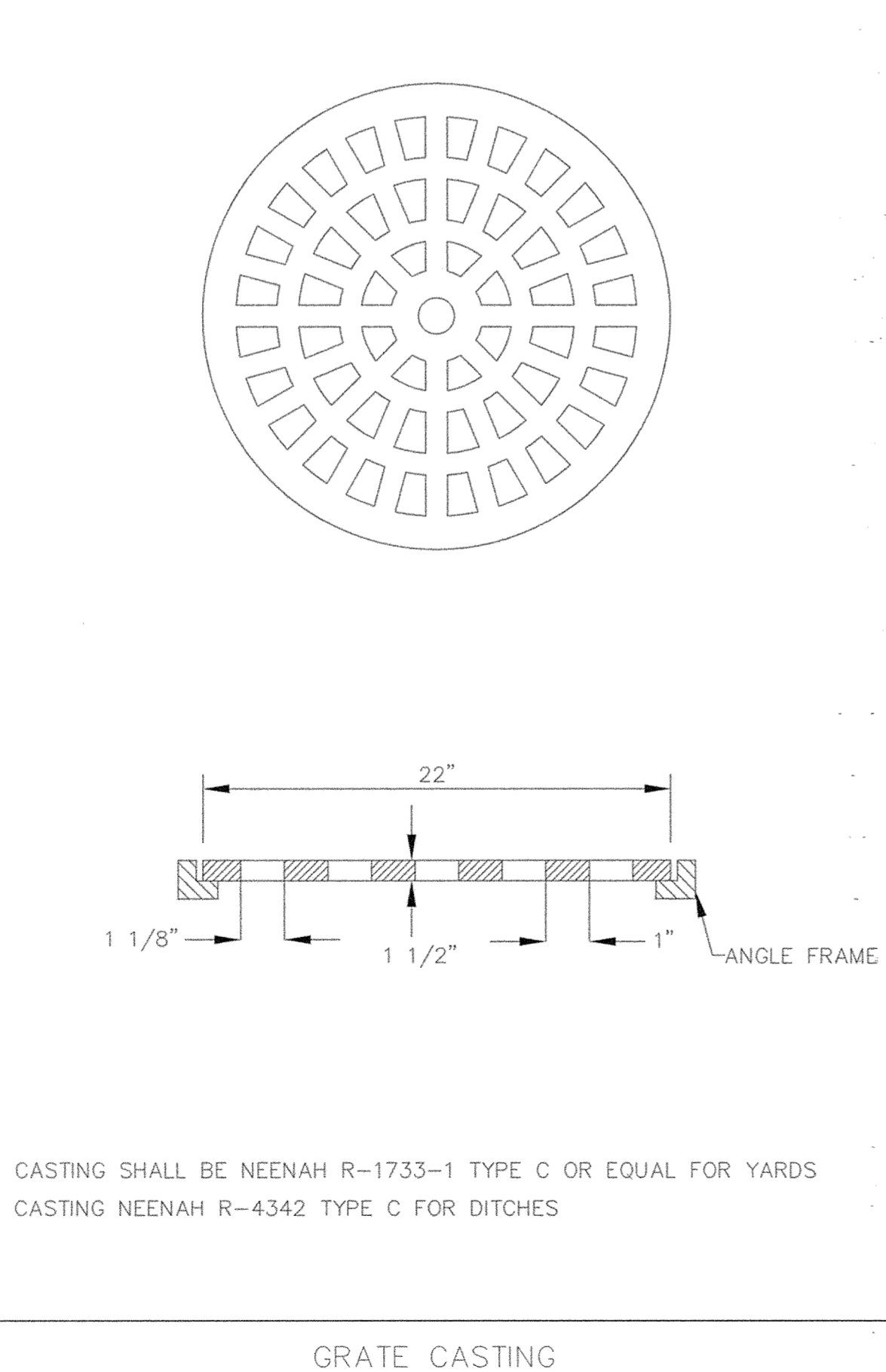
SLAB TOP MANHOLE



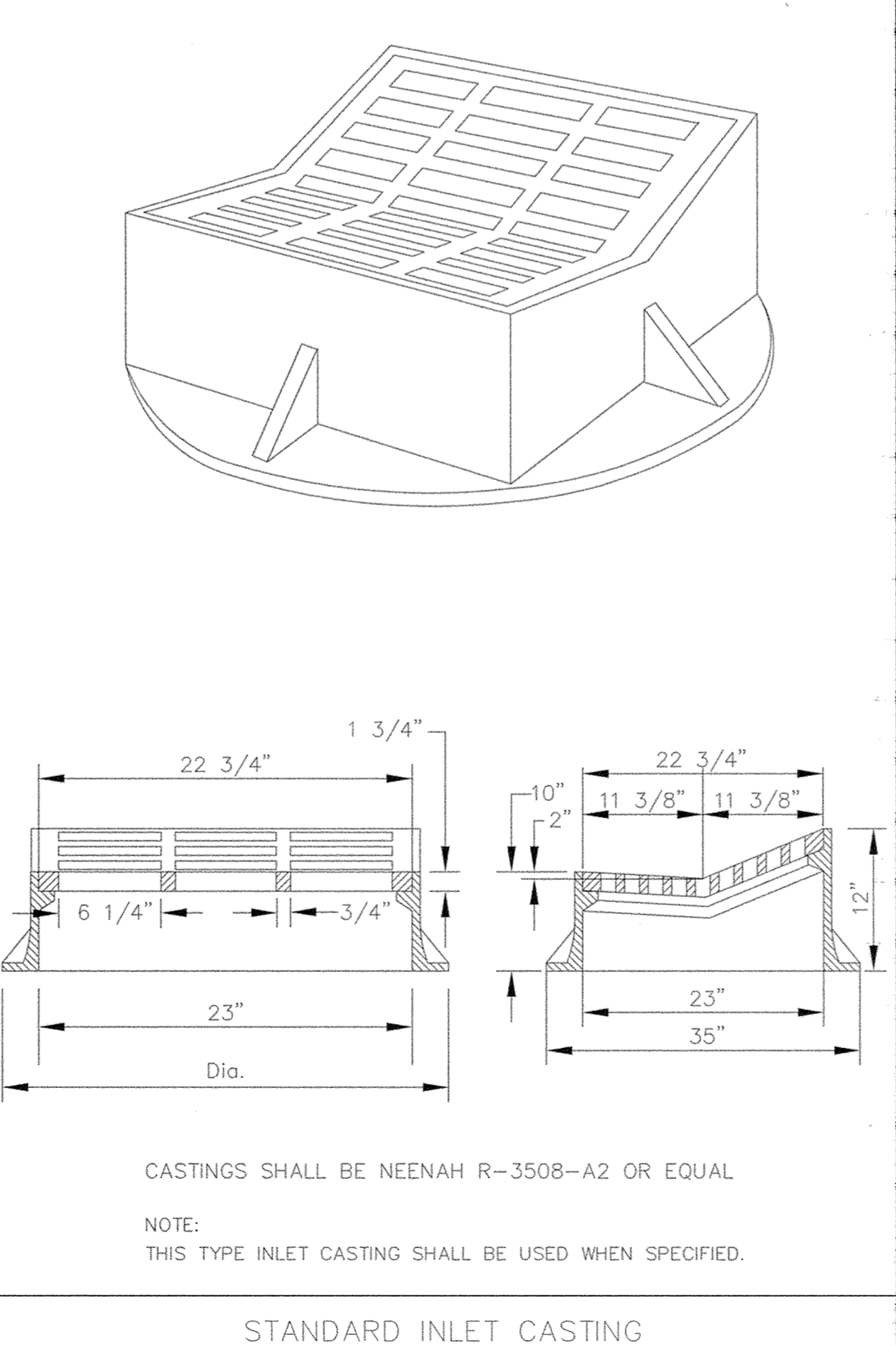
CATCH BASIN SEDIMENTATION BARRIER



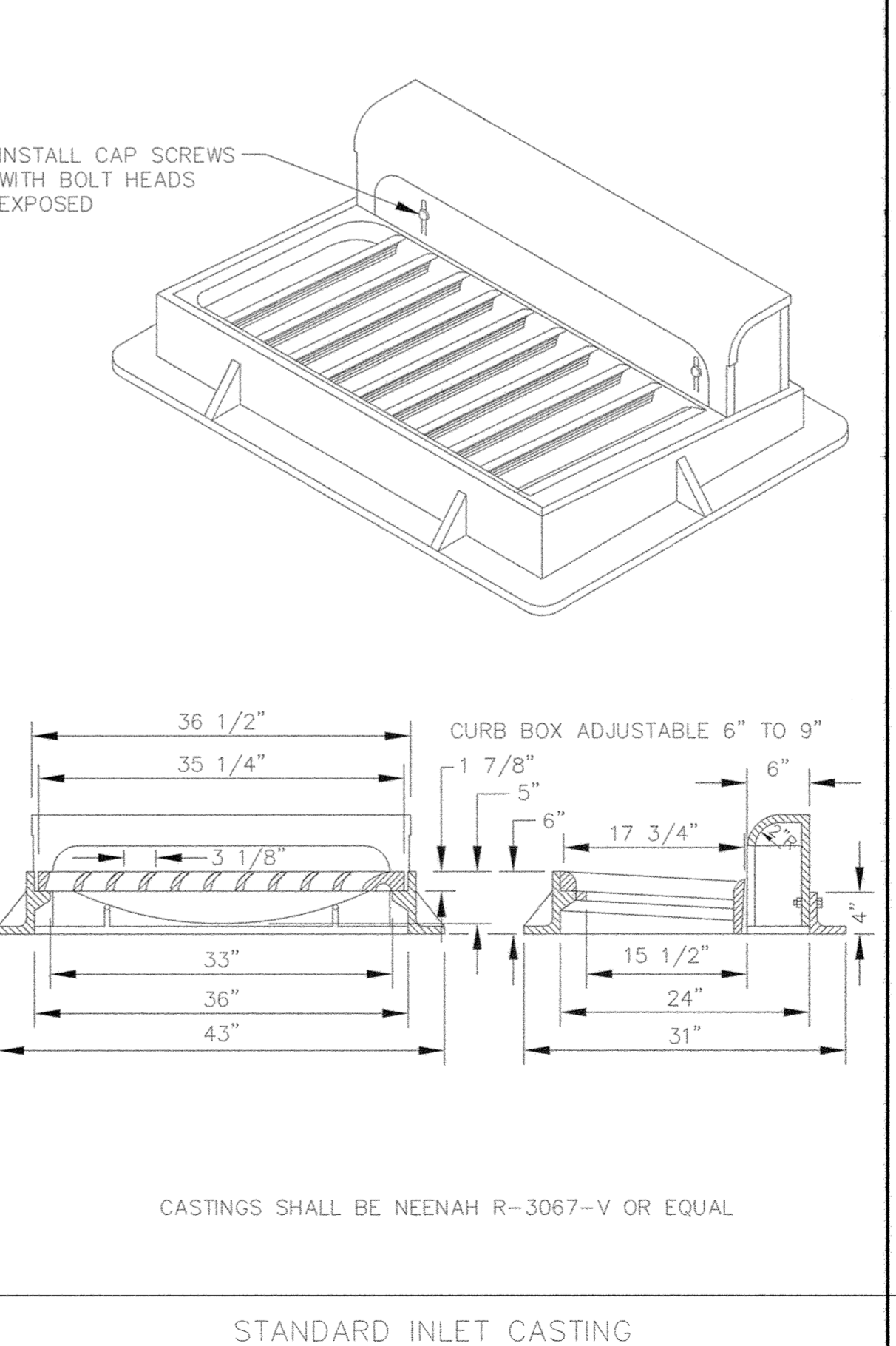
CONCRETE PIPE JOINT TIES



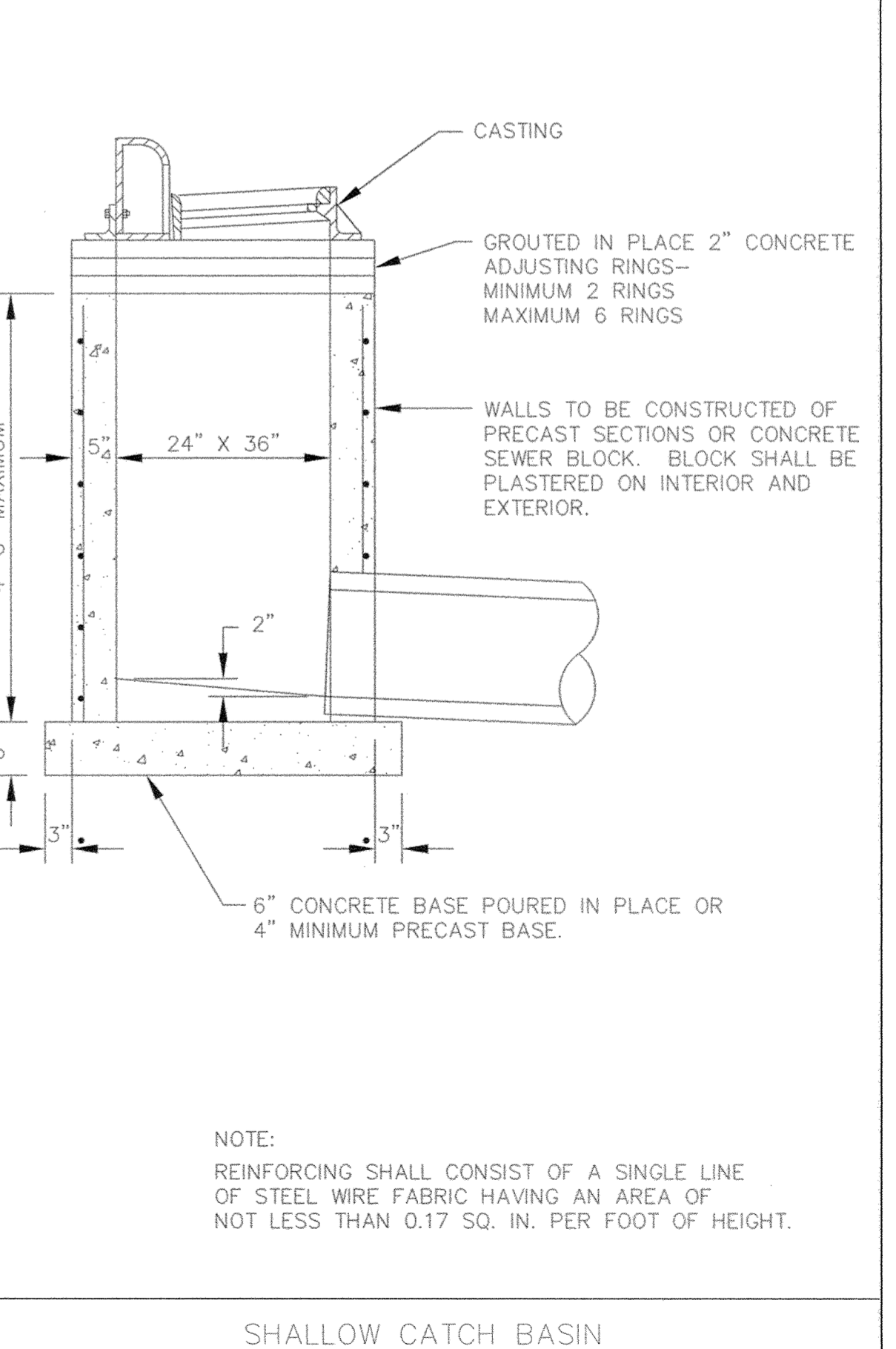
GRATE CASTING



STANDARD INLET CASTING



STANDARD INLET CASTING



SHALLOW CATCH BASIN

DESIGNED BY: \_\_\_\_\_ DRAWN BY: RM  
 APPROVED BY: \_\_\_\_\_ JOB NUMBER 804411J  
 CAD DATE: January 20, 2005 1:37:05 p.m.  
 CAD FILE: 809782\ASBUILT\Phase2\809782-SM.DWG

I HEREBY CERTIFY THAT THIS PLAN, SPECIFICATION, OR REPORT WAS PREPARED BY ME OR UNDER MY DIRECT SUPERVISION AND THAT I AM A DULY LICENSED PROFESSIONAL ENGINEER UNDER THE LAWS OF THE STATE OF MINNESOTA.

SIGNATURE \_\_\_\_\_ DATE \_\_\_\_\_  
 PRINTED NAME JOHN M. ANDERSON U.C.NO. 25889

NO.	DATE	BY	REVISION DESCRIPTION

1326 ENERGY PARK DRIVE  
 ST. PAUL, MINNESOTA 55108  
 (651) 644-4389

**Howard R. Green Company**  
 CONSULTING ENGINEERS

**CITY OF ELK RIVER**  
**TWIN LAKES TOWNHOMES 2ND ADDITION**  
**STREET AND UTILITY IMPROVEMENTS**

**STORM SEWER CONSTRUCTION DETAILS**

SHEET NO.  
**D3**

DRAWING NUMBER

DRAWING NUMBER

DRAWING NUMBER

DRAWING NUMBER  
 TWINL2.05  
 9