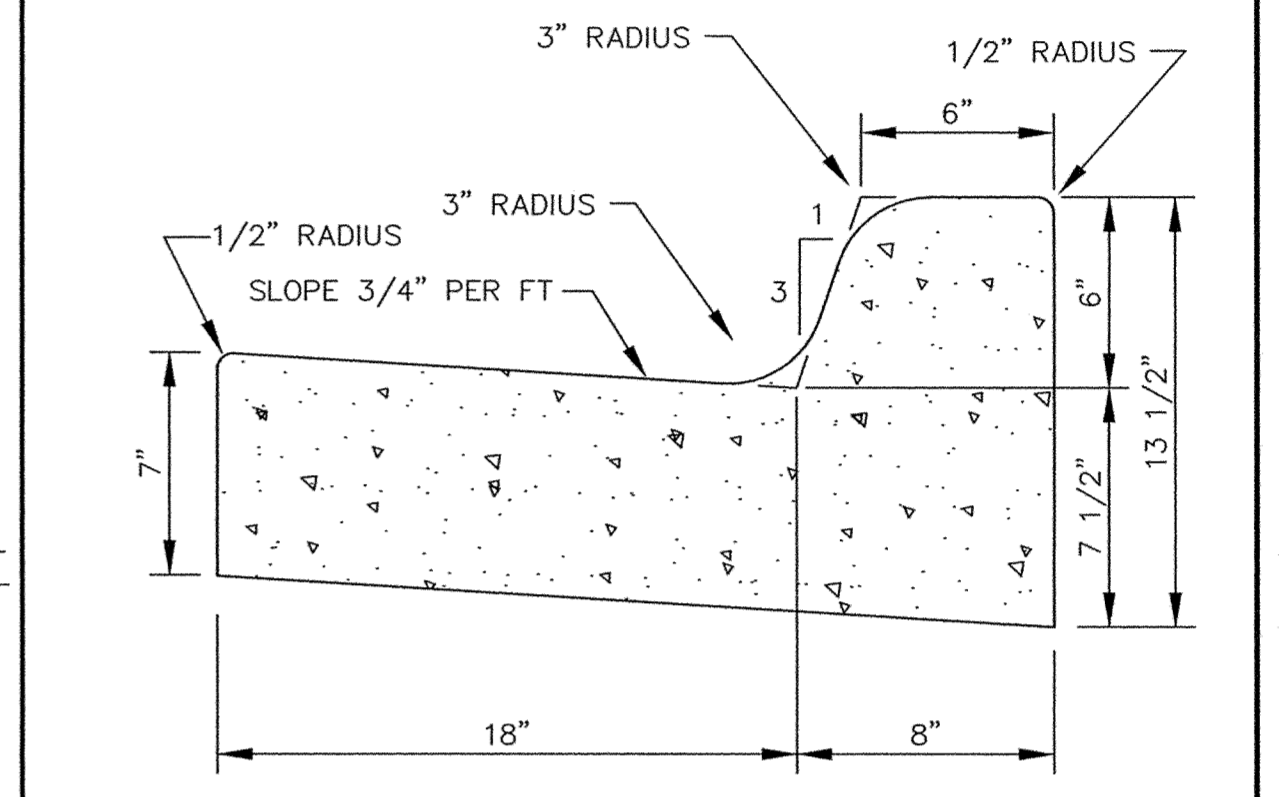
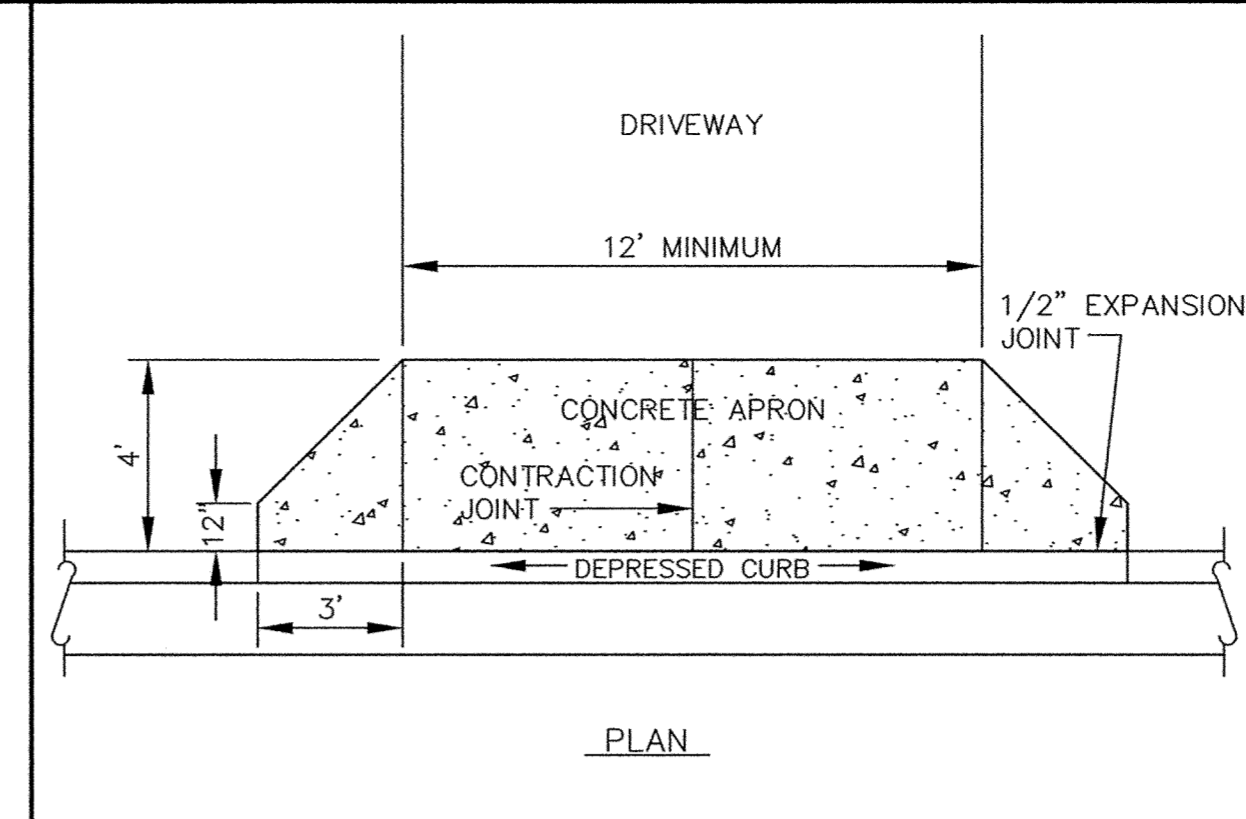


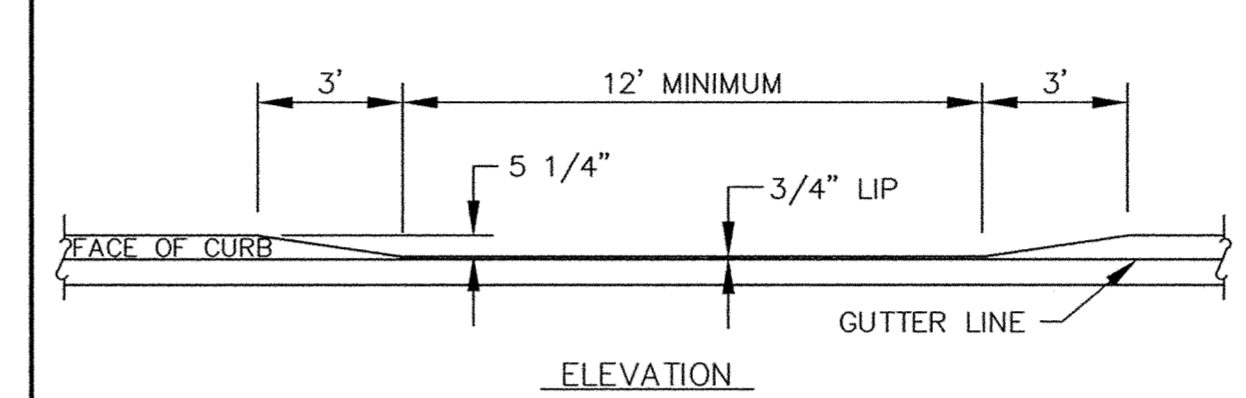
SURMOUNTABLE CONCRETE CURB AND GUTTER



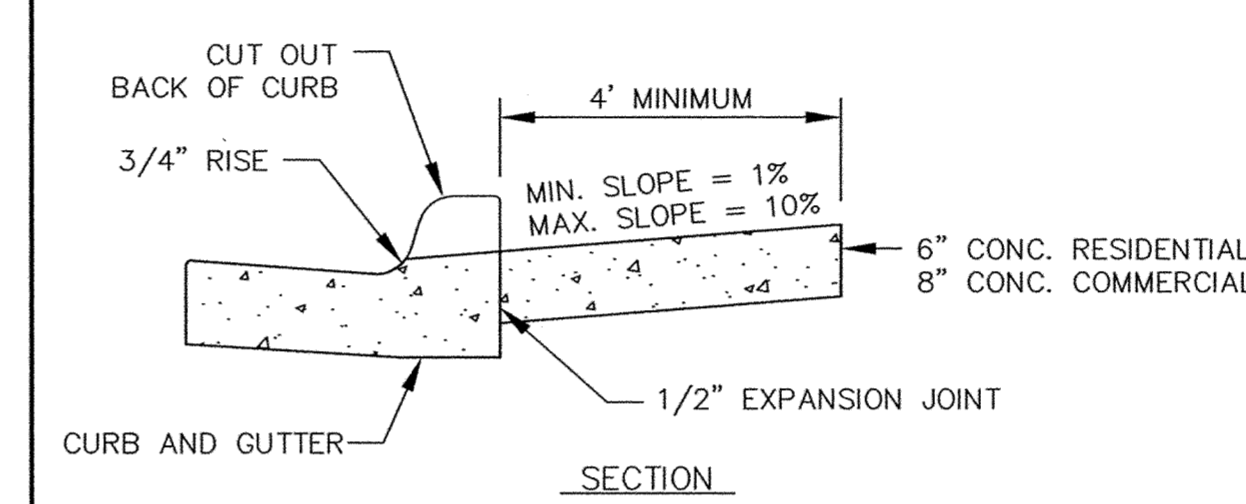
CONCRETE CURB AND GUTTER B618



PLAN

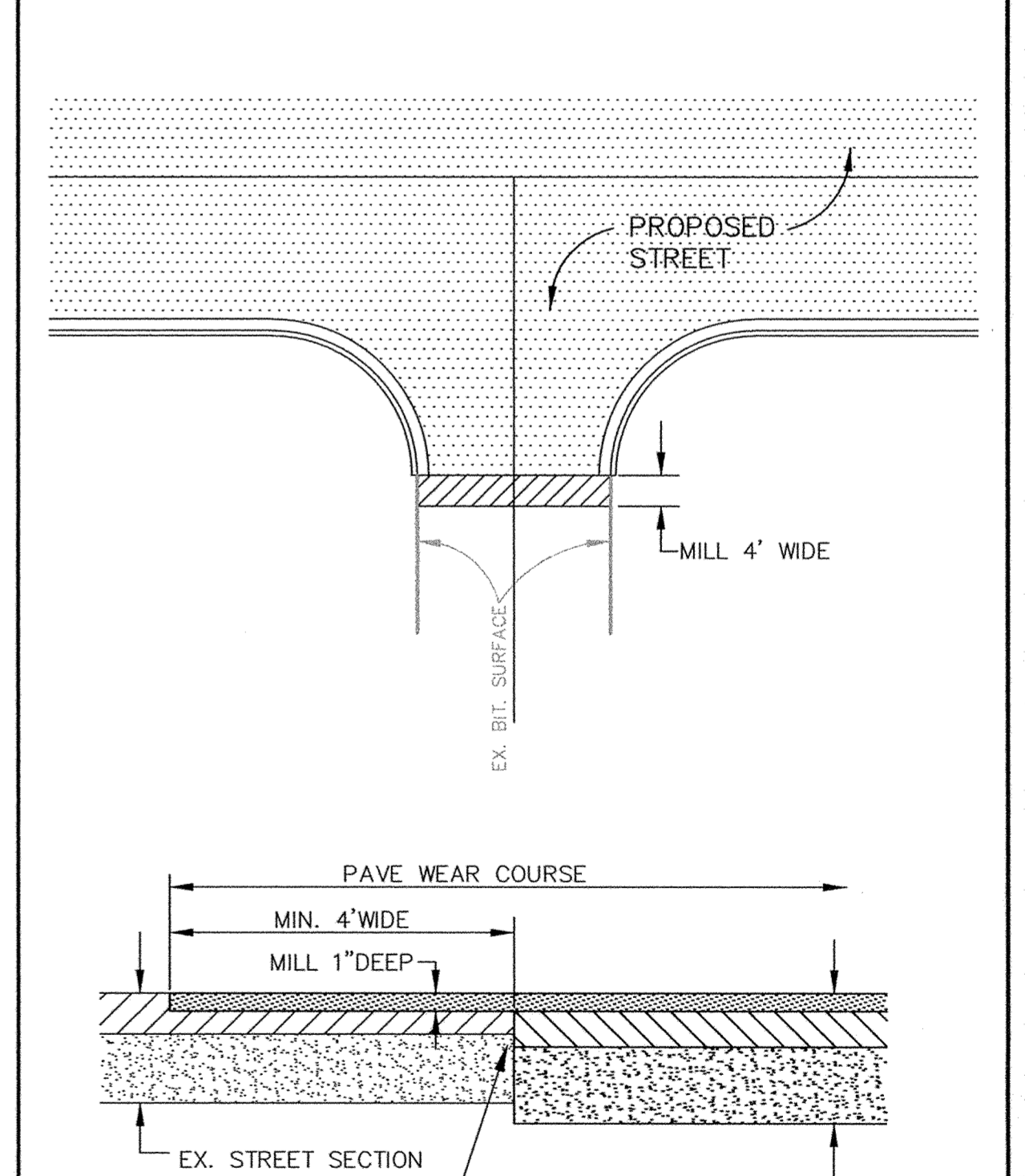


ELEVATION

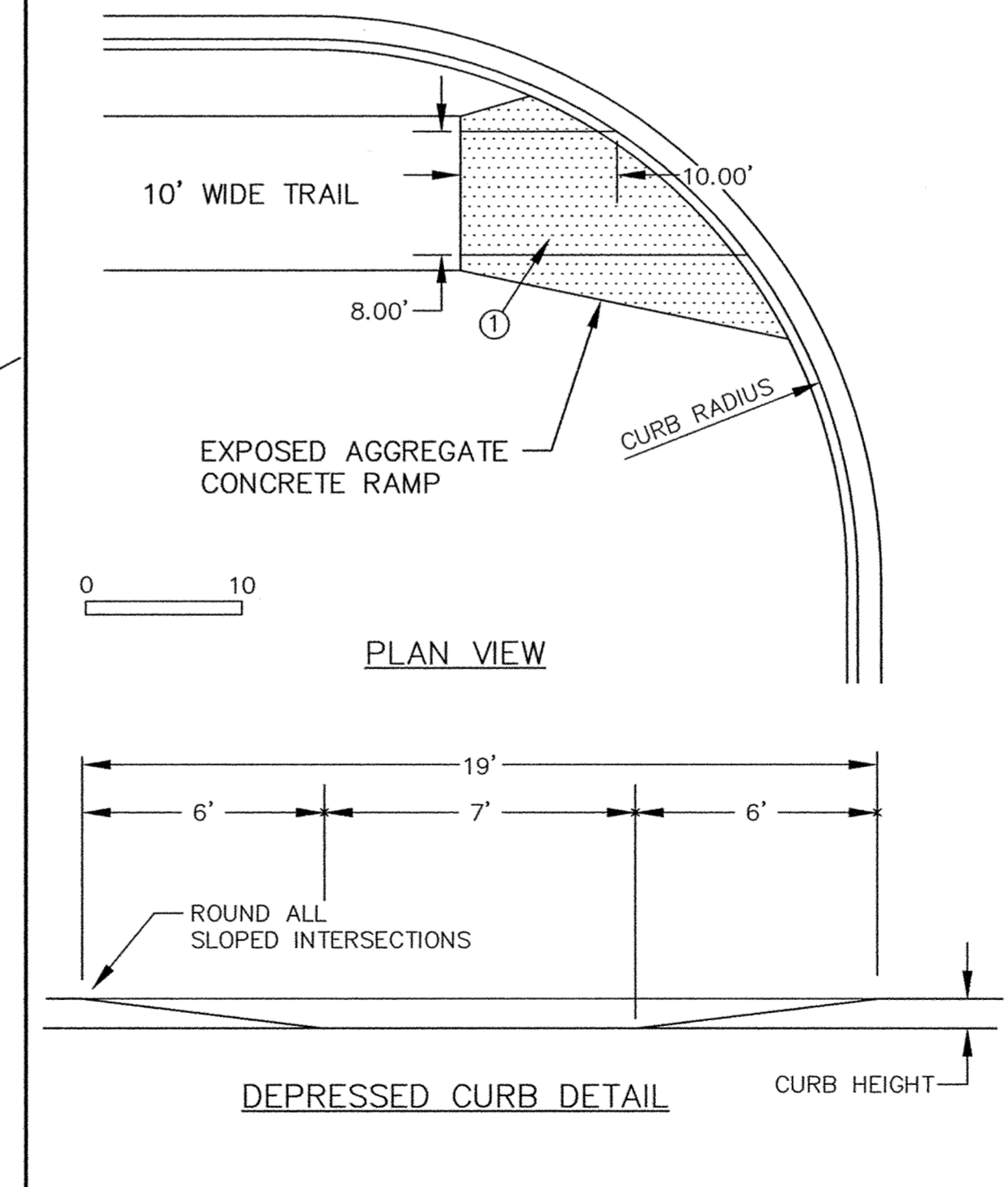


SECTION

DEPRESSED CURB WITH DRIVEWAY APRON



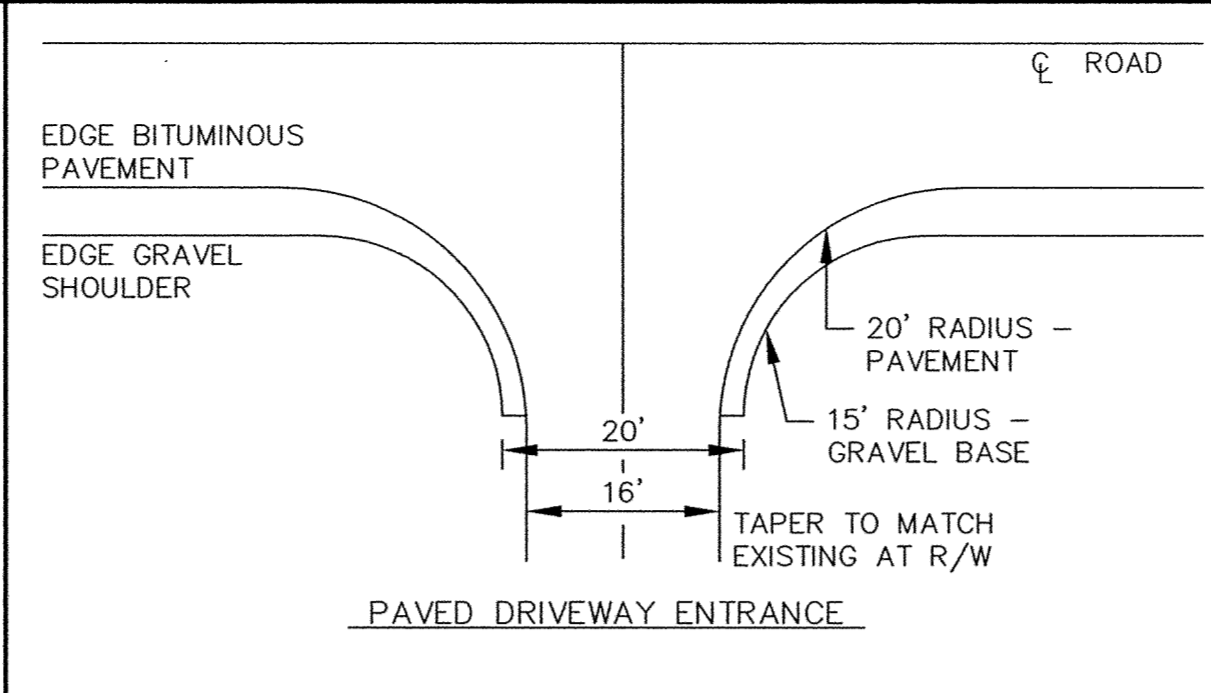
PLAN VIEW



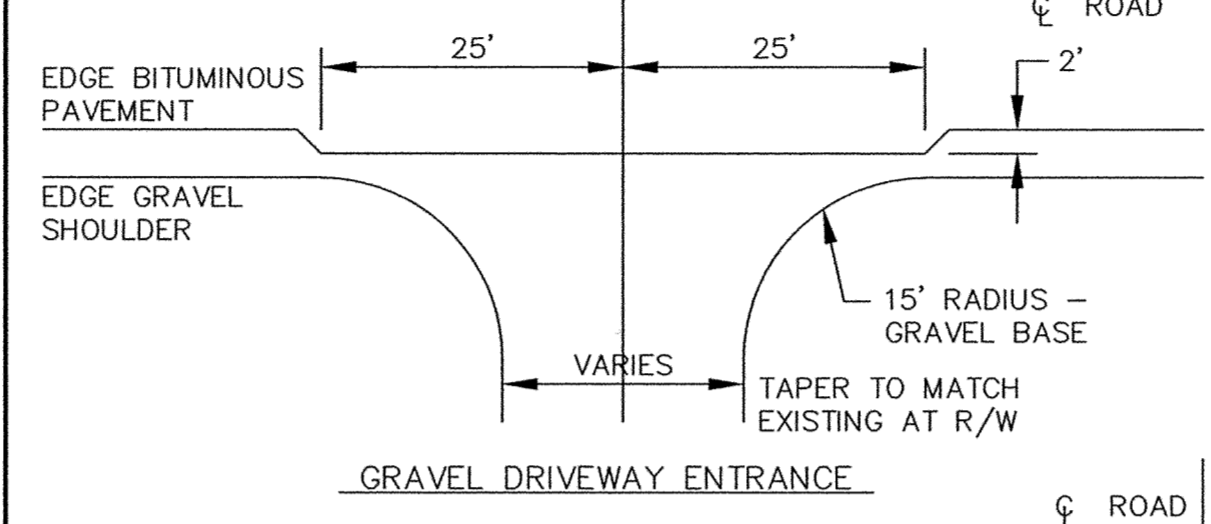
DEPRESSED CURB DETAIL

① SURFACE TREATMENT - AFTER NORMAL CONCRETE FINISHING, THE CONCRETE SHALL BE LIGHTLY RINSED TO EXPOSE AGGREGATE. THE EXPOSED AGGREGATE SHALL PROTRUDE AT LEAST 3/16" ABOVE THE CONCRETE SURFACE.

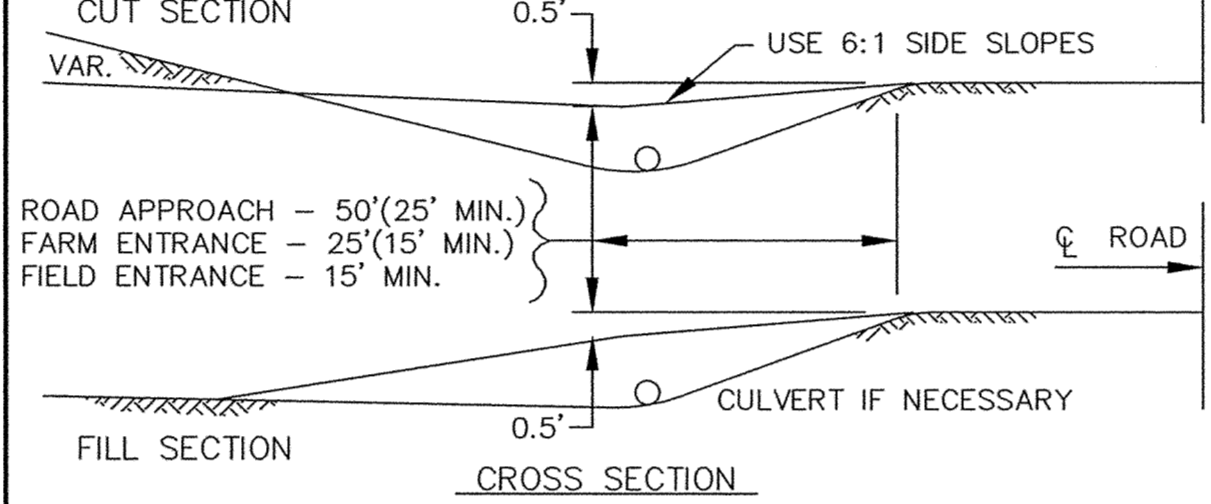
PEDESTRIAN CURB RAMPS FOR TRAILS



PAVED DRIVEWAY ENTRANCE

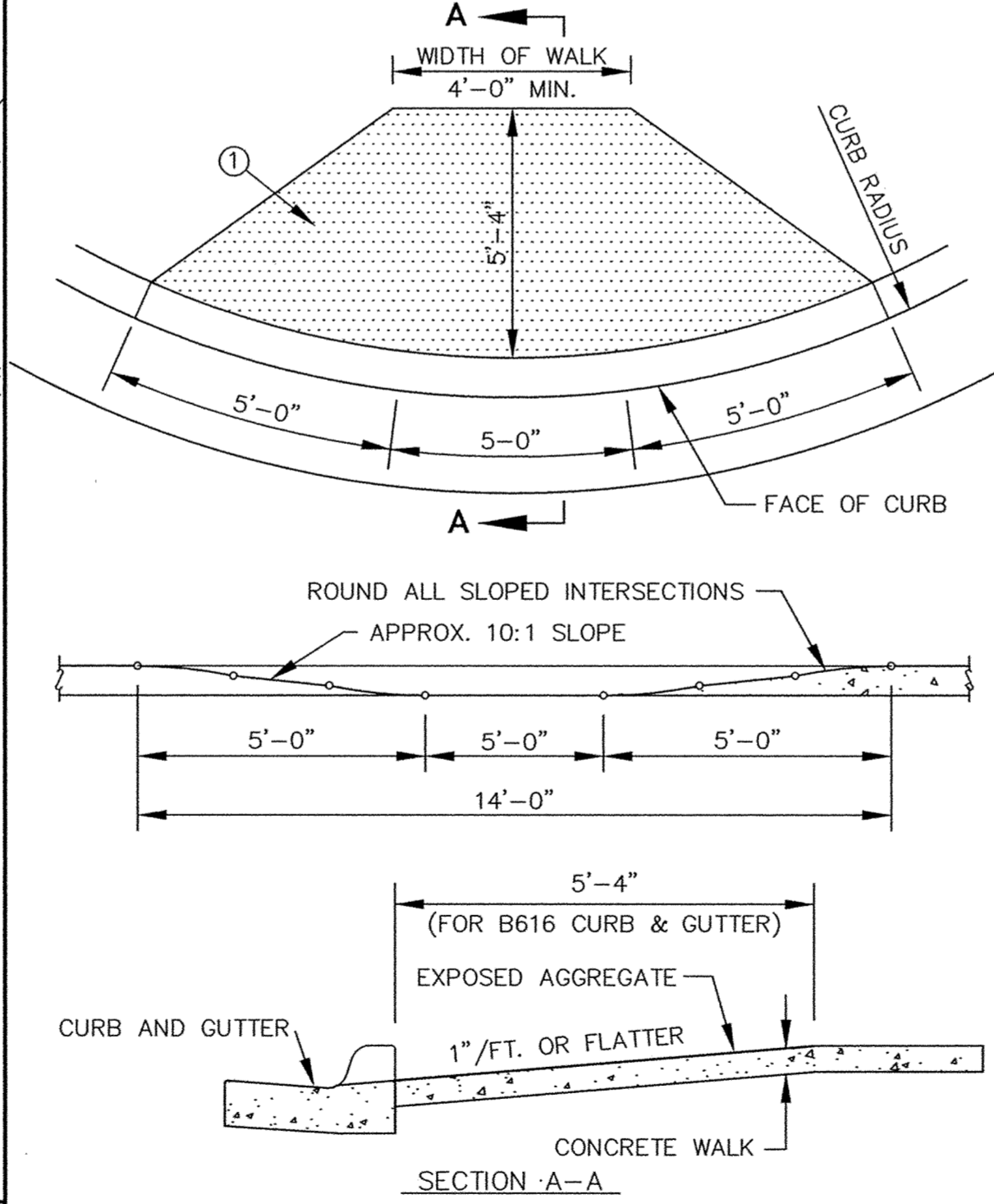


GRAVEL DRIVEWAY ENTRANCE

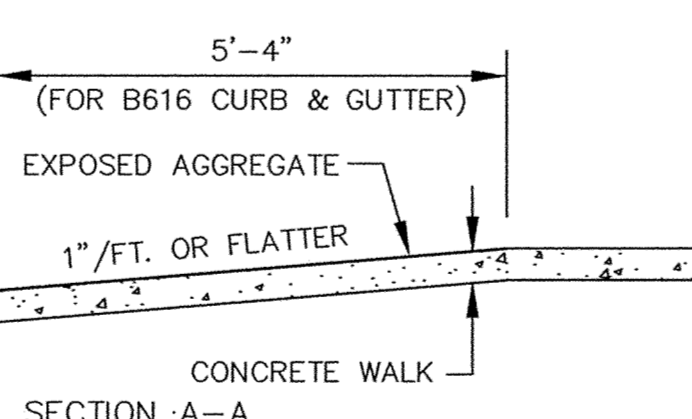


CROSS SECTION

RURAL DRIVEWAY ENTRANCE



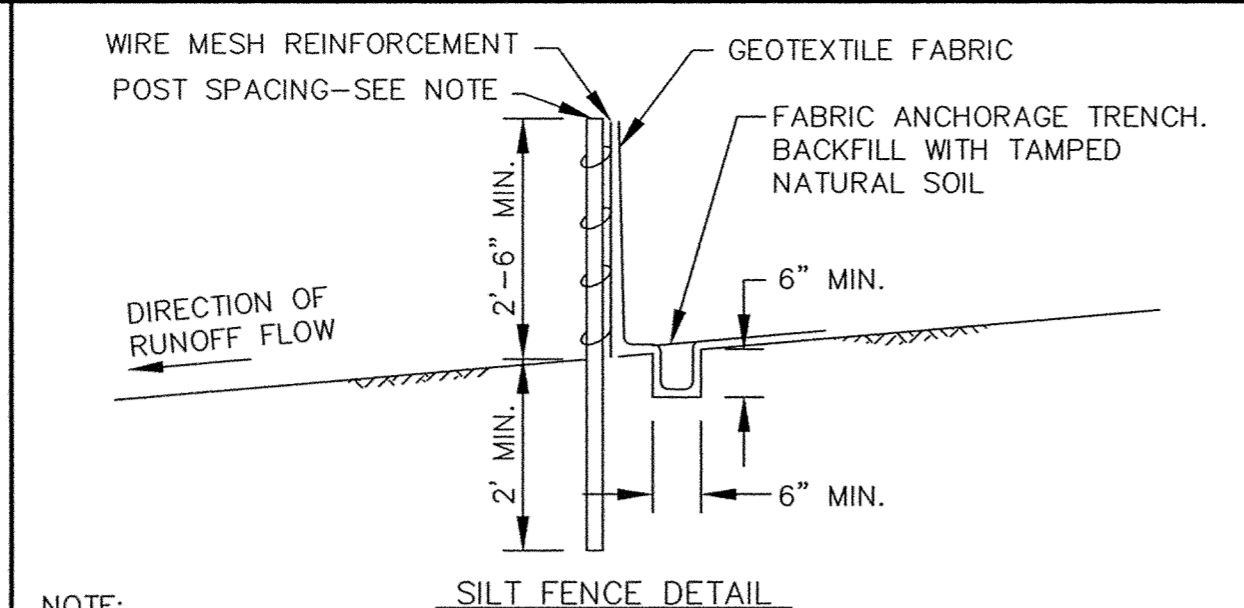
ROUND ALL SLOPED INTERSECTIONS APPROX. 10:1 SLOPE



SECTION A-A

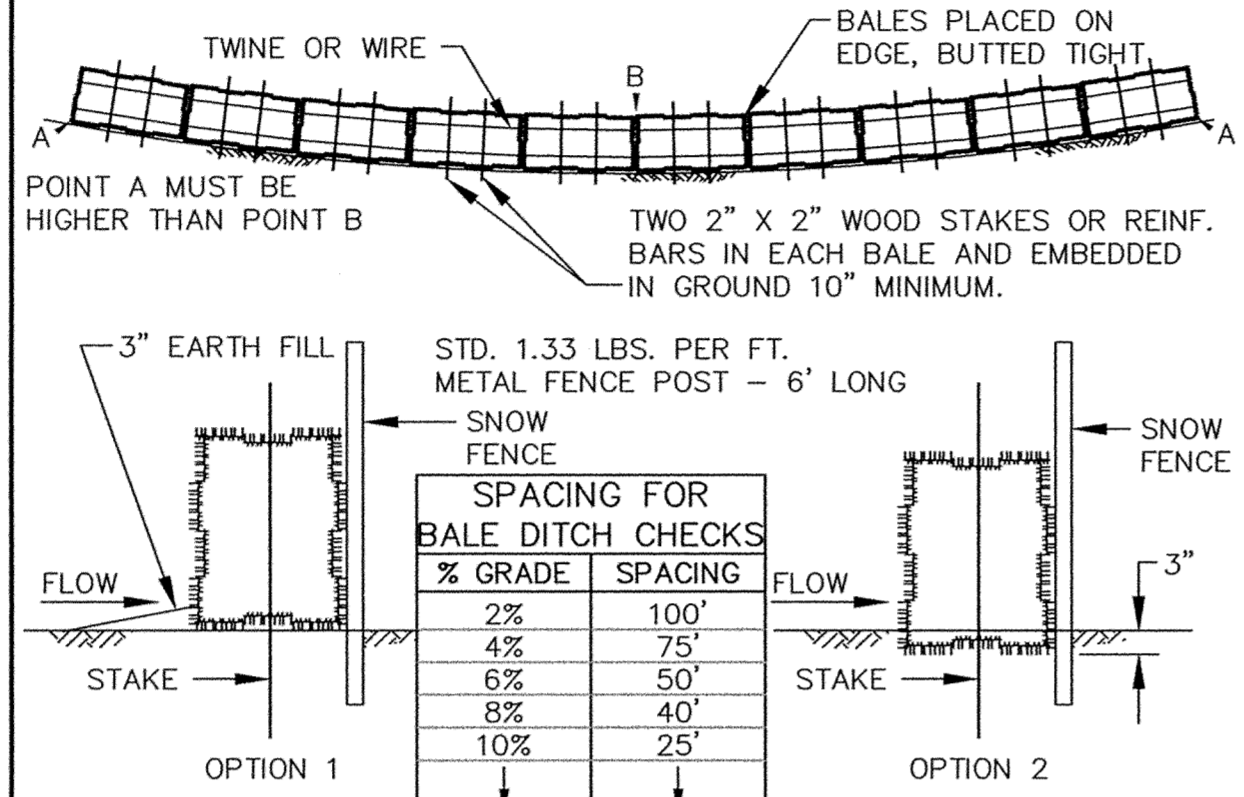
① SURFACE TREATMENT - AFTER NORMAL CONCRETE FINISHING, THE CONCRETE SHALL BE LIGHTLY RINSED TO EXPOSE AGGREGATE. THE EXPOSED AGGREGATE SHALL PROTRUDE AT LEAST 3/16" ABOVE THE CONCRETE SURFACE.

PEDESTRIAN CURB RAMPS FOR SIDEWALKS



SILT FENCE DETAIL

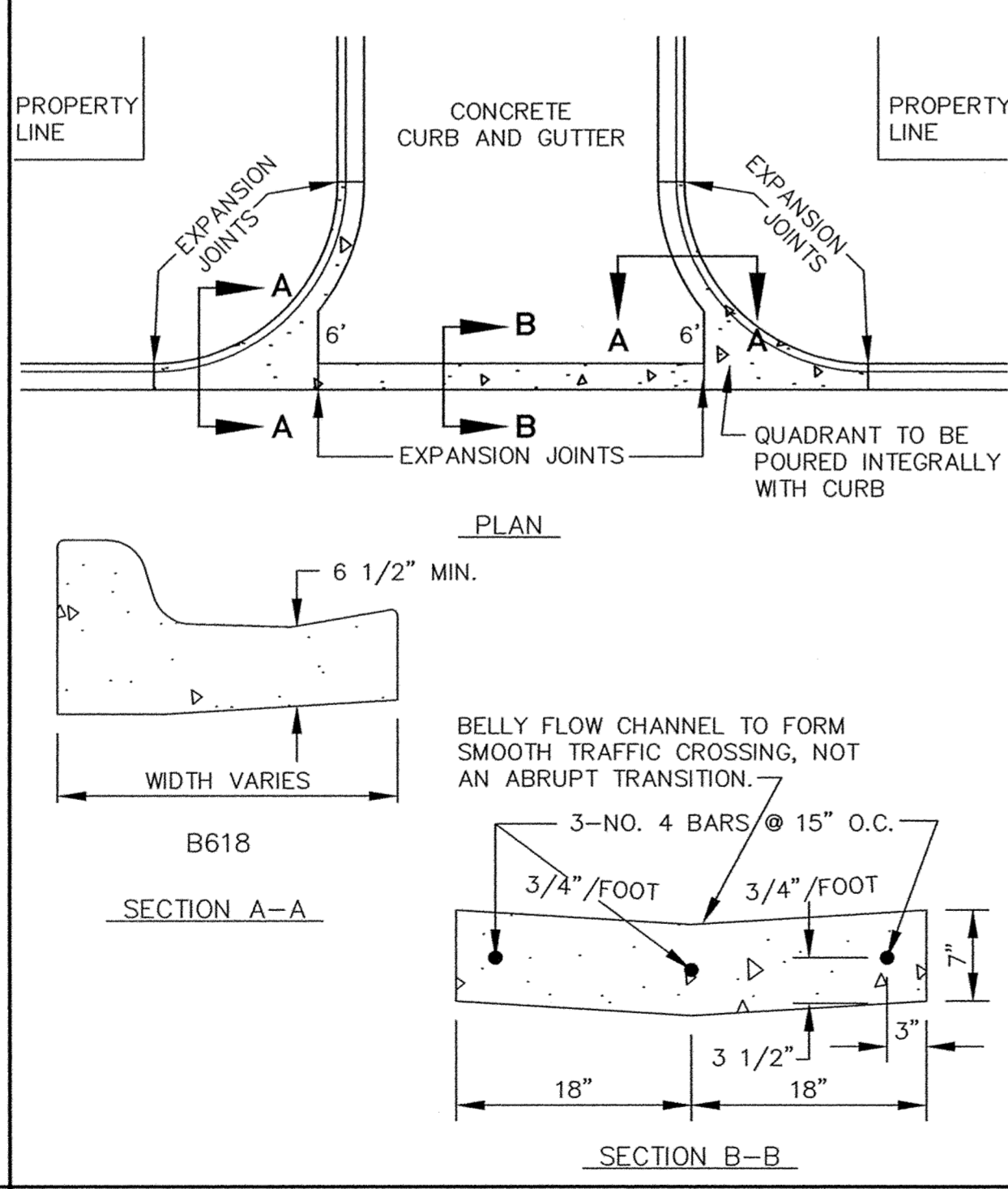
NOTE:
1. SILT FENCES CONSTRUCTED WITH SUPPORT FENCES, POSTS SHALL BE SPACED AT 10' OR LESS, AND DRIVEN AT LEAST 2' INTO THE GROUND.
2. SILT FENCES CONSTRUCTED WITHOUT SUPPORT FENCES, POSTS SHALL BE SPACED AT 4' OR LESS, AND DRIVEN AT LEAST 3' INTO THE GROUND.



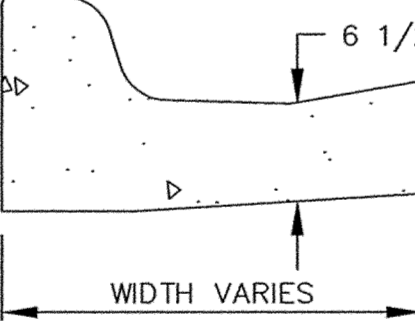
BALE HAY OR STRAW DITCH CHECK

TO BE USED WITH SNOW FENCE AT LOCATIONS AS SHOWN ON PLAN SHEETS. ALSO TO BE USED WITH OR WITHOUT SNOW FENCE AT OTHER LOCATIONS AS DIRECTED BY THE ENGINEER.

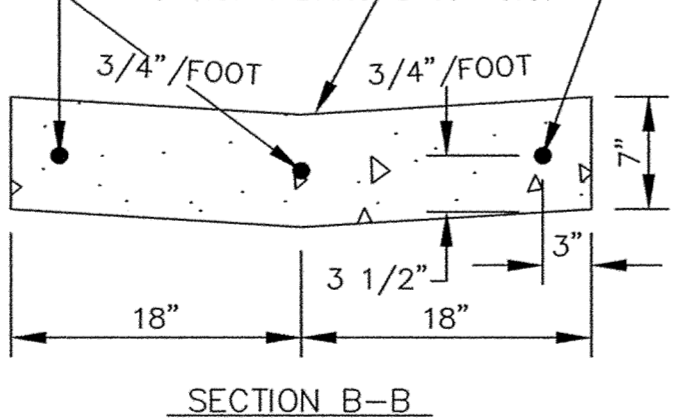
EROSION CONTROL DETAIL



PLAN

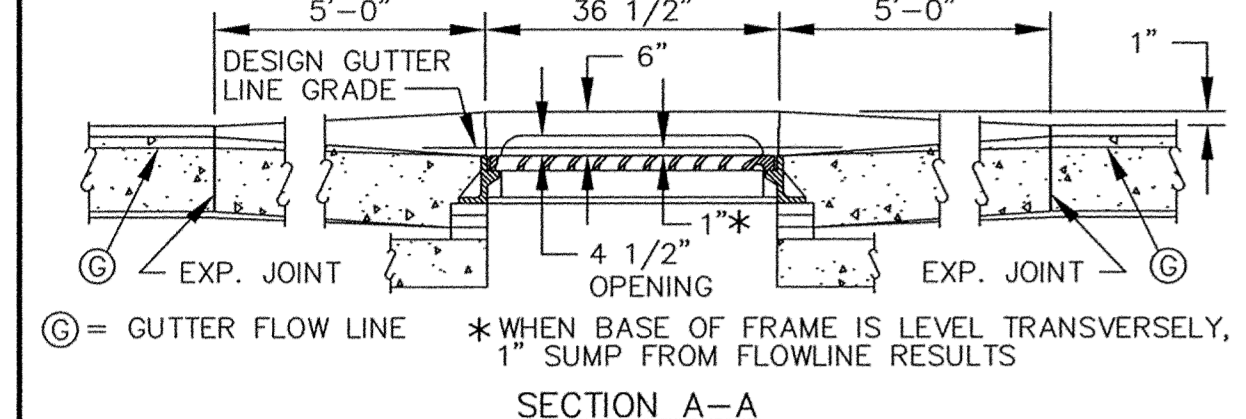
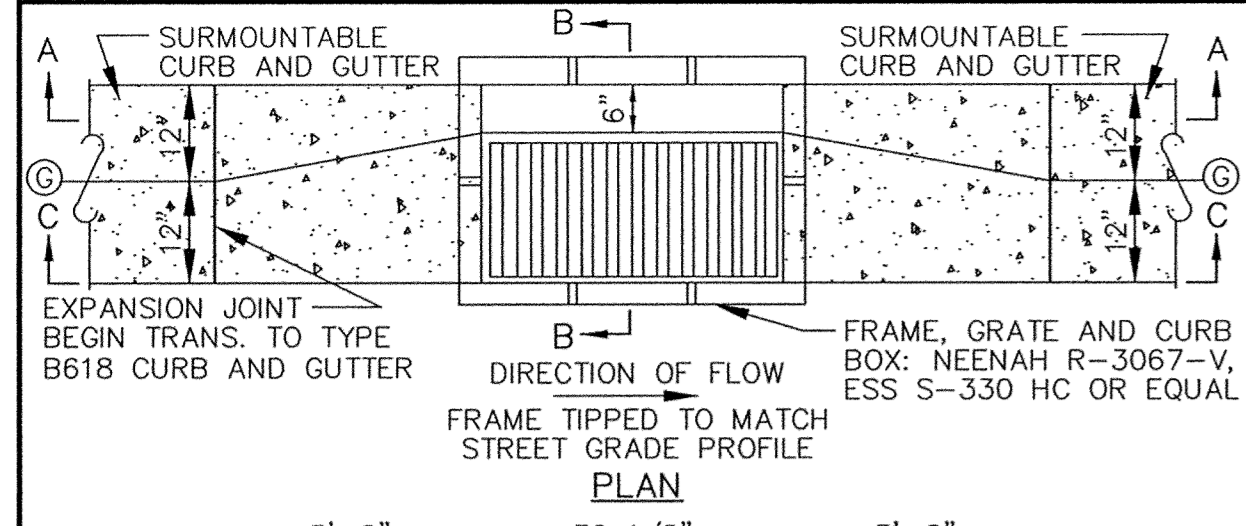


SECTION A-A

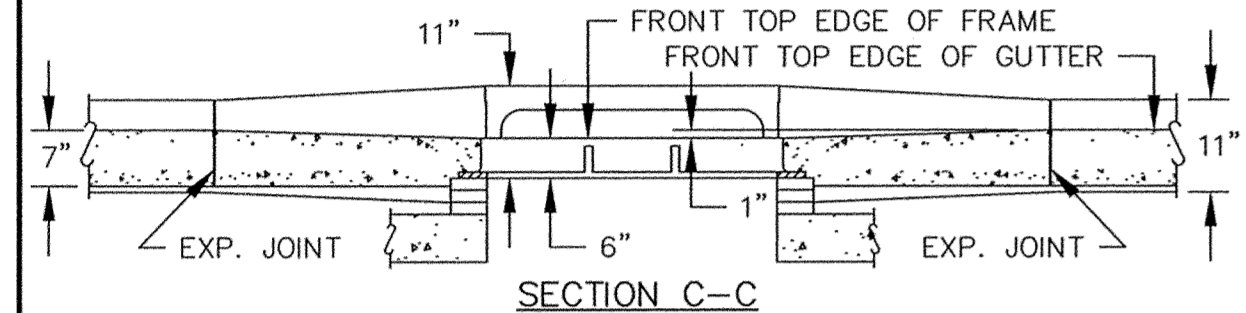


SECTION B-B

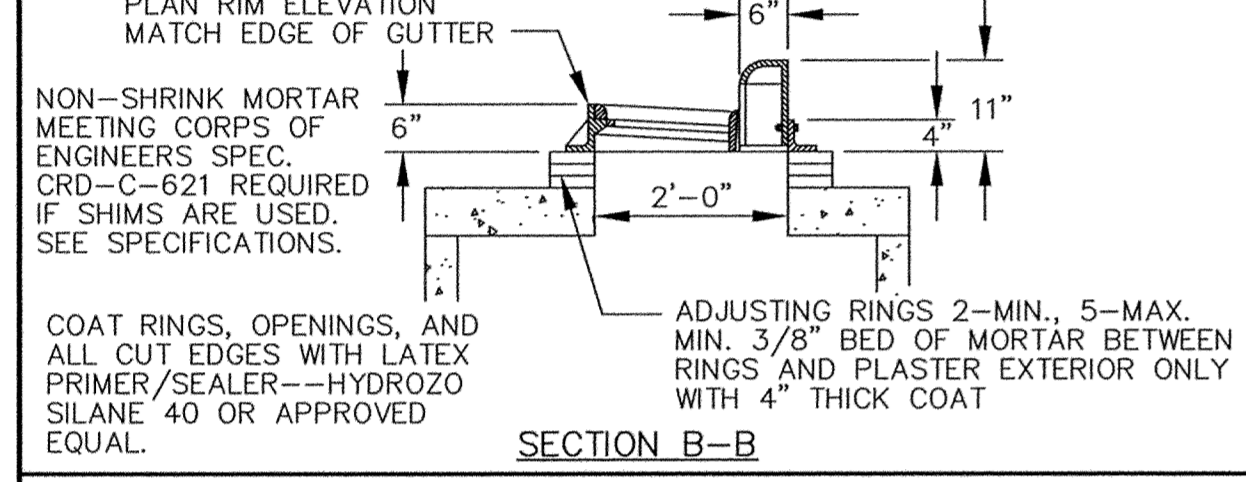
CONCRETE "V" GUTTER



SECTION A-A

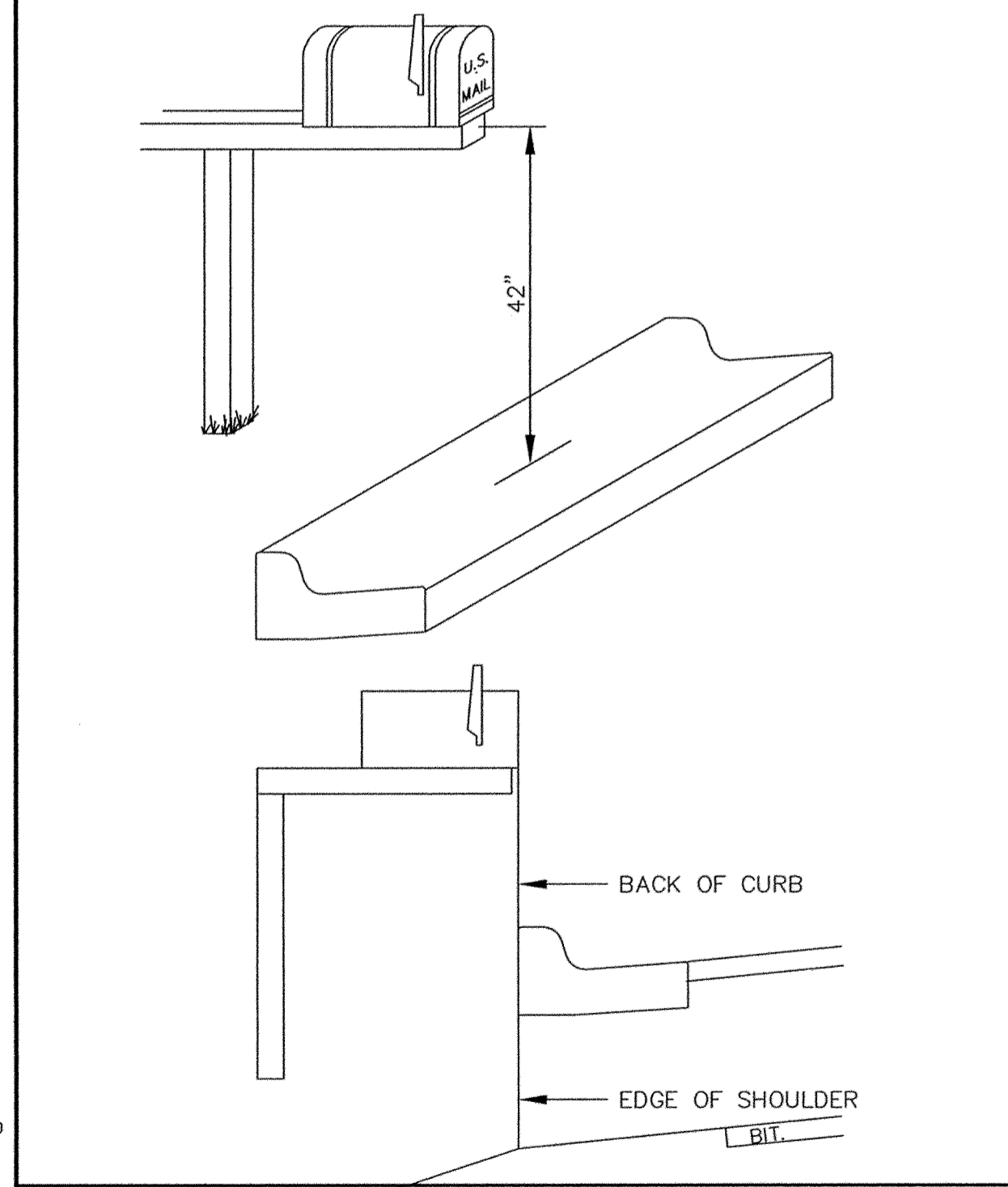


SECTION C-C



SECTION B-B

CATCH BASIN FRAME PLACEMENT SURMOUNTABLE CURB AND GUTTER



MAIL BOX

Westwood Professional Services, Inc.
7599 Anagram Drive
Eden Prairie, MN 55344
Phone: 612/937-5150 Fax: 612/937-5822

PREPARED FOR:
D.R. Horton, INC.
3459 Washington Drive
Suite 204
Eagan, Minnesota 55122

1326 ENERGY PARK DRIVE
ST. PAUL, MINNESOTA 55108
(612) 644-4389
Howard R. Green Company
CONSULTING ENGINEERS

CITY OF ELK RIVER
TROTT BROOK FARMS
STREET CONSTRUCTION DETAILS

CONTRACTOR: **RYAN CONTRACTING, INC.**
RECORD DRAWING
CONFORMING TO CONSTRUCTION RECORDS.
BY **K. WOOD** DATE **3/14/01**
WESTWOOD PROFESSIONAL SERVICES

SHEET NO.
11
OF
11

DESIGNED BY: --- DRAWN BY: ---
APPROVED: --- JOB NUMBER ---
CAD DATE: April 14, 1999 11:17:32 a.m.
CAD FILE: 230000m\ER-ST.DWG

I HEREBY CERTIFY THAT THIS PLAN, SPECIFICATION, OR REPORT WAS PREPARED BY ME OR UNDER MY DIRECT SUPERVISION AND THAT I AM A DULY REGISTERED PROFESSIONAL ENGINEER UNDER THE LAWS OF THE STATE OF MINNESOTA.
DATE _____ REG. NO. _____

NO.	DATE	BY	REVISION DESCRIPTION

P:\99605\dwg\As-Built\9605DT@4.dwg 03/16/01 08:25:22 AM CST

330 PRODUCTS • NEW HORIZONS, MINNESOTA
REORDER BY PART NUMBER 6592
330 PRODUCTS • NEW HORIZONS, MINNESOTA
REORDER BY PART NUMBER 6592
330 PRODUCTS • NEW HORIZONS, MINNESOTA
REORDER BY PART NUMBER 6592
330 PRODUCTS • NEW HORIZONS, MINNESOTA
REORDER BY PART NUMBER 6592