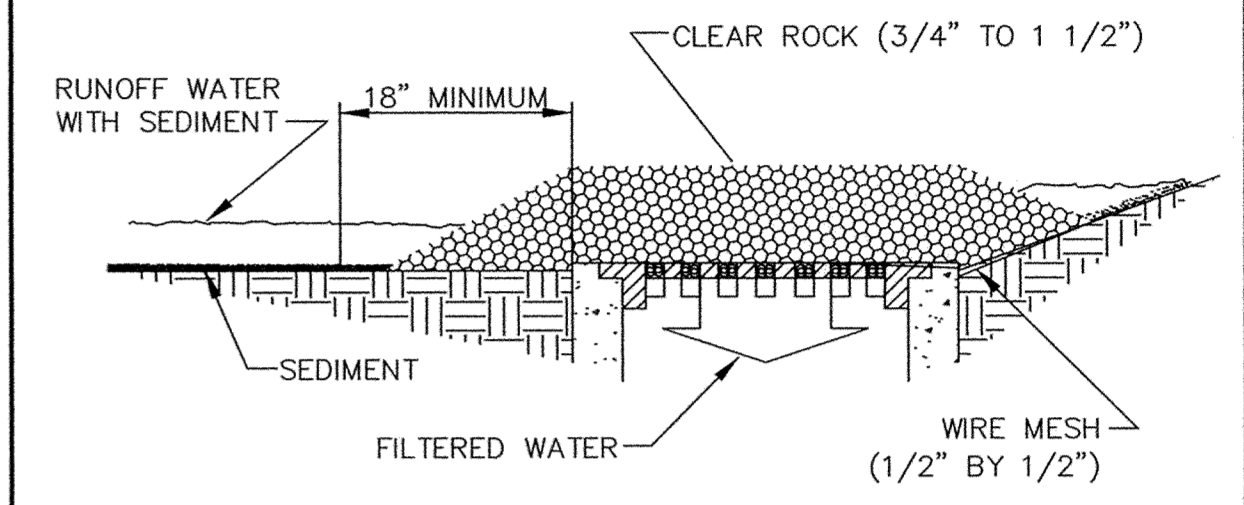


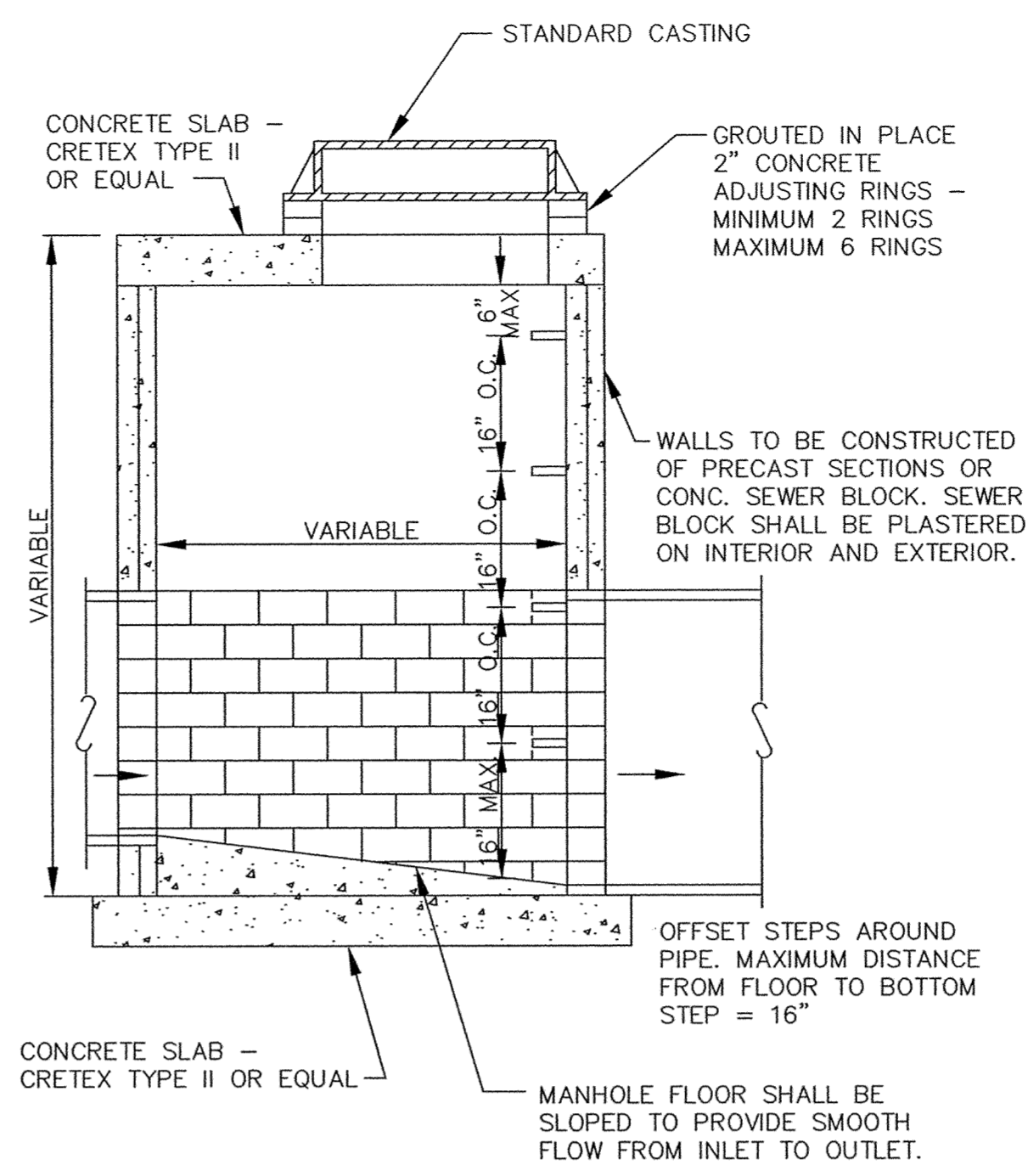
Westwood Professional Services, Inc.
 7599 Anagram Drive
 Eden Prairie, MN 55344
 Phone: 612/937-5150 Fax: 612/937-5822

PREPARED FOR:
D.R. Horton, Inc.
 3459 Washington Drive
 Suite 204
 Eagan, Minnesota 55122



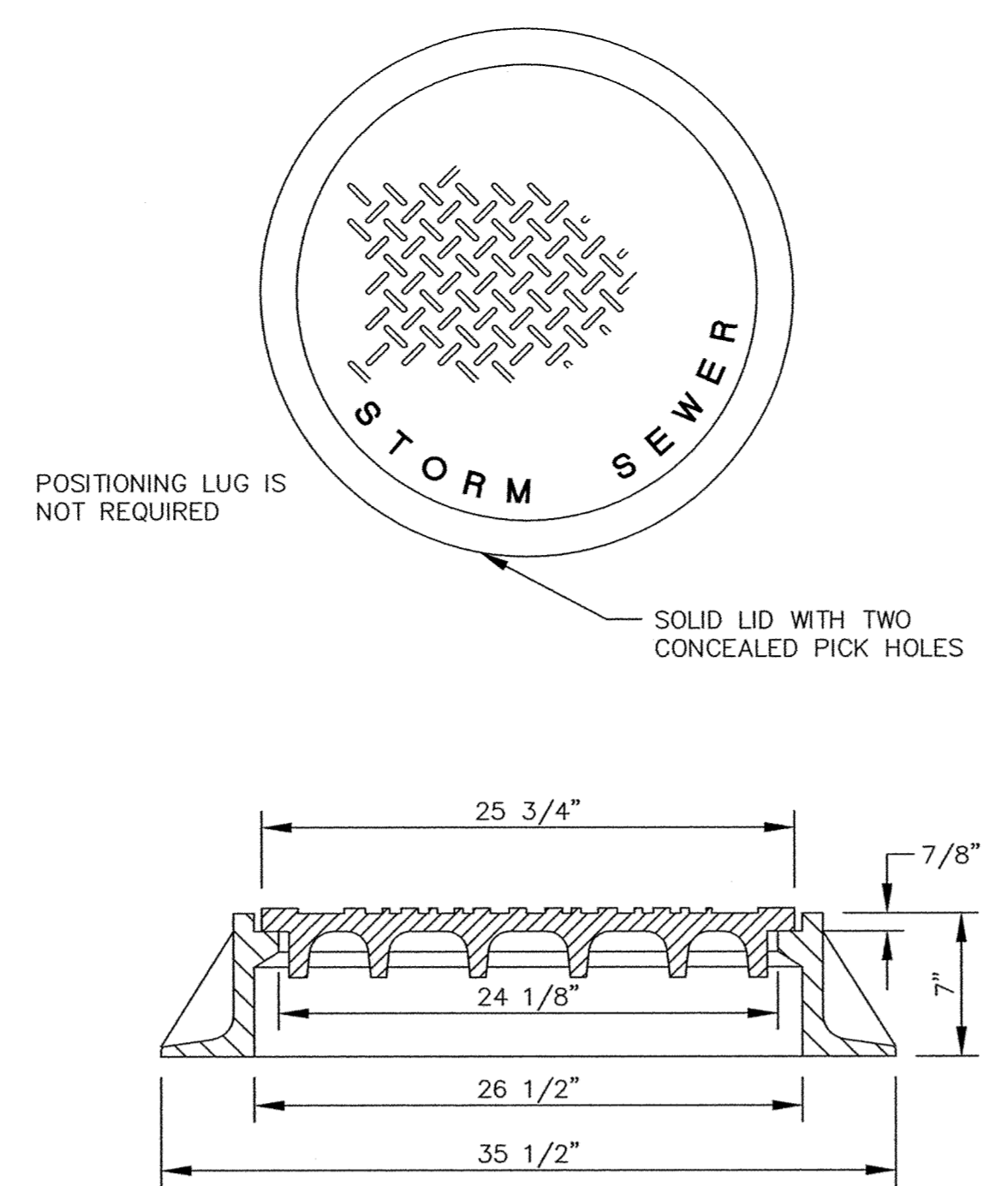
CONTRACTOR: **RYAN CONTRACTING, INC.**
RECORD DRAWING
 CONFORMING TO CONSTRUCTION RECORDS.
 BY **K. WOOD** DATE **3/14/01**
 WESTWOOD PROFESSIONAL SERVICES

CATCH BASIN SEDIMENTATION BARRIER



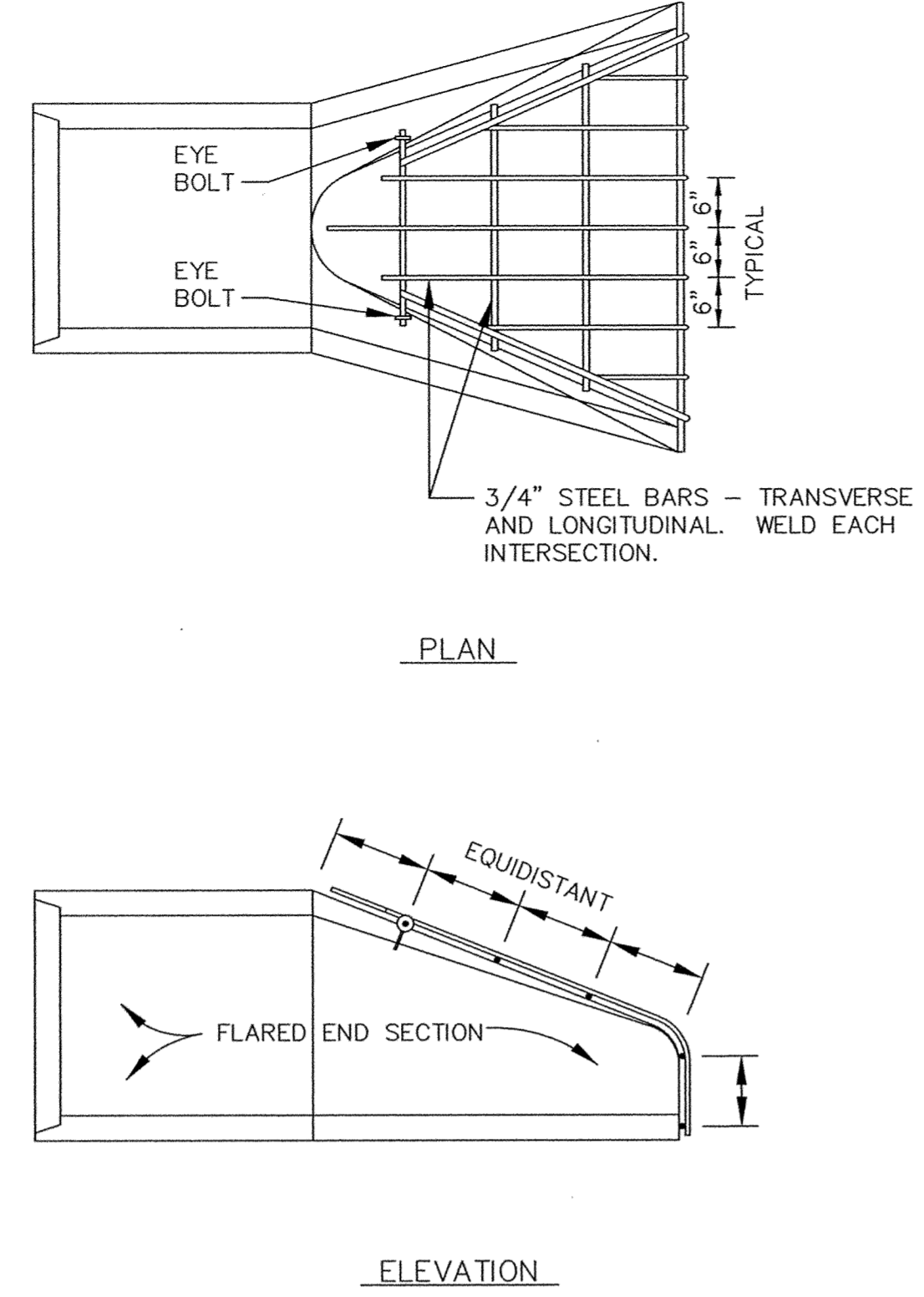
NOTE:
 THIS TYPE MANHOLE SHALL BE USED
 WHEN SPECIFIED OR WHEN THE MANHOLE
 DEPTH IS LESS THAN EIGHT FEET.

SLAB TOP MANHOLE

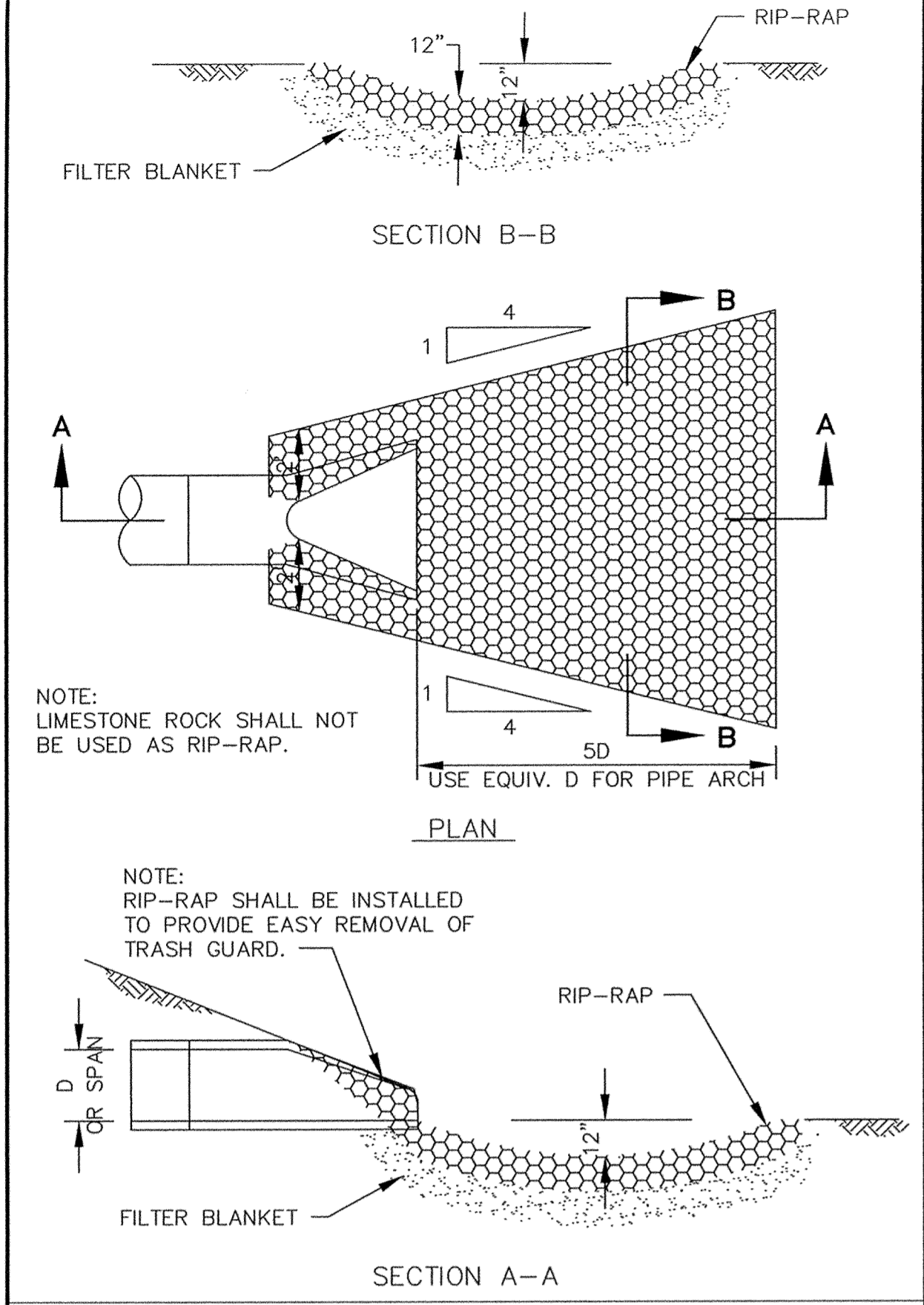


CASTING SHALL BE NEENAH R-1733 OR EQUAL

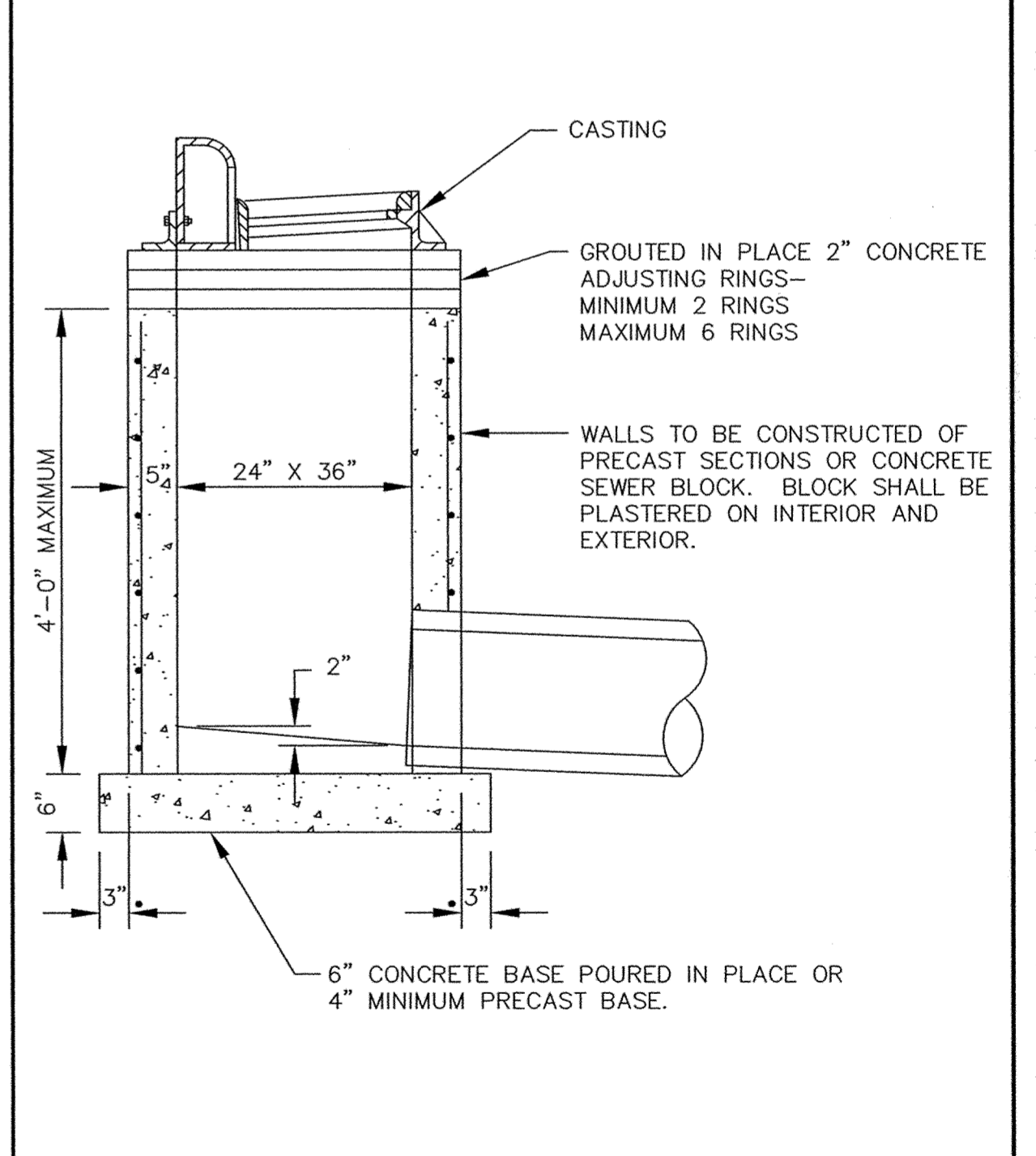
STANDARD MANHOLE CASTING



TRASH GUARD

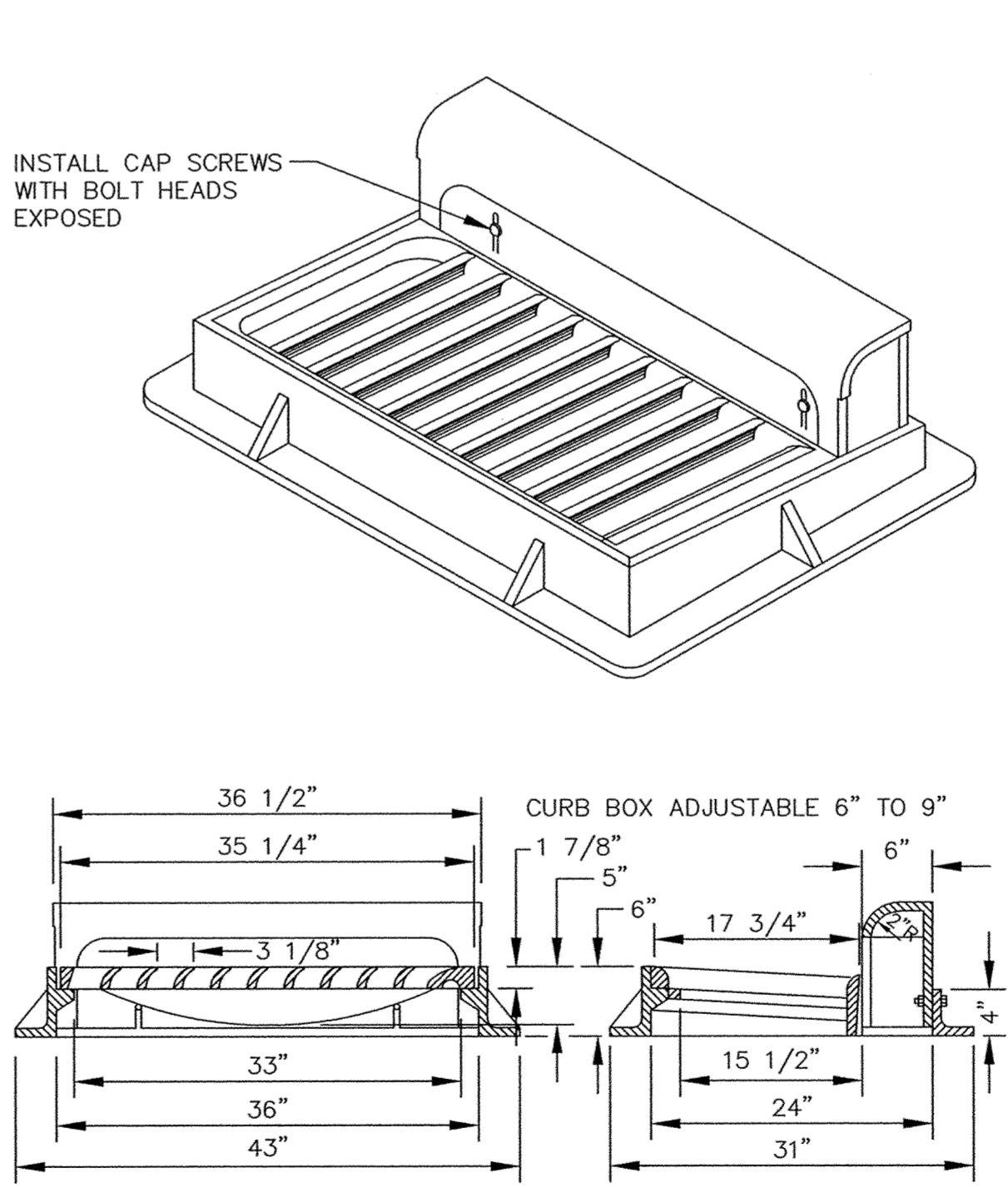


RIP-RAP INSTALLATION



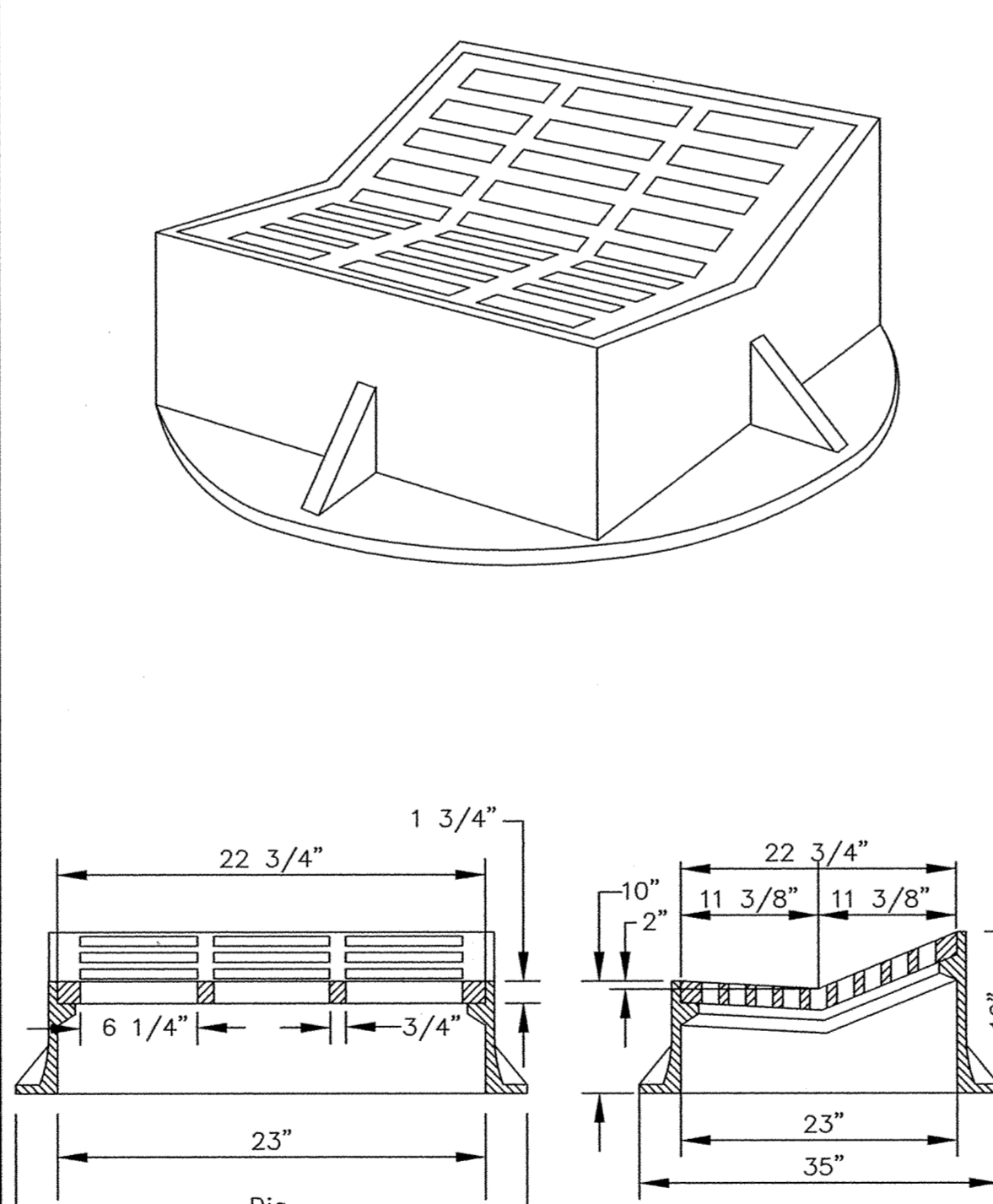
NOTE:
 REINFORCING SHALL CONSIST OF A SINGLE LINE
 OF STEEL WIRE FABRIC HAVING AN AREA OF
 NOT LESS THAN 0.17 SQ. IN. PER FOOT OF HEIGHT.

SHALLOW CATCH BASIN



CASTINGS SHALL BE NEENAH R-3067-V OR EQUAL

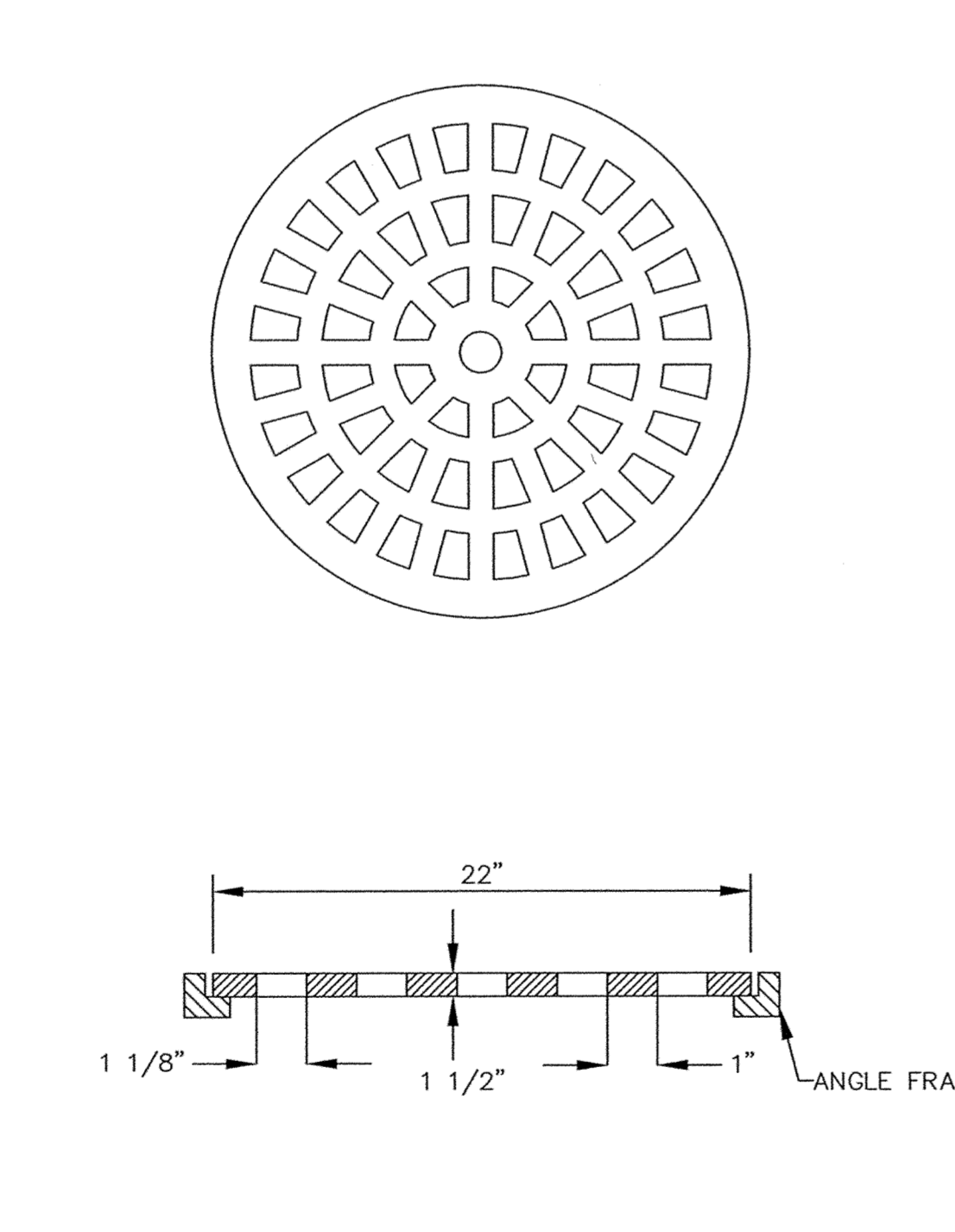
STANDARD INLET CASTING



CASTINGS SHALL BE NEENAH R-3508-A2 OR EQUAL

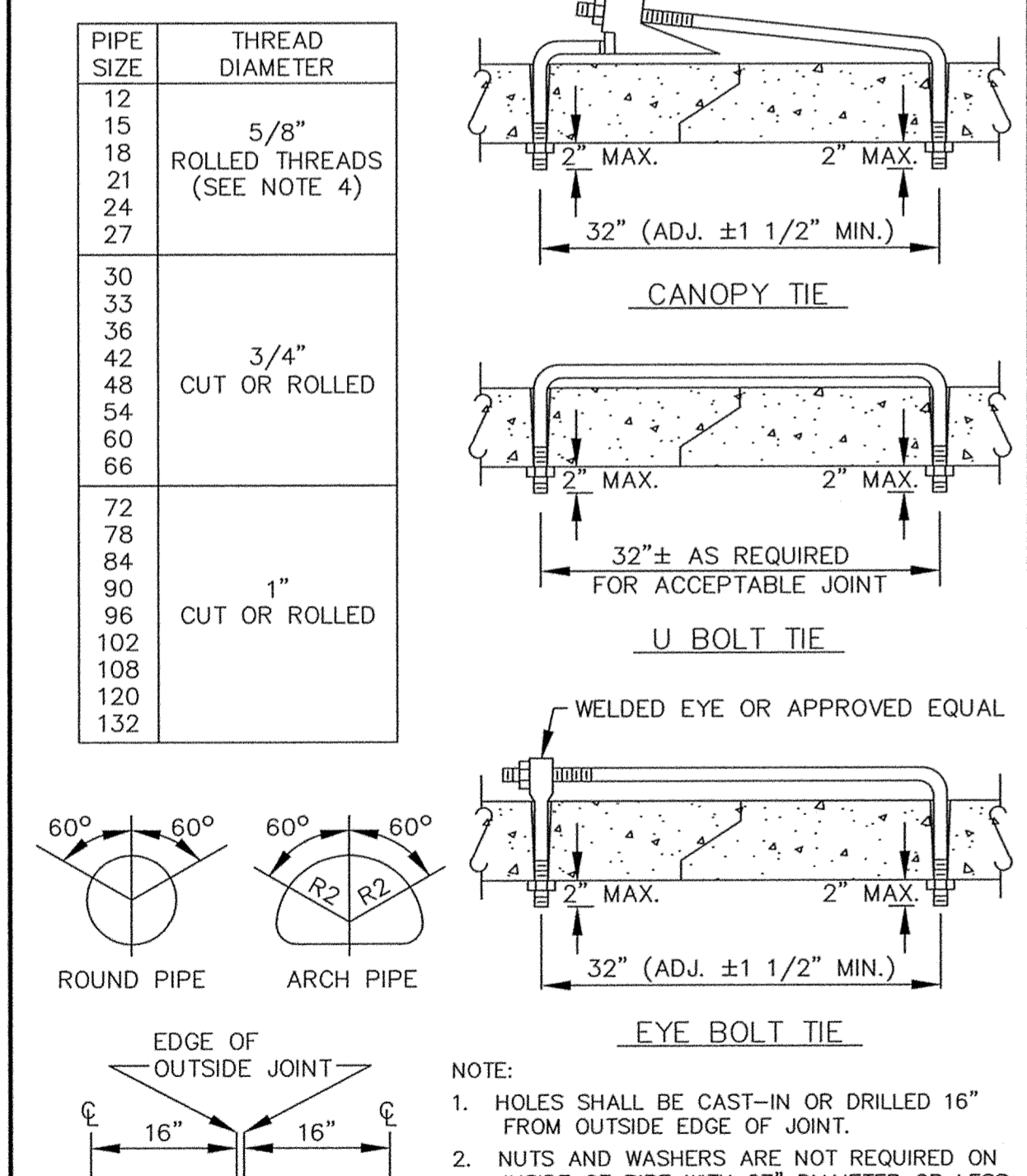
NOTE:
 THIS TYPE INLET CASTING SHALL BE USED WHEN SPECIFIED.

STANDARD INLET CASTING



CASTING SHALL BE NEENAH R-4370 TYPE C OR EQUAL

GRATE CASTING



CONCRETE PIPE JOINT TIES

NO.	DATE	BY	REVISION DESCRIPTION

1326 ENERGY PARK DRIVE
 ST. PAUL, MINNESOTA 55108
 (612) 644-4389
Howard R. Green Company
 CONSULTING ENGINEERS

CITY OF ELK RIVER
TROTT BROOK FARMS
STORM SEWER DETAILS

SHEET NO.
10
 OF
11

DESIGNED BY: --- DRAWN BY: ---
 APPROVED: --- JOB NUMBER ---
 CAD DATE: April 14, 1999 11:14:59 a.m.
 CAD FILE: 23000m\ER-SM.DWG

I HEREBY CERTIFY THAT THIS PLAN, SPECIFICATION,
 OR REPORT WAS PREPARED BY ME OR UNDER MY DIRECT
 SUPERVISION AND THAT I AM A DULY REGISTERED
 PROFESSIONAL ENGINEER UNDER THE LAWS OF THE
 STATE OF MINNESOTA.
 DATE _____ REG. NO. _____

P:\9605\dwg\As-Built\9605DLT3.dwg 03/16/01 08:24:18 AM CST