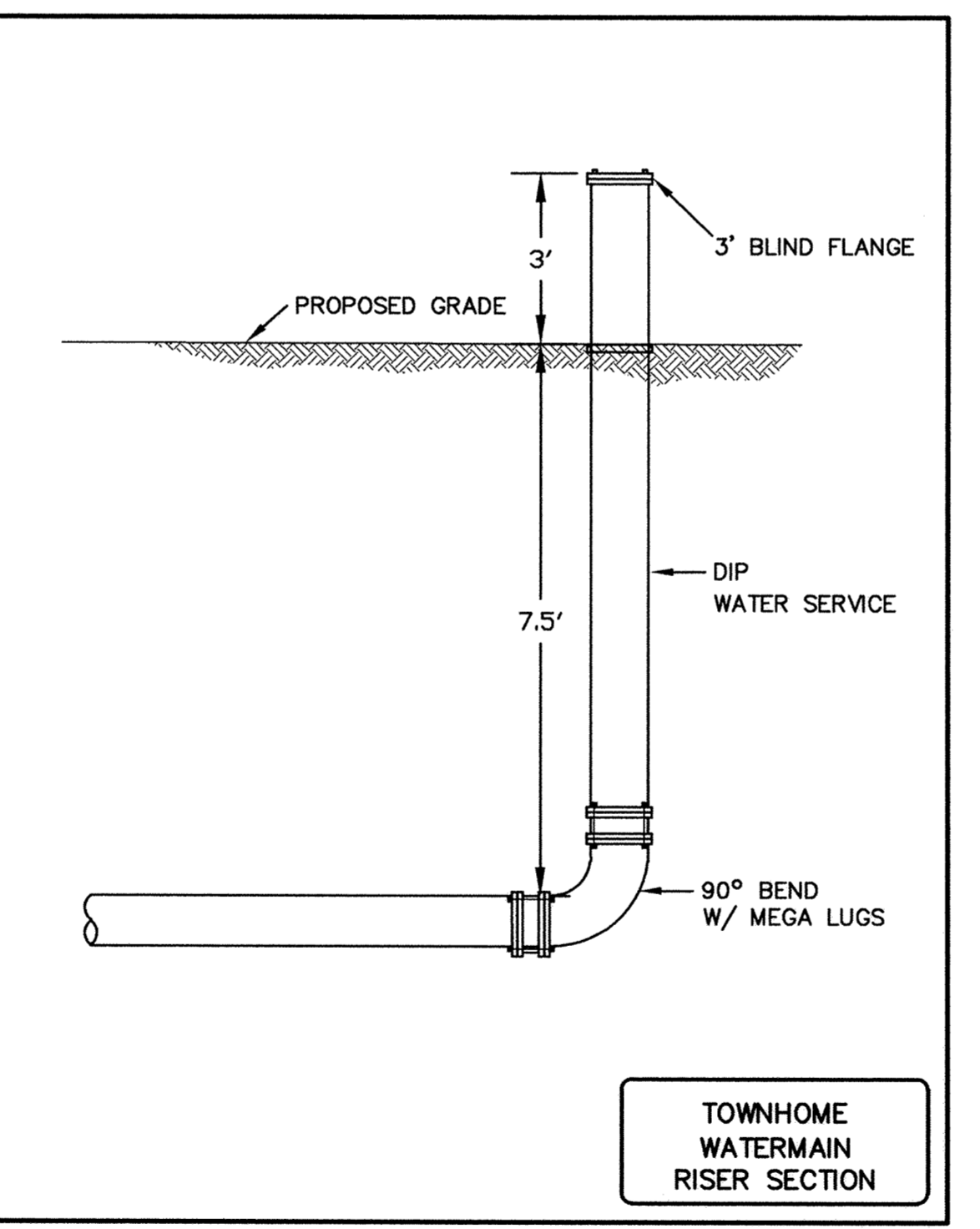
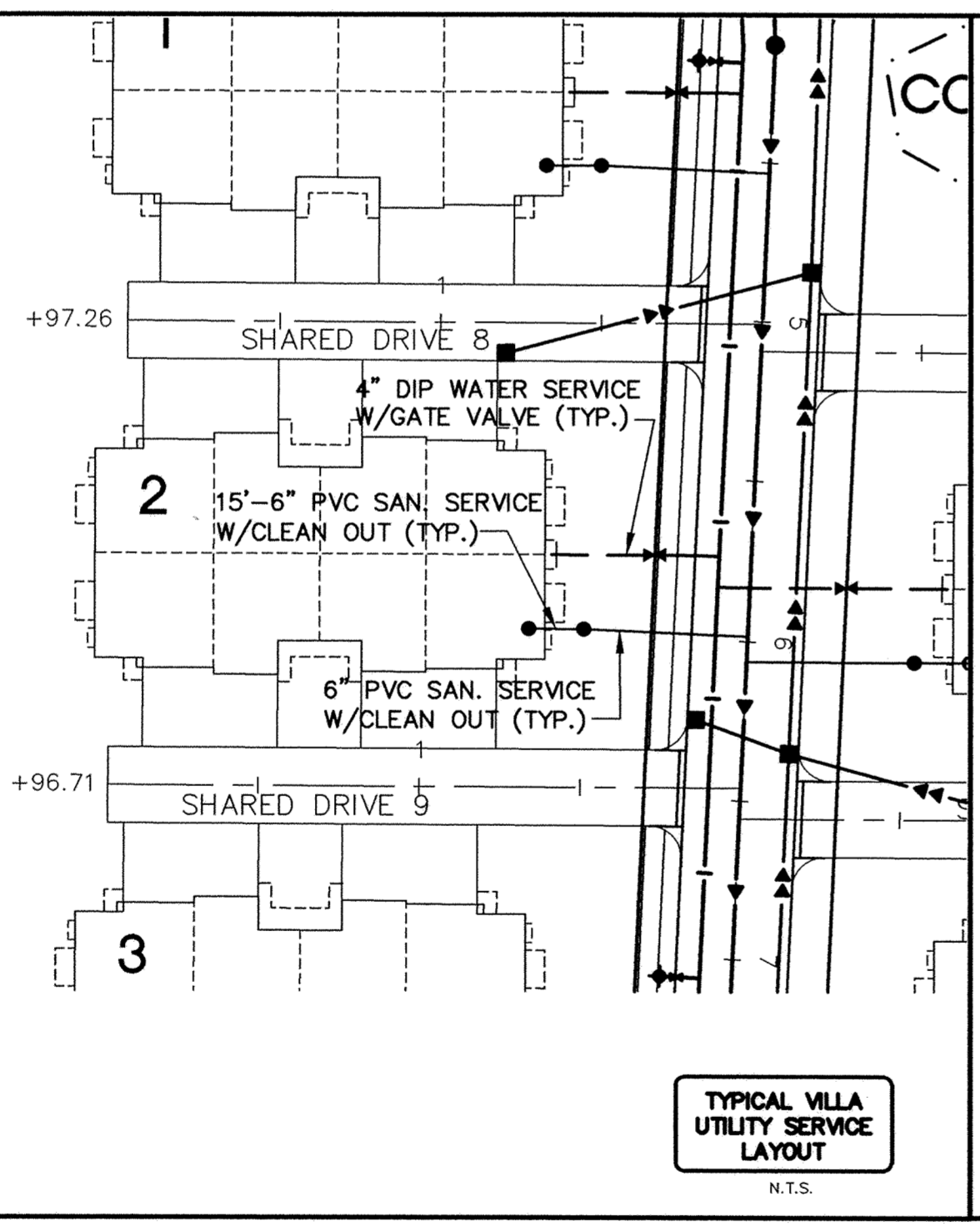
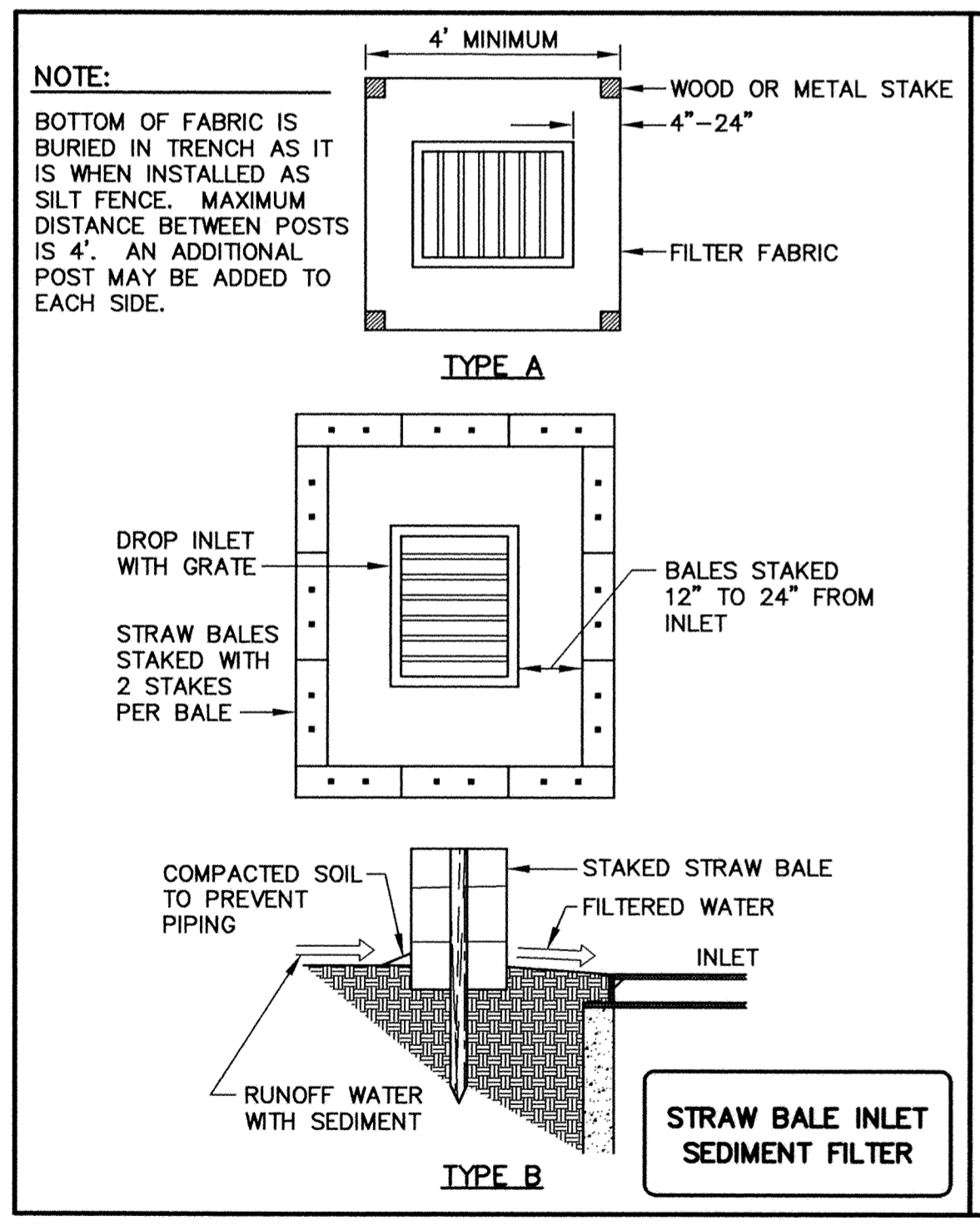


CONTRACTOR: RYAN CONTRACTING CO.
 RECORD DRAWING CONFORMING TO CONSTRUCTION RECORDS.
 BY AL SPILLES DATE 02/15/05
 WESTWOOD PROFESSIONAL SERVICES



LATEST REVISION DATE: 02/15/05
 E-3 20011034 20011034DE@S.DWG
 Date: 05/28/02 Sheet: 21 OF 21

P:\20011034\dwg\RECORDED\20011034de@S.dwg 2/14/2005 12:36:11 PM CST