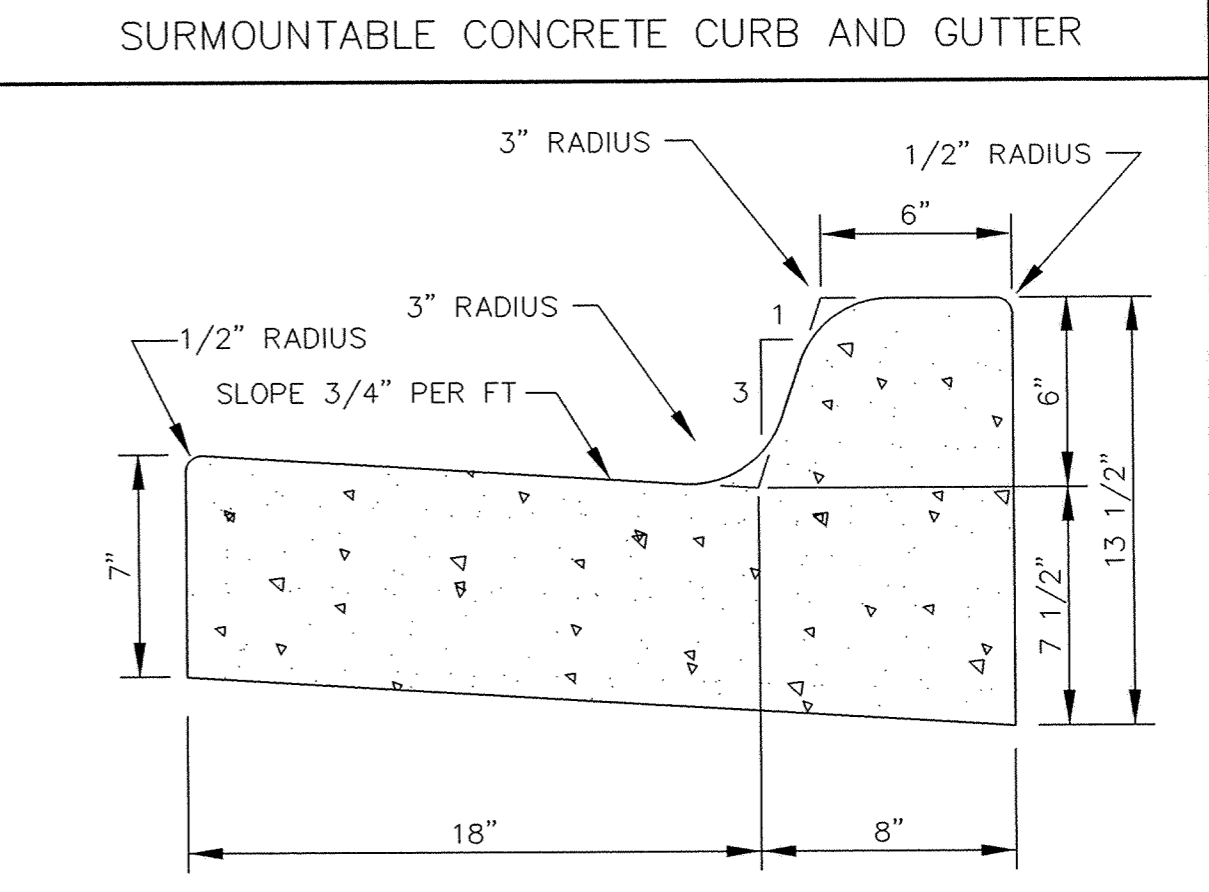
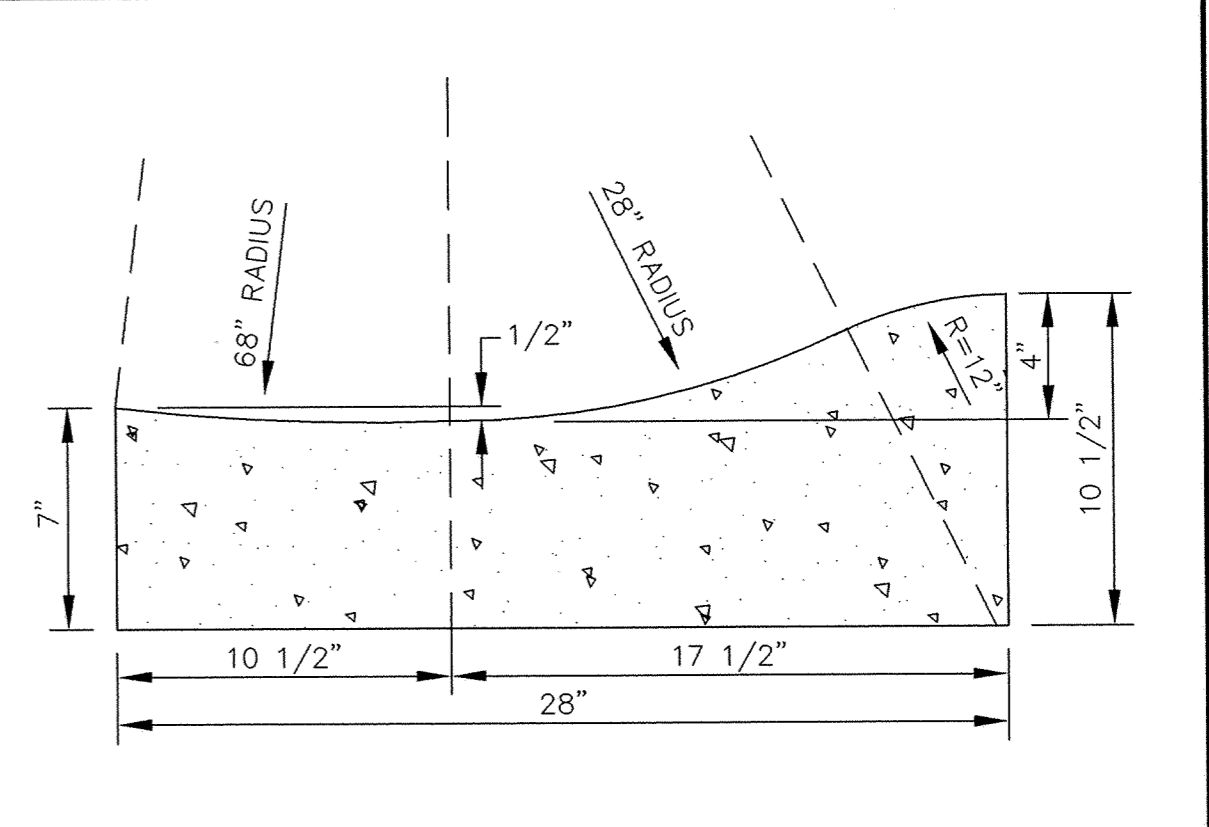
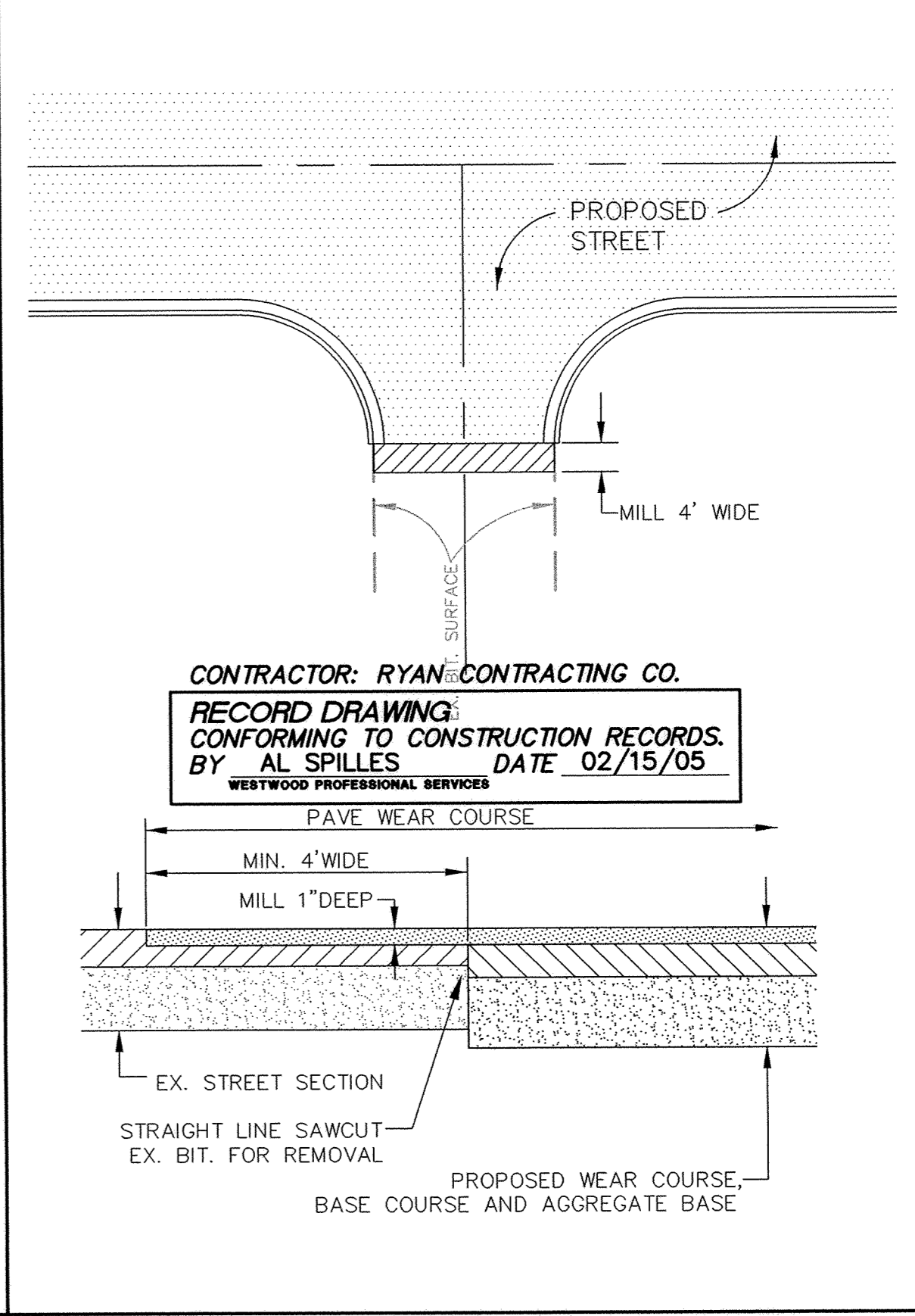


PROJECT: CITY OF ELK RIVER, MINNESOTA
DRAWING NUMBER: 20 OF 21
SHEET NO. 20 OF 21
E-3 20011034DE@4.DWG



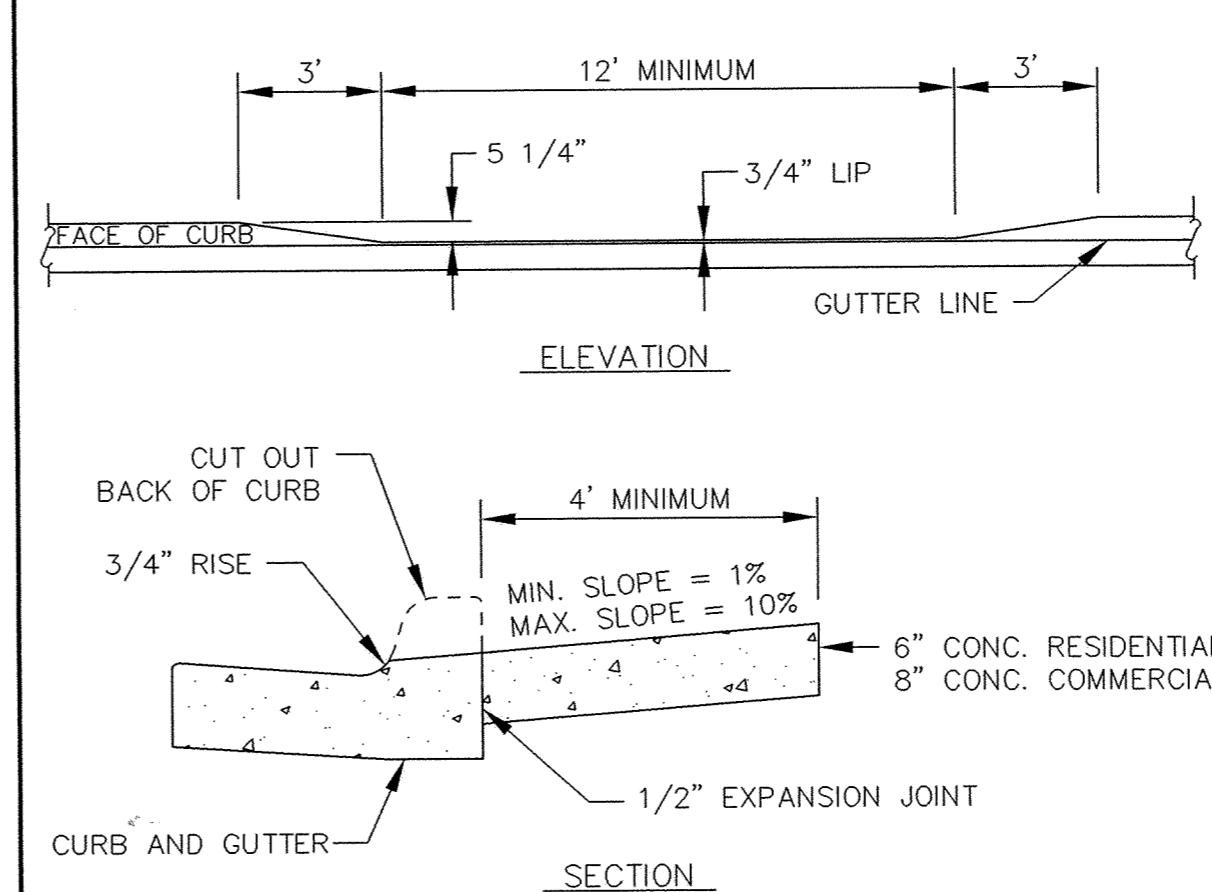
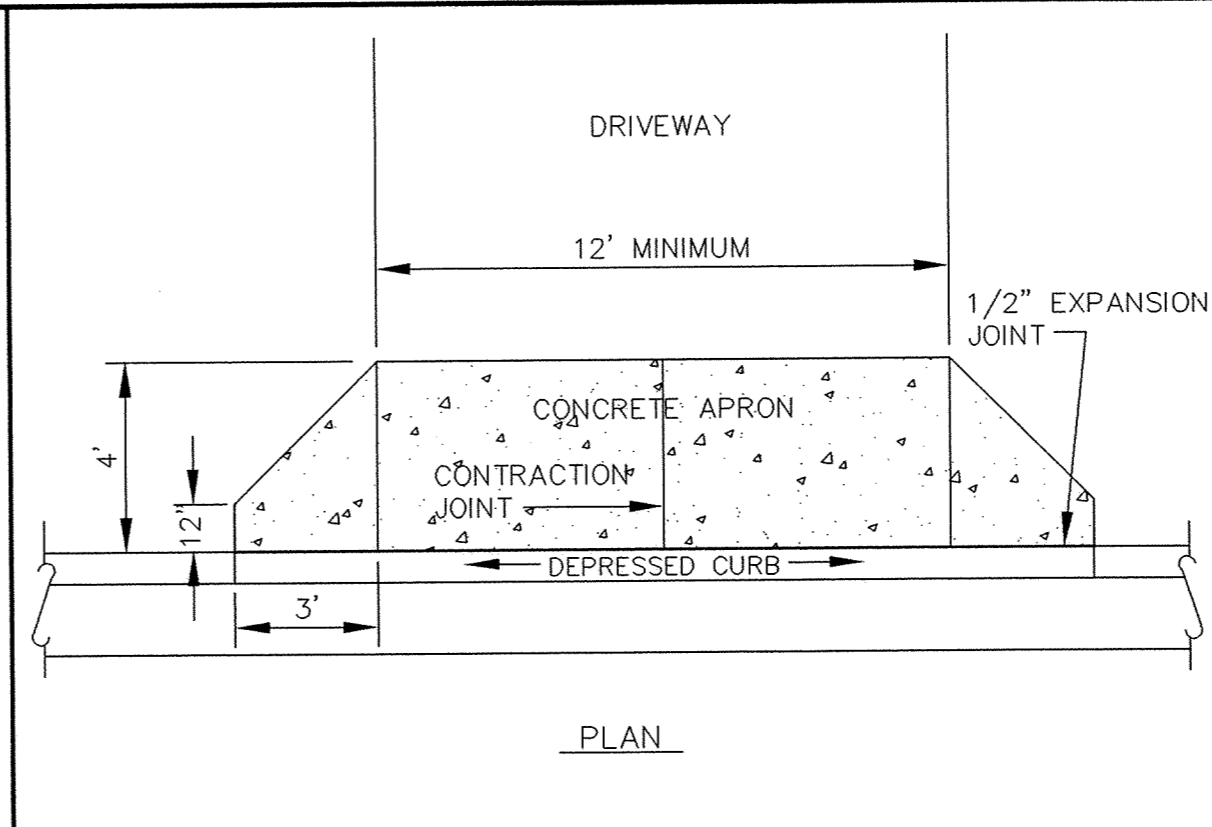
SURMOUNTABLE CONCRETE CURB AND GUTTER



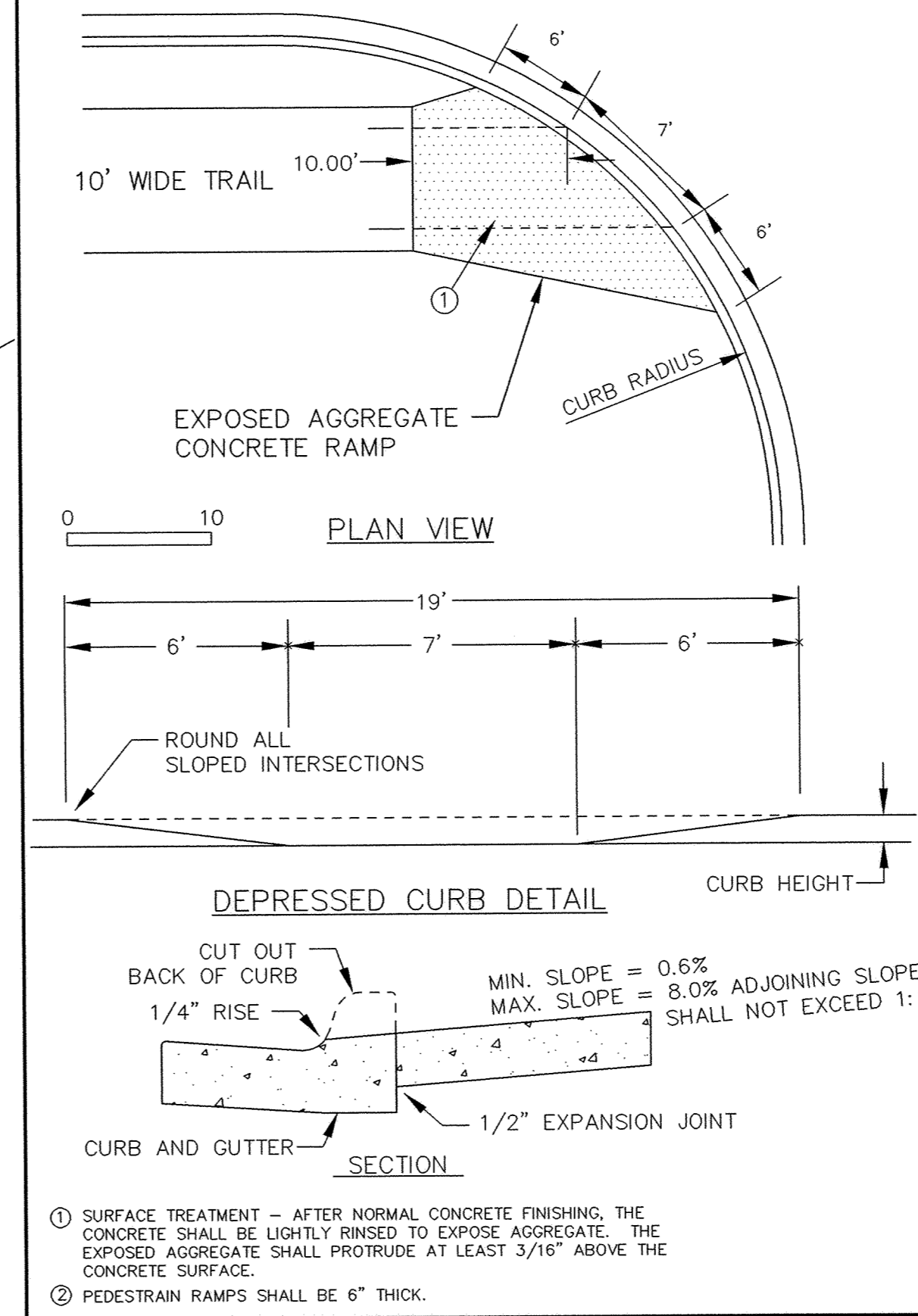
CONCRETE CURB AND GUTTER B618



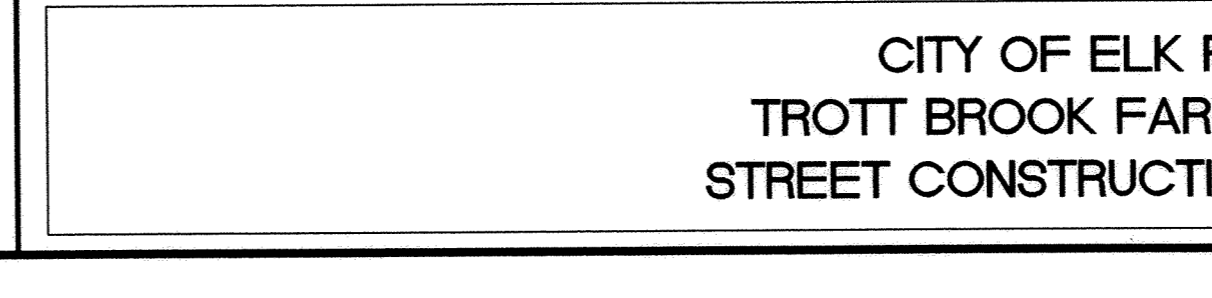
MATCH EXISTING BITUMINOUS SURFACING



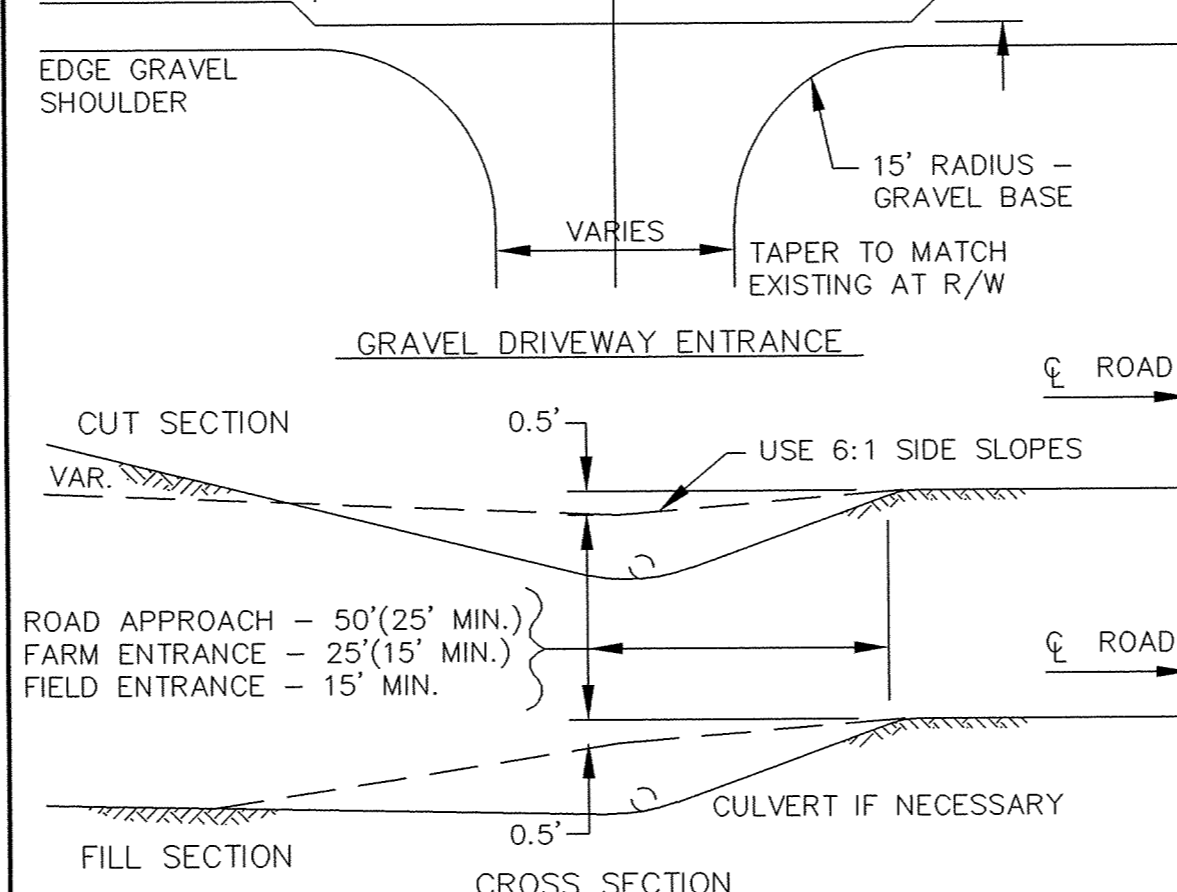
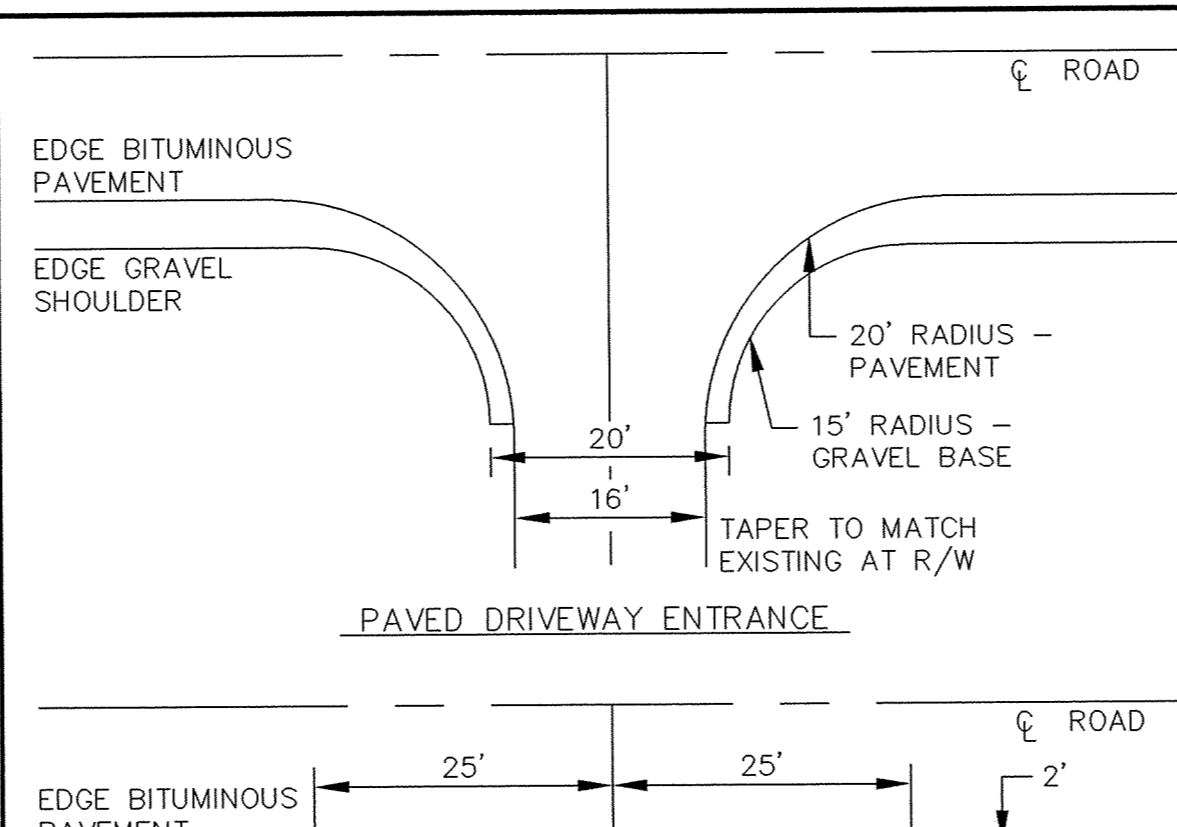
DEPRESSED CURB WITH DRIVEWAY APRON



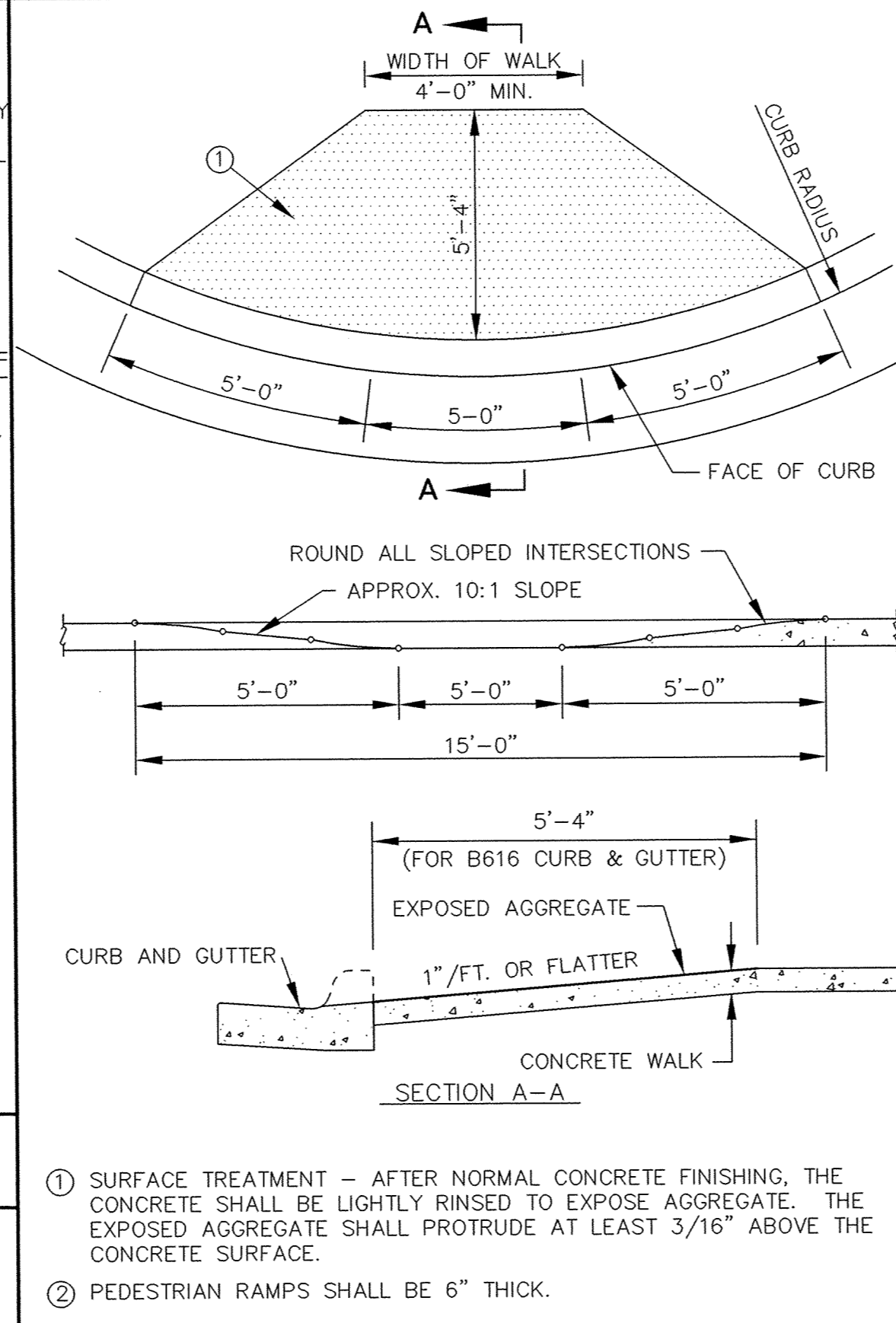
PEDESTRIAN CURB RAMPS FOR TRAILS



MATCH EXISTING BITUMINOUS SURFACING



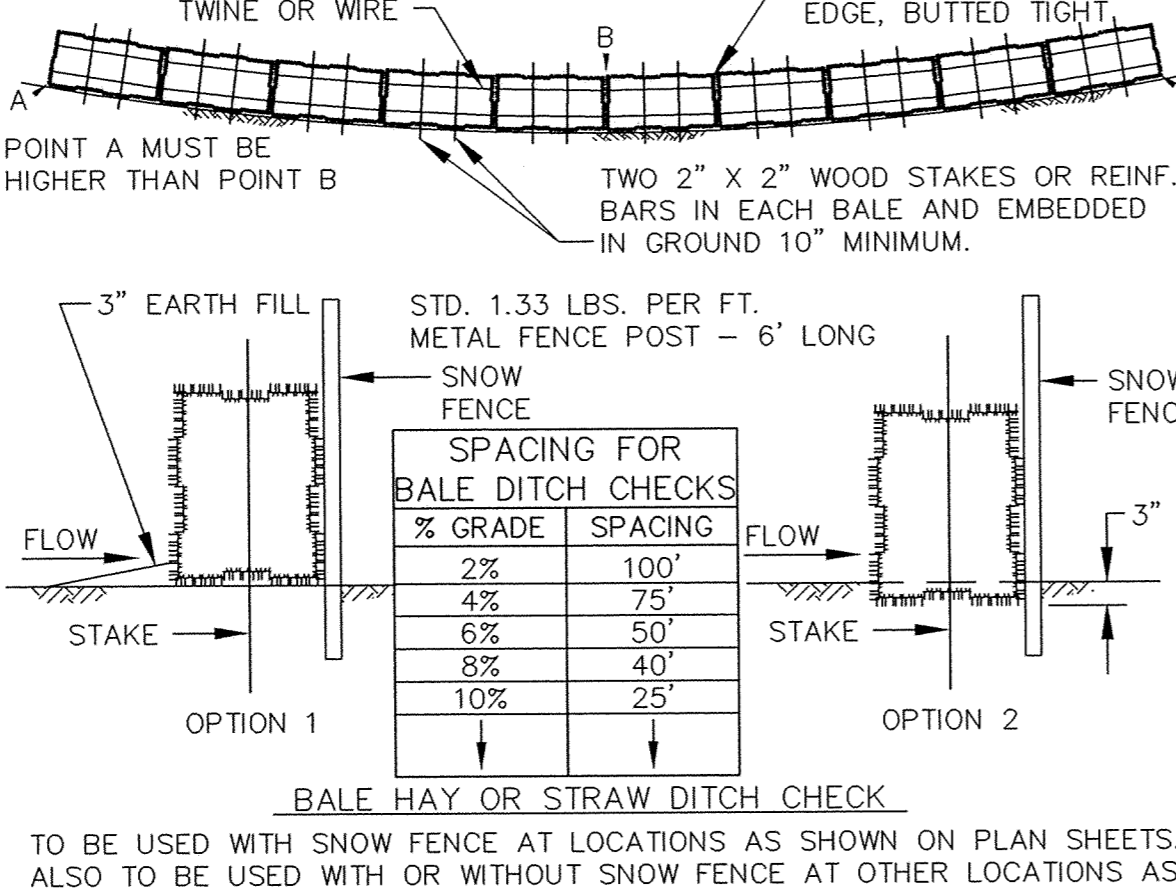
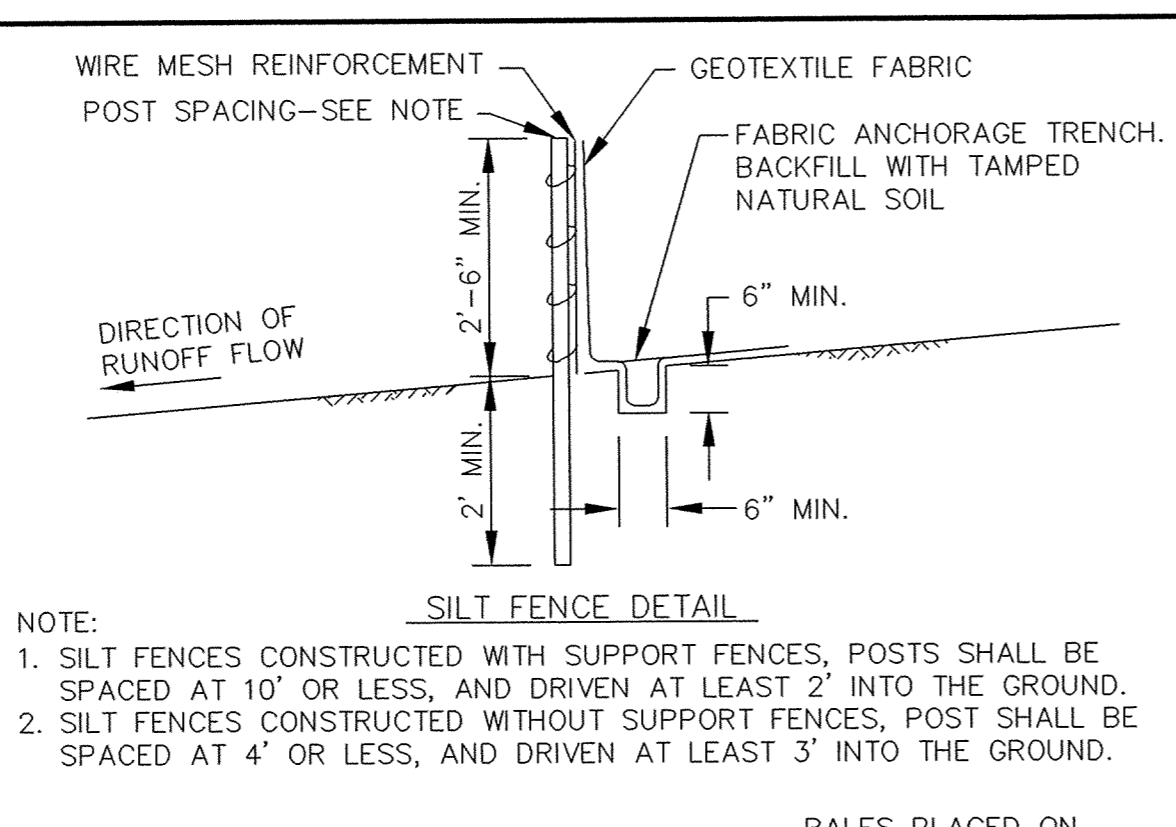
RURAL DRIVEWAY ENTRANCE



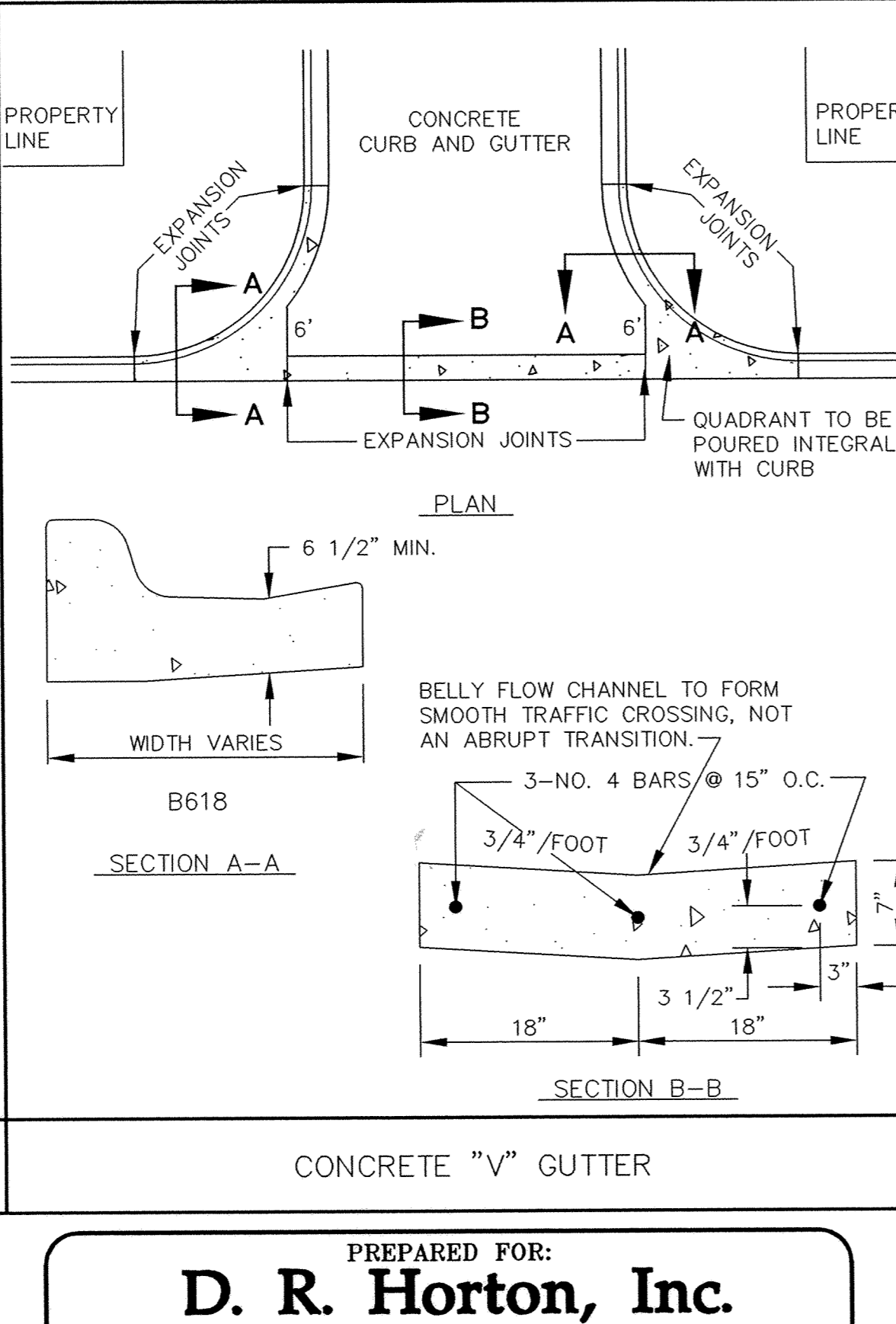
PEDESTRIAN CURB RAMPS FOR SIDEWALKS



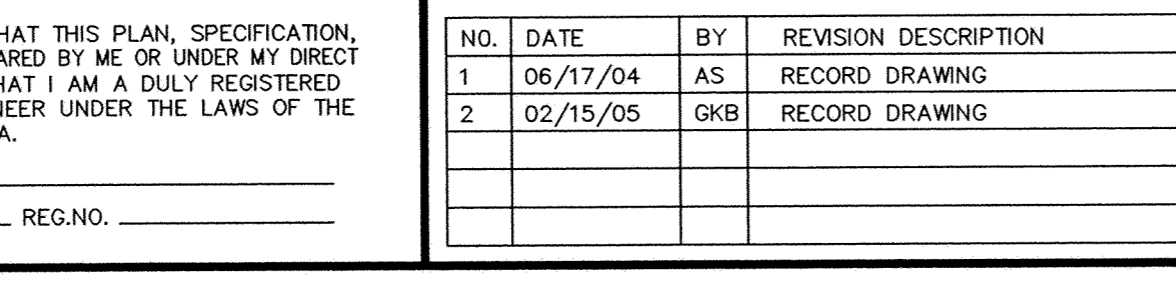
MATCH EXISTING BITUMINOUS SURFACING



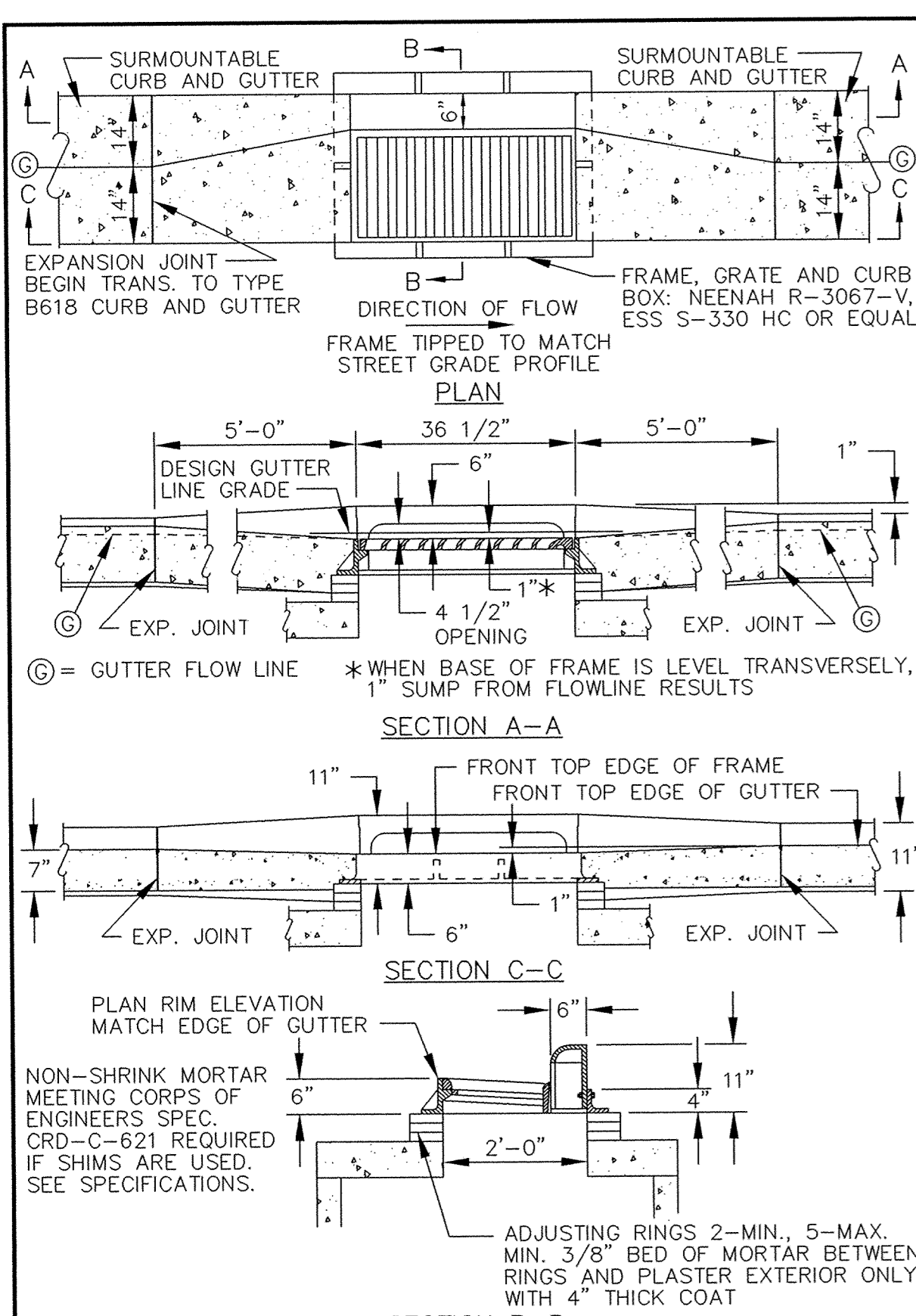
EROSION CONTROL DETAIL



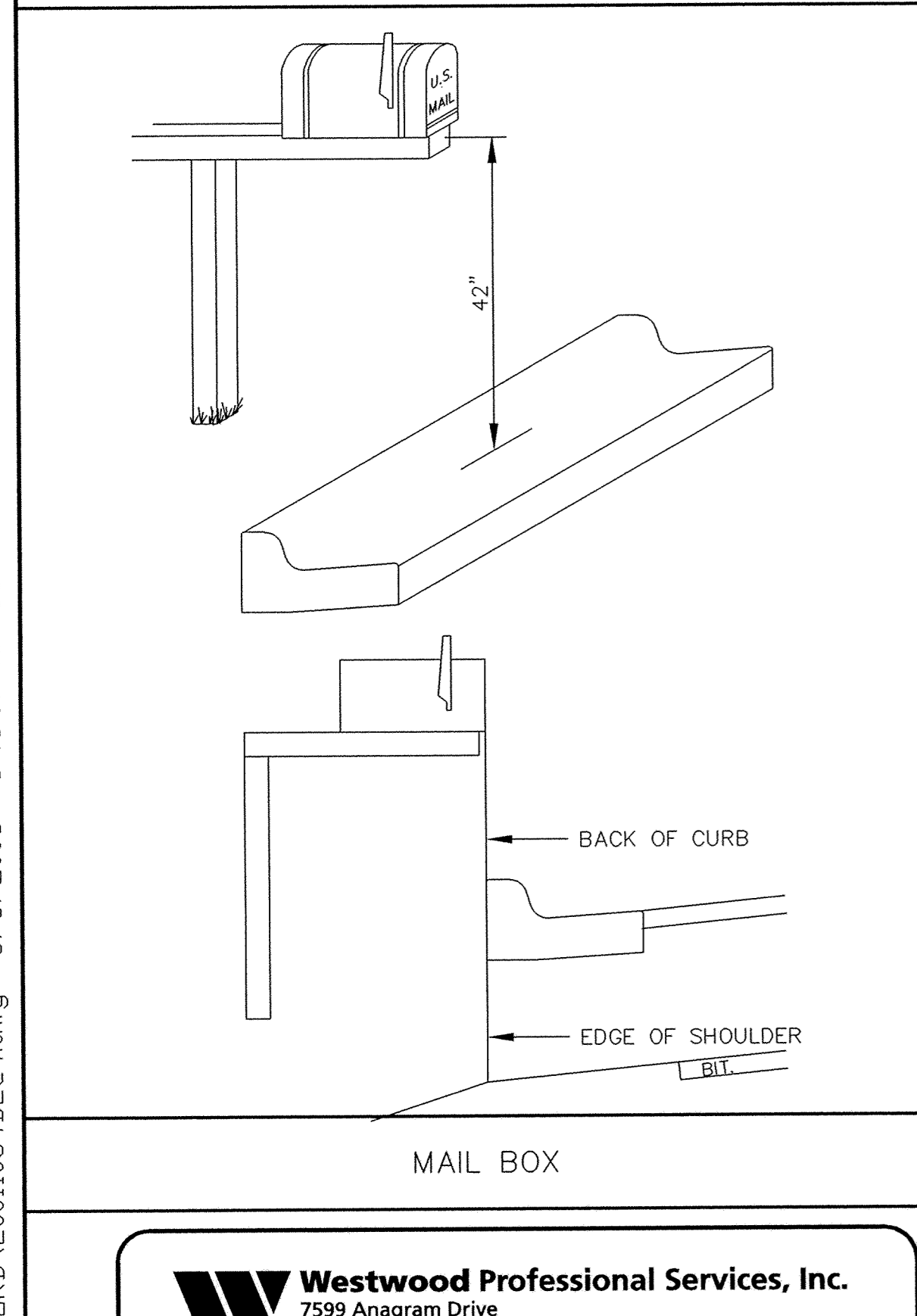
CONCRETE "V" GUTTER



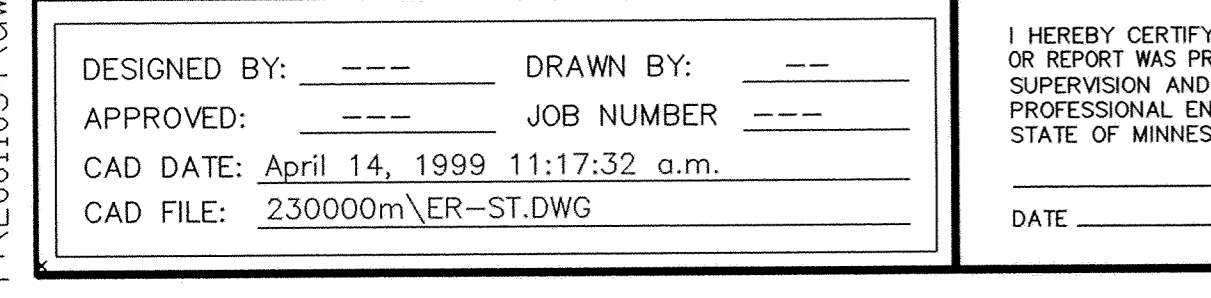
MATCH EXISTING BITUMINOUS SURFACING



CATCH BASIN FRAME PLACEMENT SURMOUNTABLE CURB AND GUTTER



MAIL BOX



MATCH EXISTING BITUMINOUS SURFACING

Westwood Professional Services, Inc.
7599 Anagram Drive
Eden Prairie, MN 55344
Phone: 952/937-5150 Fax: 952/937-5822

PREPARED FOR:
D. R. Horton, Inc.
20860 Kenbridge Court
Lakeville, Minnesota 55044

DESIGNED BY: --- DRAWN BY: ---
APPROVED: --- JOB NUMBER ---
CAD DATE: April 14, 1999 11:17:32 a.m.
CAD FILE: 230000m\ER-ST.DWG

I HEREBY CERTIFY THAT THIS PLAN, SPECIFICATION, OR REPORT WAS PREPARED BY ME OR UNDER MY DIRECT SUPERVISION AND THAT I AM A DULY REGISTERED PROFESSIONAL ENGINEER UNDER THE LAWS OF THE STATE OF MINNESOTA.

NO.	DATE	BY	REVISION DESCRIPTION
1	06/17/04	AS	RECORD DRAWING
2	02/15/05	GKB	RECORD DRAWING

1326 ENERGY PARK DRIVE
ST. PAUL, MINNESOTA 55108
(612) 644-4389
Howard R. Green Company
CONSULTING ENGINEERS

CITY OF ELK RIVER
TROTT BROOK FARMS SOUTH
STREET CONSTRUCTION DETAILS

SHEET NO.
20
OF
21

P:\20011034\dwg\RECORD\20011034DE@4.dwg 5/3/2005 8:46:07 AM CST