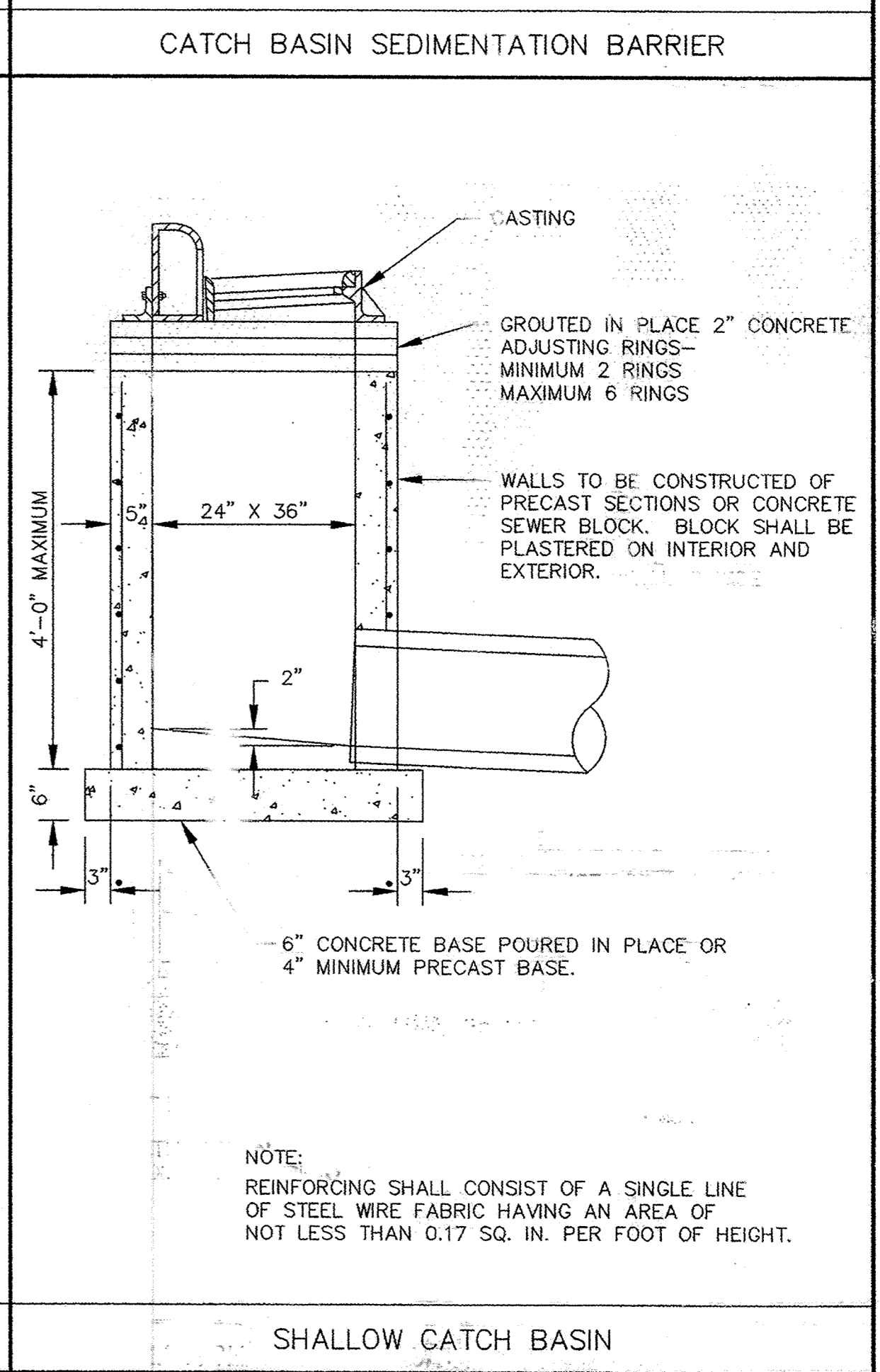
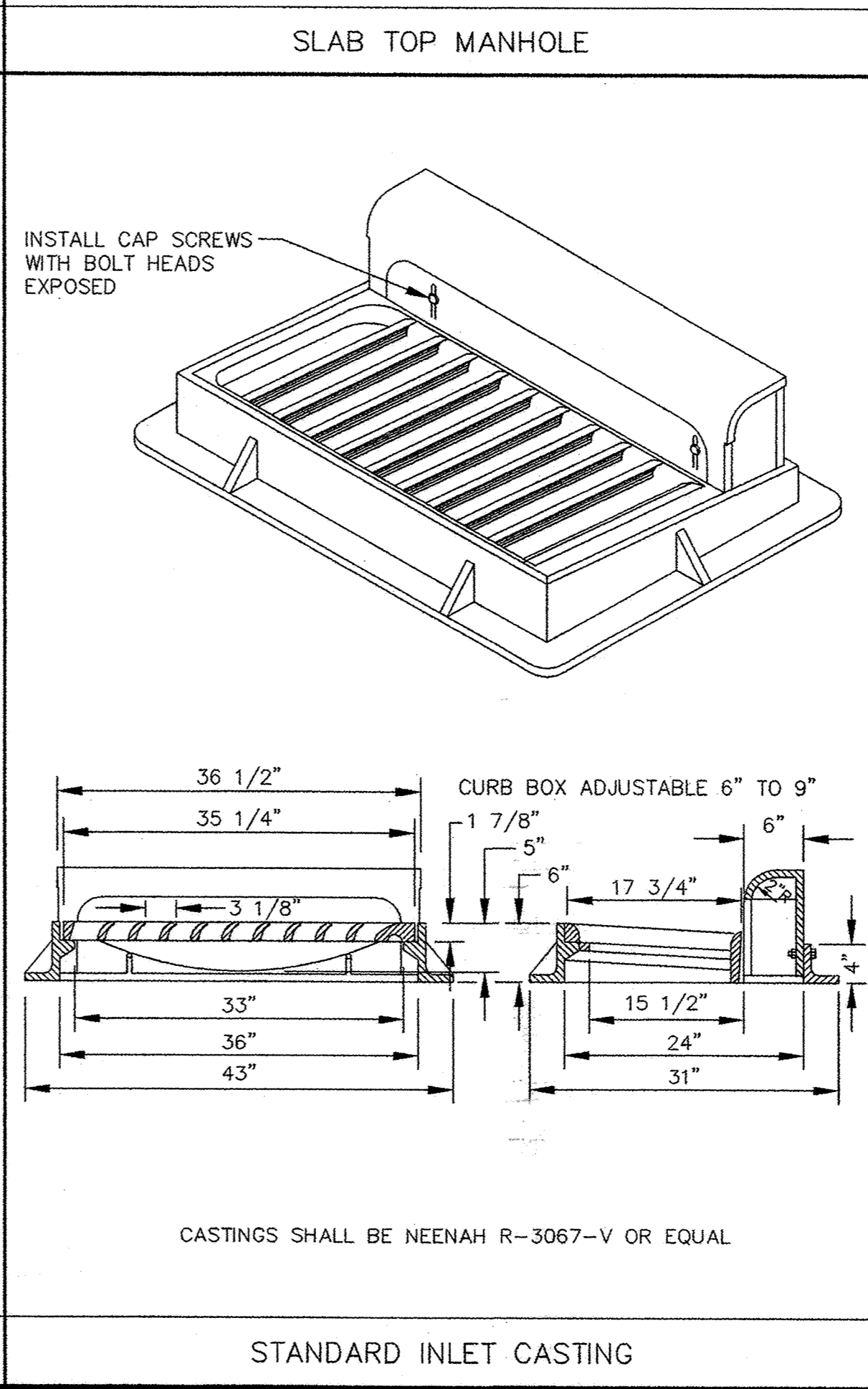
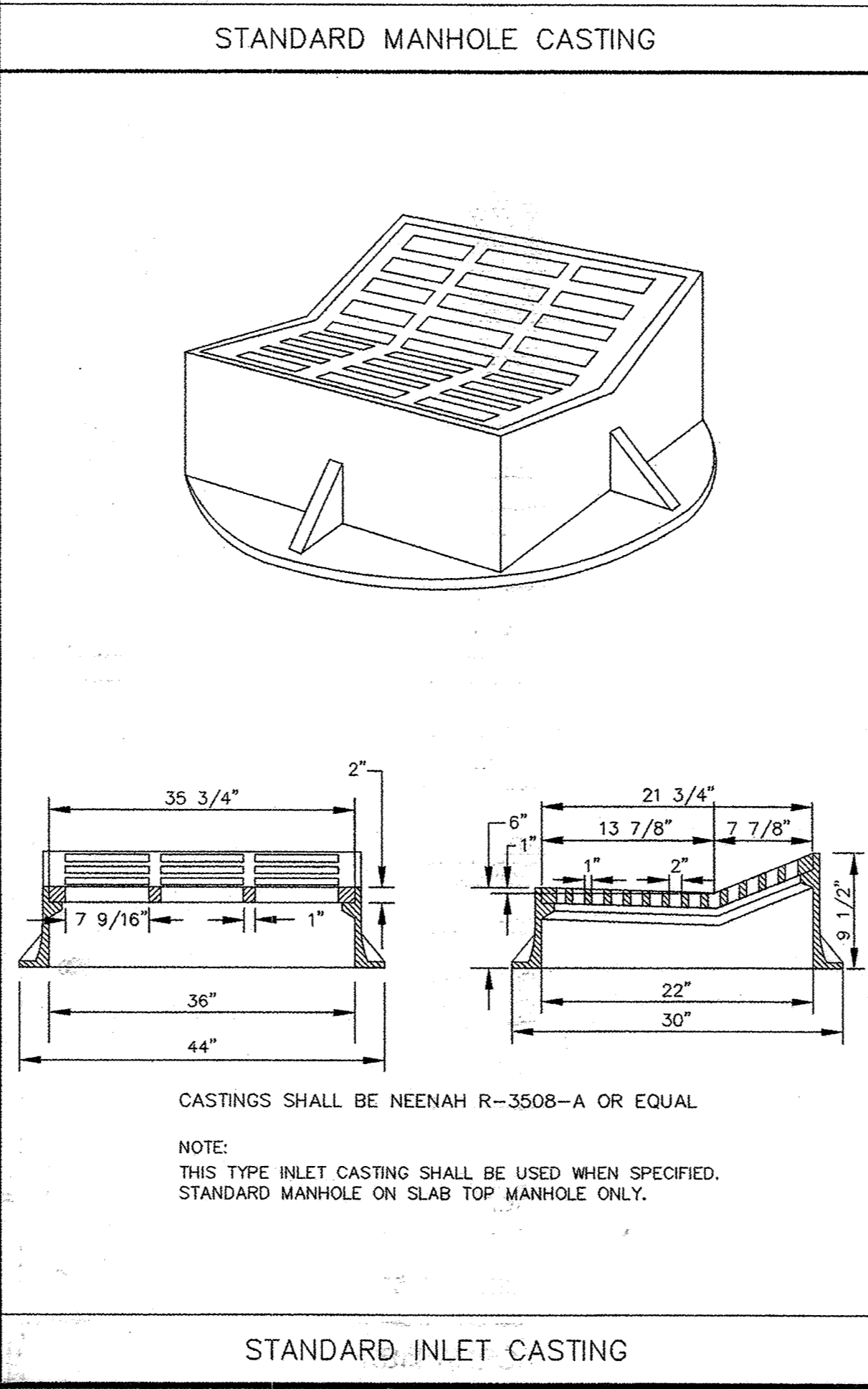
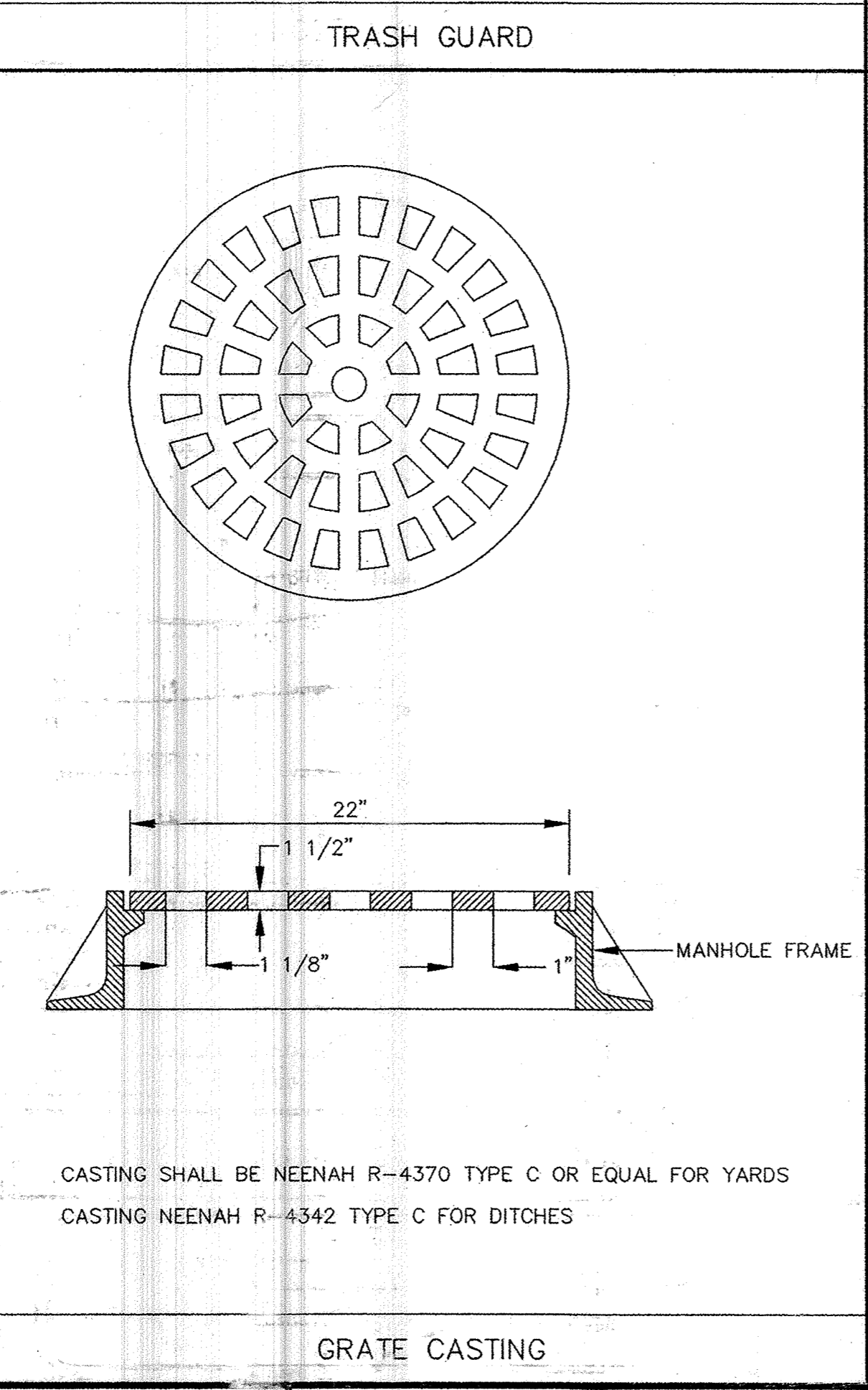
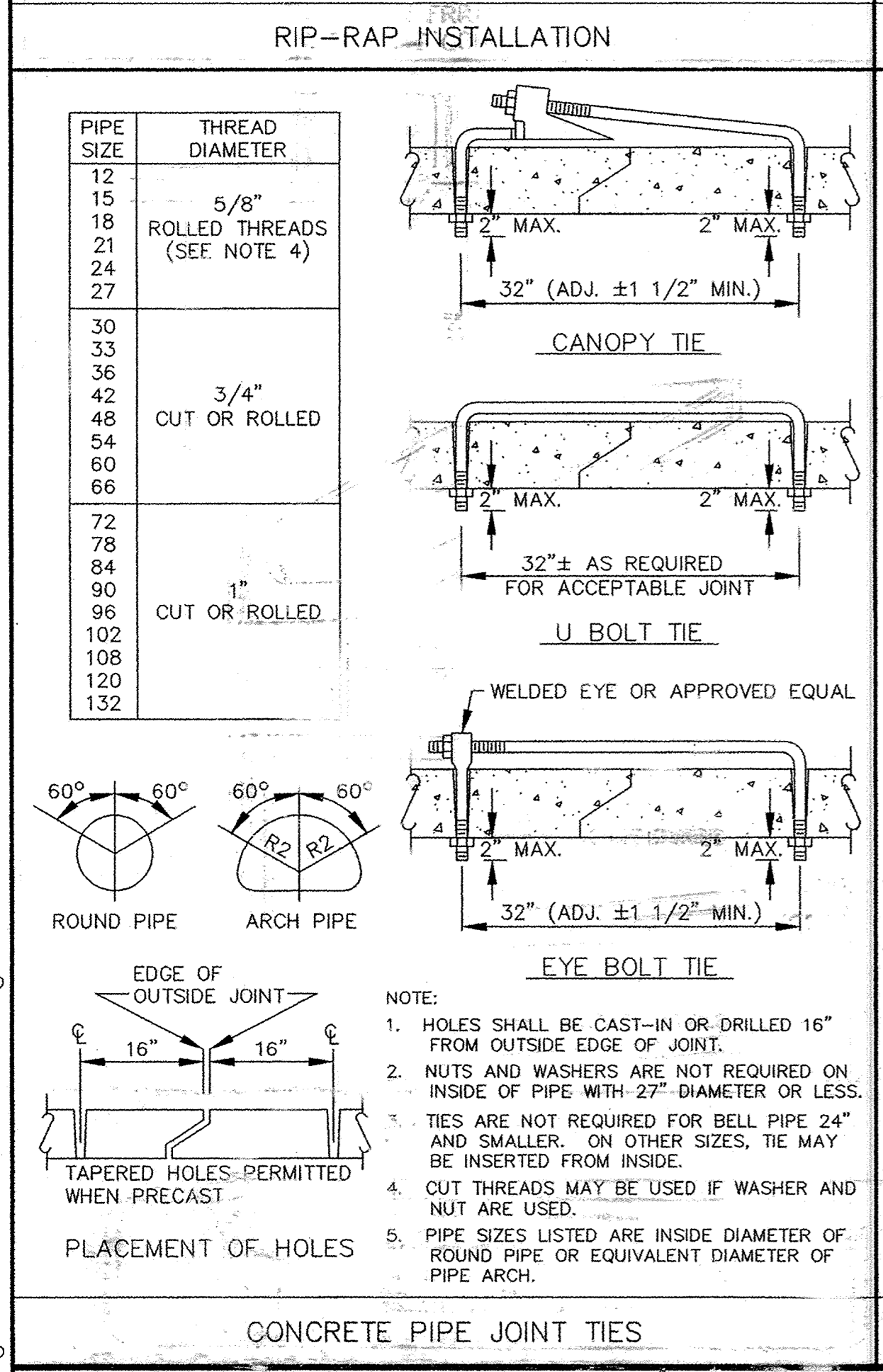


Westwood Professional Services, Inc.  
7699 Anagram Drive  
Eden Prairie, MN 55344  
PHONE 952-937-5150  
FAX 952-937-5822  
TOLL FREE 1-888-937-5150  
www.westwoodps.com

PREPARED FOR:  
**D.R. Horton, Inc.**  
20860 Kenbridge Court, Suite 100  
Lakeville, MN 55044

**CONTRACTOR: Ryan Contracting Co.**  
8700 13th Ave. East  
Shakopee, MN 55379  
# 952-894-3200

**RECORD DRAWING**  
CONFORMING TO CONSTRUCTION RECORDS.  
BY STEVE PHILIPSEN DATE 12/08/06  
WESTWOOD PROFESSIONAL SERVICES



DESIGNED BY: \_\_\_\_\_ DRAWN BY: \_\_\_\_\_  
 APPROVED: \_\_\_\_\_ JOB NUMBER: \_\_\_\_\_  
 CAD DATE: April 14, 1999 11:14:59 a.m.  
 CAD FILE: 230000m\ER-SM.DWG

I HEREBY CERTIFY THAT THIS PLAN, SPECIFICATION, OR REPORT WAS PREPARED BY ME OR UNDER MY DIRECT SUPERVISION AND THAT I AM A DULY REGISTERED PROFESSIONAL ENGINEER UNDER THE LAWS OF THE STATE OF MINNESOTA.  
 DATE: 9/21/06 REG. NO. \_\_\_\_\_

NO.	DATE	BY	REVISION DESCRIPTION
01	09/21/06	RECORD DRAWING (JSM/SRB)	

1326 ENERGY PARK DRIVE  
ST. PAUL, MINNESOTA 55108  
(612) 644-4389

**Howard R. Green Company**  
CONSULTING ENGINEERS

**CITY OF ELK RIVER**  
**TROTT BROOK FARMS 11TH ADDITION**  
**STORM SEWER DETAILS**

SHEET NO.  
**9**  
OF  
**10**

P:\20041209.dwg \RECORD\20041209DE@3.dwg 10/12/2006 12:29:18 PM CST