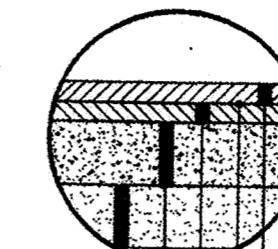


CONTRACTOR: Ryan Contracting Co.  
8700 13th Ave. East  
Shakopee, MN 55379  
# 952-894-3200

Call 48 Hours before digging:  
**GOPHER STATE ONE CALL**  
Twin City Area 651-454-0002  
Mn. Toll Free 1-800-252-1166

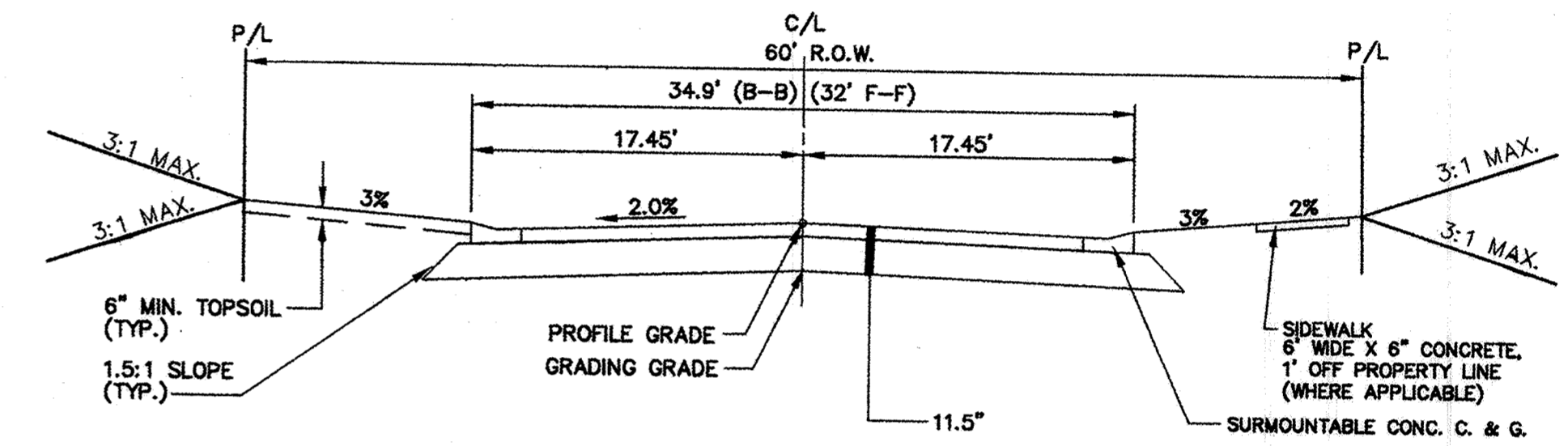
**RECORD DRAWING**  
CONFORMING TO CONSTRUCTION RECORDS.  
BY STEVE PHILIPSEN DATE 12/08/06  
WESTWOOD PROFESSIONAL SERVICES

STORM SEWER CASTING SCHEDULE			
NUMBER	STRUCTURE	DIA.	CASTING TYPE
102	CBMH	48"	R-3067
102A	FES	15"	TRASH GUARD
103	CB	2'x3'	R-3067
103A	STMH	48"	R-1733
104	CBMH	48"	R-3067
105	CB	2'x3'	R-3067
106	FES	15"	TRASH GUARD
107	STMH	48"	R-1733
108	CBMH	48"	R-3067
109	CB	2'x3'	R-3067
110	FES	12"	TRASH GUARD
111	OCS	48"	SEE DETAIL

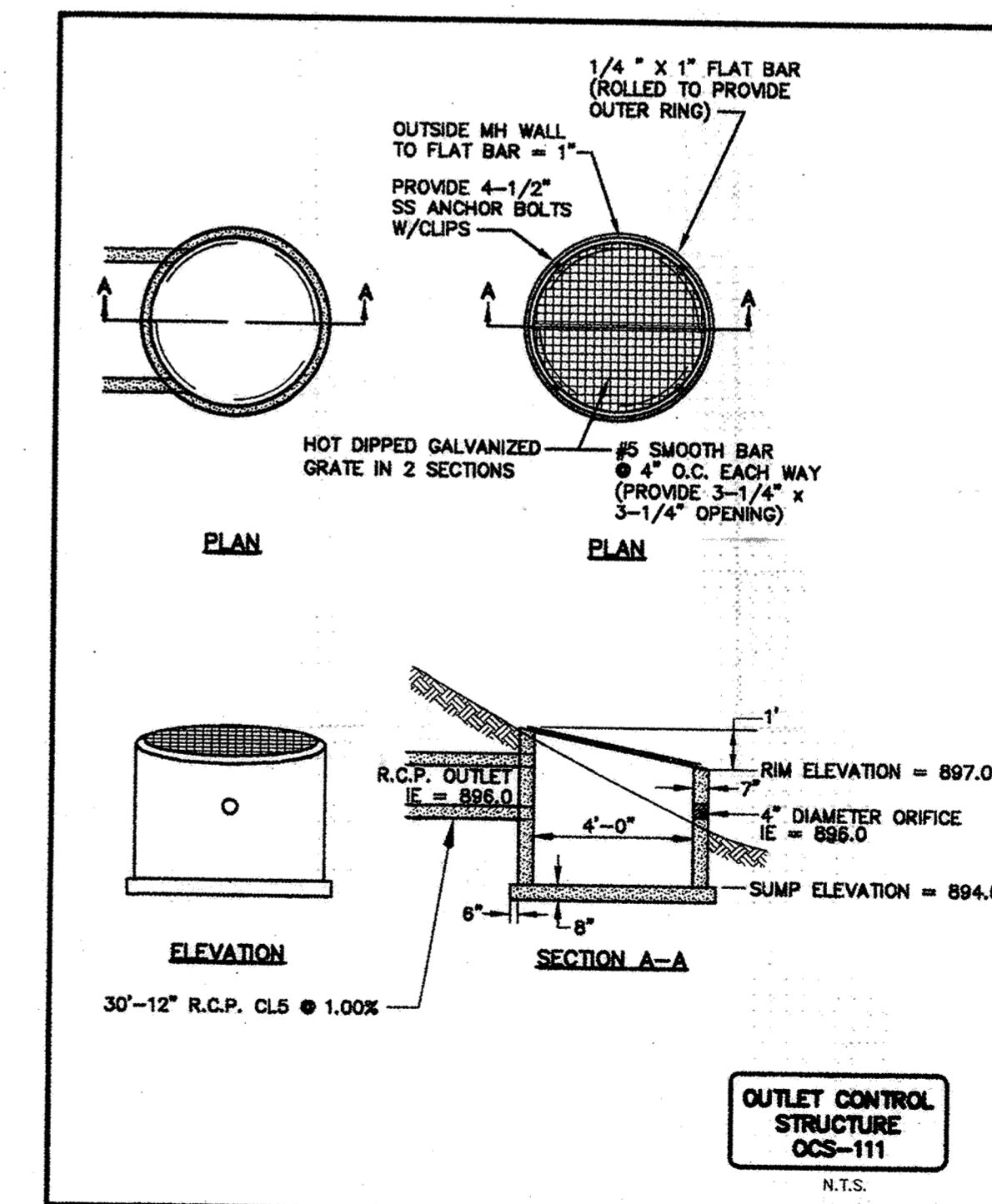


- 1-1/2" MNDOT 2350 TYPE MVME 45035C PLANT MIXED BITUMINOUS WEARING COURSE
- TACK COAT, MNDOT 2357
- 2" MNDOT 2350 TYPE LVNW35030C PLANT MIXED BITUMINOUS BASE COURSE
- 8" GRAVEL BASE CLASS 5) (100% CRUSHED, RECYCLED)
- SUBGRADE PREPARATION, APPROVED BY THE ENGINEER

**TYPICAL STREET SECTION**  
NOT TO SCALE

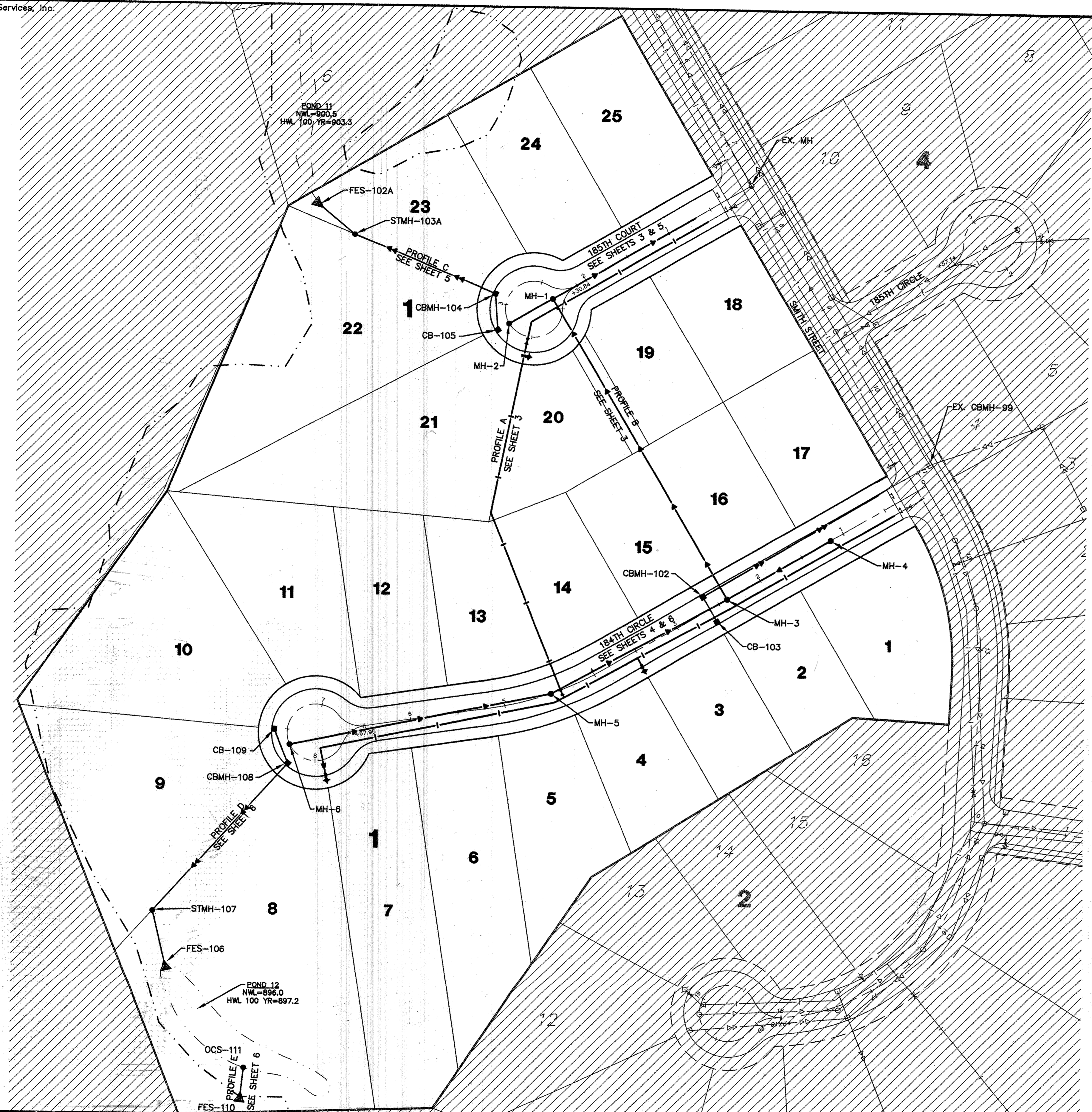
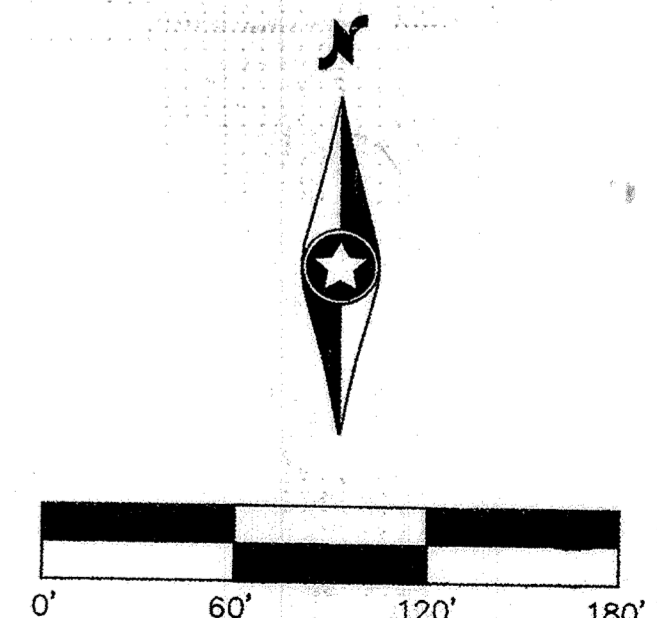


**32' F-F TYPICAL STREET SECTION**  
NO SCALE



**LEGEND**

- PROPOSED**
- Sanitary Sewer
  - Water
  - Hyd. w/Valve
  - Storm Sewer
- EXISTING**
- Sanitary Sewer
  - Water
  - Hyd. w/Valve
  - Storm Sewer



I hereby certify that this plan was prepared by me or under my direct supervision and that I am a duly licensed PROFESSIONAL ENGINEER under the laws of the State of Minnesota.  
*Jason M. McCarty*  
Jason M. McCarty  
Date: 12/08/06 License No. 41955

Revisions:

02/28/05	Per City Review (JMH/WH)
04/05/05	Per City Review (JMH)
04/15/06	RECORD DRAWING (LGM)
10/12/06	RECORD DRAWING ADDITIONS (OIS)
12/08/06	RECORD DRAWING - BOM COMMENTS (SWW)

Designed: DDM  
Checked: CLJ  
Drawn: HW  
Record Drawing by/Date:

Prepared for:

**D.R. Horton, Inc.**  
20860 Kenbridge Court, Suite 100  
Lakeville, Minnesota 55044

**Trott Brook Farms**  
**11th Addition**  
Elk River, Minnesota

E-3\_200412090A@01.DWG  
Latest Revision Date: 09/21/06  
Date: 12/30/04 Sheet: 2 OF 10

Overall Plan

**Westwood**  
Westwood Professional Services, Inc.  
7899 Anagram Drive  
Eden Prairie, MN 55344  
PHONE 952-897-5150  
FAX 952-897-5322  
TOLL FREE 1-888-937-5150  
www.westwoods.com

P:\20041209\dwg\RECORD\200412090A@01.dwg 10/12/2006 12:08:38 PM CST

REVISIONS: 01/12/06 PER CITY REVIEW (JMH/WH) 02/28/05 PER CITY REVIEW (JMH) 04/05/05 PER CITY REVIEW (JMH) 04/15/06 RECORD DRAWING (LGM) 10/12/06 RECORD DRAWING ADDITIONS (OIS) 12/08/06 RECORD DRAWING - BOM COMMENTS (SWW)