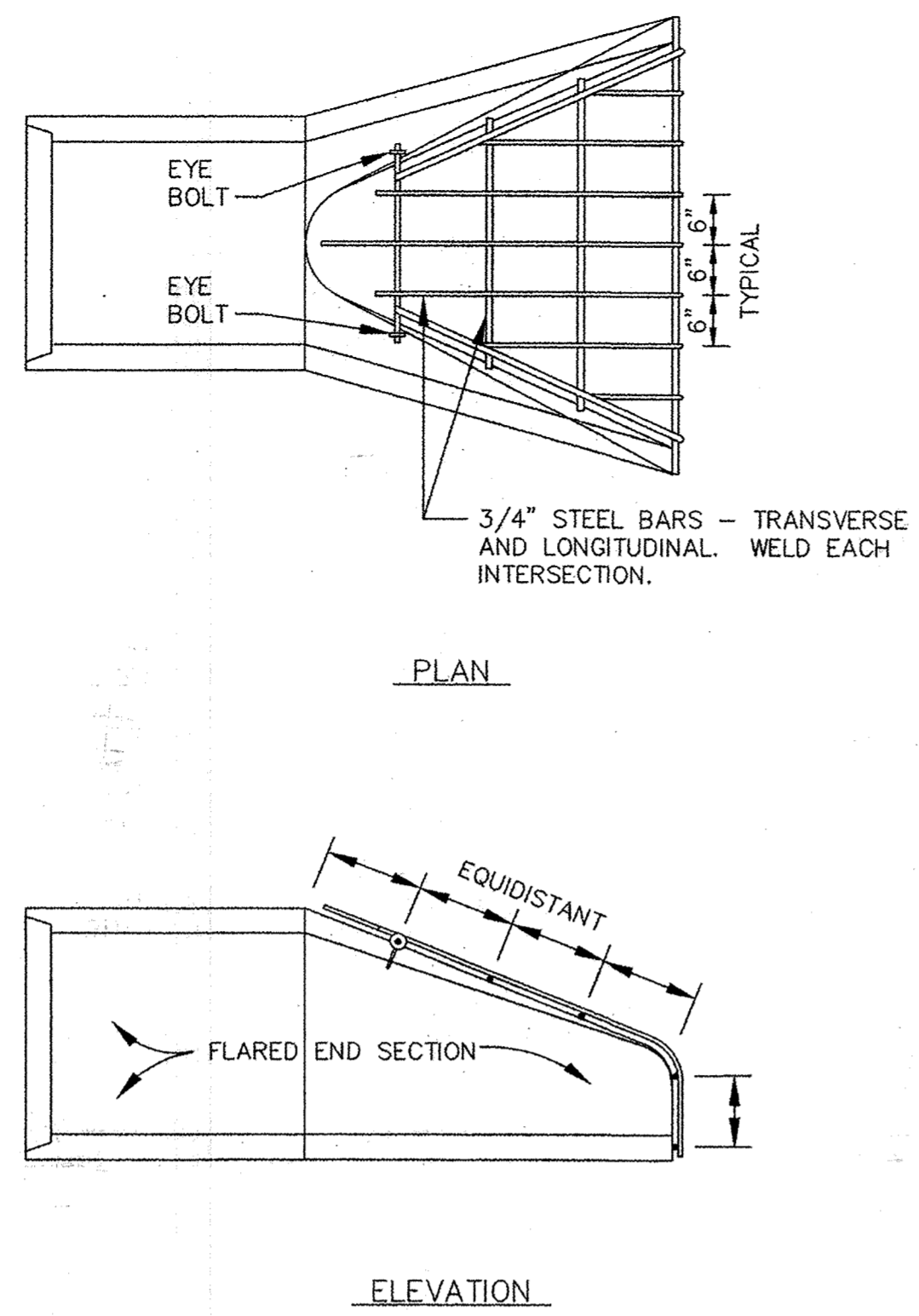


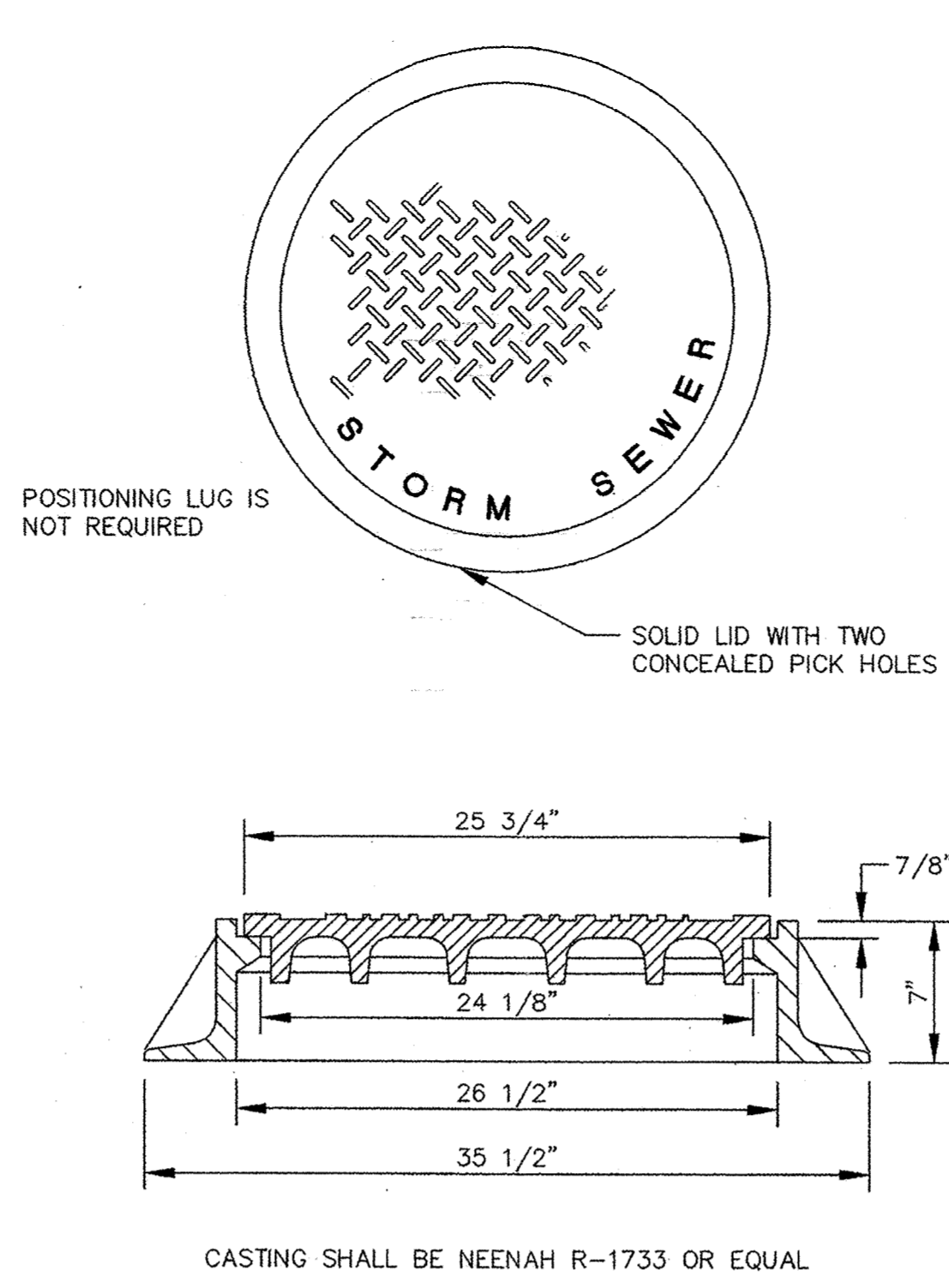
TABLE OF QUANTITIES
RIPRAP AT RCP OUTLETS

CLASS IV d ₅₀ =12"			
DIA. OF ROUND PIPE (IN.)	L (FT.)	24" DEPTH RIPRAP (CU. YDS.)	12" DEPTH GRANULAR FILTER (CU. YDS.)
12	8	5.5	2.8
15	8	5.8	2.9
18	10	7.8	3.9
21	10	8.4	4.2
24	12	11.0	5.5
27	12	11.6	5.8
30	14	14.5	7.3
36	16	18.3	9.2
42	18	21.7	10.9
48	20	25.8	12.9

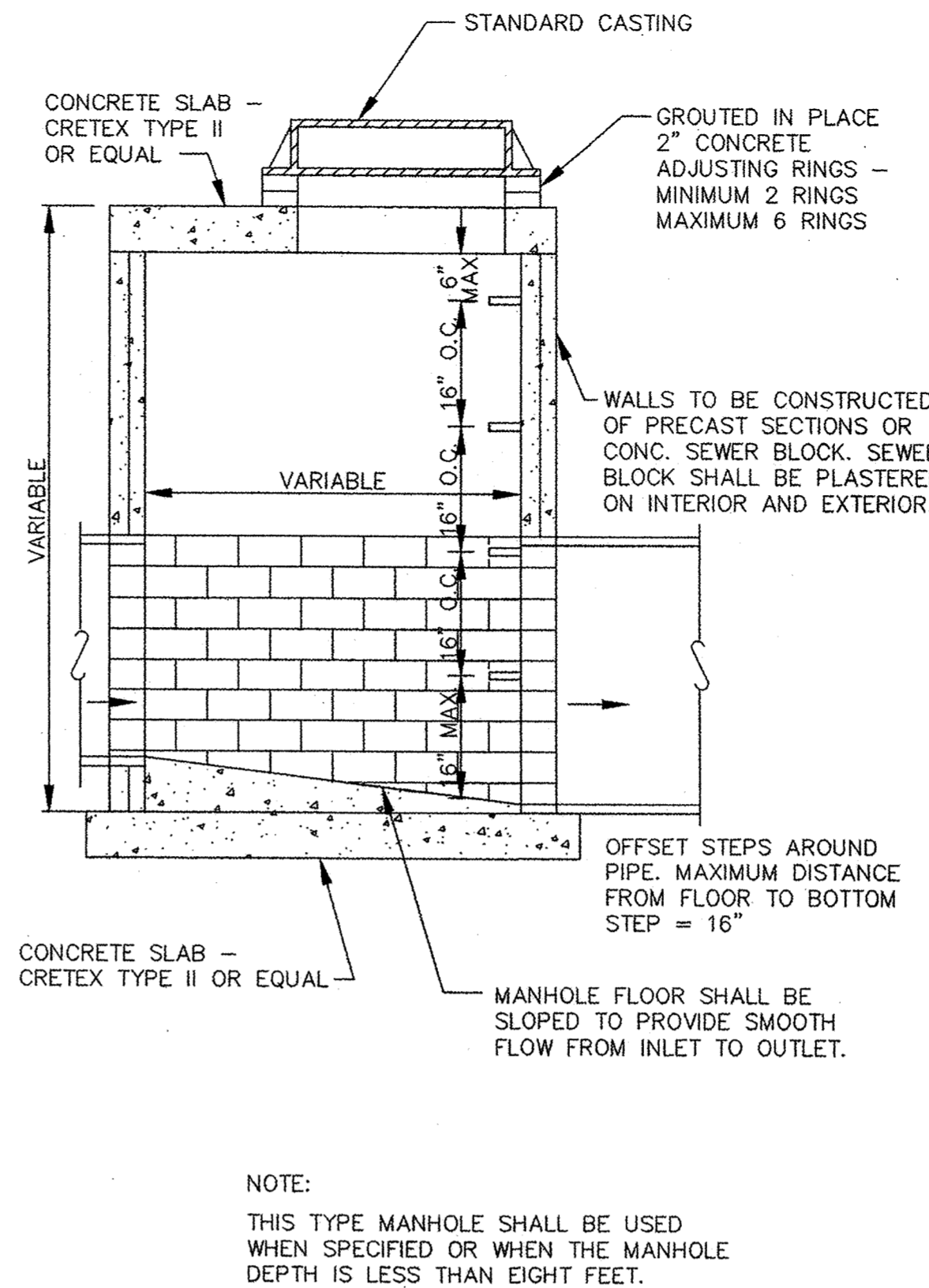
RIP-RAP INSTALLATION



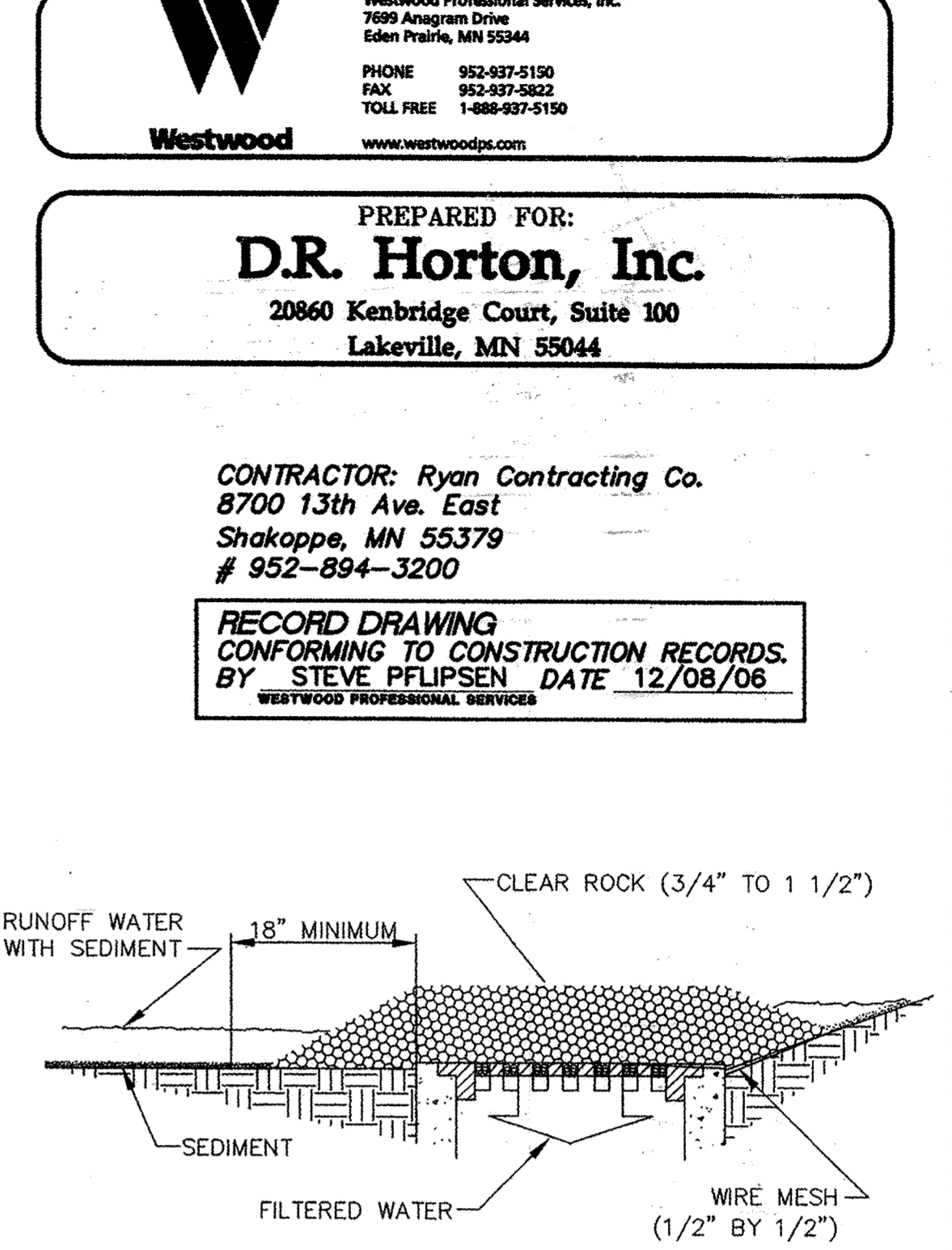
TRASH GUARD



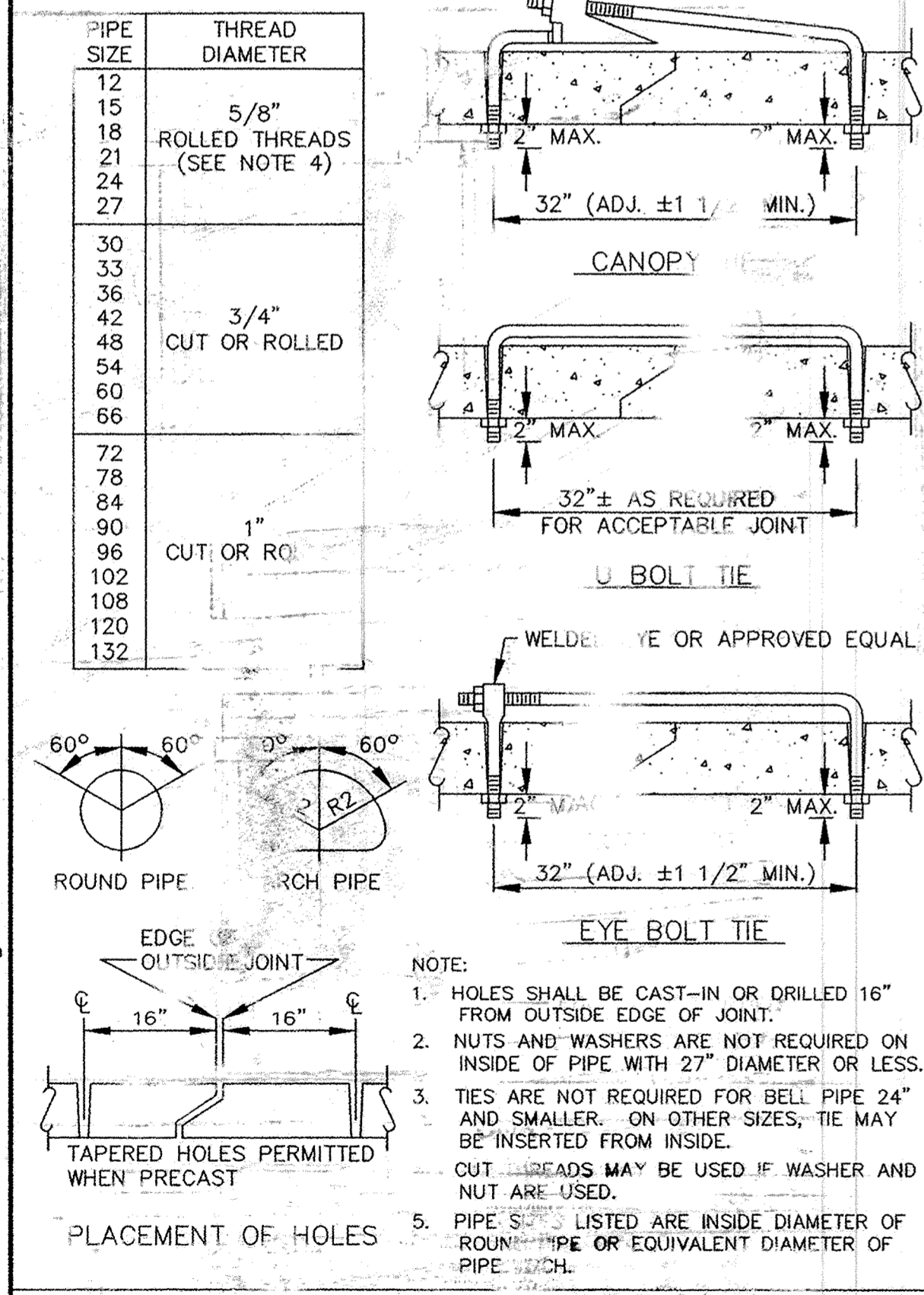
STANDARD MANHOLE CASTING



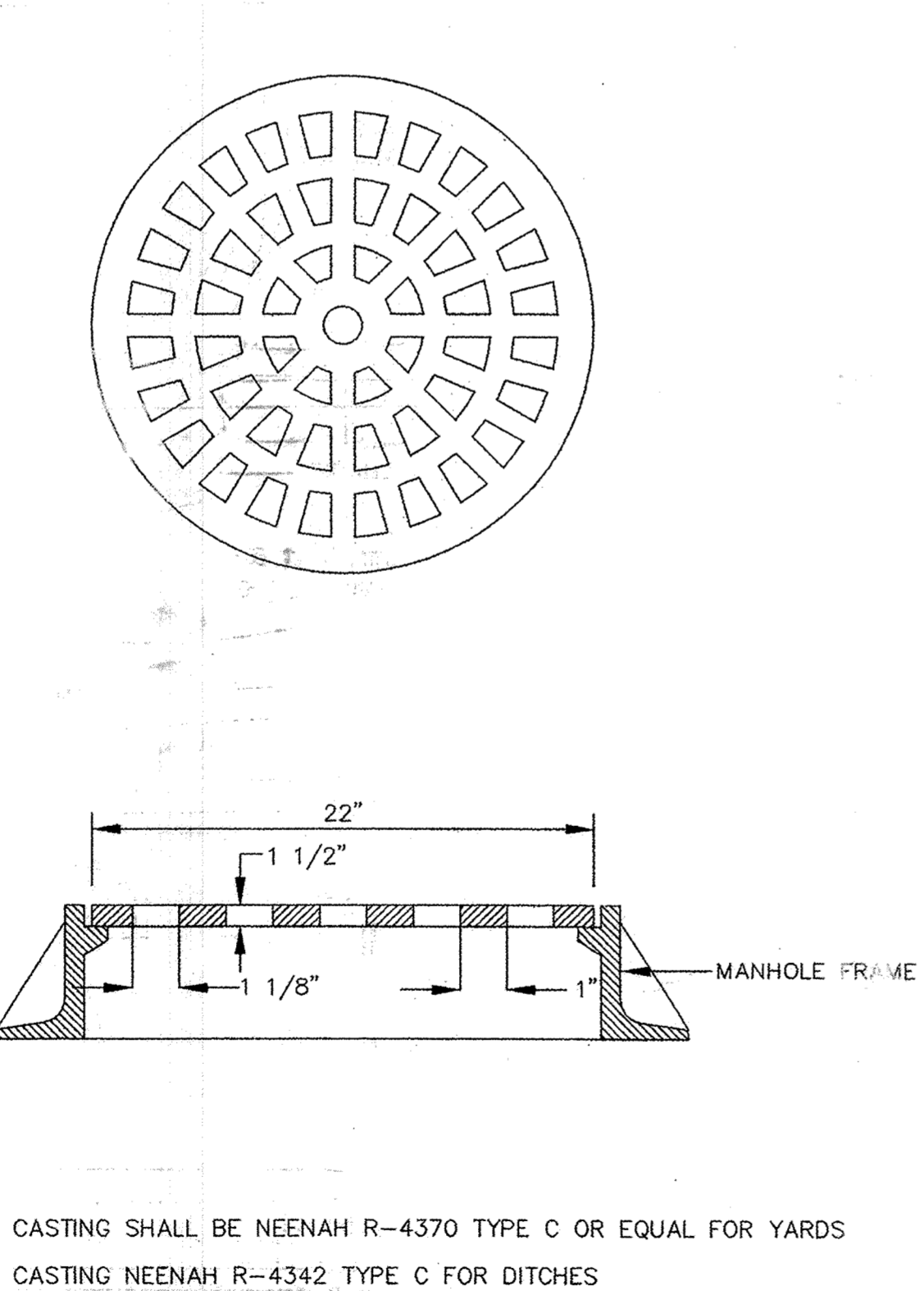
SLAB TOP MANHOLE



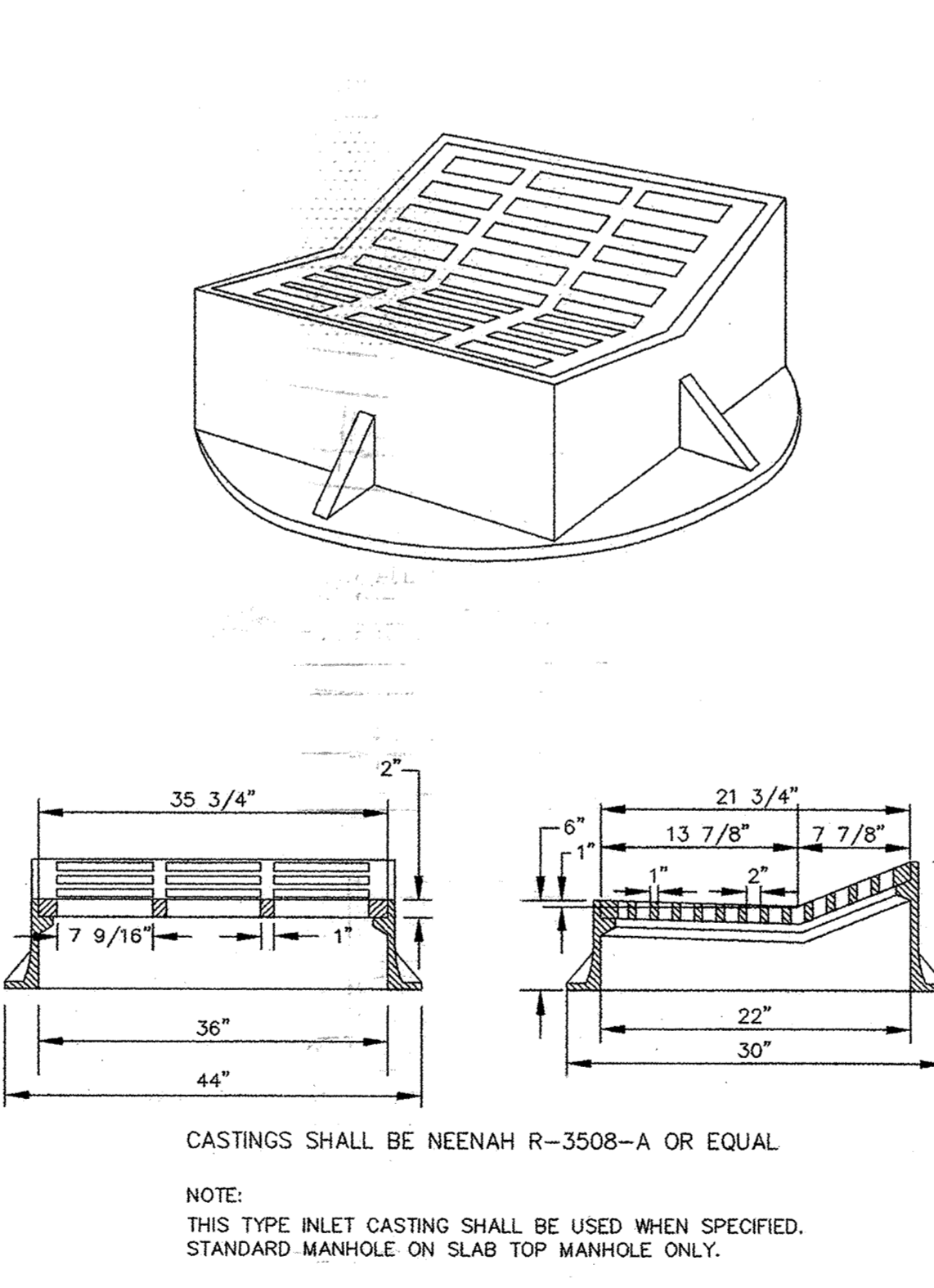
CATCH BASIN SEDIMENTATION BARRIER



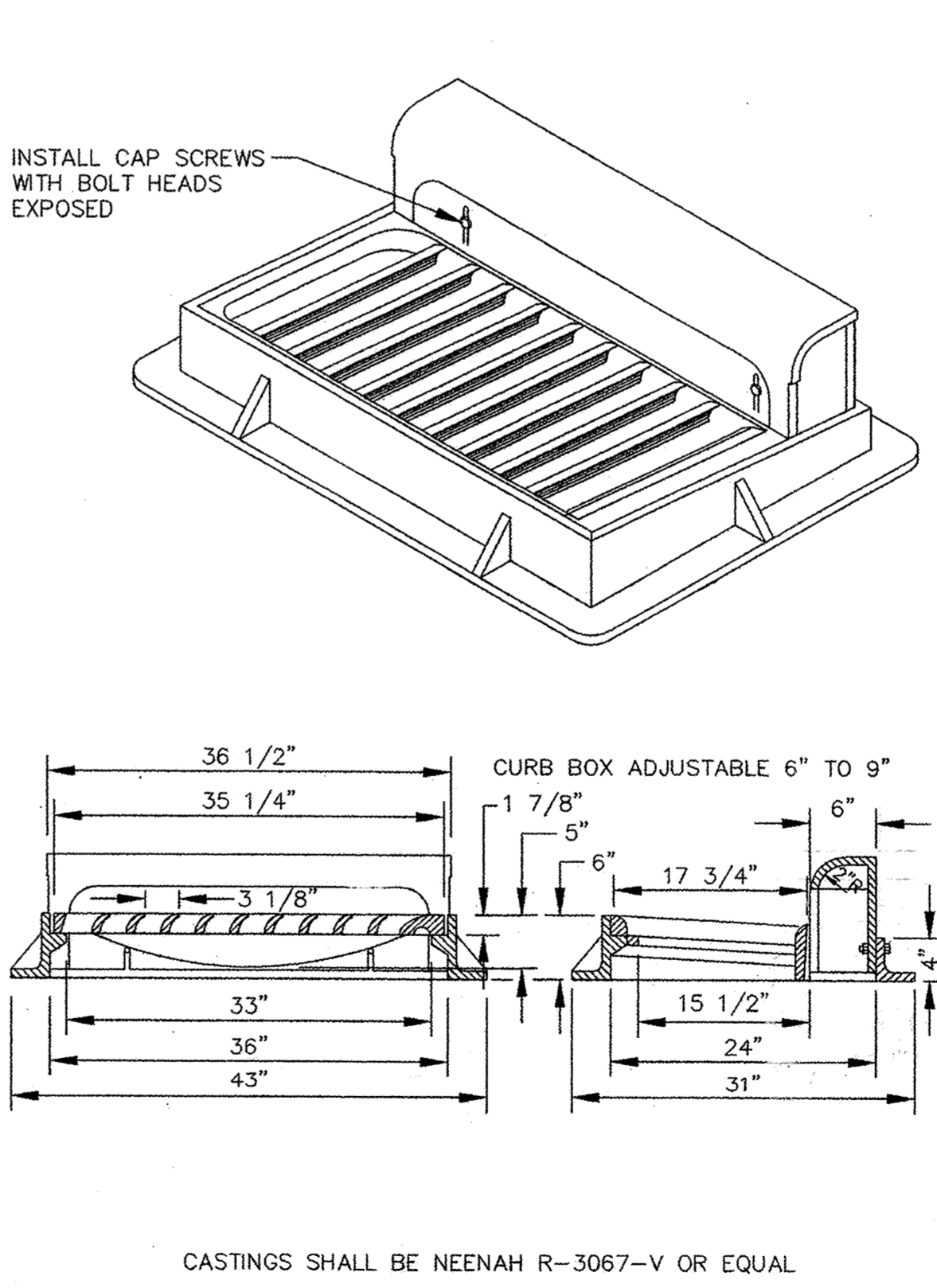
CONCRETE PIPE JOINT TIES



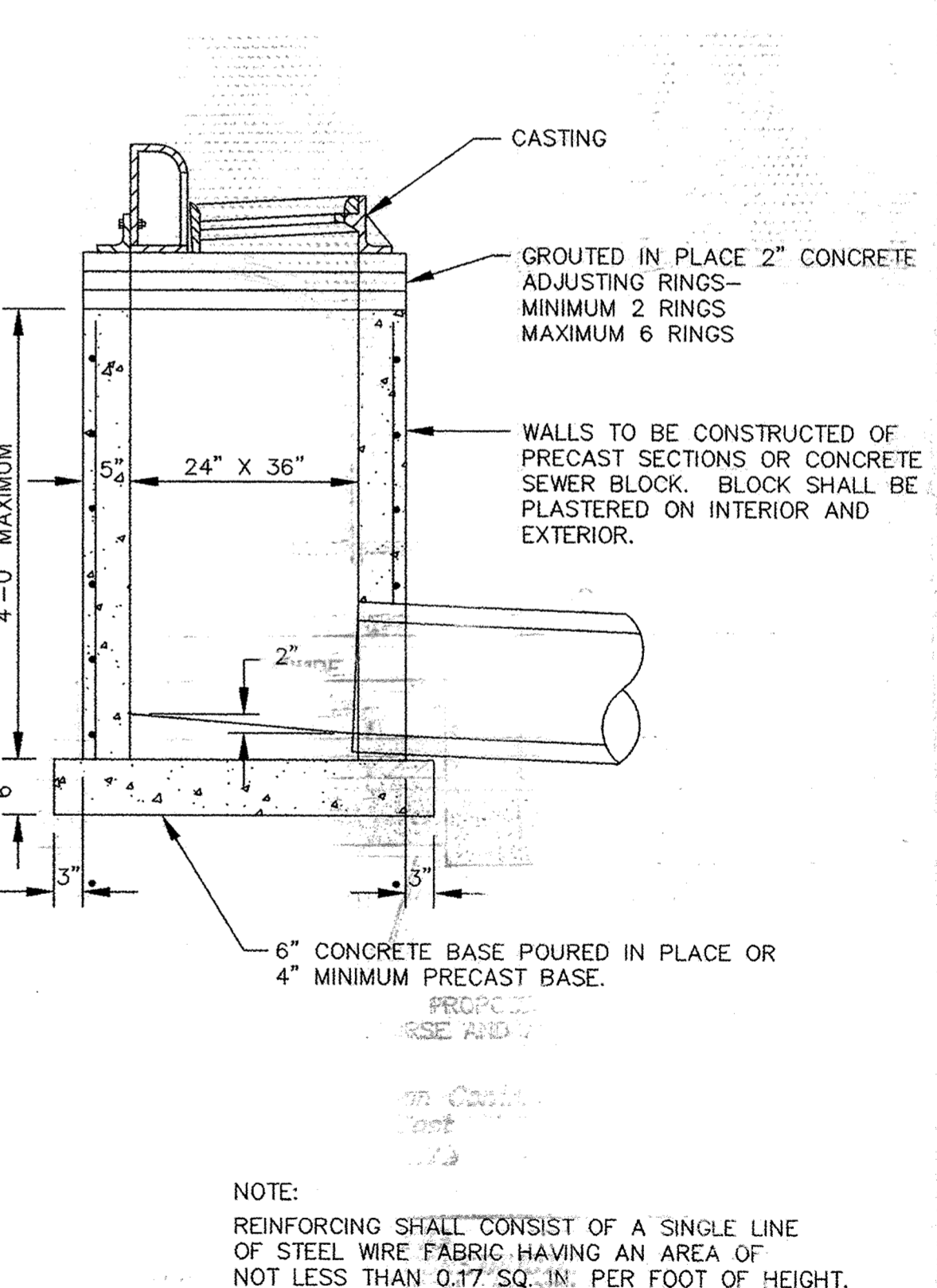
GRATE CASTING



STANDARD INLET CASTING



STANDARD INLET CASTING



SHALLOW CATCH BASIN

DESIGNED BY: _____ DRAWN BY: _____
 APPROVED: _____ JOB NUMBER: _____
 CAD DATE: April 14, 1999 11:14:59 a.m.
 CAD FILE: 230000m\ER-SM.DWG

I HEREBY CERTIFY THAT THIS PLAN, SPECIFICATION, REPORT WAS PREPARED BY ME OR UNDER MY DIRECT SUPERVISION AND THAT I AM A DULY REGISTERED PROFESSIONAL ENGINEER UNDER THE LAWS OF THE STATE OF MINNESOTA.

1326 ENERGY PARK DRIVE
 ST. PAUL, MINNESOTA 55108
 (612) 644-4389
Howard R. Green Company
 CONSULTING ENGINEERS

CITY OF ELK RIVER
 TROTT BROOK FARMS 10TH ADDITION
 STORM SEWER DETAILS

SHEET NO.
11
 OF
12

P:\20041126\dwg\Record\20041126DE@3.dwg 10/12/2006 10:11:47 AM CST