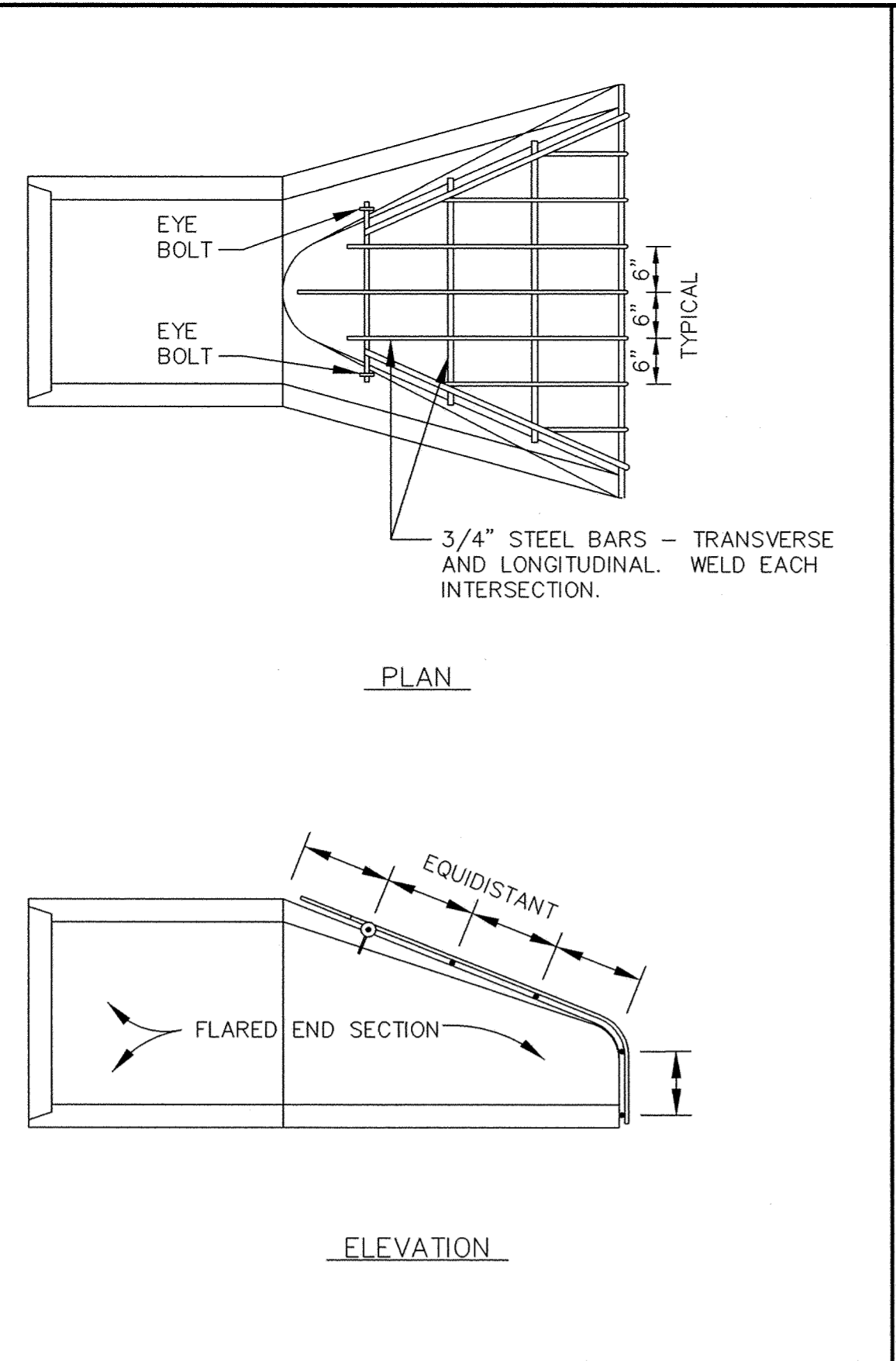
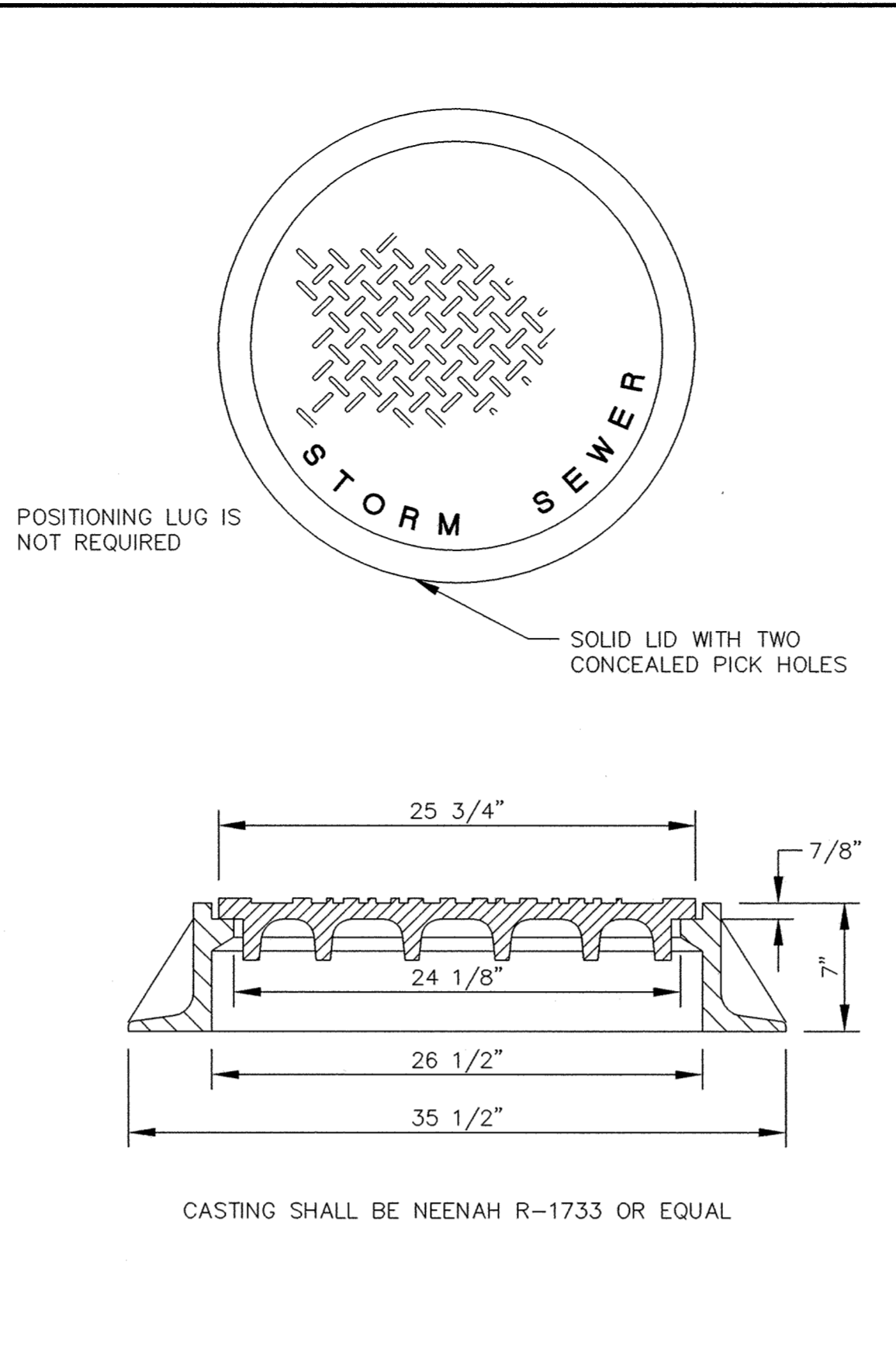


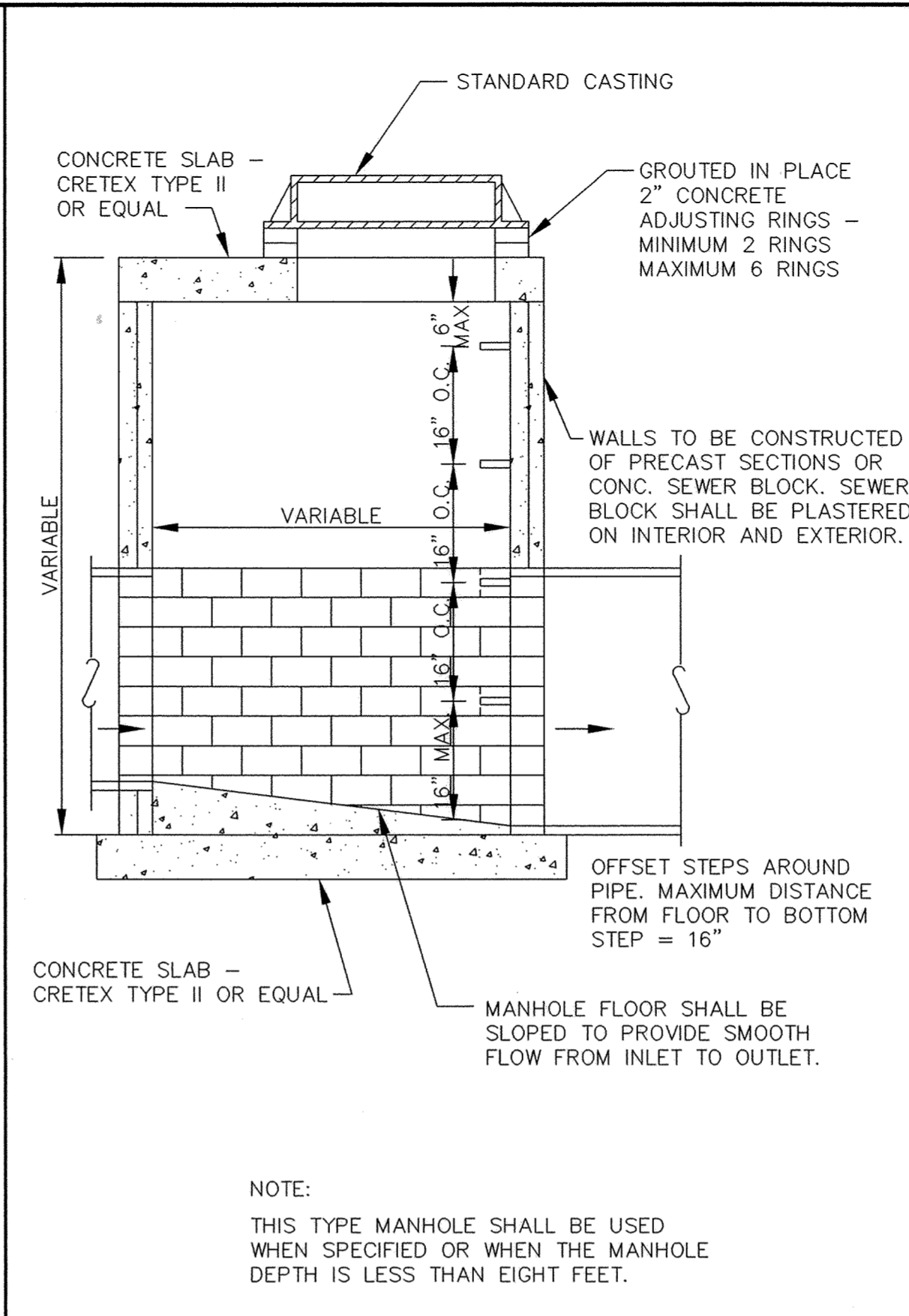
RIP-RAP INSTALLATION



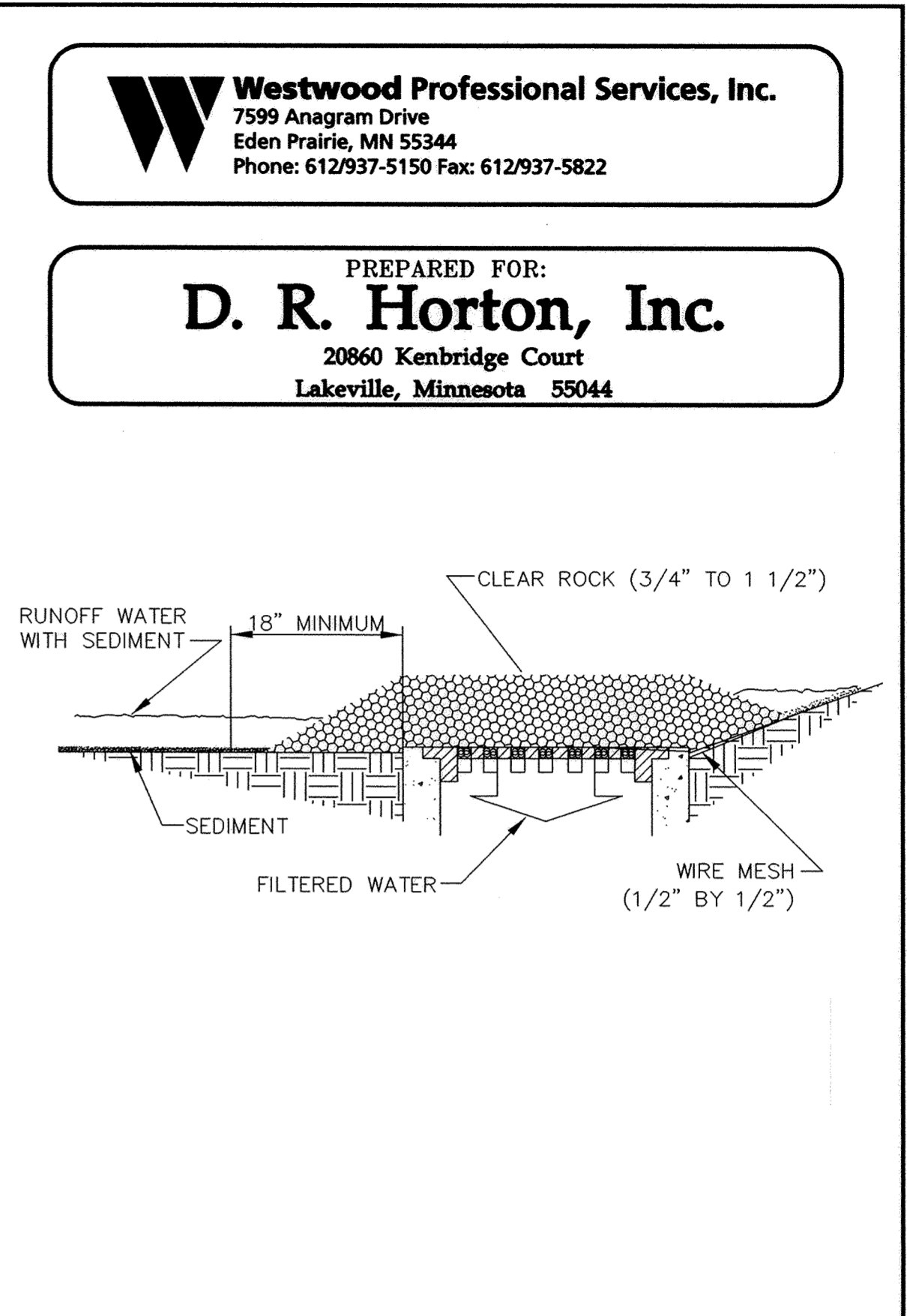
TRASH GUARD



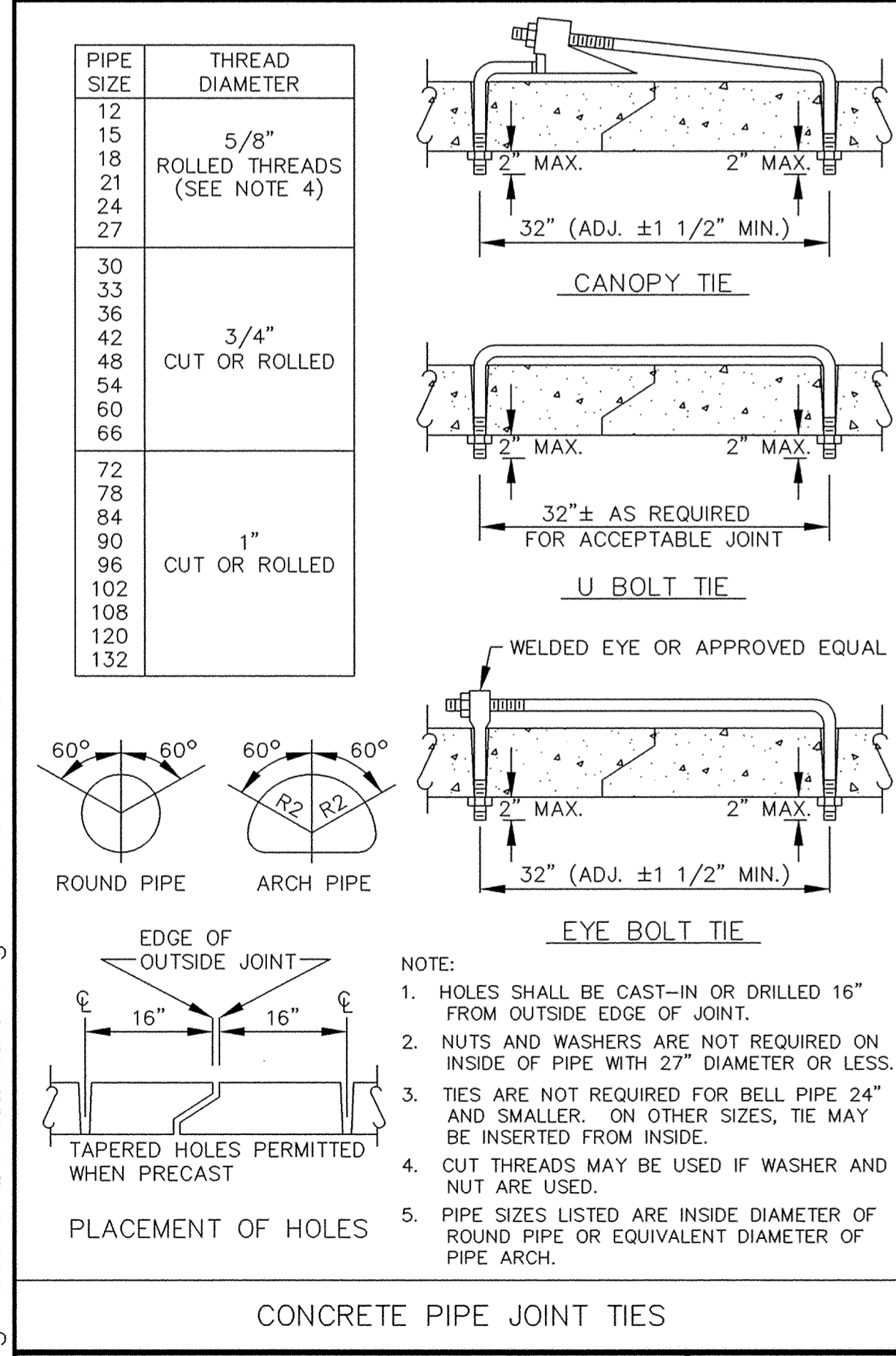
STANDARD MANHOLE CASTING



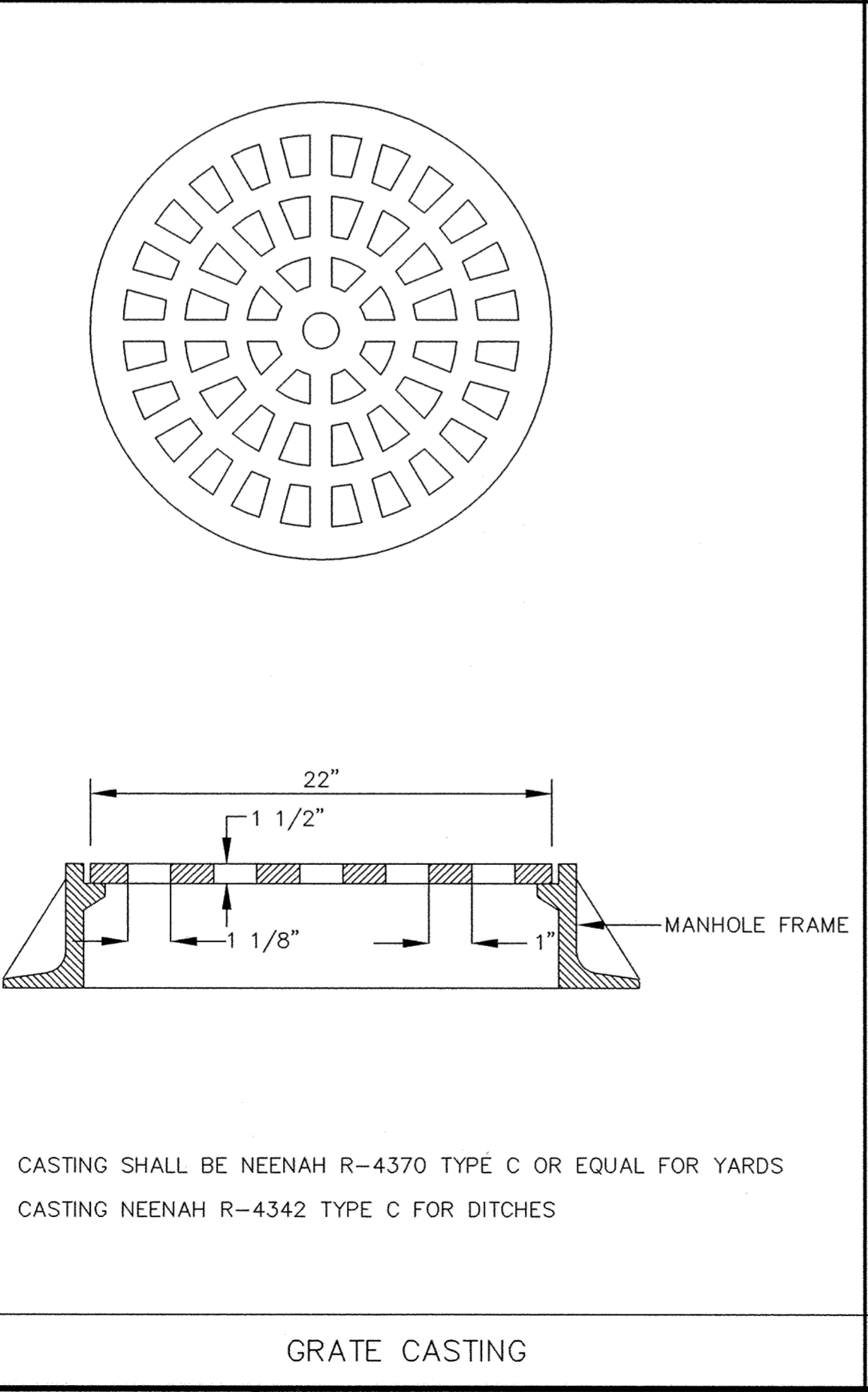
SLAB TOP MANHOLE



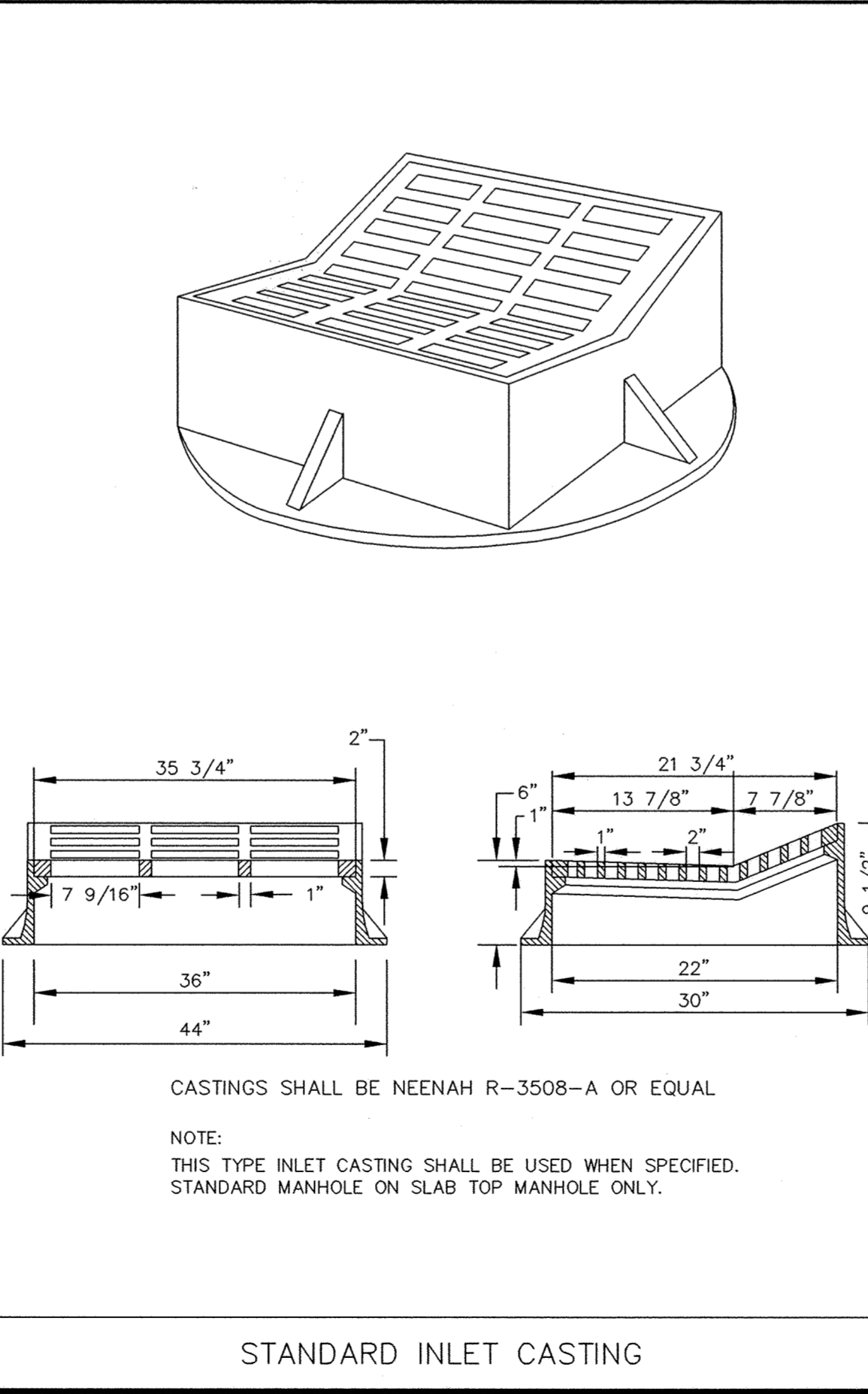
CATCH BASIN SEDIMENTATION BARRIER



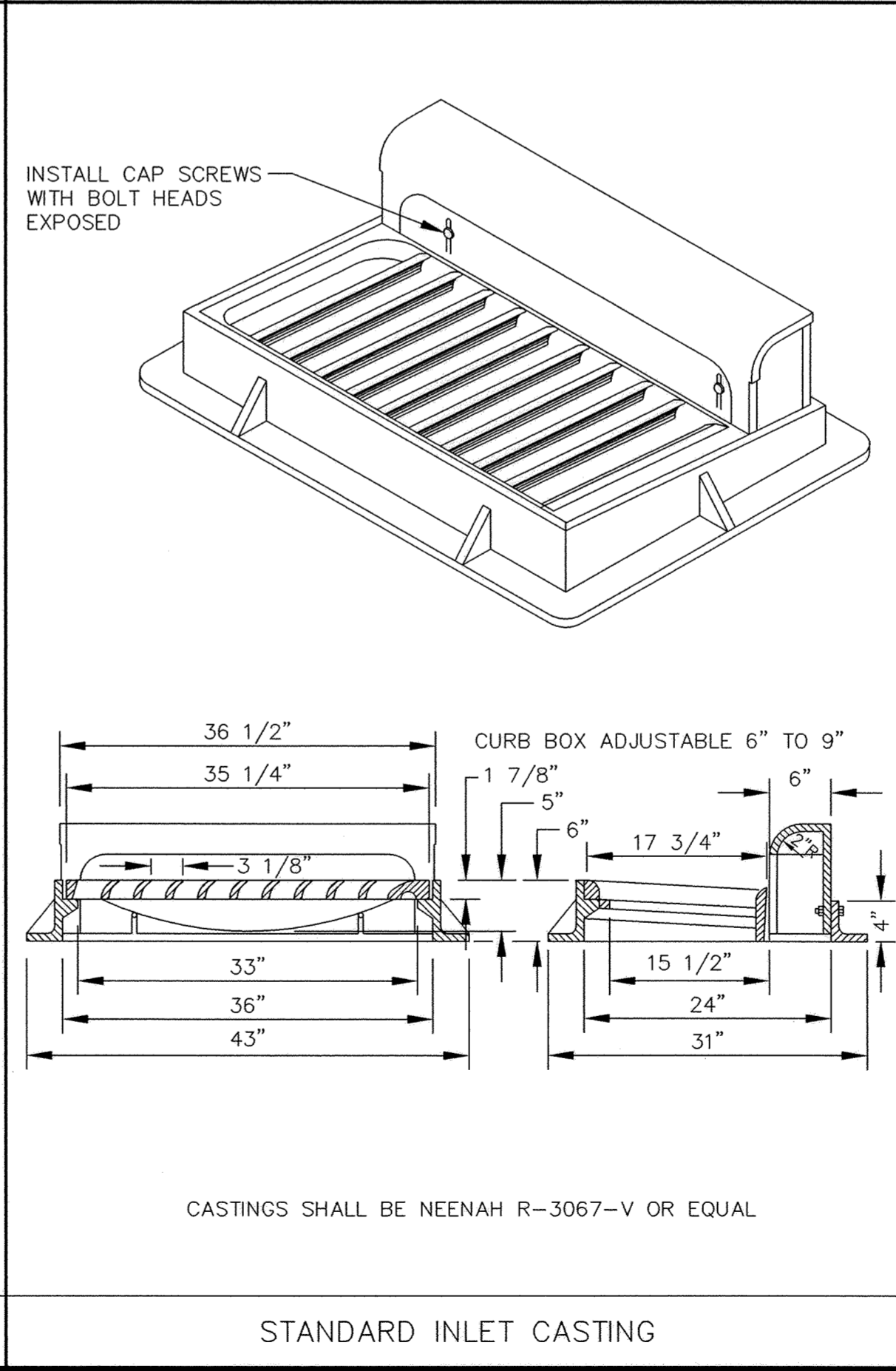
CONCRETE PIPE JOINT TIES



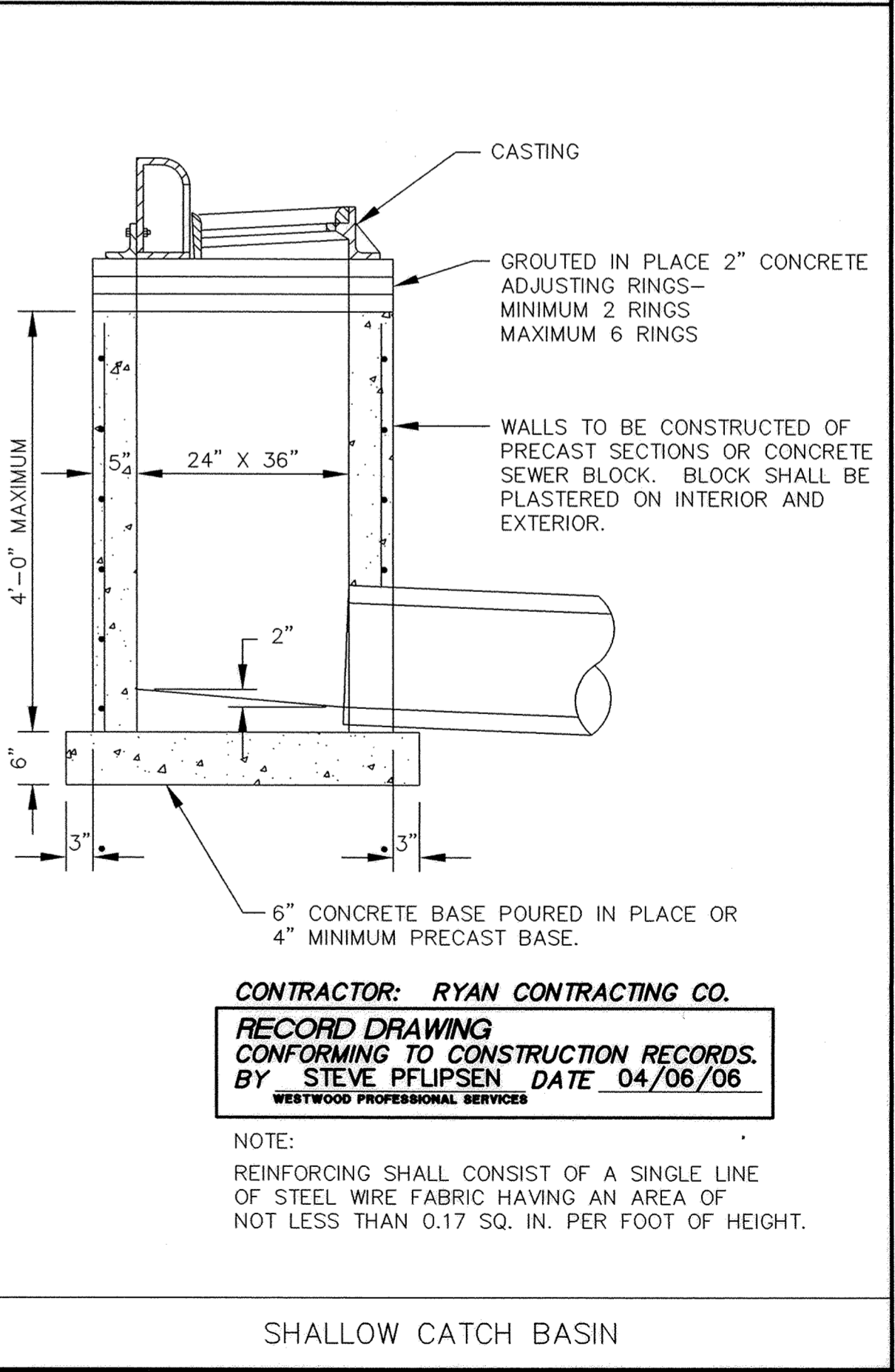
GRATE CASTING



STANDARD INLET CASTING



STANDARD INLET CASTING



SHALLOW CATCH BASIN

DESIGNED BY: _____ DRAWN BY: _____
 APPROVED: _____ JOB NUMBER _____
 CAD DATE: April 14, 1999 11:14:59 a.m.
 CAD FILE: 230000m\ER-SM.DWG

I HEREBY CERTIFY THAT THIS PLAN, SPECIFICATION, OR REPORT WAS PREPARED BY ME OR UNDER MY DIRECT SUPERVISION AND THAT I AM A DULY REGISTERED PROFESSIONAL ENGINEER UNDER THE LAWS OF THE STATE OF MINNESOTA.
 DATE _____ REG. NO. _____

NO.	DATE	BY	REVISION DESCRIPTION
1	12/20/05	GKB	RECORD DRAWING

1326 ENERGY PARK DRIVE
 ST. PAUL, MINNESOTA 55108
 (612) 644-4389
Howard R. Green Company
 CONSULTING ENGINEERS

CITY OF ELK RIVER
 TROTT BROOK FARMS 9TH ADDITION
 STORM SEWER DETAILS

SHEET NO.
11
 OF
12

P:\20031125\dwg\RECORD\20031125DE@3.dwg 4/5/2006 10:28:00 AM CST

DRAWING NUMBER
 TROT19.05
 DRAWING NUMBER
 TROT19.05
 DRAWING NUMBER
 TROT19.05
 WESTWOOD PROFESSIONAL SERVICES
 7599 Anagram Drive
 Eden Prairie, MN 55344
 Phone: 612/937-5150 Fax: 612/937-5822
 PREPARED FOR:
D. R. Horton, Inc.
 20860 Kenbridge Court
 Lakeville, Minnesota 55044
 CONTRACTOR: RYAN CONTRACTING CO.
 RECORD DRAWING
 CONFORMING TO CONSTRUCTION RECORDS.
 BY STEVE PFLIPSEN DATE 04/06/06
 WESTWOOD PROFESSIONAL SERVICES
 REINFORCING SHALL CONSIST OF A SINGLE LINE OF STEEL WIRE FABRIC HAVING AN AREA OF NOT LESS THAN 0.17 SQ. IN. PER FOOT OF HEIGHT.
 E-3 20031125DE@3.DWG