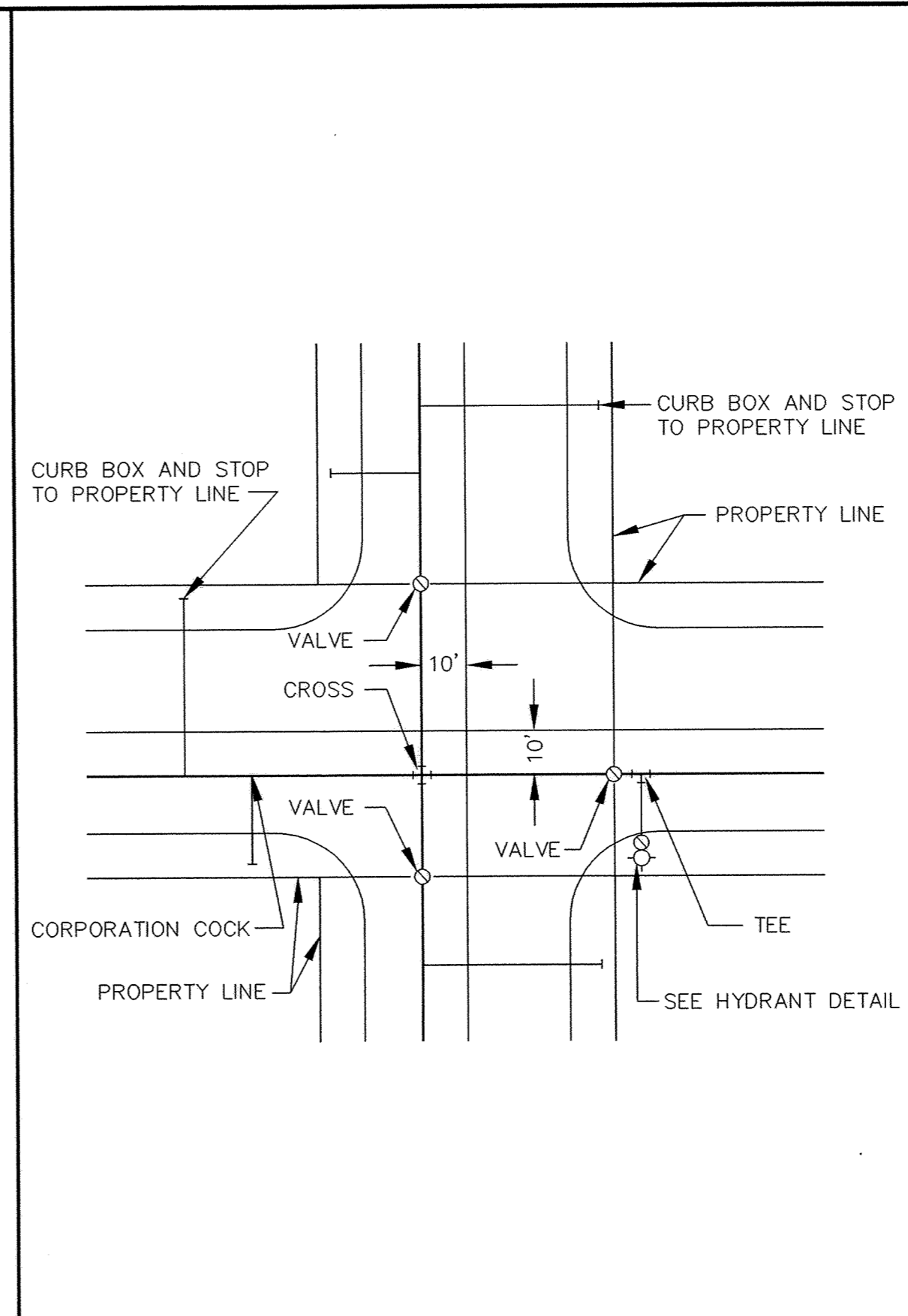
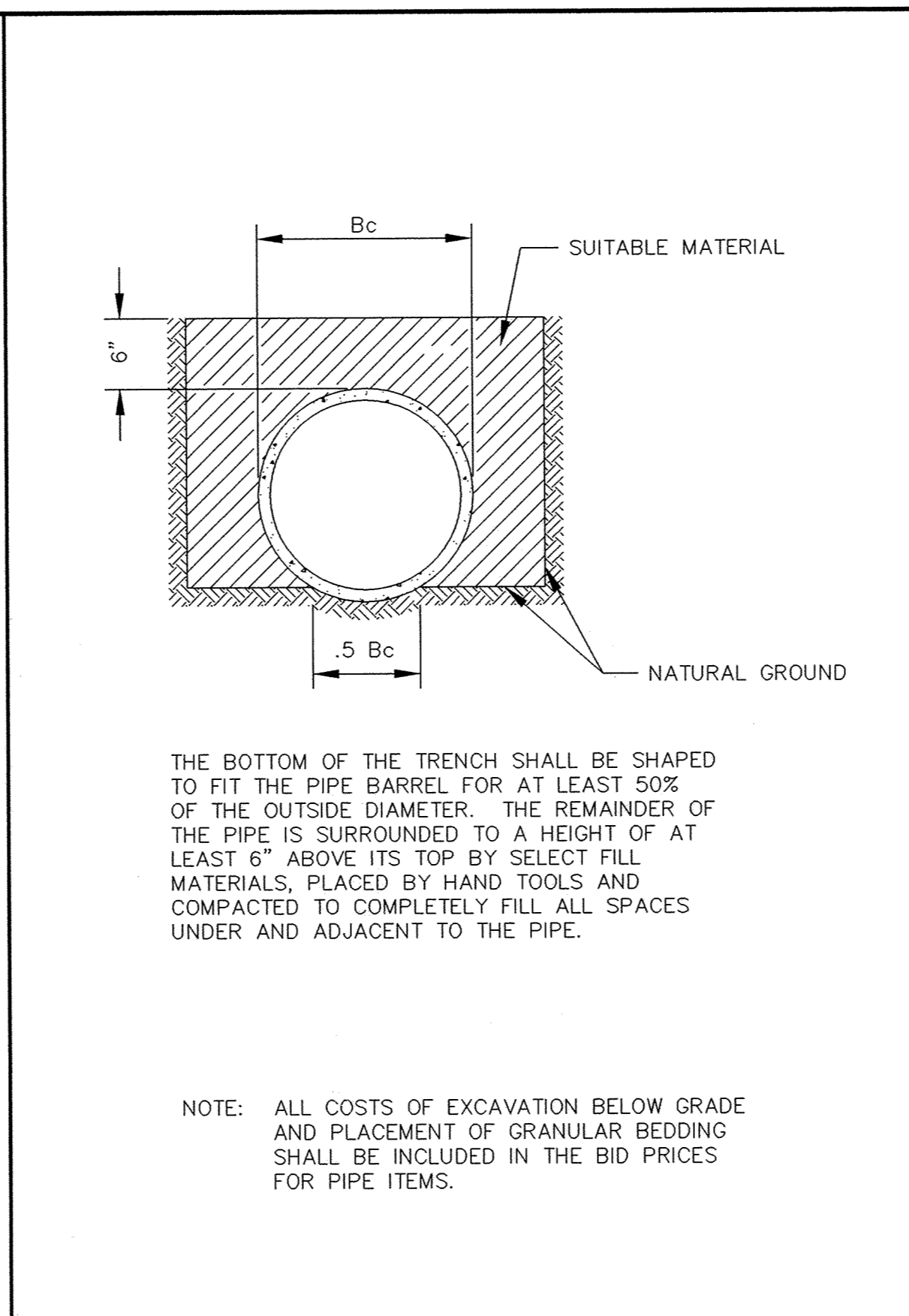


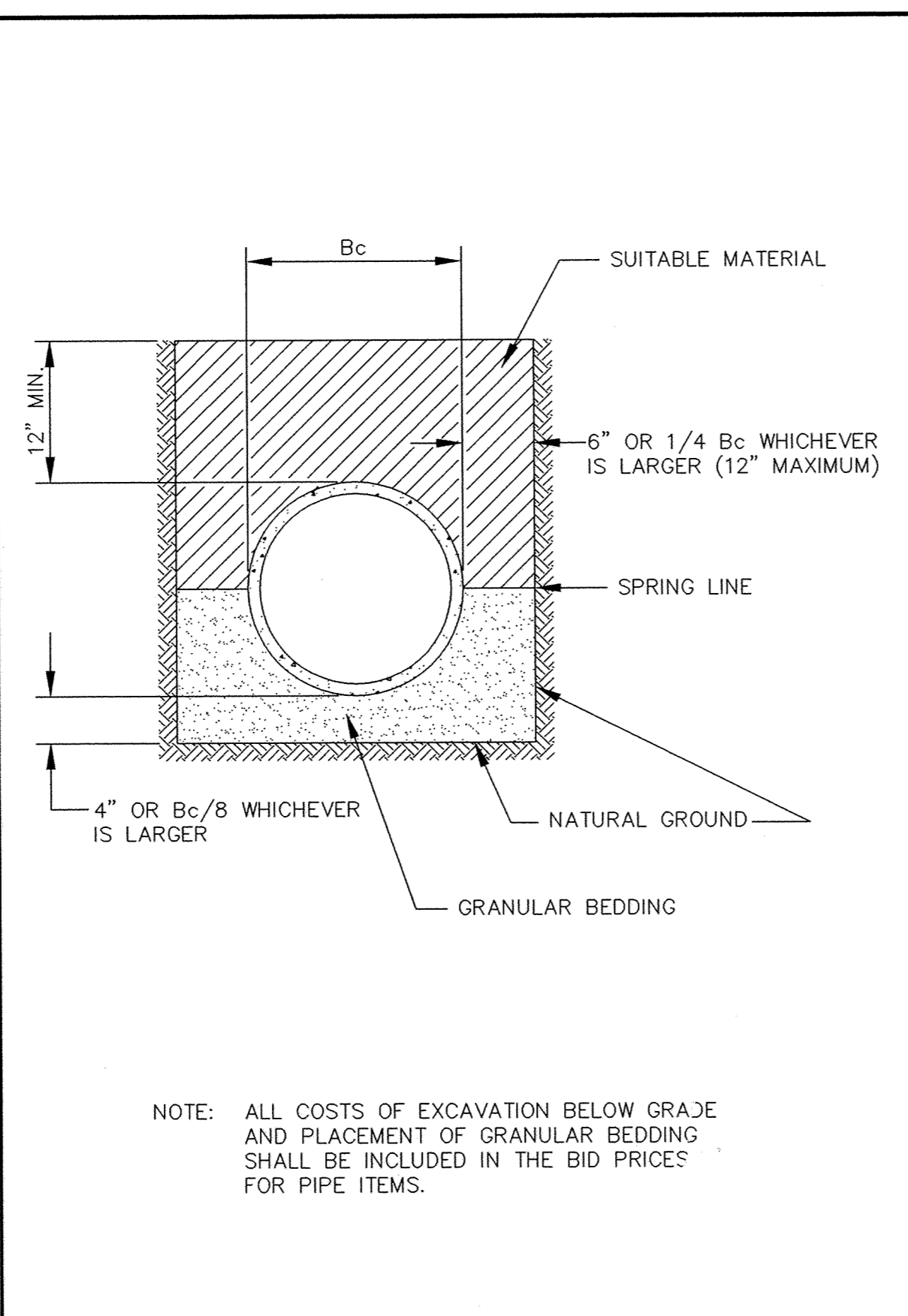
PACER HYDRANT DETAIL



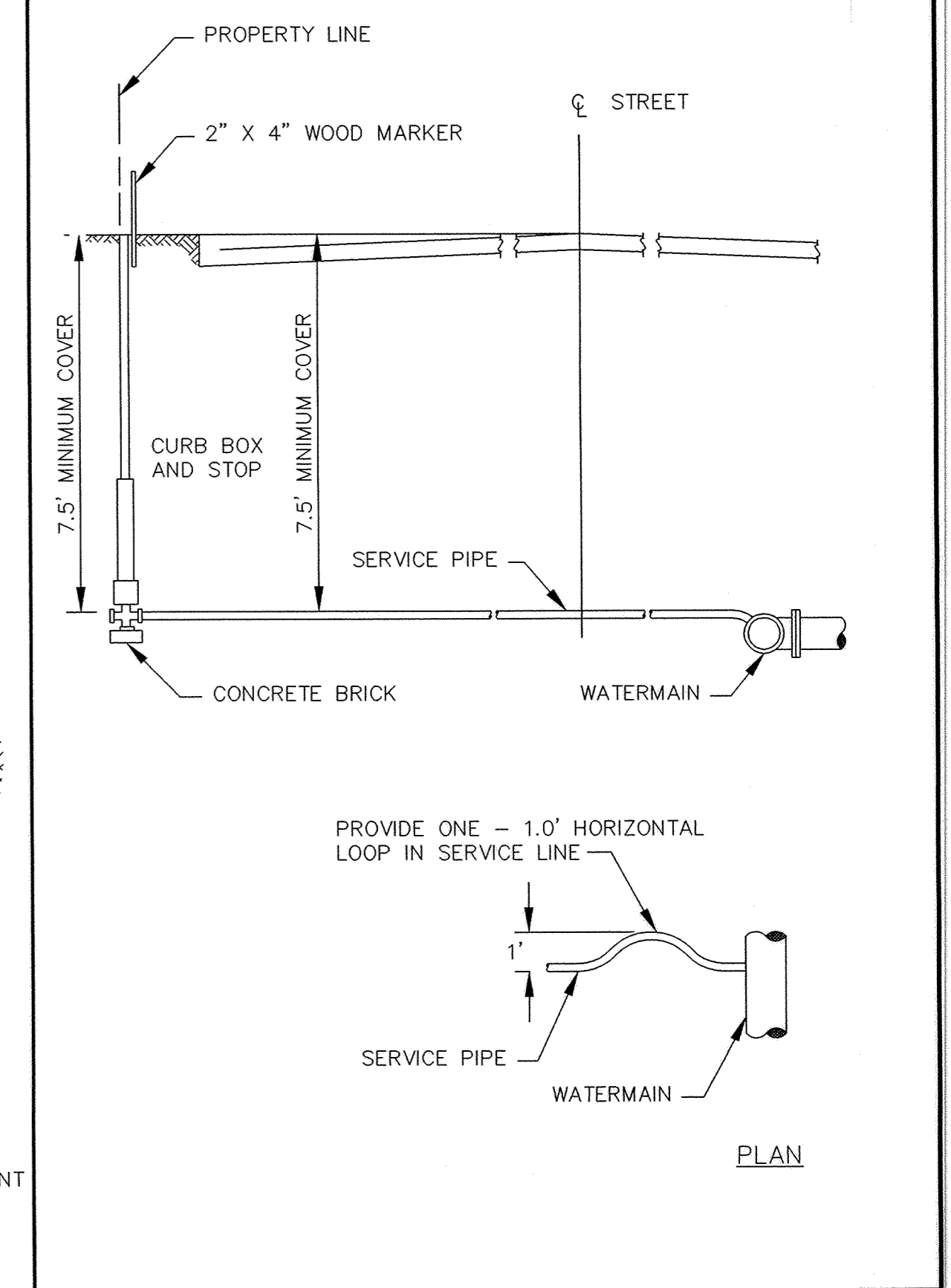
TYPICAL WATER LAYOUT



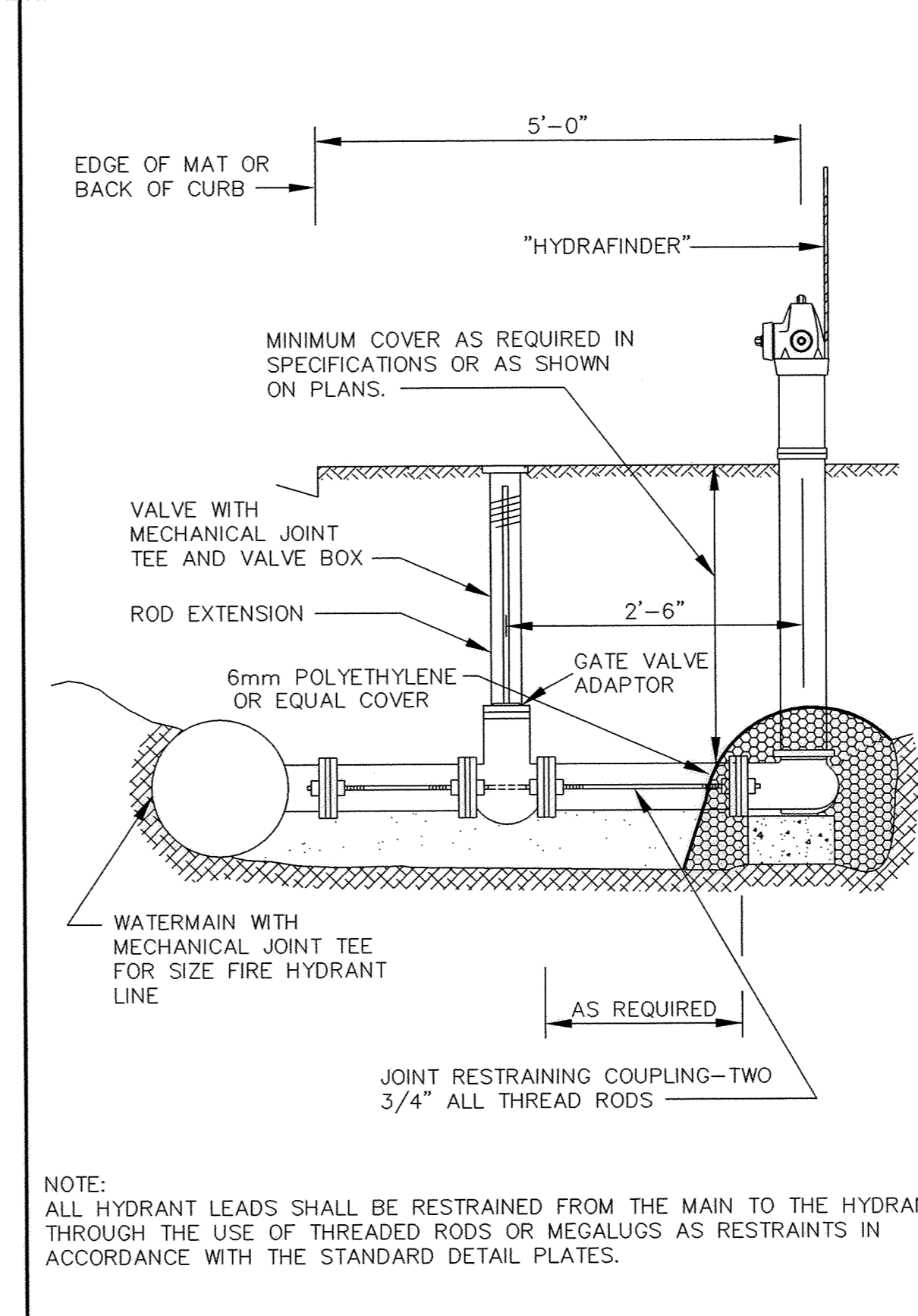
CLASS C PIPE BEDDING



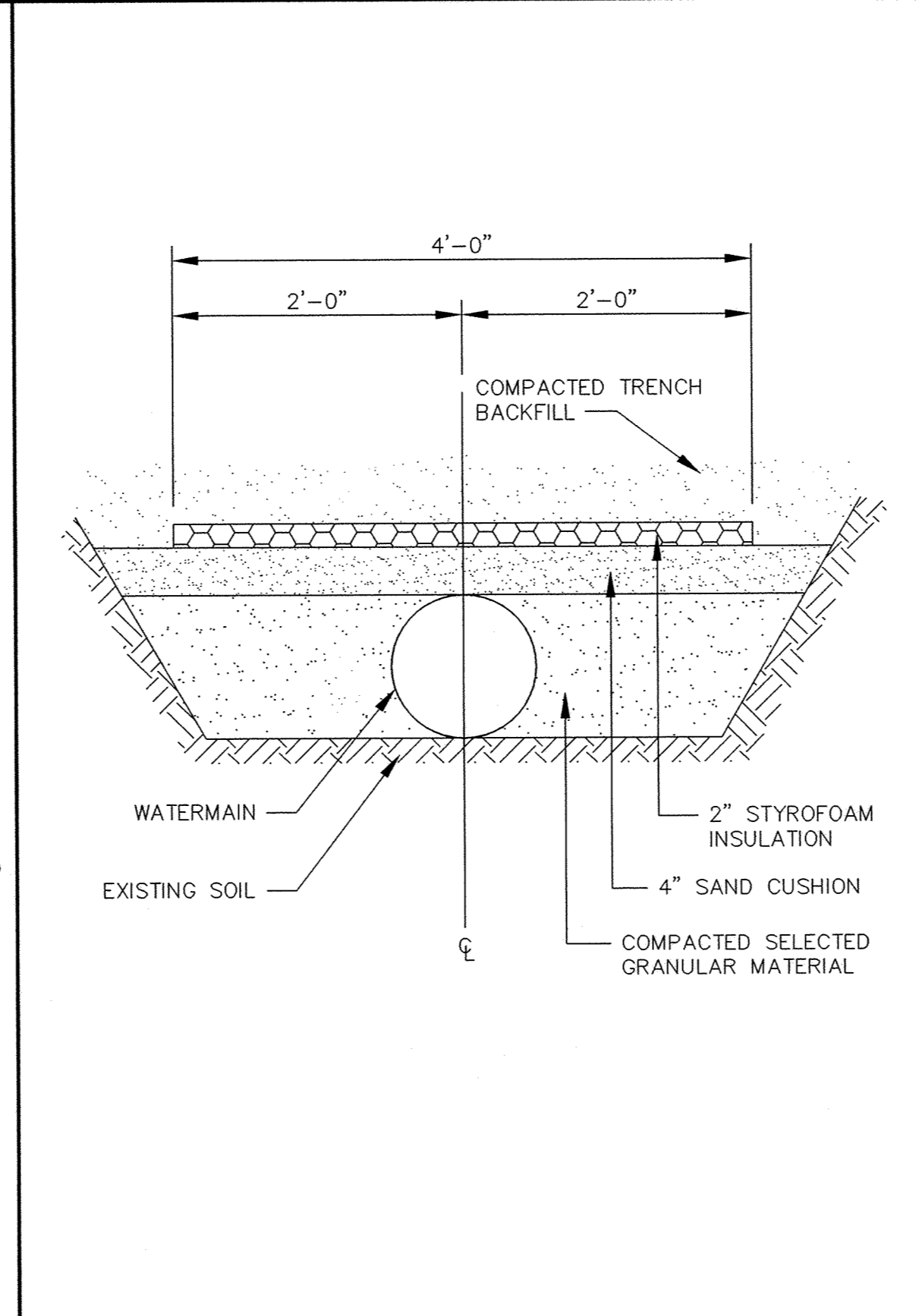
CLASS B PIPE BEDDING



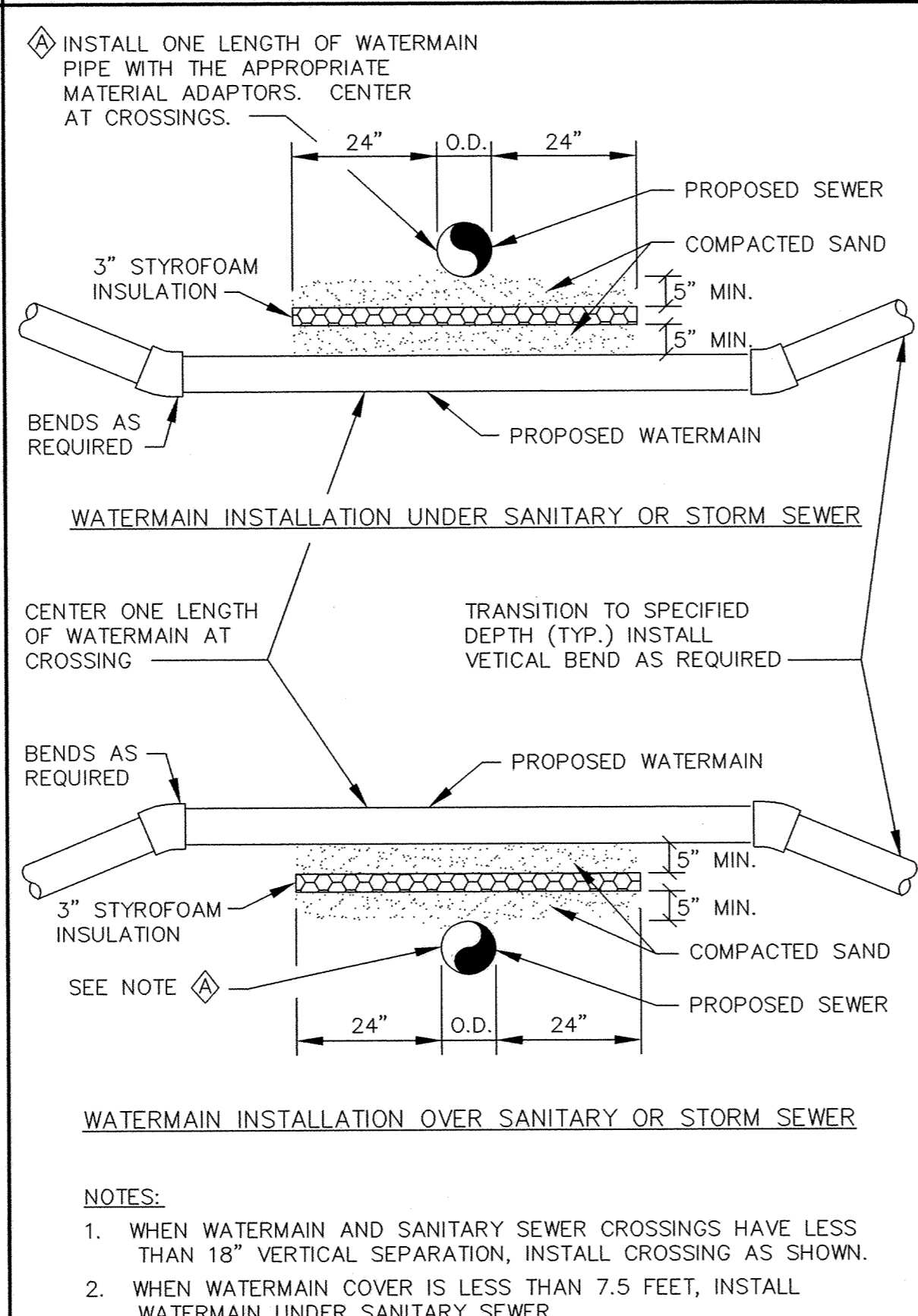
TYPICAL SERVICE DETAIL



RODDING DETAIL



PIPE INSULATION DETAIL



WATERMAIN CROSSING

CONTRACTOR: RYAN CONTRACTING CO.
RECORD DRAWING
CONFORMING TO CONSTRUCTION RECORDS.
BY STEVE PFLIPSEN DATE 04/06/06
WESTWOOD PROFESSIONAL SERVICES

Westwood Professional Services, Inc.
7599 Anagram Drive
Eden Prairie, MN 55344
Phone: 952/937-5150 Fax: 952/937-5822

PREPARED FOR:
D. R. Horton, Inc.
20860 Kenbridge Court
Lakeville, Minnesota 55044

NO.	DATE	BY	REVISION DESCRIPTION
1	12/20/05	GKB	RECORD DRAWING

1326 ENERGY PARK DRIVE
ST. PAUL, MINNESOTA 55108
(612) 644-4389
Howard R. Green Company
CONSULTING ENGINEERS

CITY OF ELK RIVER
TROTT BROOK FARMS 9TH ADDITION
WATER MAIN DETAILS

SHEET NO.
10
OF
12

P:\20031125\dwg\RECORD\20031125DE02.dwg 4/5/2006 10:25:23 AM CST