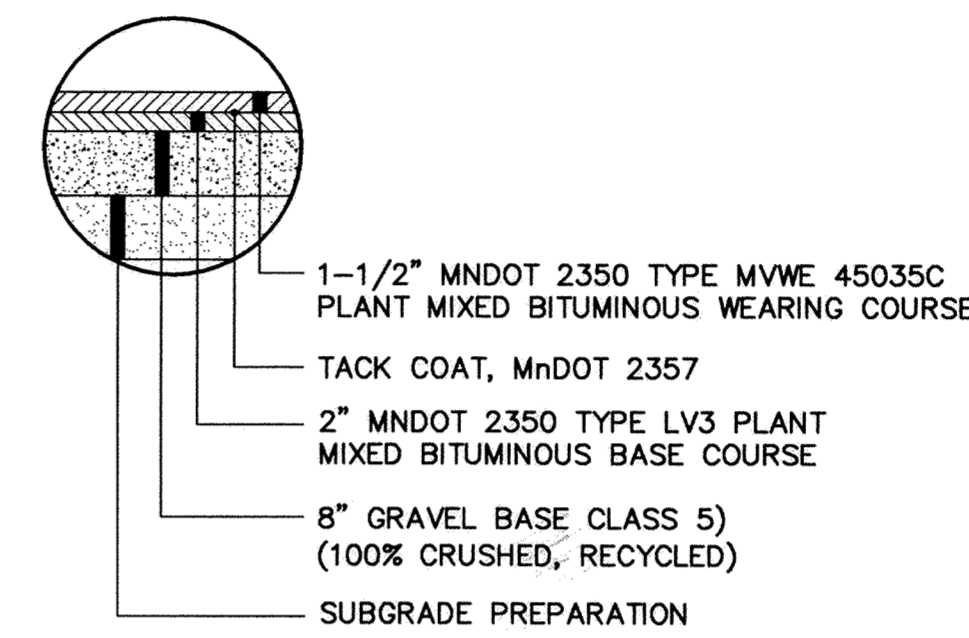


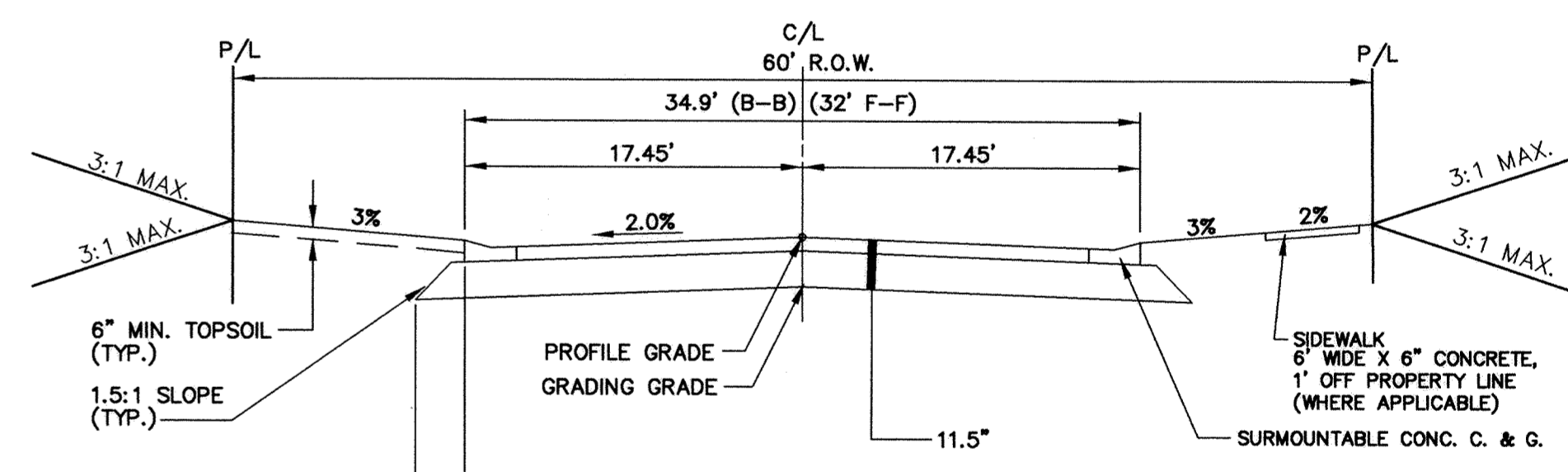


Call 48 Hours before digging:
GOPHER STATE ONE CALL
 Twin City Area 651-454-0002
 Mn. Toll Free 1-800-252-1166

STORM SEWER CASTING SCHEDULE			
STRUCTURE		CASTING TYPE	
NUMBER	TYPE	DIA.	
90	CBMH	48"	R-3067
91	CBMH	48"	R-3067
92	CBMH	48"	R-3067
93	CBMH	48"	R-3067
93A	CBMH	48"	R-3067
93B	CB	2'x3'	R-3067
94	CB	2'x3'	R-3067
95	FES	15"	
96	CBMH	48"	R-3067
98	CB	2'x3'	R-3067
99	CBMH	48"	R-3067
100	STMH	48"	R-4342
101	CB	27"	R-3067
120	CB	27"	R-3067

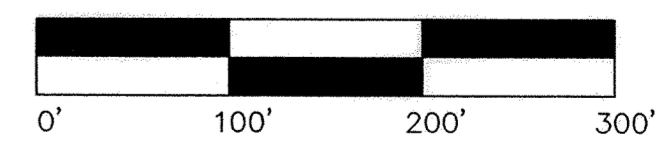


TYPICAL STREET SECTION
NOT TO SCALE



32' F-F TYPICAL STREET SECTION
NO SCALE

CONTRACTOR: RYAN CONTRACTING CO.
 RECORD DRAWING
 CONFORMING TO CONSTRUCTION RECORDS.
 BY STEVE PFLIPSEN DATE 04/06/06
 WESTWOOD PROFESSIONAL SERVICES



Latest Revision Date: 06/16/04
 E-3 200311250A@01.DWG

Date: 12/05/03 Sheet: 2 OF 12

LEGEND

FUTURE	EXISTING	PROPOSED
Sanitary Sewer	Sanitary Sewer	Sanitary Sewer
Water	Water	Water
Hyd. w/Valve	Hyd. w/Valve	Hyd. w/Valve
Storm Sewer	Storm Sewer	Storm Sewer

Westwood
 Westwood Professional Services, Inc.
 7699 Anagram Drive
 Eden Prairie, MN 55344
 PHONE 952-937-5150
 FAX 952-937-8822
 TOLL FREE 1-888-937-5150
 www.westwoodps.com

I hereby certify that this plan was prepared by me or under my direct supervision and that I am a duly licensed PROFESSIONAL ENGINEER under the laws of the State of Minnesota.

Jason M. McCarty
 Date: 04/06/06 License No. 41955

Revisions:

02/05/04 PER CITY REVIEW (CLJ)	Designed: JMM
04/27/04 WATER MAIN CHANGE (HW)	Checked: JMM
06/16/04 STORM SEWER REVISION (SHS)	Drawn: NCP
04/06/06 RECORD DRAWING (GMB)	Record Drawing by/date:

Prepared for:

D. R. Horton, Inc.
 20860 Kenbridge Court
 Lakeville, Minnesota 55044

**Trott Brook Farms
 9th Addition**
 Elk River, Minnesota

Overall Plan

DRAWING NUMBER

DRAWING NUMBER

DRAWING NUMBER

DRAWING NUMBER
 TROT79.05
 2