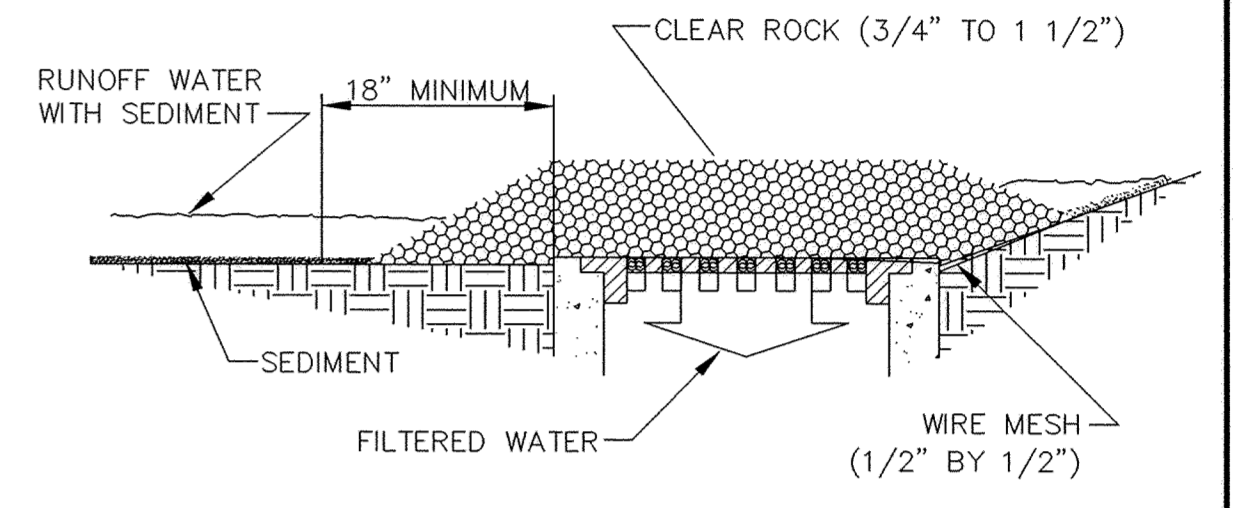
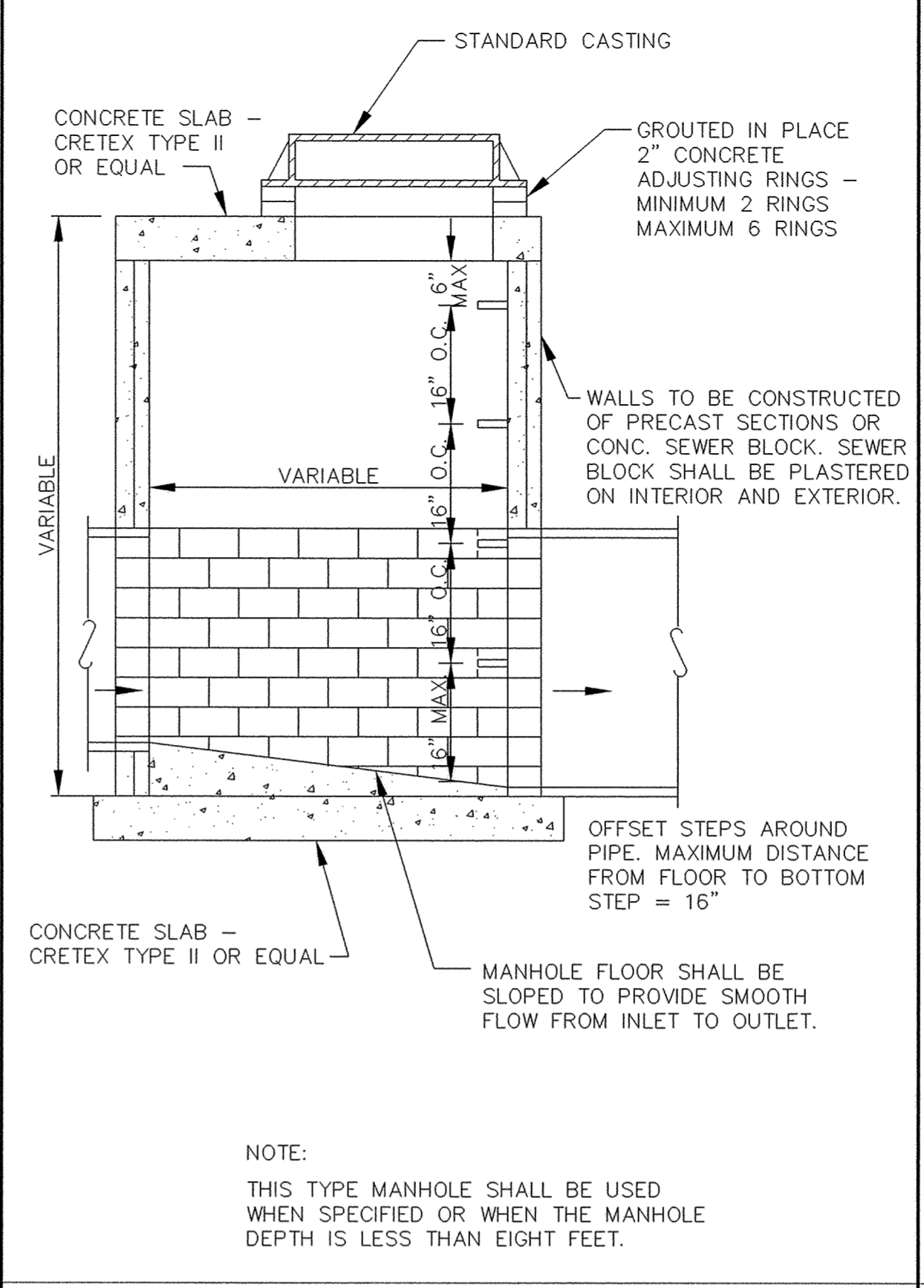


Westwood Professional Services, Inc.
7599 Anagram Drive
Eden Prairie, MN 55344
Phone: 612/937-5150 Fax: 612/937-5822

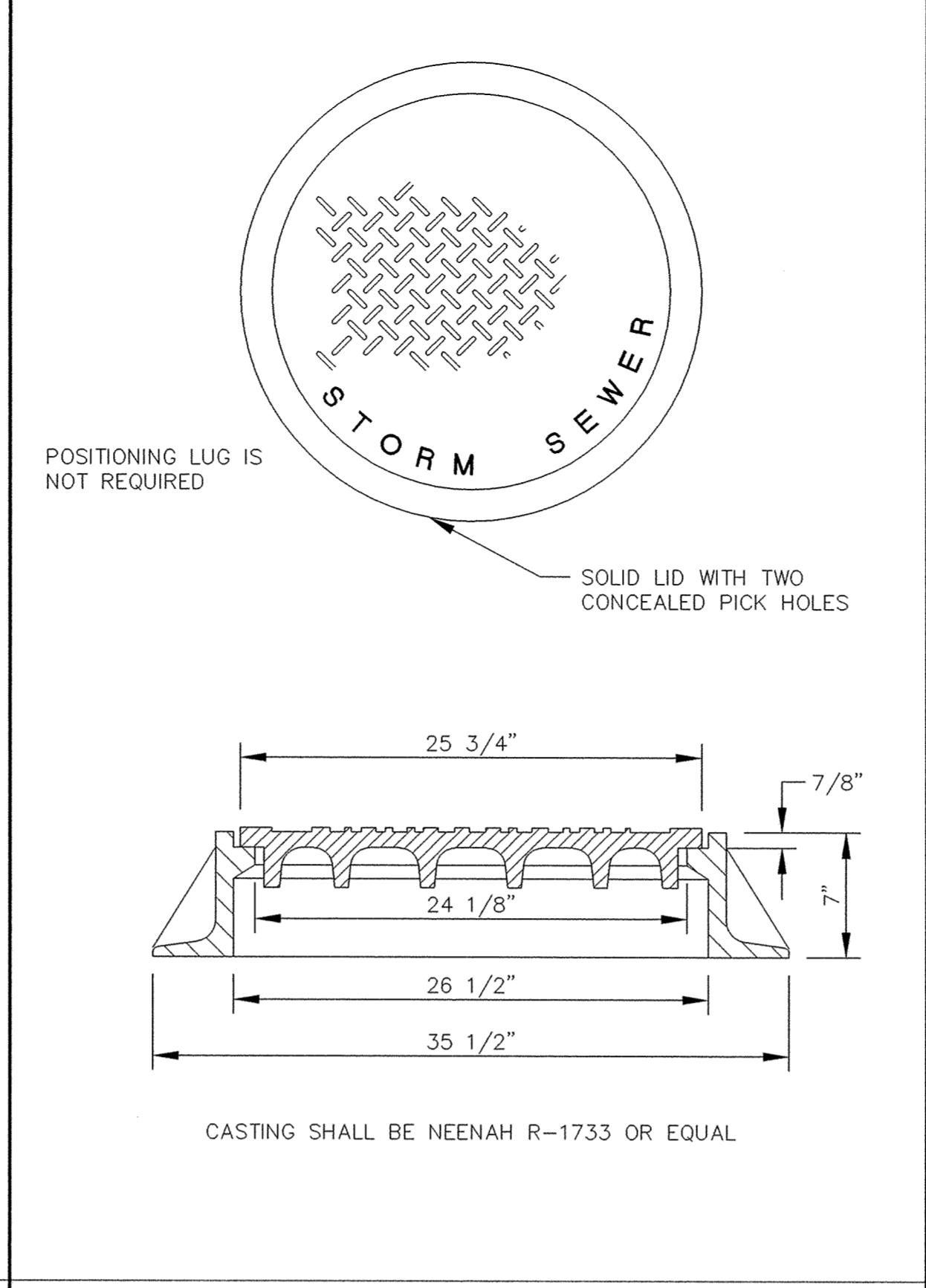
PREPARED FOR:
D. R. Horton, Inc.
20860 Kenbridge Court
Lakeville, Minnesota 55044



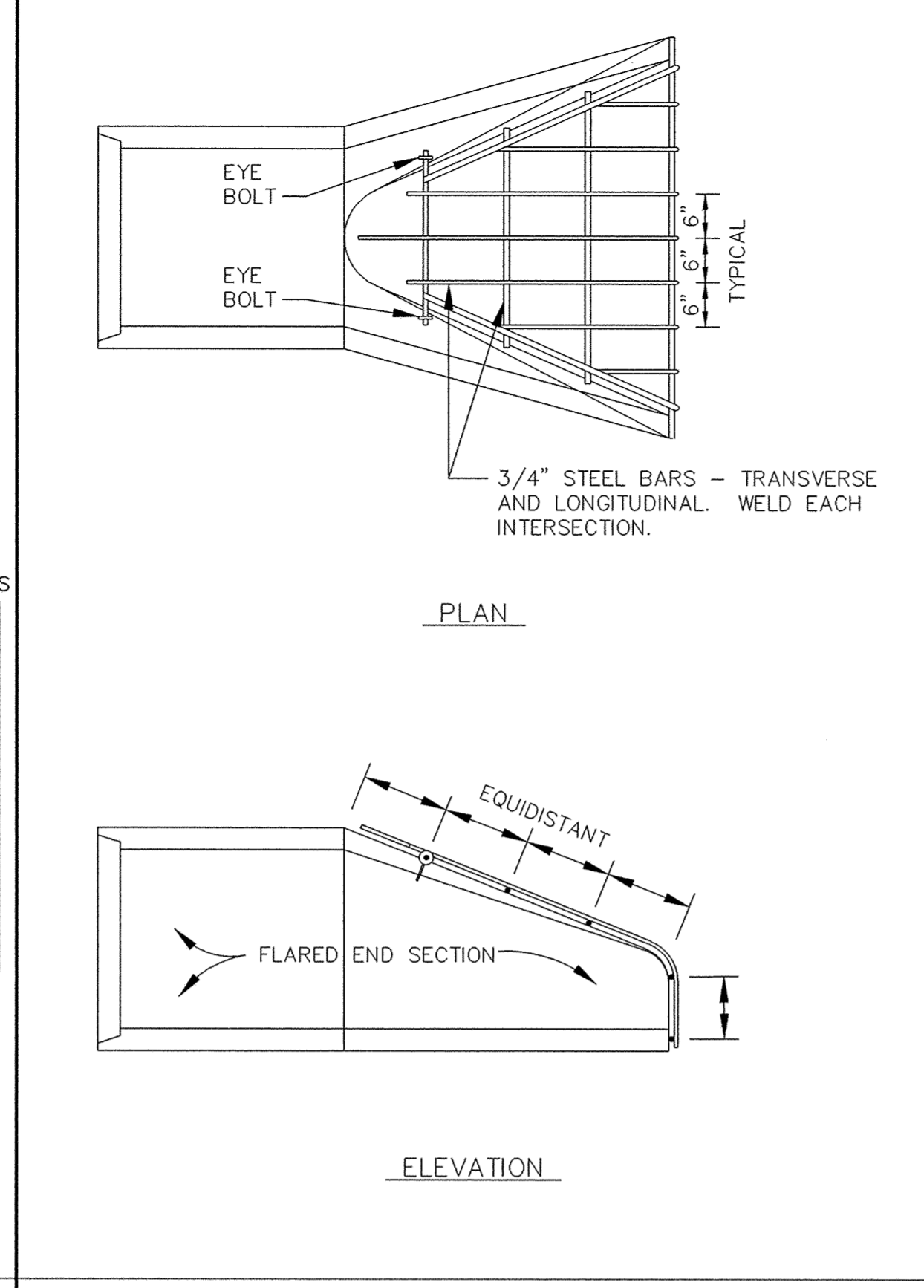
CATCH BASIN SEDIMENTATION BARRIER



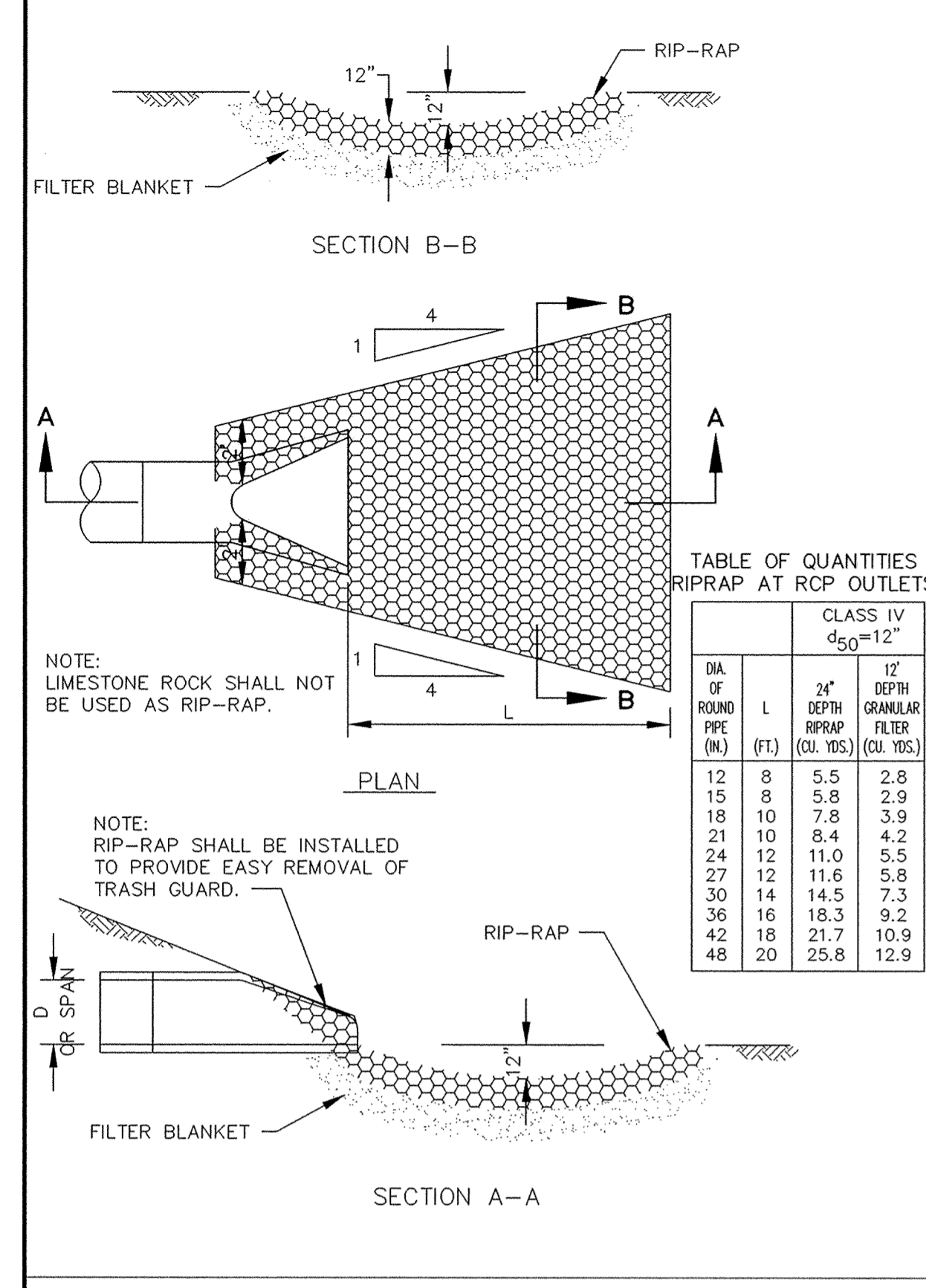
SLAB TOP MANHOLE



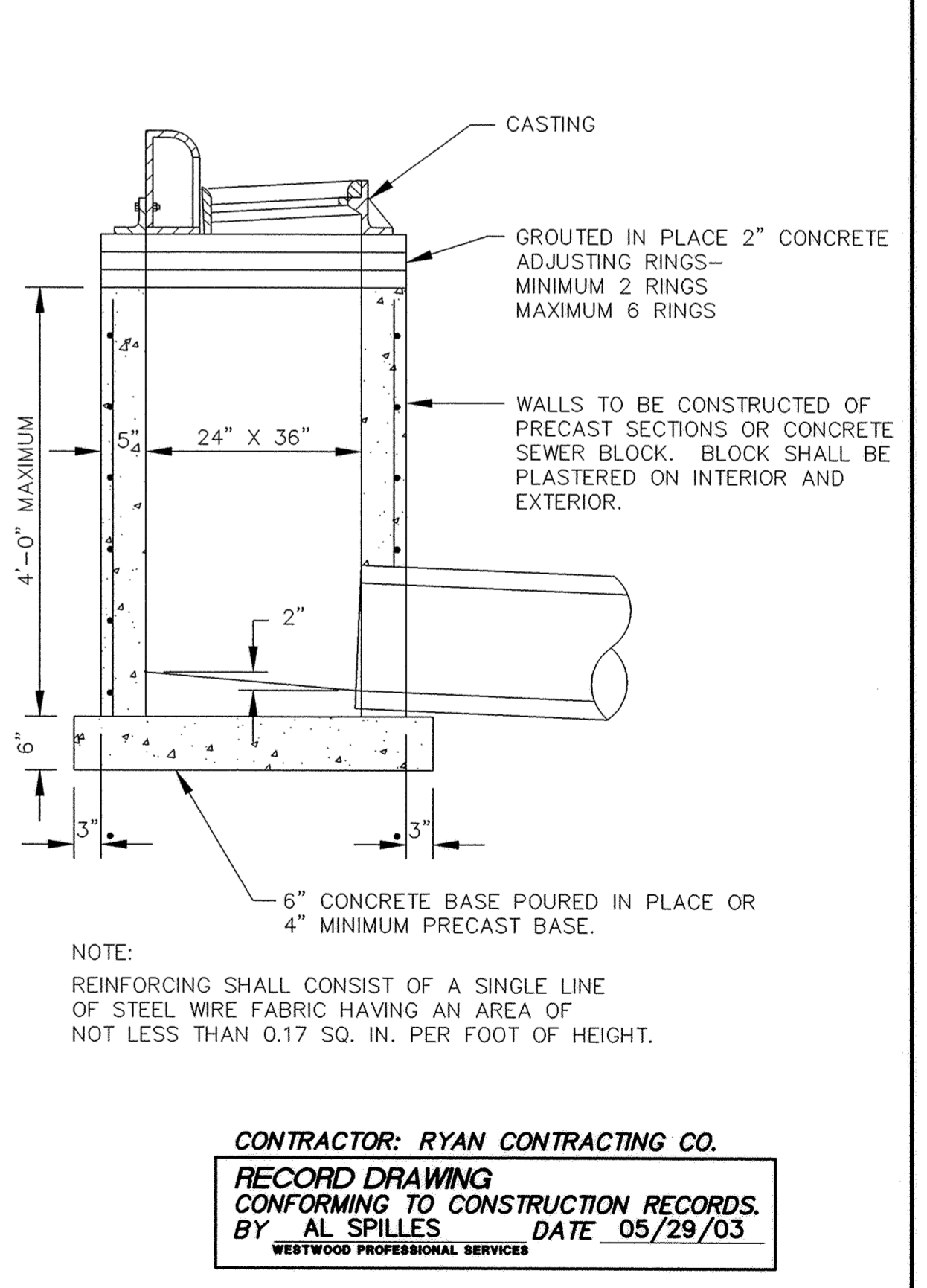
STANDARD MANHOLE CASTING



TRASH GUARD

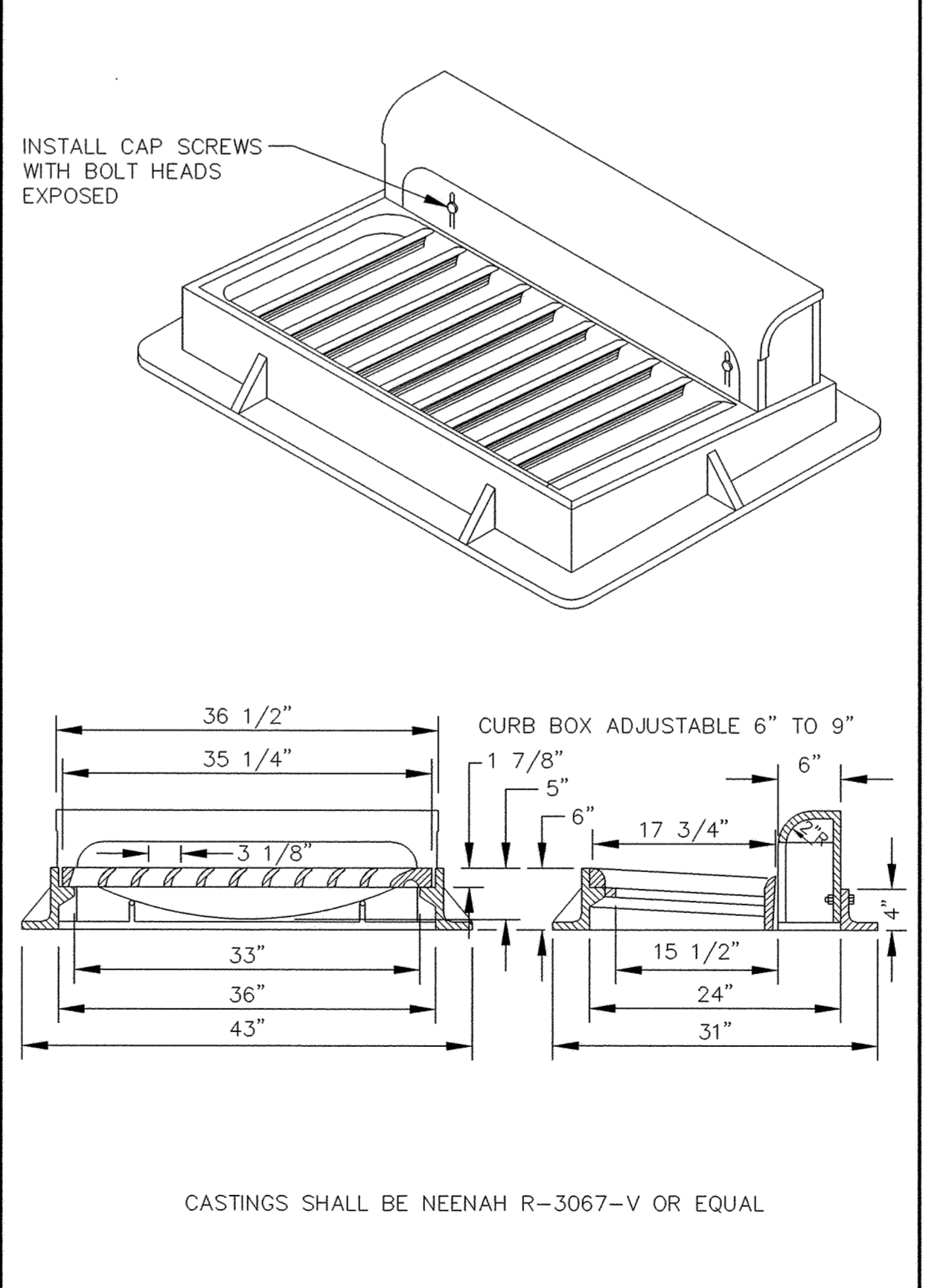


RIP-RAP INSTALLATION

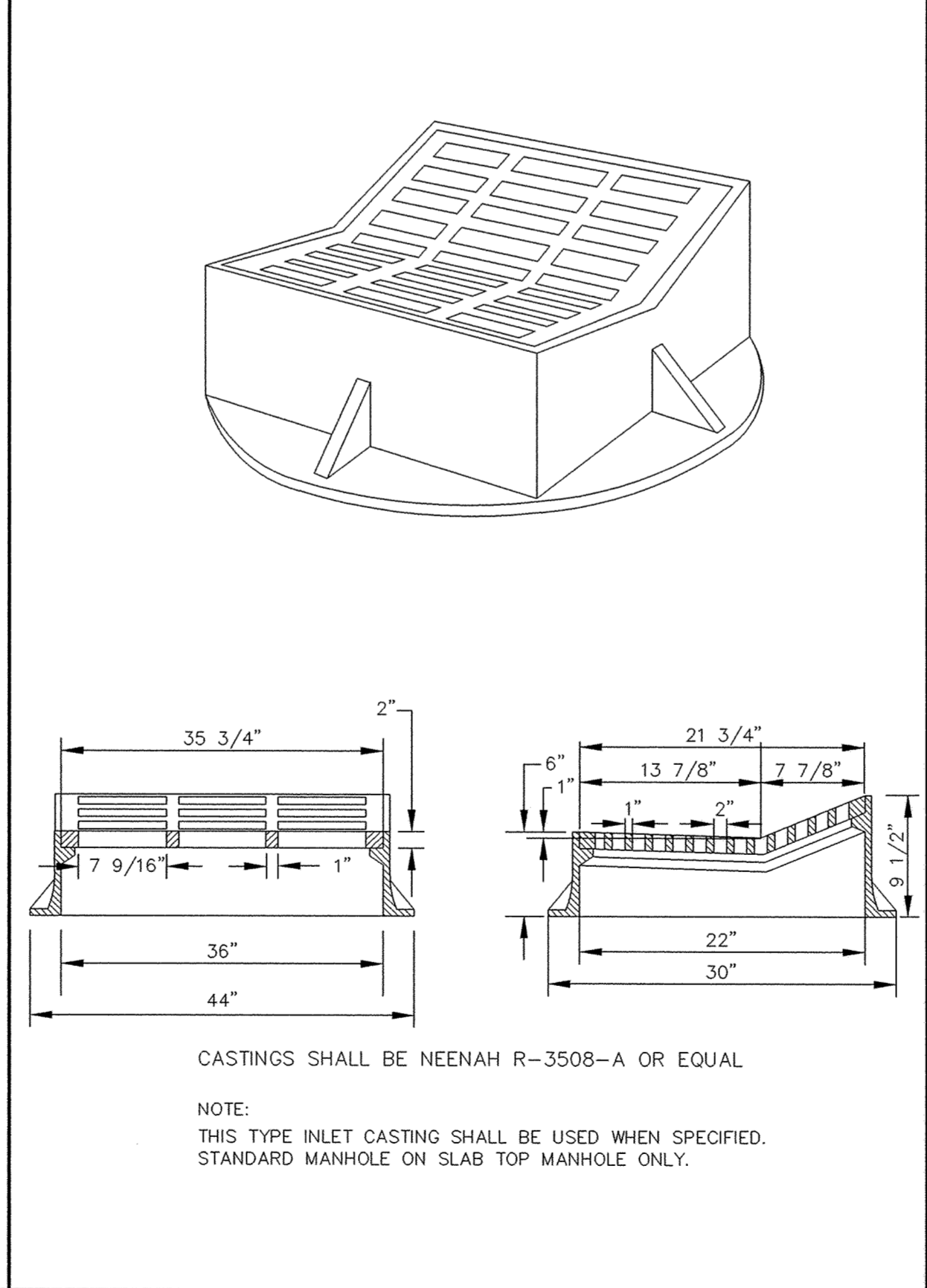


CONTRACTOR: RYAN CONTRACTING CO.
RECORD DRAWING
CONFORMING TO CONSTRUCTION RECORDS.
BY AL SPILLES DATE 05/29/03
WESTWOOD PROFESSIONAL SERVICES

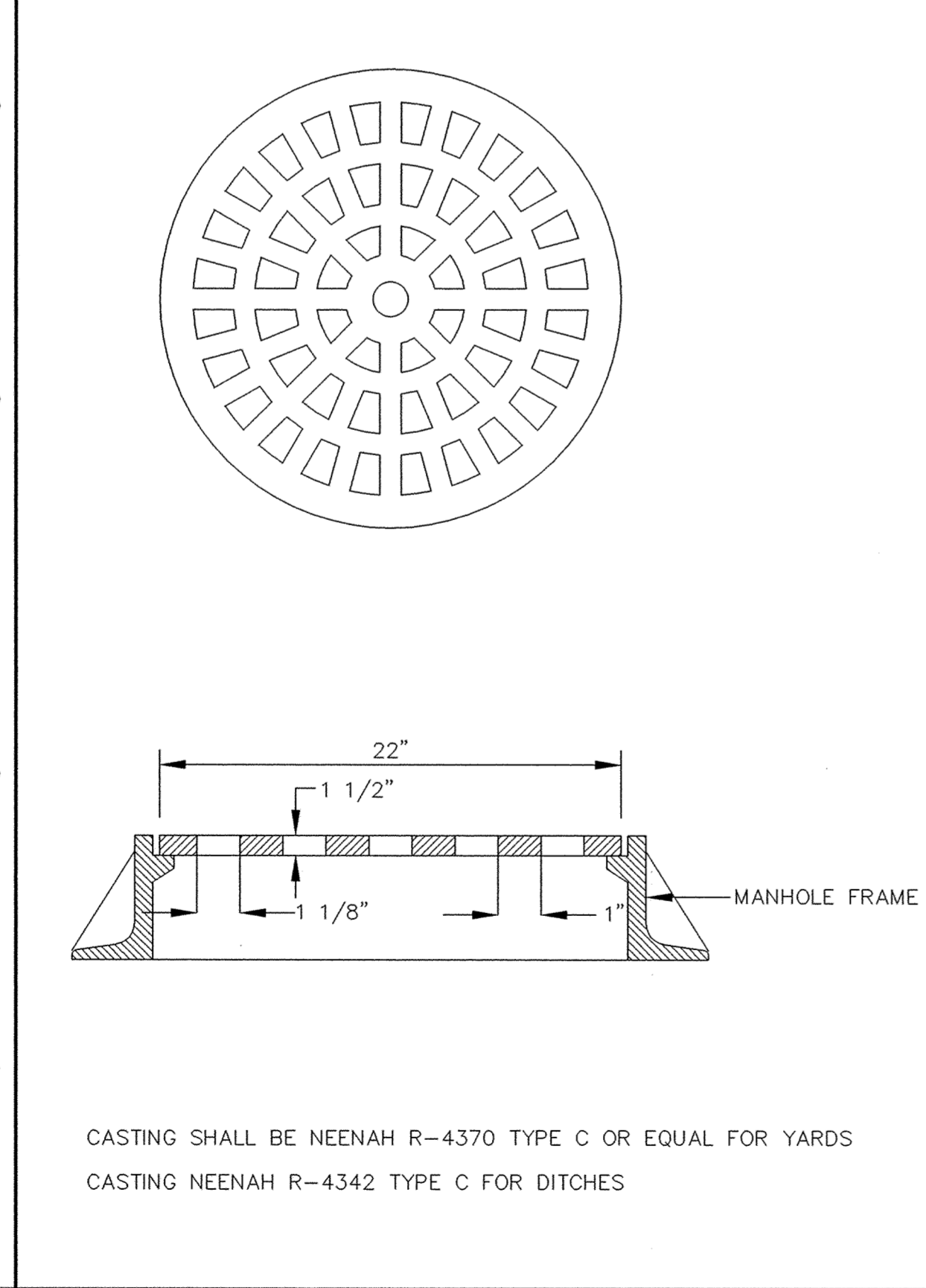
SHALLOW CATCH BASIN



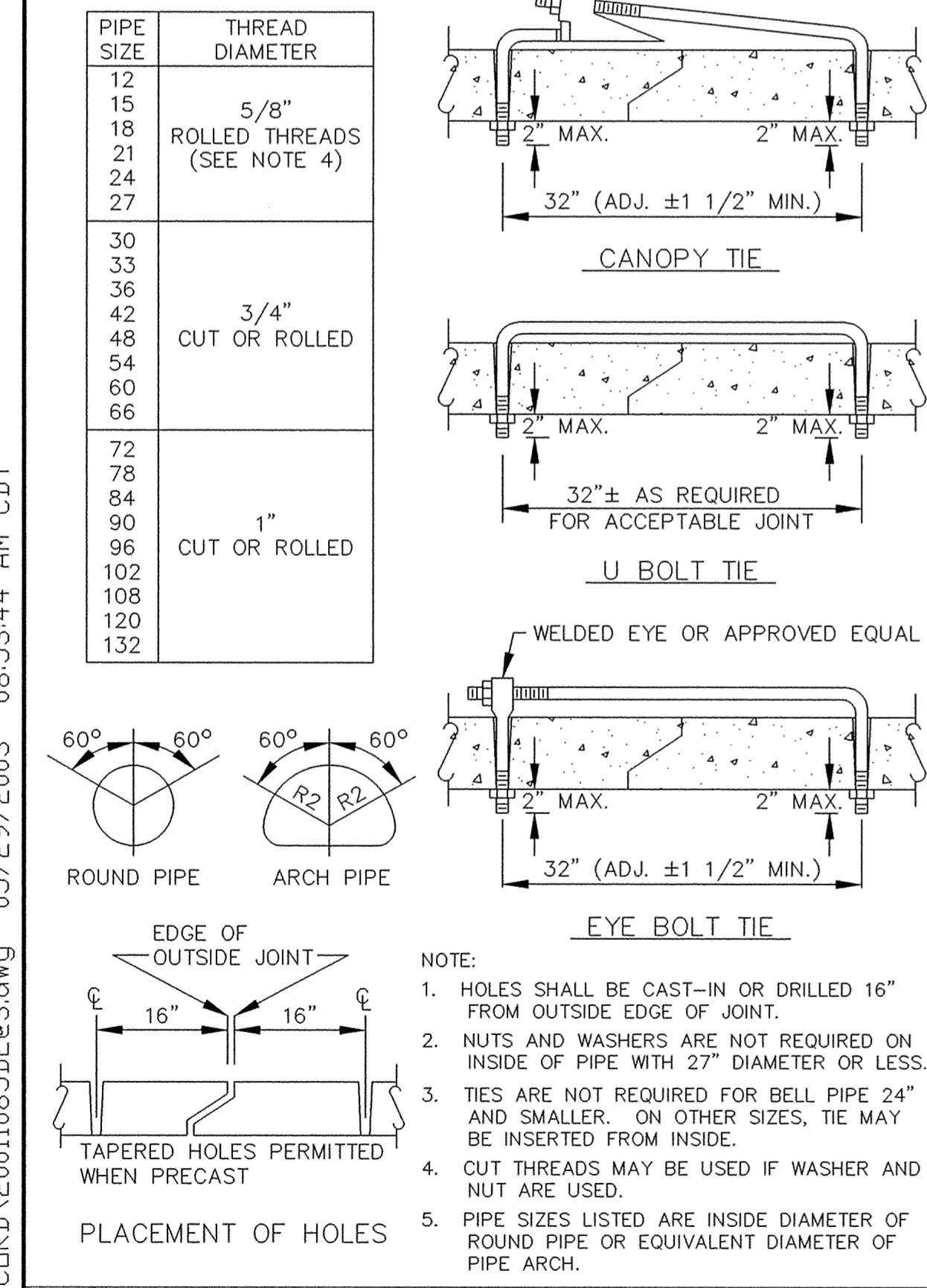
STANDARD INLET CASTING



STANDARD INLET CASTING



GRATE CASTING



CONCRETE PIPE JOINT TIES

DESIGNED BY: --- DRAWN BY: ---
APPROVED: --- JOB NUMBER ---
CAD DATE: April 14, 1999 11:14:59 a.m.
CAD FILE: 230000m\ER-SM.DWG

I HEREBY CERTIFY THAT THIS PLAN, SPECIFICATION, OR REPORT WAS PREPARED BY ME OR UNDER MY DIRECT SUPERVISION AND THAT I AM A DULY REGISTERED PROFESSIONAL ENGINEER UNDER THE LAWS OF THE STATE OF MINNESOTA.

DATE: --- REG. NO. ---

NO.	DATE	BY	REVISION DESCRIPTION
1	05/29/03	GKB	RECORD DRAWING

1326 ENERGY PARK DRIVE
ST. PAUL, MINNESOTA 55108
(612) 644-4389

Howard R. Green Company
CONSULTING ENGINEERS

CITY OF ELK RIVER
TROTTL8.03
STORM SEWER DETAILS

SHEET NO.
15
OF
17

E-10 20011085 20011085DE03.DWG