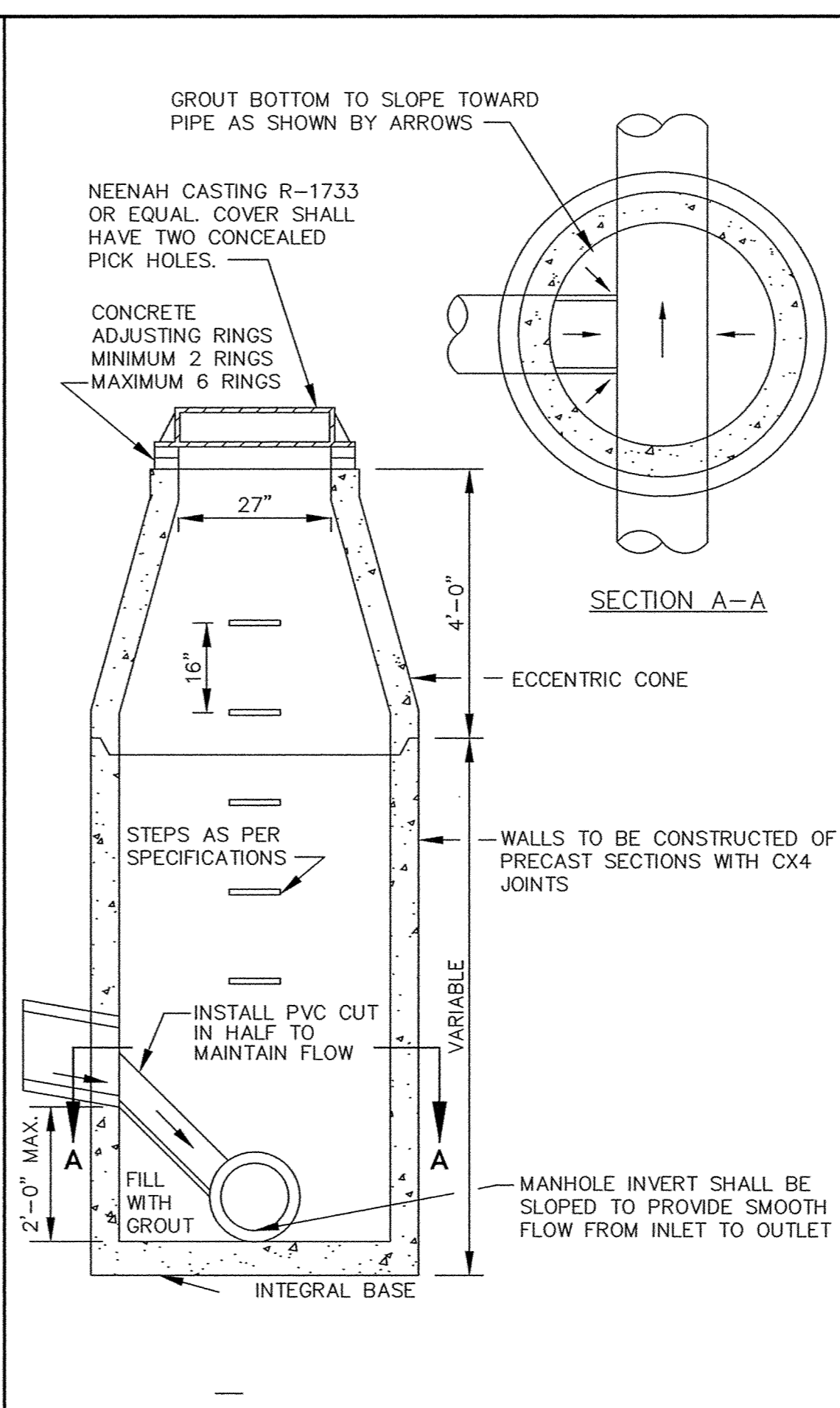
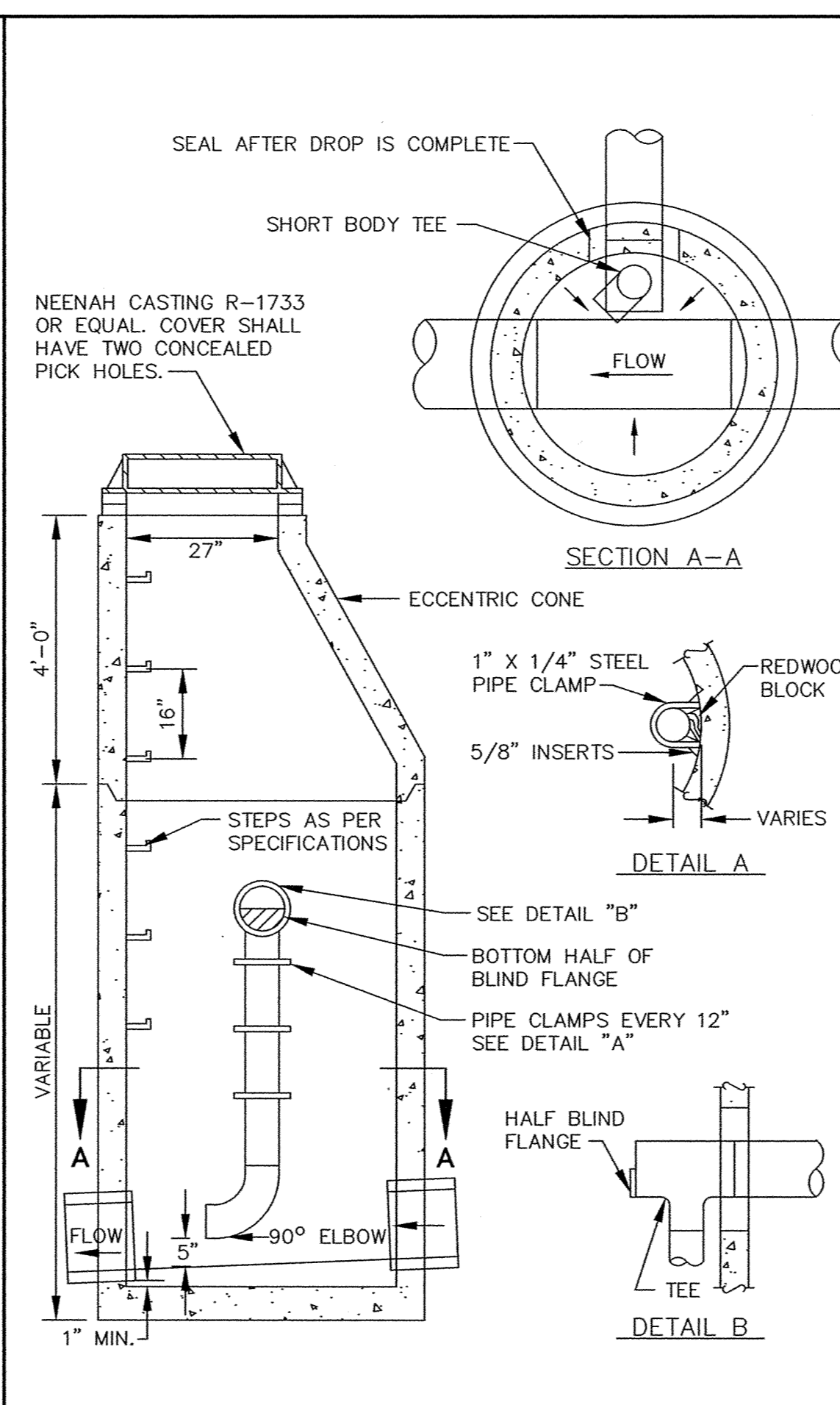


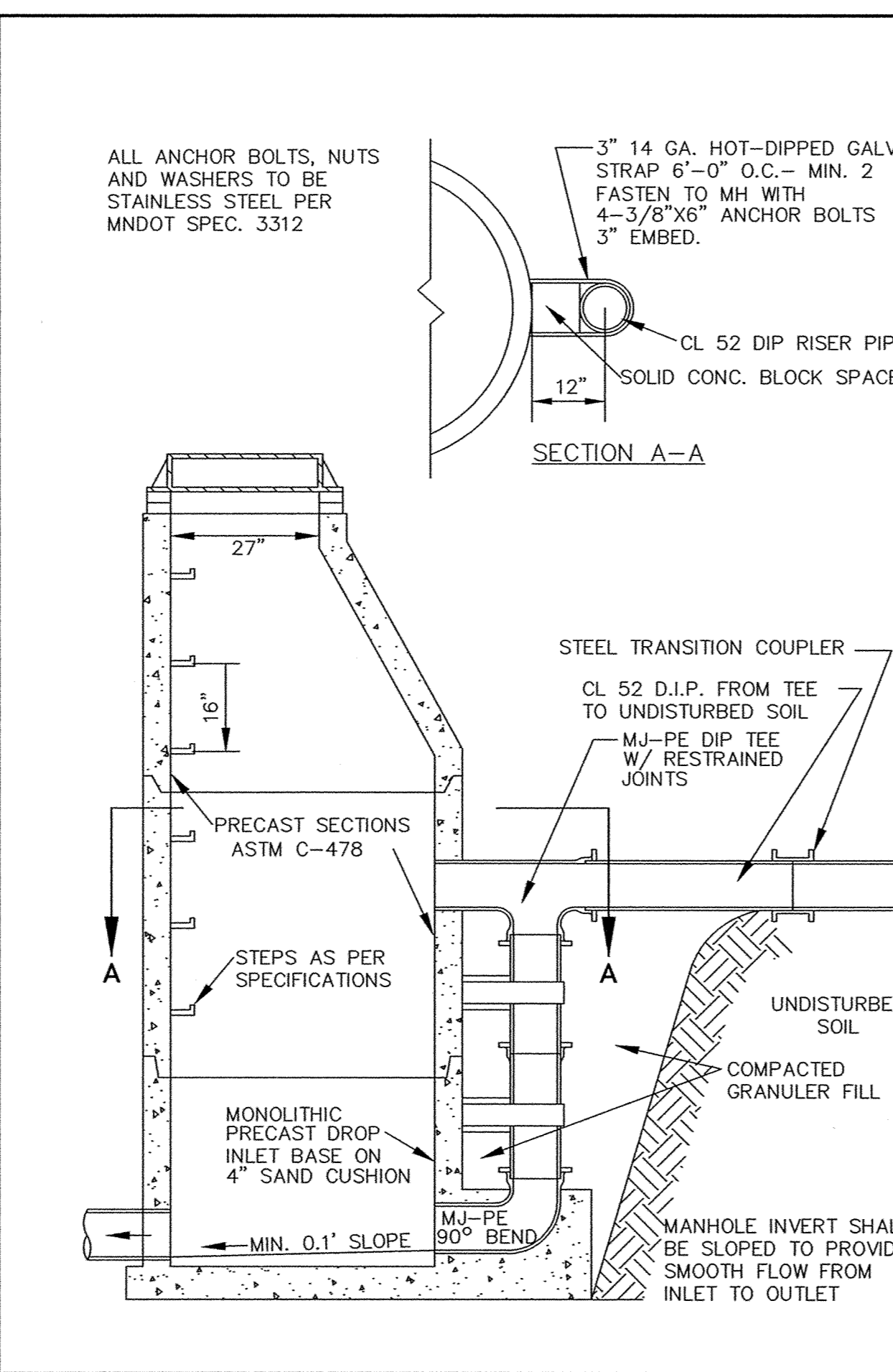
SLAB TOP MANHOLE



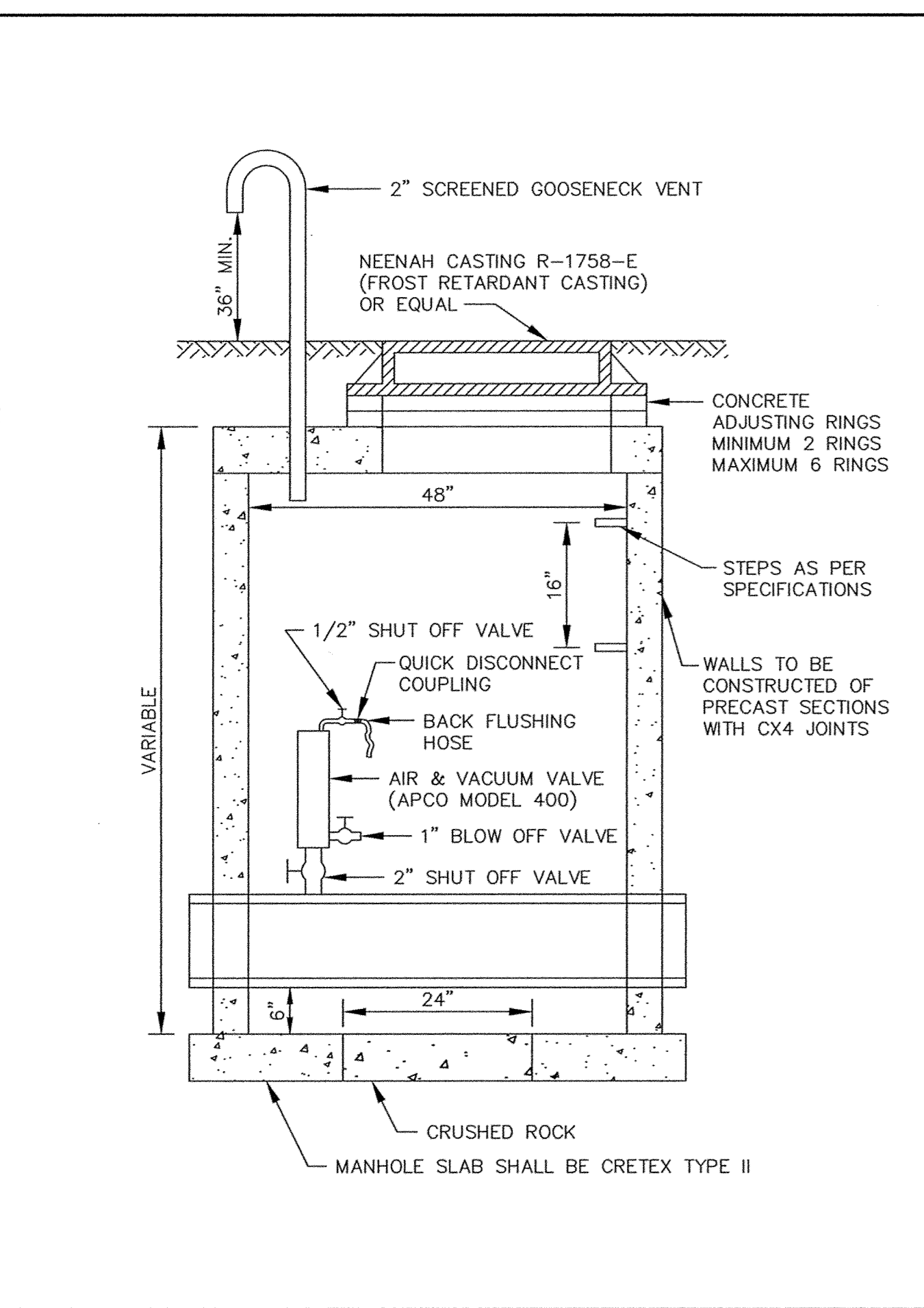
INSIDE DROP MANHOLE (TWO FEET OR LESS)



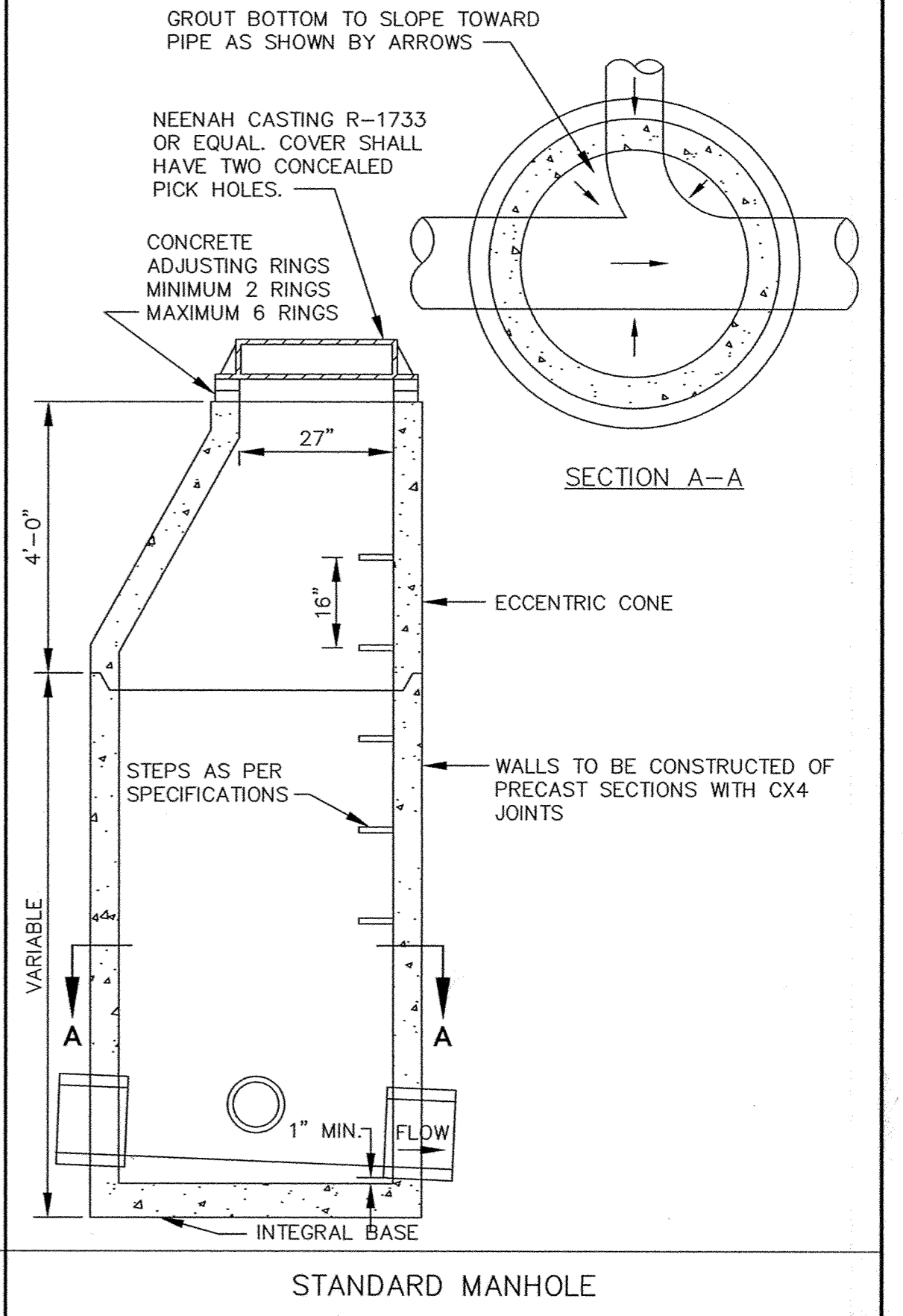
INSIDE DROP MANHOLE



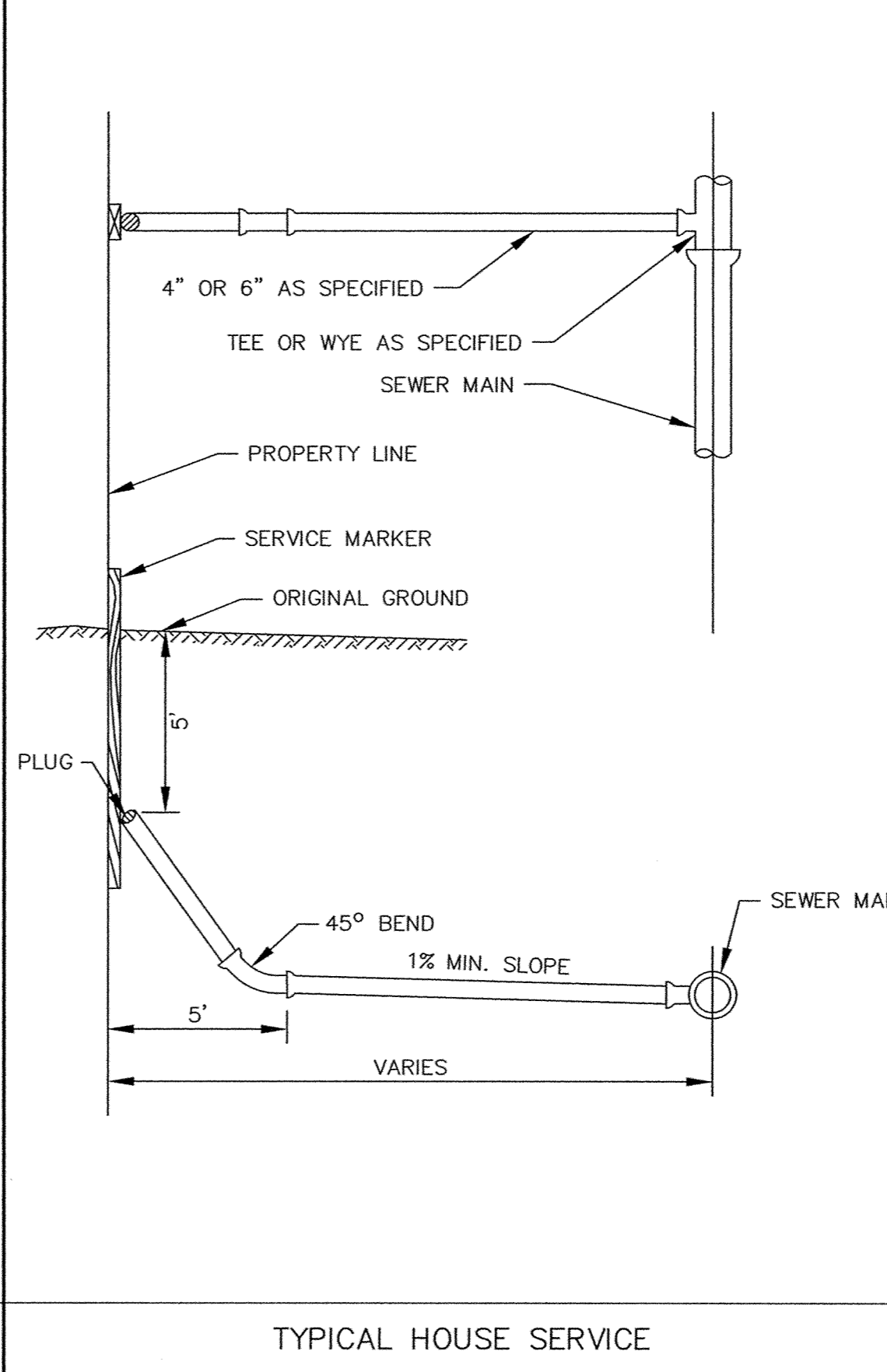
OUTSIDE DROP MANHOLE



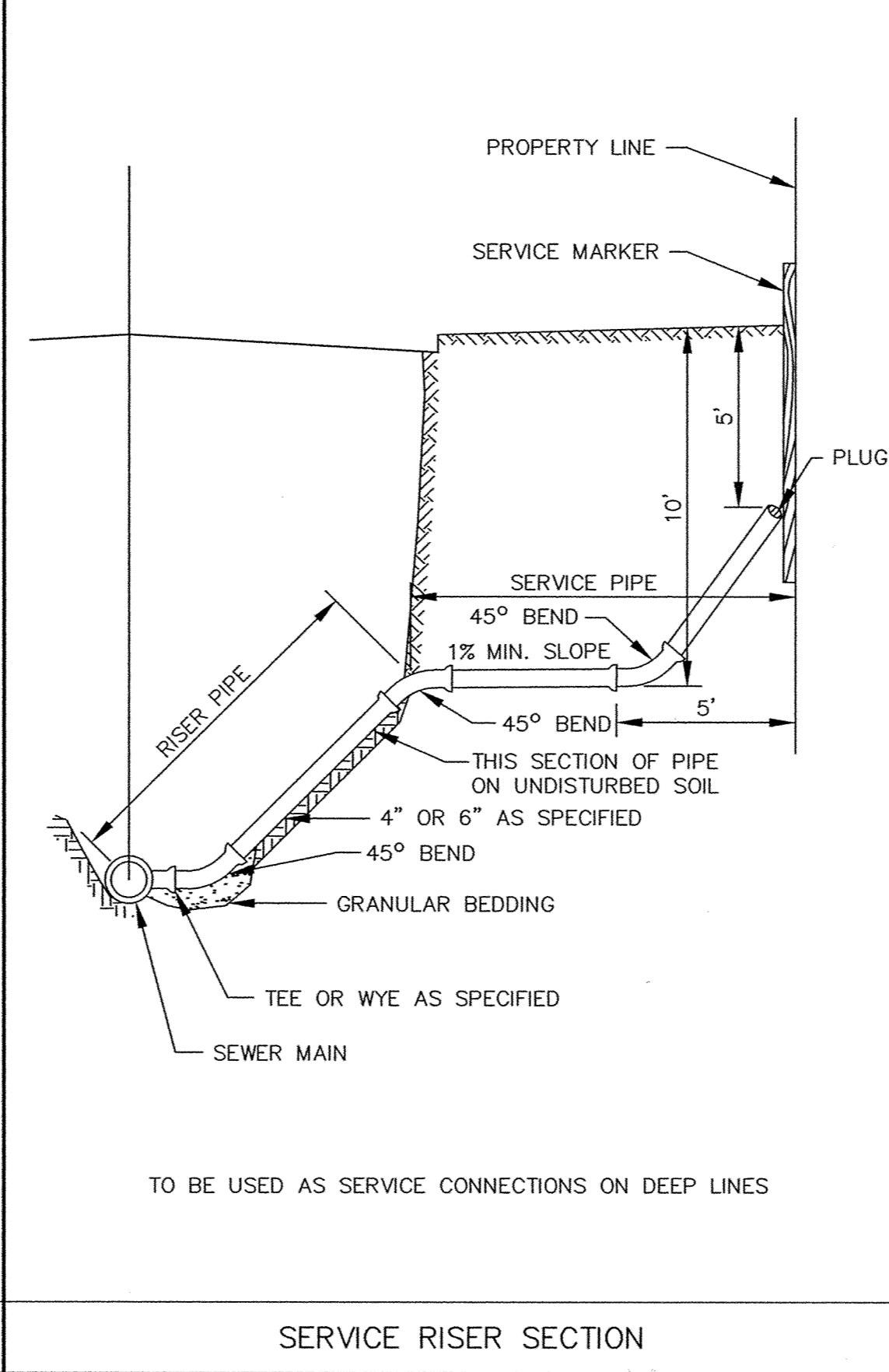
STANDARD AIR RELIEF MANHOLE



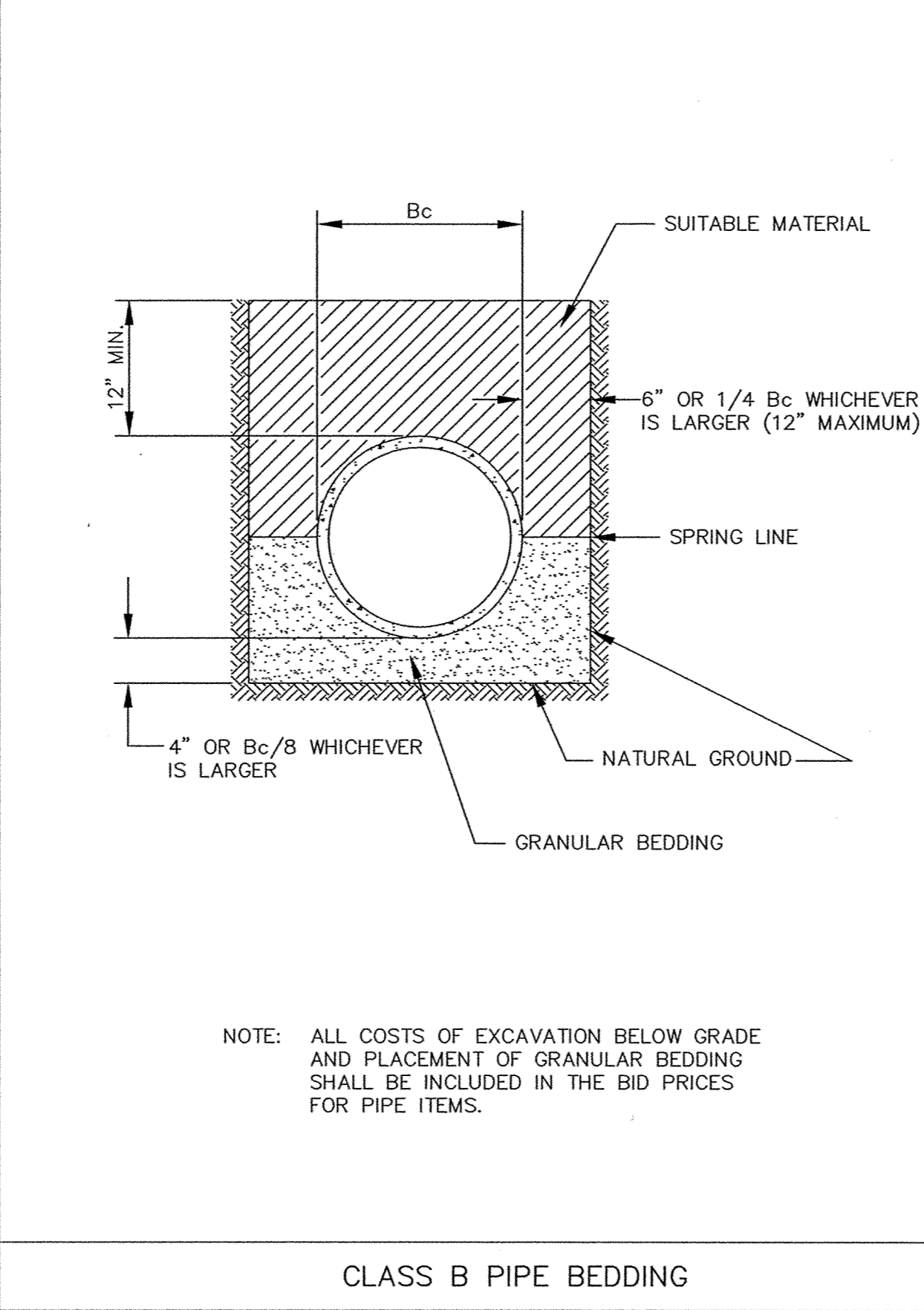
STANDARD MANHOLE



TYPICAL HOUSE SERVICE



SERVICE RISER SECTION



CLASS B PIPE BEDDING

CONTRACTOR: RYAN CONTRACTING, INC.

RECORD DRAWING CONFORMING TO CONSTRUCTION RECORDS. BY K. WOOD DATE 3/14/01 WESTWOOD PROFESSIONAL SERVICES

Westwood Professional Services, Inc.
7599 Anagram Drive
Eden Prairie, MN 55344
Phone: 612/937-5150 Fax: 612/937-5822

PREPARED FOR:
D.R. Horton, INC.
3459 Washington Drive
Suite 204
Eagan, Minnesota 55122

DESIGNED BY: ---	DRAWN BY: ---
APPROVED: ---	JOB NUMBER ---
CAD DATE: April 14, 1999 11:14:59 a.m.	
CAD FILE: 230000m\ER-SM.DWG	

I HEREBY CERTIFY THAT THIS PLAN, SPECIFICATION, OR REPORT WAS PREPARED BY ME OR UNDER MY DIRECT SUPERVISION AND THAT I AM A DULY REGISTERED PROFESSIONAL ENGINEER UNDER THE LAWS OF THE STATE OF MINNESOTA.

DATE _____ REG. NO. _____

NO.	DATE	BY	REVISION DESCRIPTION

1326 ENERGY PARK DRIVE
ST. PAUL, MINNESOTA 55108
(612) 644-4389

Howard R. Green Company
CONSULTING ENGINEERS

CITY OF ELK RIVER
TROTT BROOK FARMS
SANITARY SEWER DETAILS

SHEET NO. **8** OF **11**

P:\99605\dwg\As-Built\9605DL1.dwg 03/16/01 08:20:30 AM CST

00 PRODUCTS * NEW YORK, MINNESOTA
SAND PRODUCTS * NEW YORK, MINNESOTA
SAND PRODUCTS * NEW YORK, MINNESOTA
SAND PRODUCTS * NEW YORK, MINNESOTA