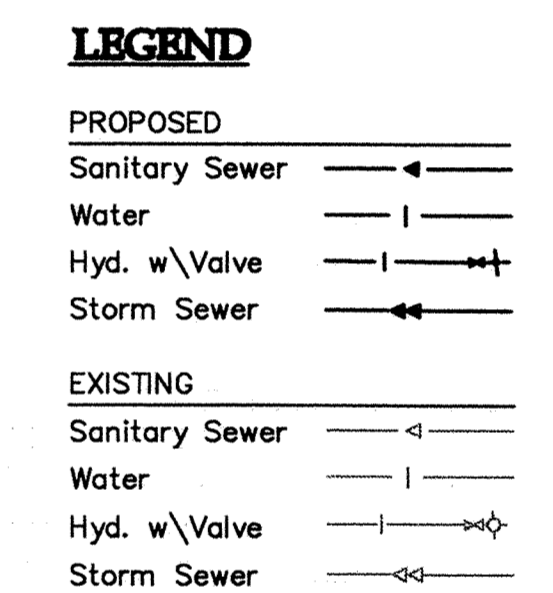
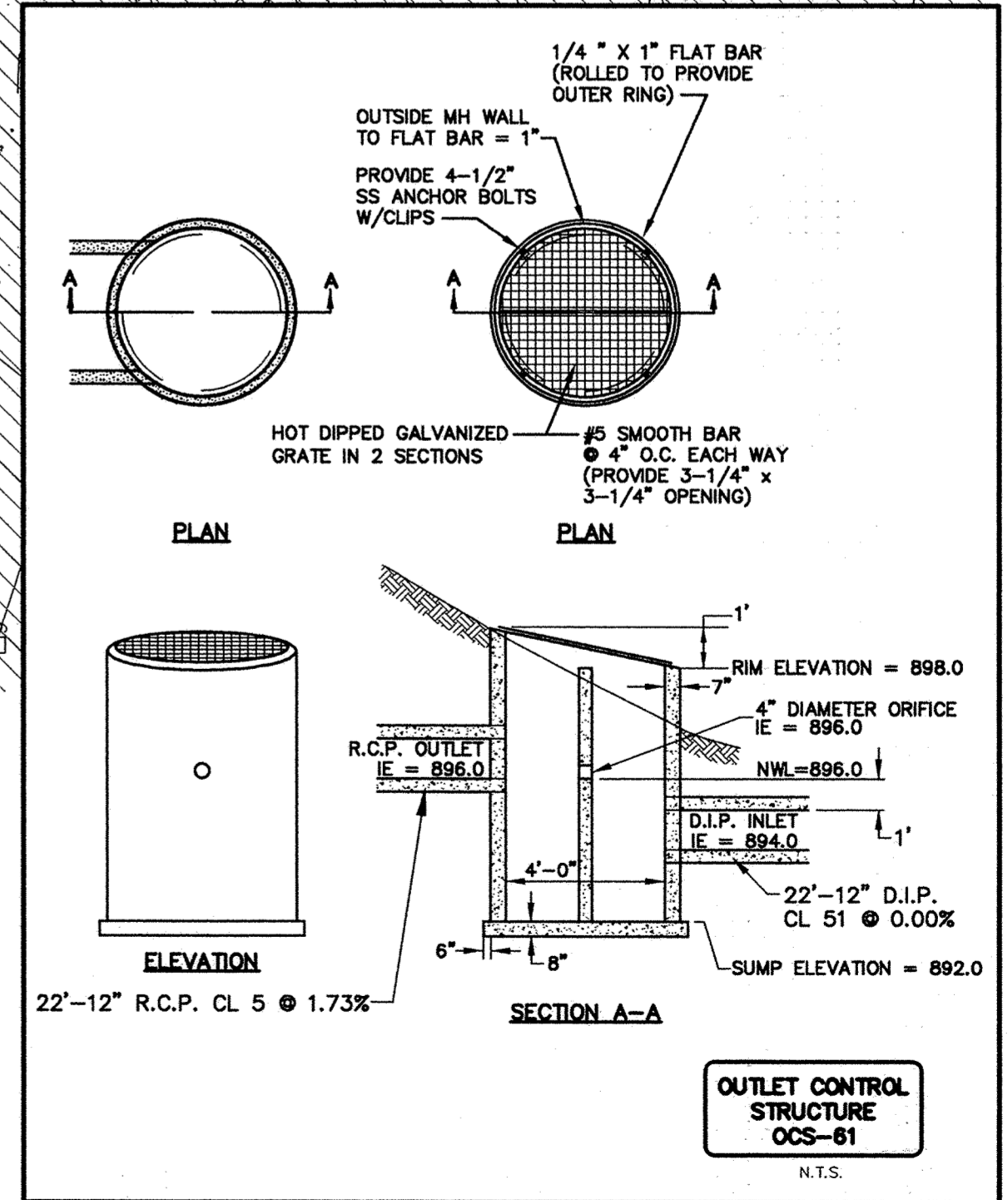
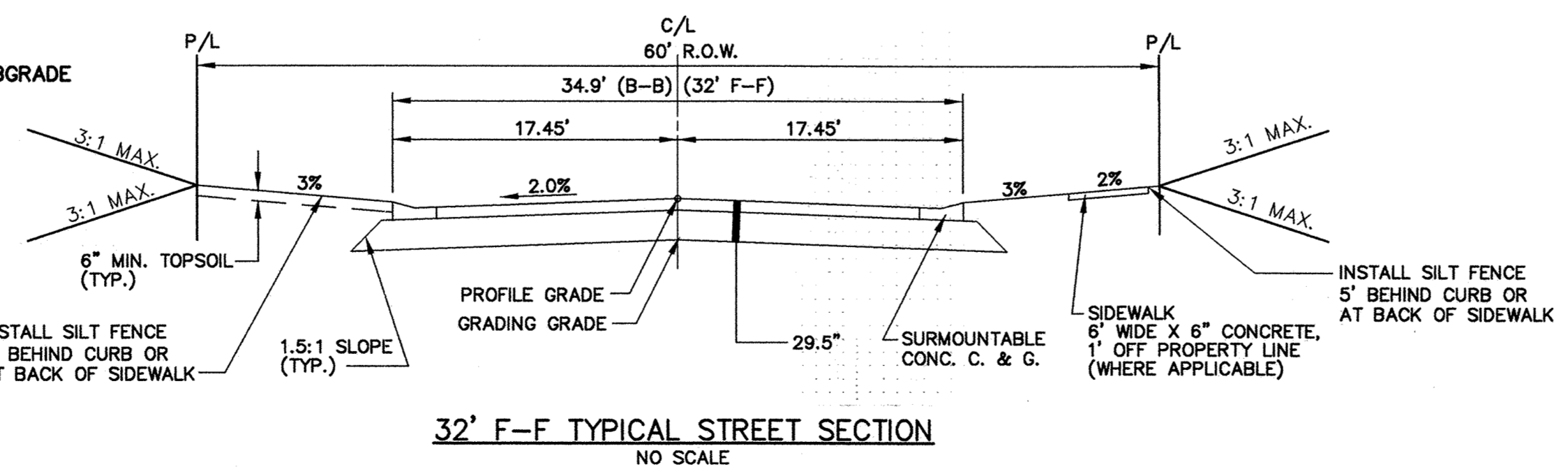
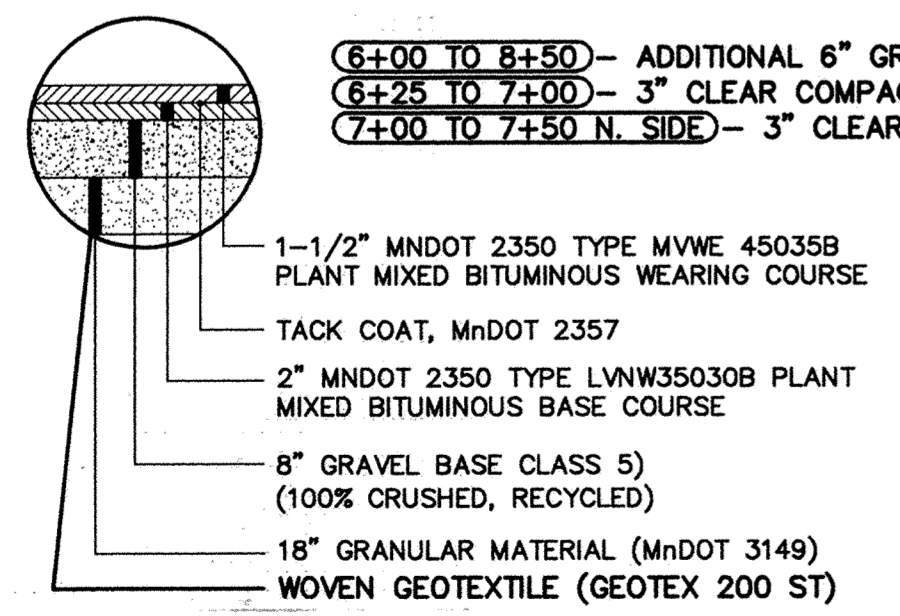


STORM SEWER CASTING SCHEDULE			
STRUCTURE			
NUMBER	TYPE	DIA.	CASTING TYPE
50	FES	18"	TRASH GUARD
51	STMH	48"	R-1733
52	CBMH	48"	R-3067
53	STMH	48"	R-1733
54	CBMH	48"	R-3067
55	CB	2'x3'	R-3067
56	CBMH	48"	R-3067
57	CB	2'x3'	R-3067
58	FES	12"	TRASH GUARD
60	FES	12"	TRASH GUARD
61	OCS	48"	SEE DETAIL
62	FES	12"	TRASH GUARD
65	FES	12"	TRASH GUARD
66	FES	12"	TRASH GUARD

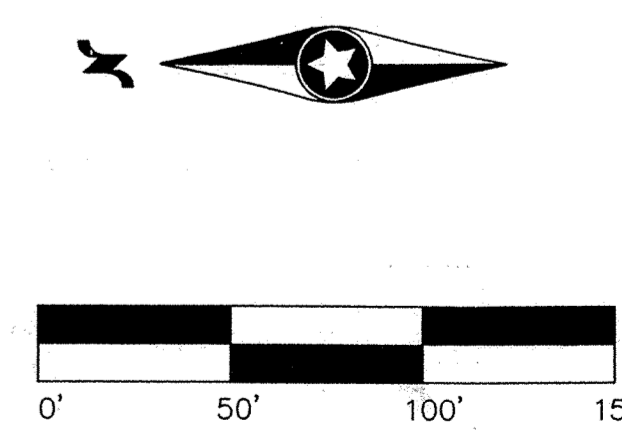


6+00 TO 8+50 - ADDITIONAL 6" GRANULAR MATERIAL
 6+25 TO 7+00 - 3" CLEAR COMPACTED INTO SUBGRADE
 7+00 TO 7+50 N. SIDE - 3" CLEAR COMPACTED INTO SUBGRADE



CONTRACTOR: Hennen Construction Co.
 14520 Main Street
 Rogers, MN 55374
 # 763-428-4177

RECORD DRAWING
 CONFORMING TO CONSTRUCTION RECORDS.
 BY Zak Spang DATE 04/25/07
 WESTWOOD PROFESSIONAL SERVICES



E-3 200412100AF01.DWG
 Latest Revision Date: 04/25/07
 Date: 02/14/06 Sheet: 2 OF 10

P:\20041210.dwg 200412100AF01.dwg 7/13/2006 3:43:58 PM CDT