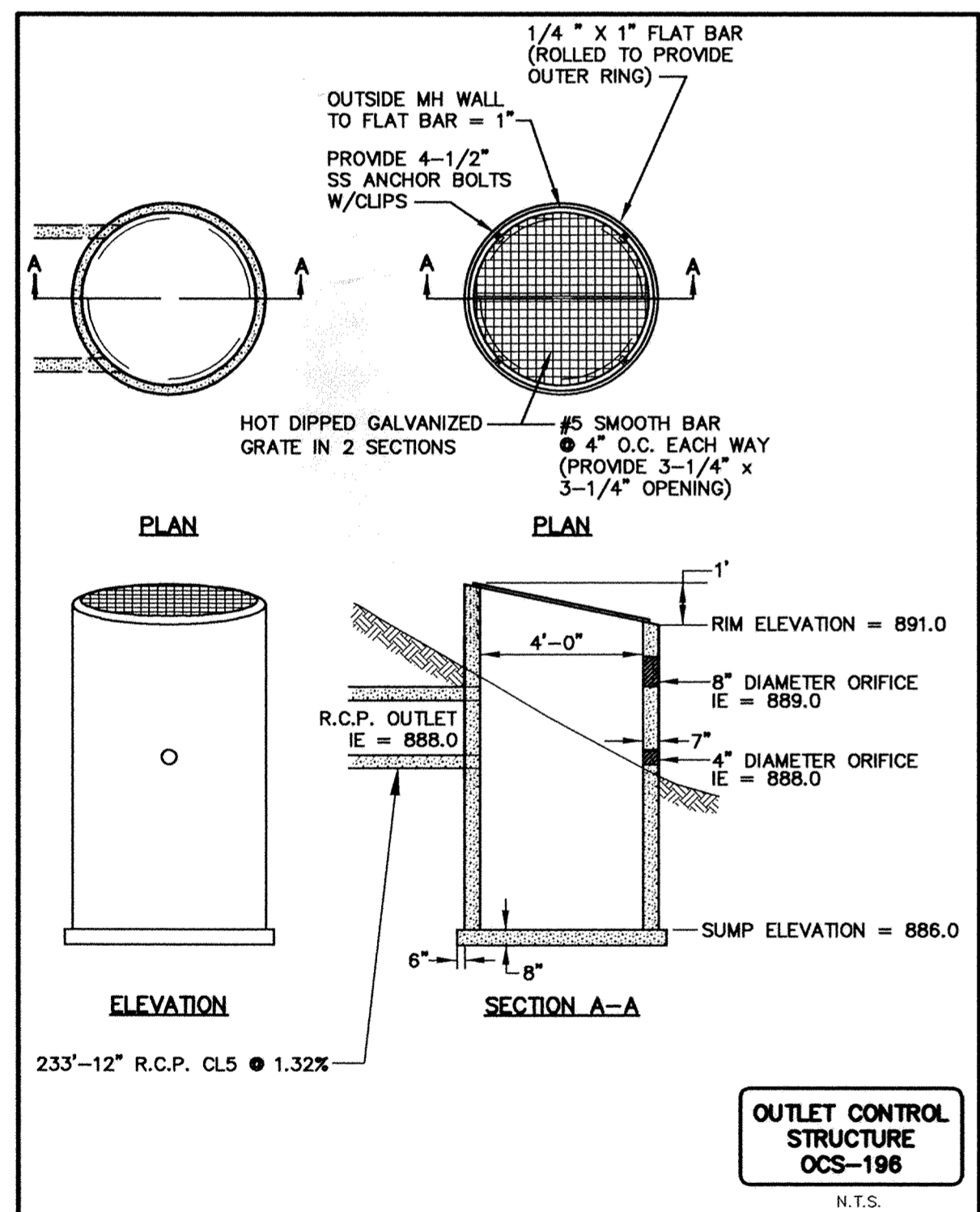


**CONTRACTOR: RYAN CONTRACTING CO.**  
**RECORD DRAWING CONFORMING TO CONSTRUCTION RECORDS.**  
 BY AL SPILLES DATE 01/21/05  
 WESTWOOD PROFESSIONAL SERVICES



Latest Revision Date: 01/21/05  
 E-3 20011101DE06.DWG  
 Date: 06/14/02 Sheet: 18 OF 18