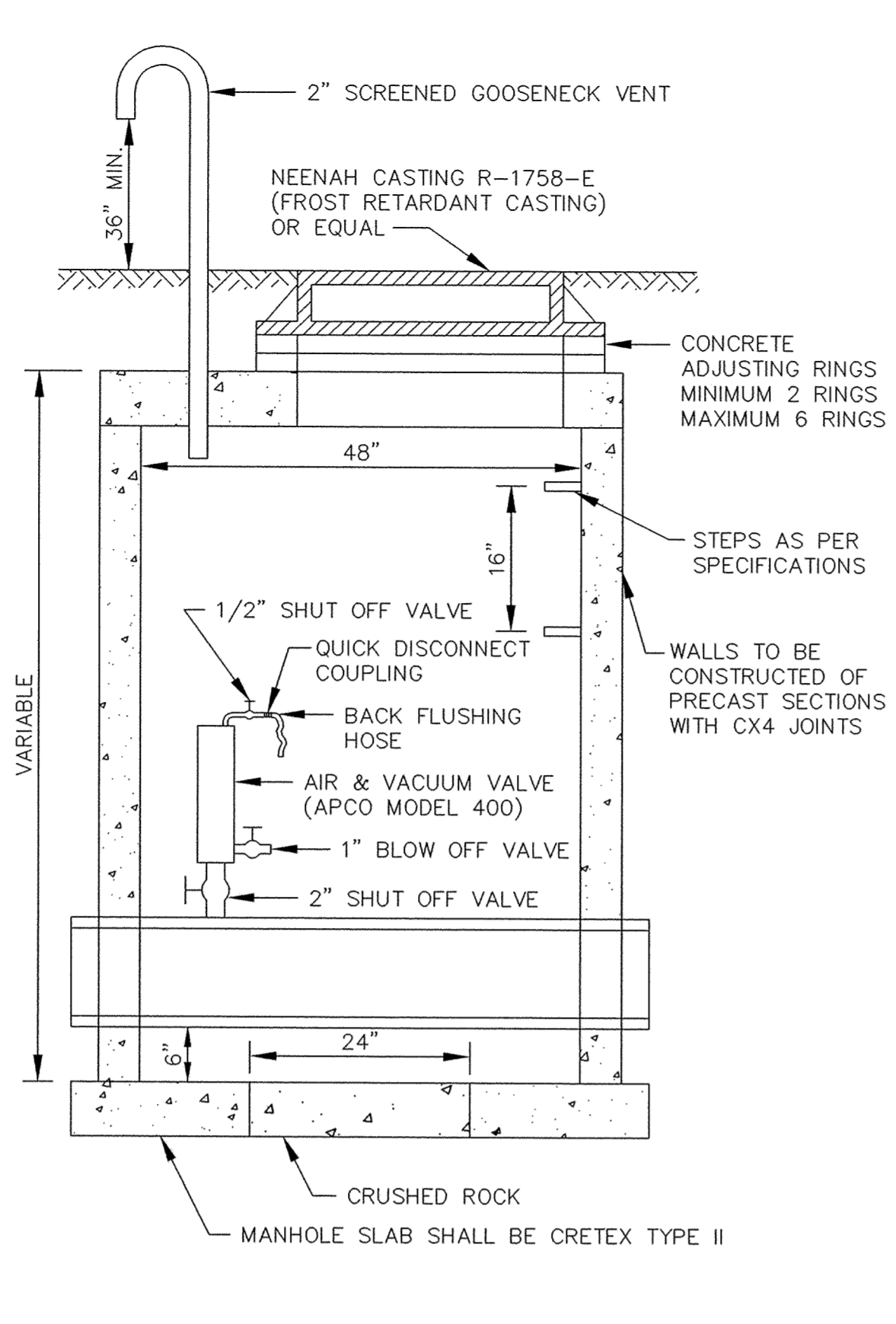
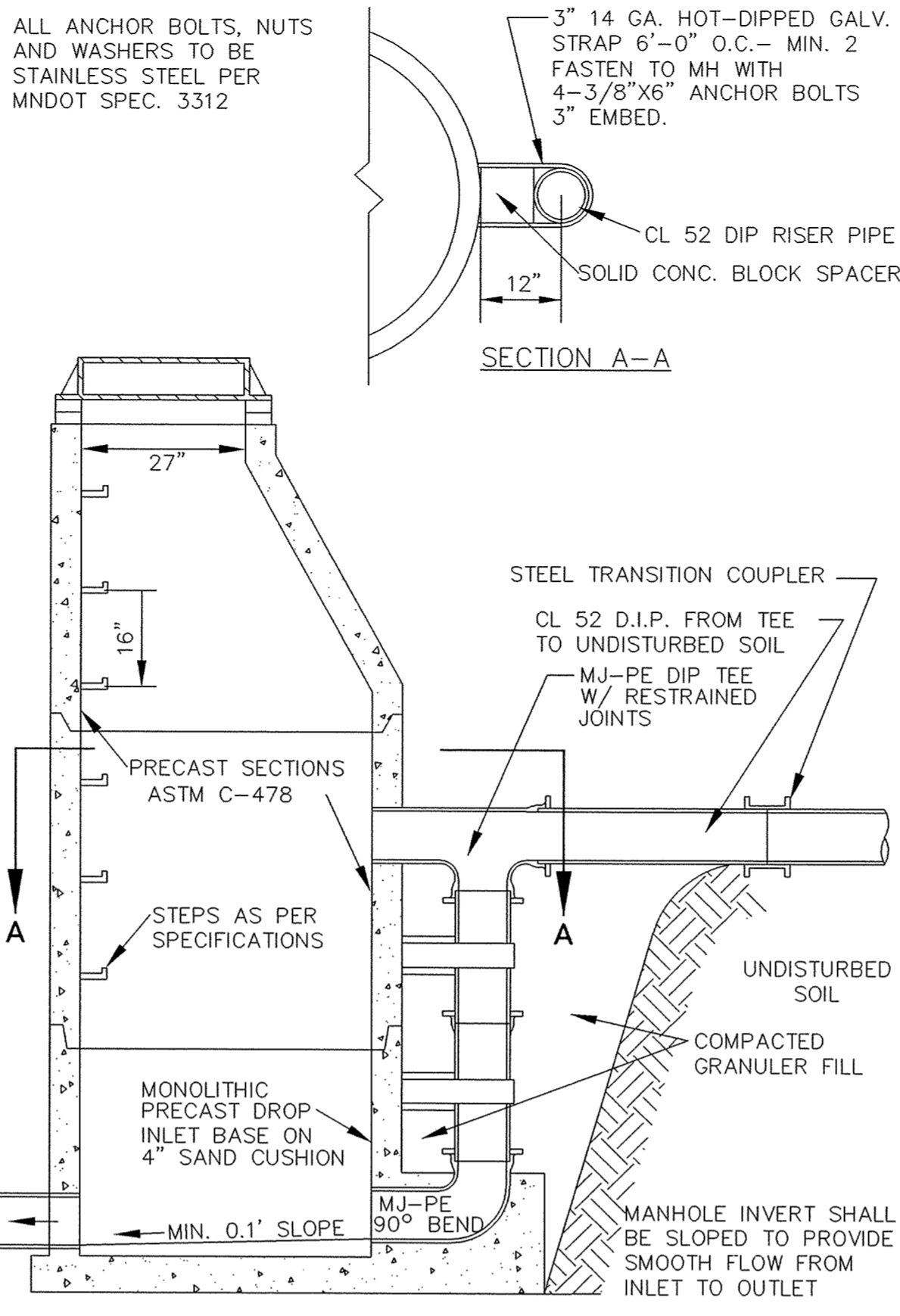


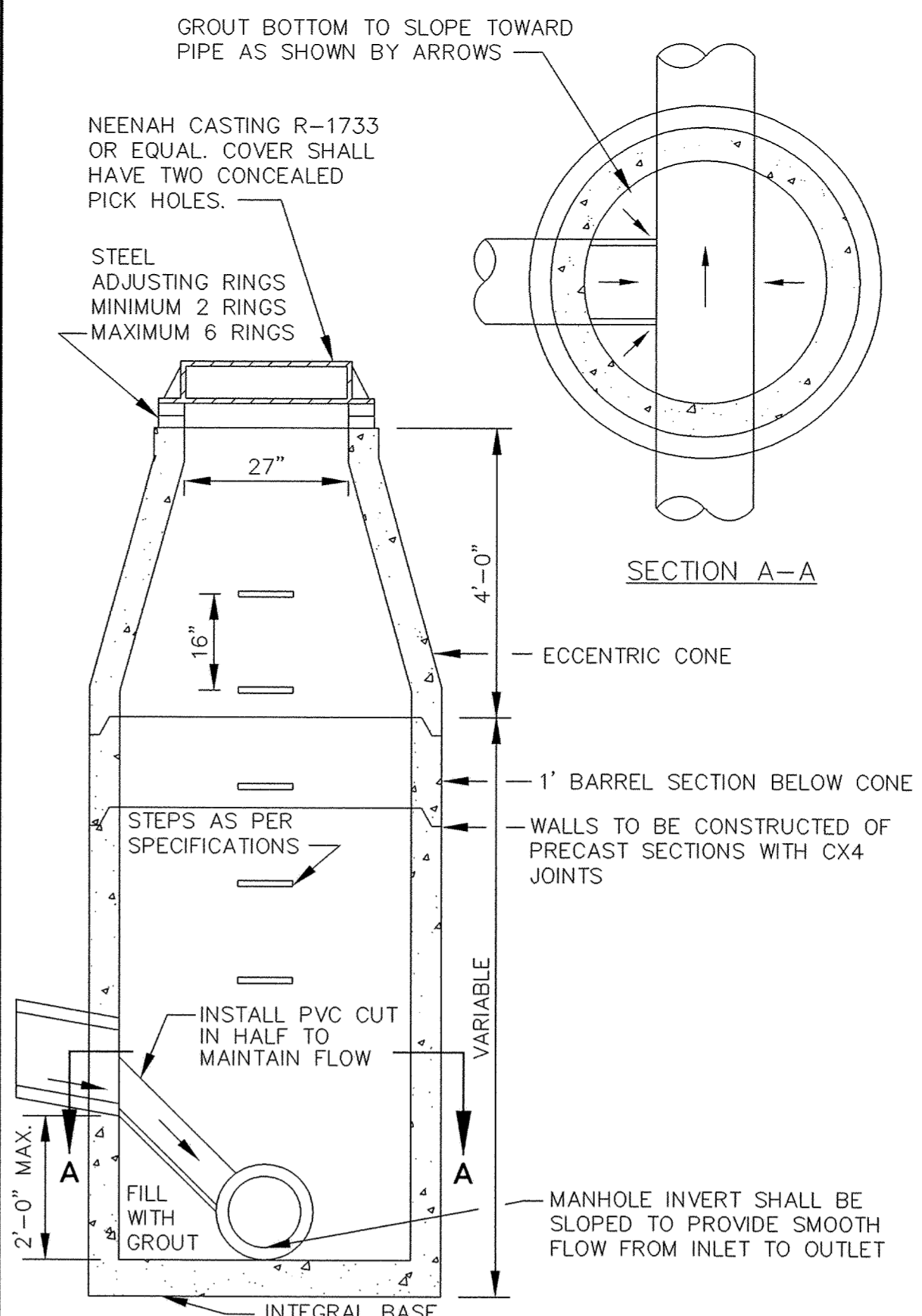
P:\20011101\dwg\RECORD\20011101DE@2.dwg 01/17/2005 09:54:33 AM CST



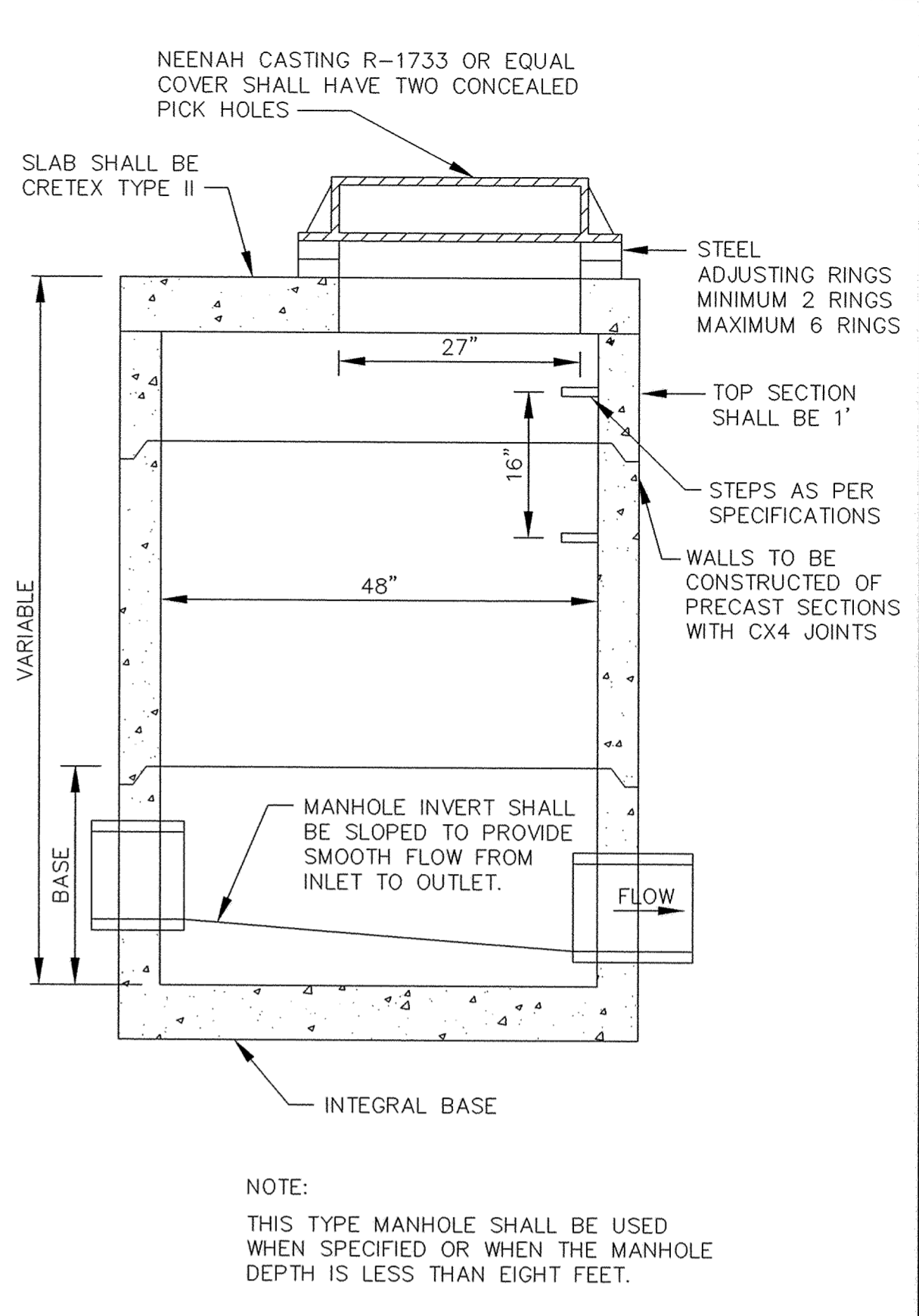
STANDARD AIR RELIEF MANHOLE



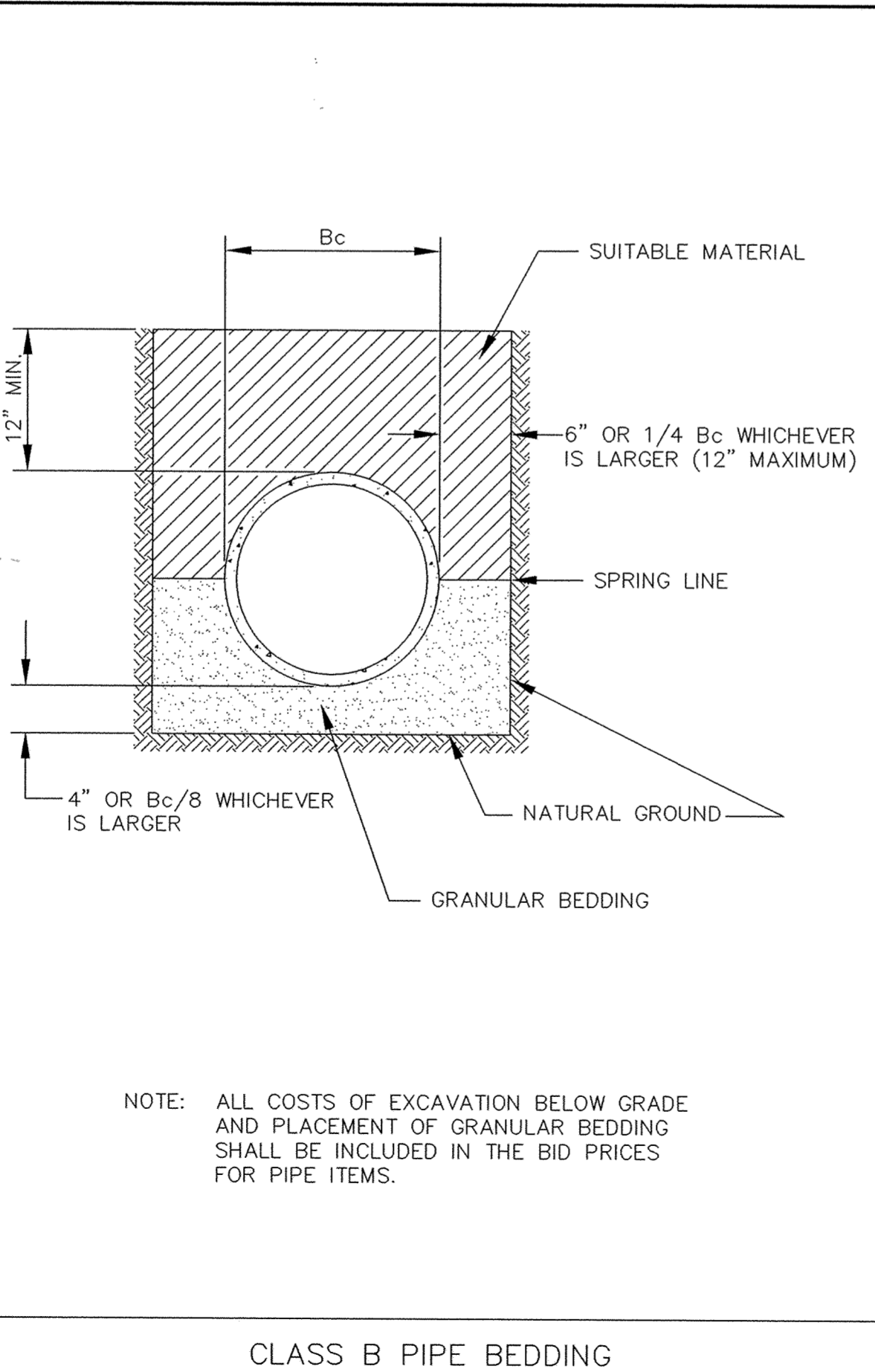
OUTSIDE DROP MANHOLE



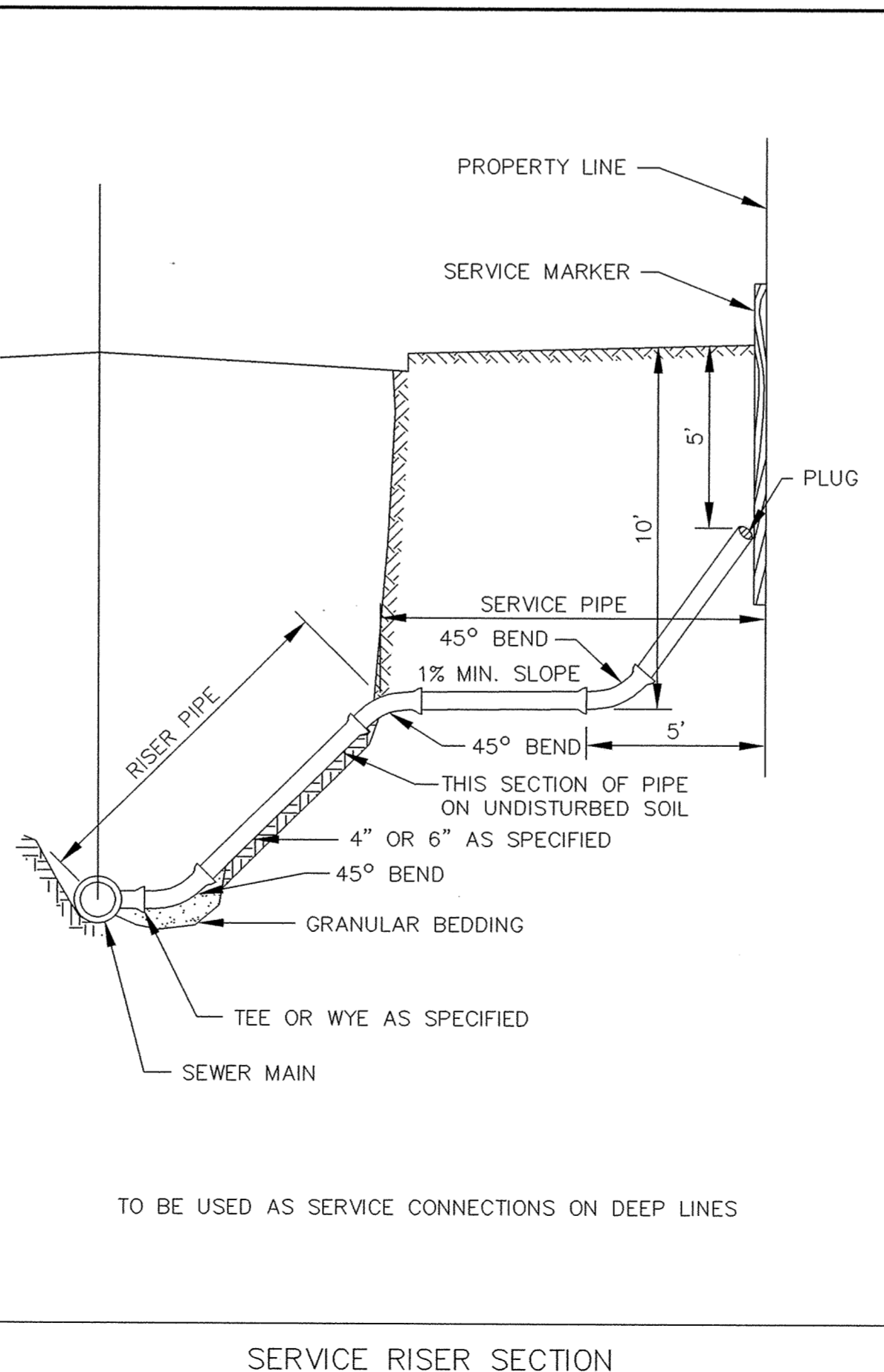
INSIDE DROP MANHOLE (TWO FEET OR LESS)



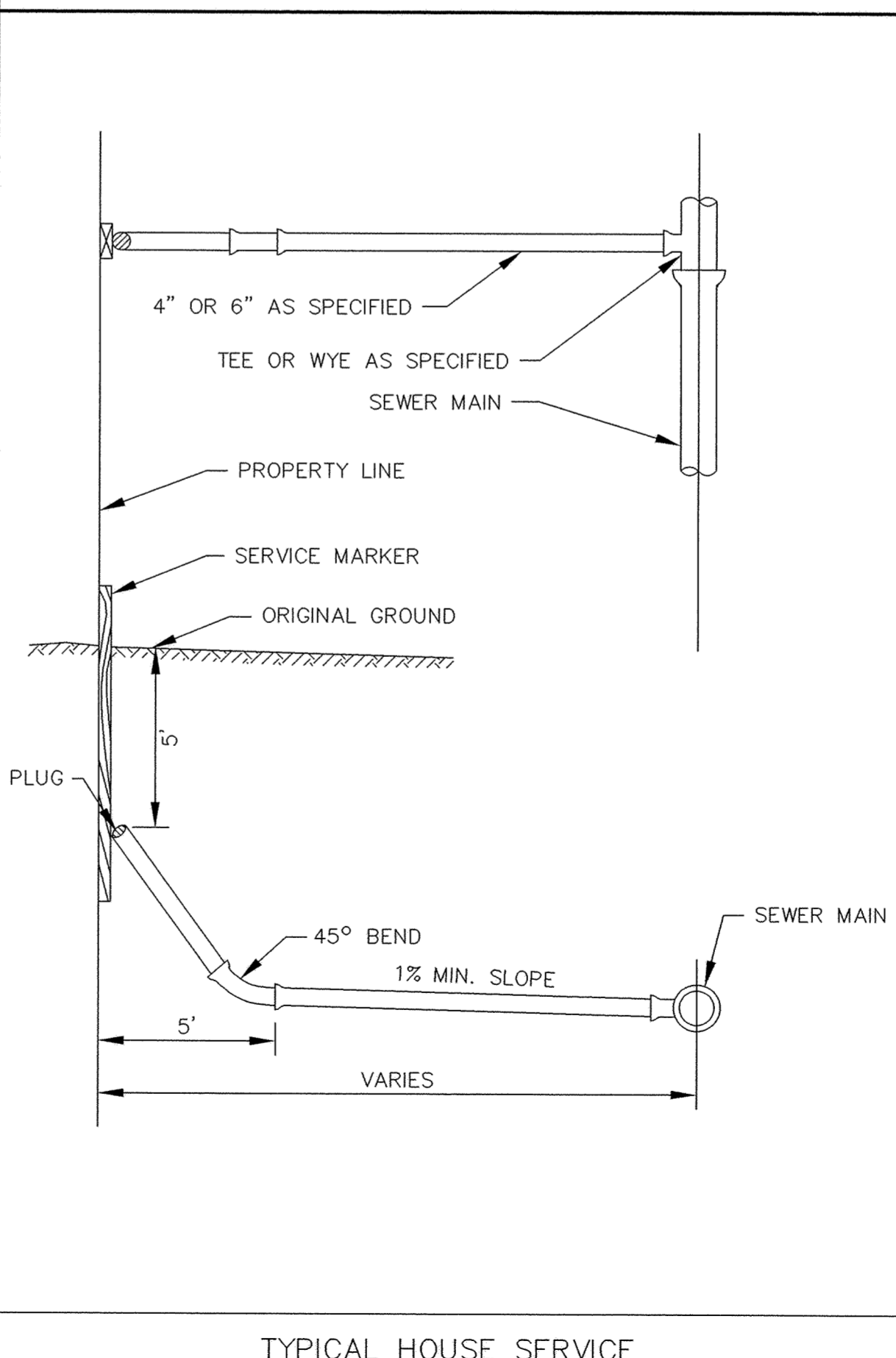
SLAB TOP MANHOLE



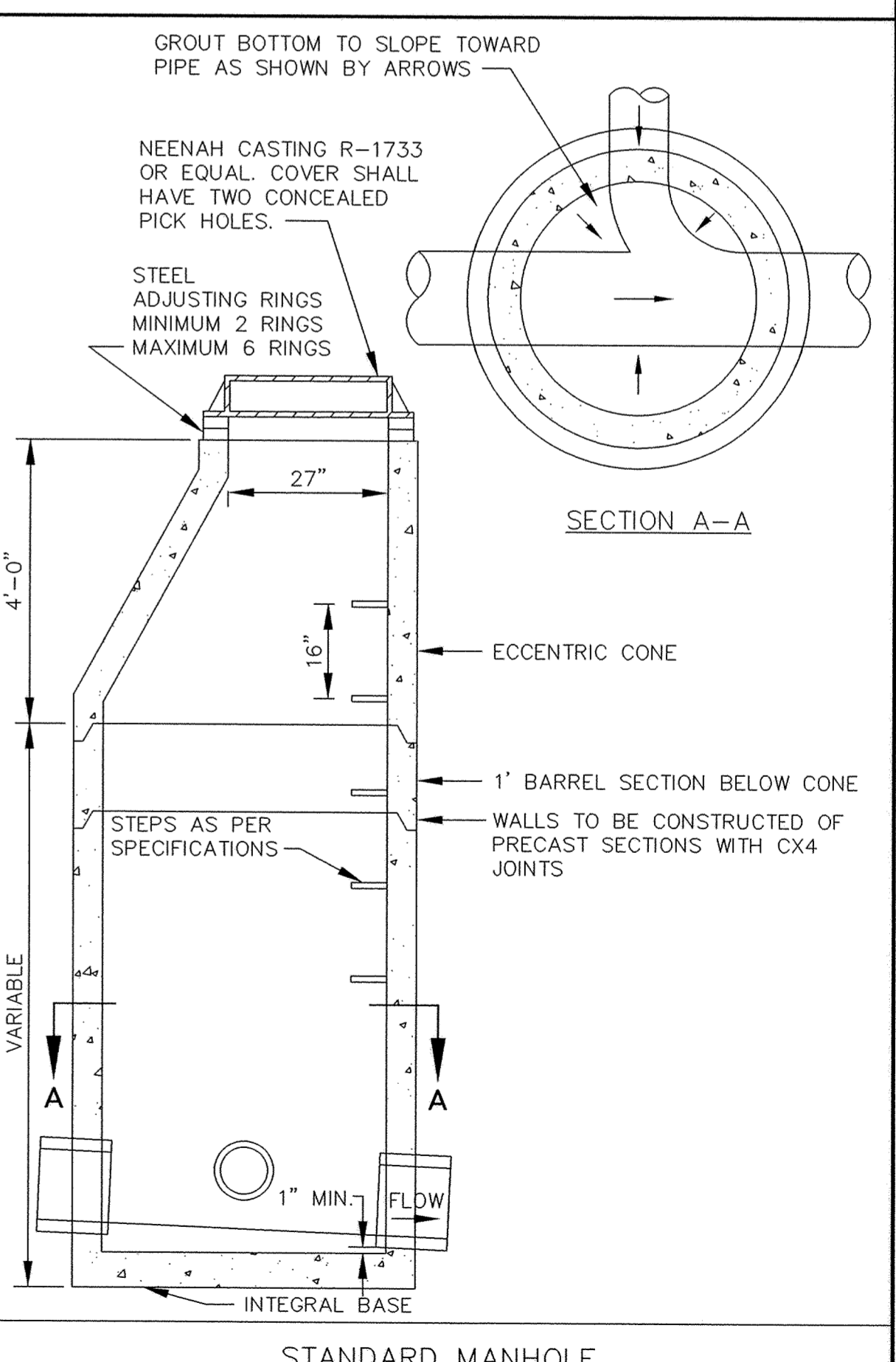
CLASS B PIPE BEDDING



SERVICE RISER SECTION



TYPICAL HOUSE SERVICE



STANDARD MANHOLE

CONTRACTOR: RYAN CONTRACTING CO.  
 RECORD DRAWING  
 CONFORMING TO CONSTRUCTION RECORDS.  
 BY AL SPILLES DATE 01/21/05  
 WESTWOOD PROFESSIONAL SERVICES

**Westwood Professional Services, Inc.**  
 7599 Anagram Drive  
 Eden Prairie, MN 55344  
 Phone: 952/937-5150 Fax: 952/937-5822

PREPARED FOR:  
**Foray Real Estate & Construction**  
 9350 County Road 19  
 Corcoran, Minnesota 55357

NOTE: ALL COSTS OF EXCAVATION BELOW GRADE AND PLACEMENT OF GRANULAR BEDDING SHALL BE INCLUDED IN THE BID PRICES FOR PIPE ITEMS.

DESIGNED BY: --- DRAWN BY: ---  
 APPROVED: --- JOB NUMBER ---  
 CAD DATE: April 14, 1999 11:14:59 a.m.  
 CAD FILE: 230000m\ER-SM.DWG

I HEREBY CERTIFY THAT THIS PLAN, SPECIFICATION, OR REPORT WAS PREPARED BY ME OR UNDER MY DIRECT SUPERVISION AND THAT I AM A DULY REGISTERED PROFESSIONAL ENGINEER UNDER THE LAWS OF THE STATE OF MINNESOTA.

DATE \_\_\_\_\_ REG. NO. \_\_\_\_\_

NO.	DATE	BY	REVISION DESCRIPTION
1	01/21/05	AS	RECORD DRAWING



**Howard R. Green Company**  
 CONSULTING ENGINEERS

1326 ENERGY PARK DRIVE  
 ST. PAUL, MINNESOTA 55108  
 (612) 644-4389

**CITY OF ELK RIVER**  
**TROTT BROOK CROSSING - PHASE ONE**  
**SANITARY SEWER DETAILS**

SHEET NO.  
**14**  
 OF  
**18**

DRAWING NUMBER  
 TROT1.02  
 DRAWING NUMBER  
 TROT1.02  
 DRAWING NUMBER  
 TROT1.02