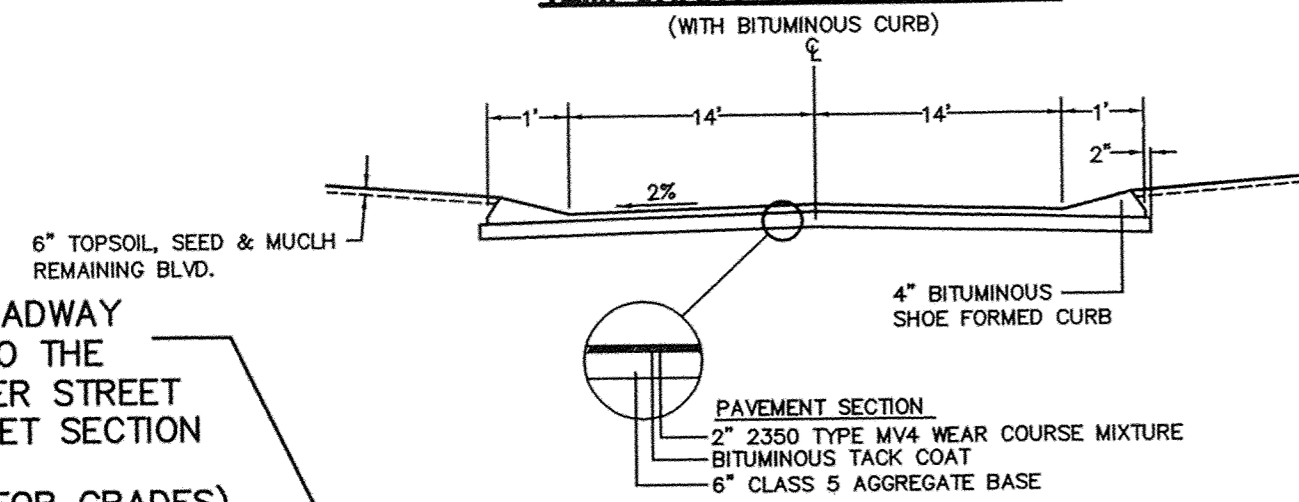
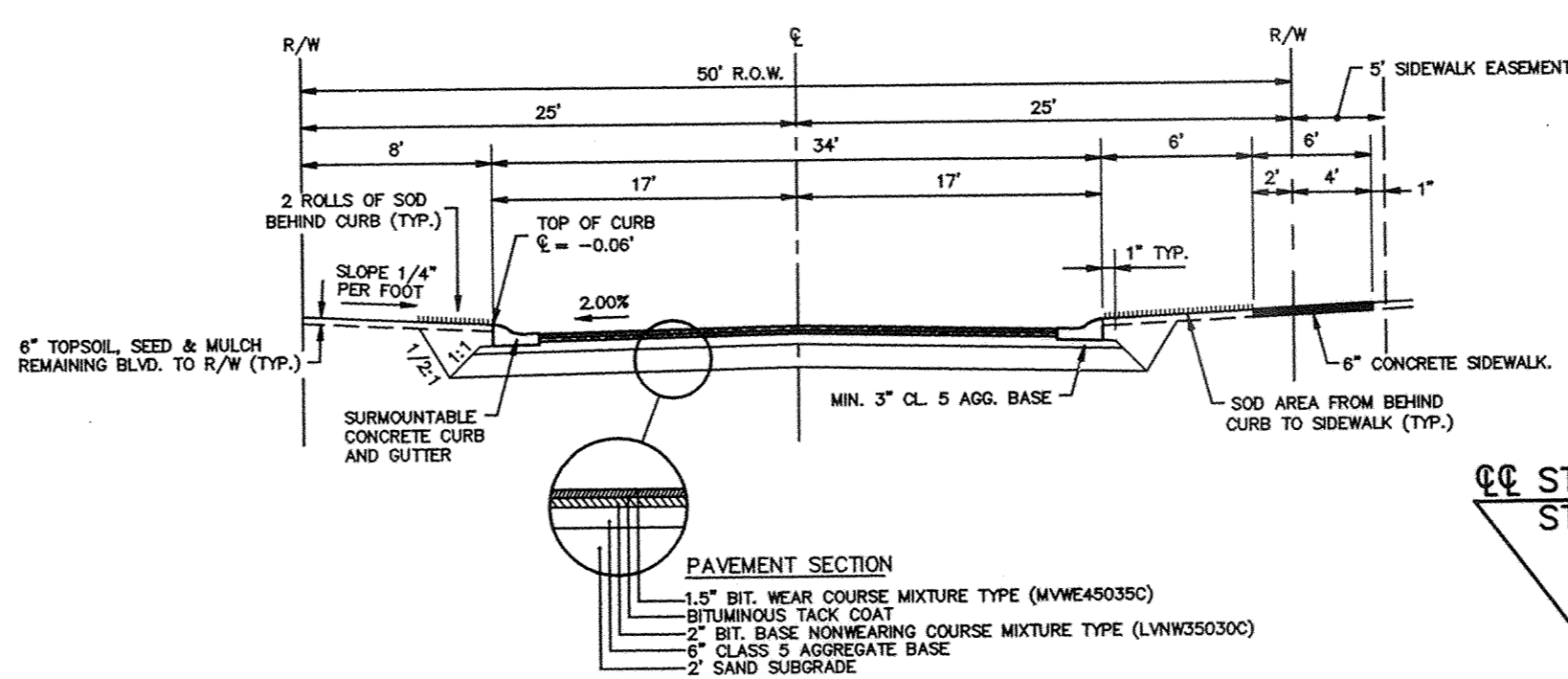


TEMPORARY STREET SECTION
(WITH BITUMINOUS CURB)

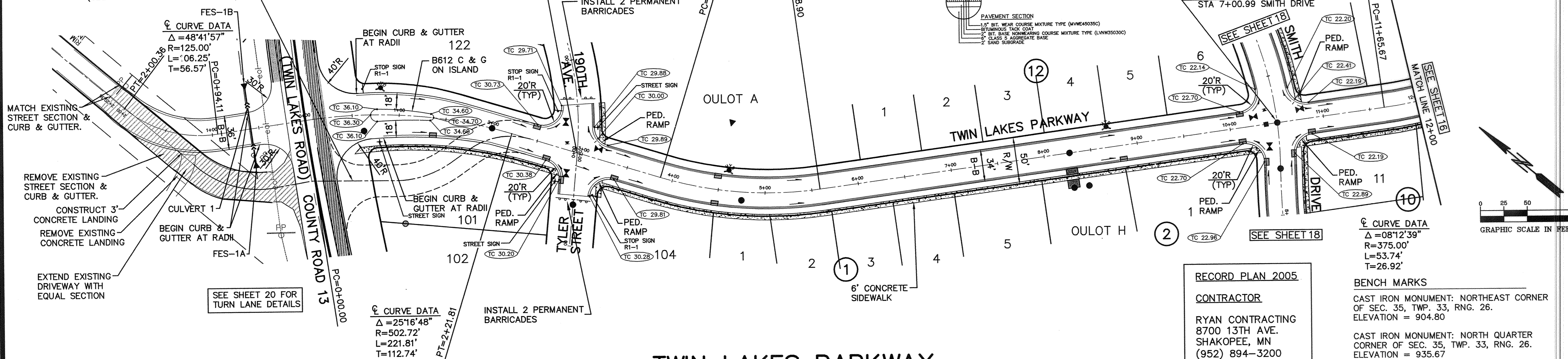


TYPICAL STREET SECTION



CURB TYPES

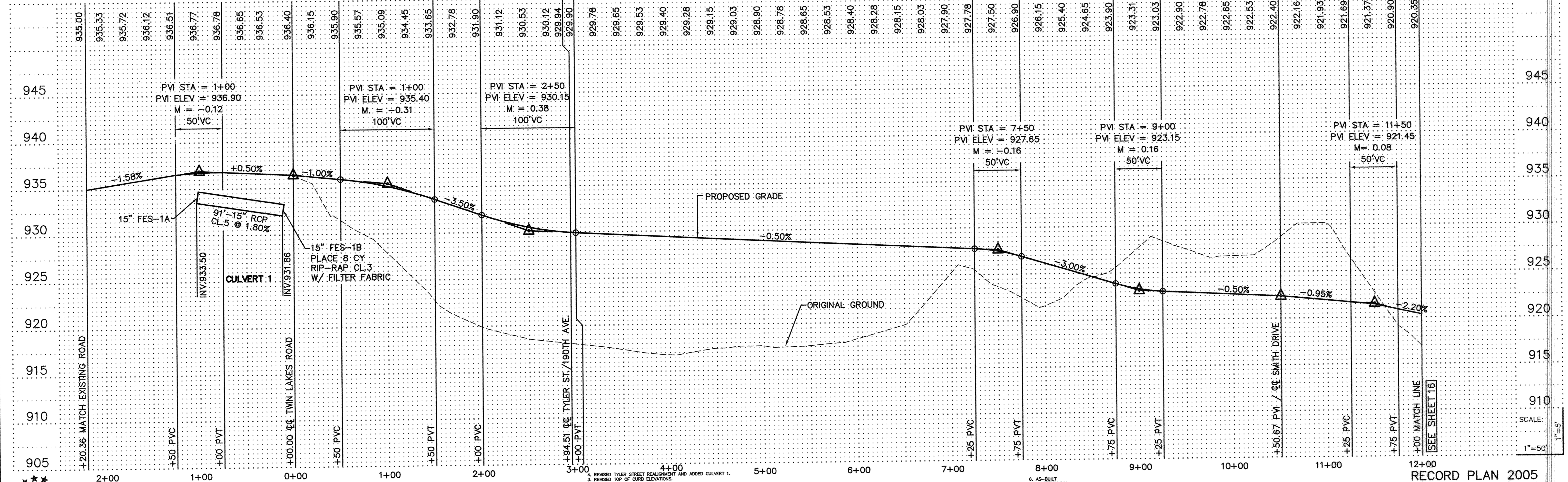
- DENOTES SURMOUNTABLE CONCRETE CURB & GUTTER
 - DENOTES B618 CONCRETE CURB & GUTTER
 - DENOTES B612 CONCRETE CURB & GUTTER
- NOTE: TOP OF CURB ELEV. ARE THE ACTUAL ELEV'S FOR THE TYPE OF CURB SHOWN.



TWIN LAKES PARKWAY

RECORD PLAN 2005
CONTRACTOR
RYAN CONTRACTING
8700 13TH AVE.
SHAKOPEE, MN
(952) 894-3200

BENCH MARKS
CAST IRON MONUMENT: NORTHEAST CORNER OF SEC. 35, TWP. 33, RNG. 26. ELEVATION = 904.80
CAST IRON MONUMENT: NORTH QUARTER CORNER OF SEC. 35, TWP. 33, RNG. 26. ELEVATION = 935.67



<p>PIONEER engineering 201 85th Avenue NW Coon Rapids, MN 55433 (763) 765-1880 FAX: 763-1883 LAND SURVEYORS - LAND DESIGNERS LAND PLANNERS - LANDSCAPE ARCHITECTS 2422 Enterprise Drive Minnetonka, MN 55301 (952) 881-1914 FAX: 681-9488</p>	<p>I hereby certify that this plan was prepared by me or under my direct supervision and that I am a duly Licensed Professional Engineer under the laws of the State of Minnesota.</p>	<p>Name: <i>Paul J. Chmiele</i> Reg. No.: 19860 Date: 7/16/04</p>	<p>Revisions: 1. 9/27/04 2. 2/3/04 3. 10/20/04 4. 11/4/04</p>	<p>Date: 7/16/04 Designed: BJK Drawn: SAG</p>	<p>SHEET TITLE: STREET CONSTRUCTION</p>	<p>OWNER: RYAN CONTRACTING CO. 8700 13TH AVENUE EAST SHAKOPEE, MINNESOTA 55379</p>	<p>PROJECT: TWIN LAKES ESTATES ELK RIVER</p>	<p>SHEET 15 OF 24 SHEETS</p>
	<p>RECORD PLAN 2005</p>							