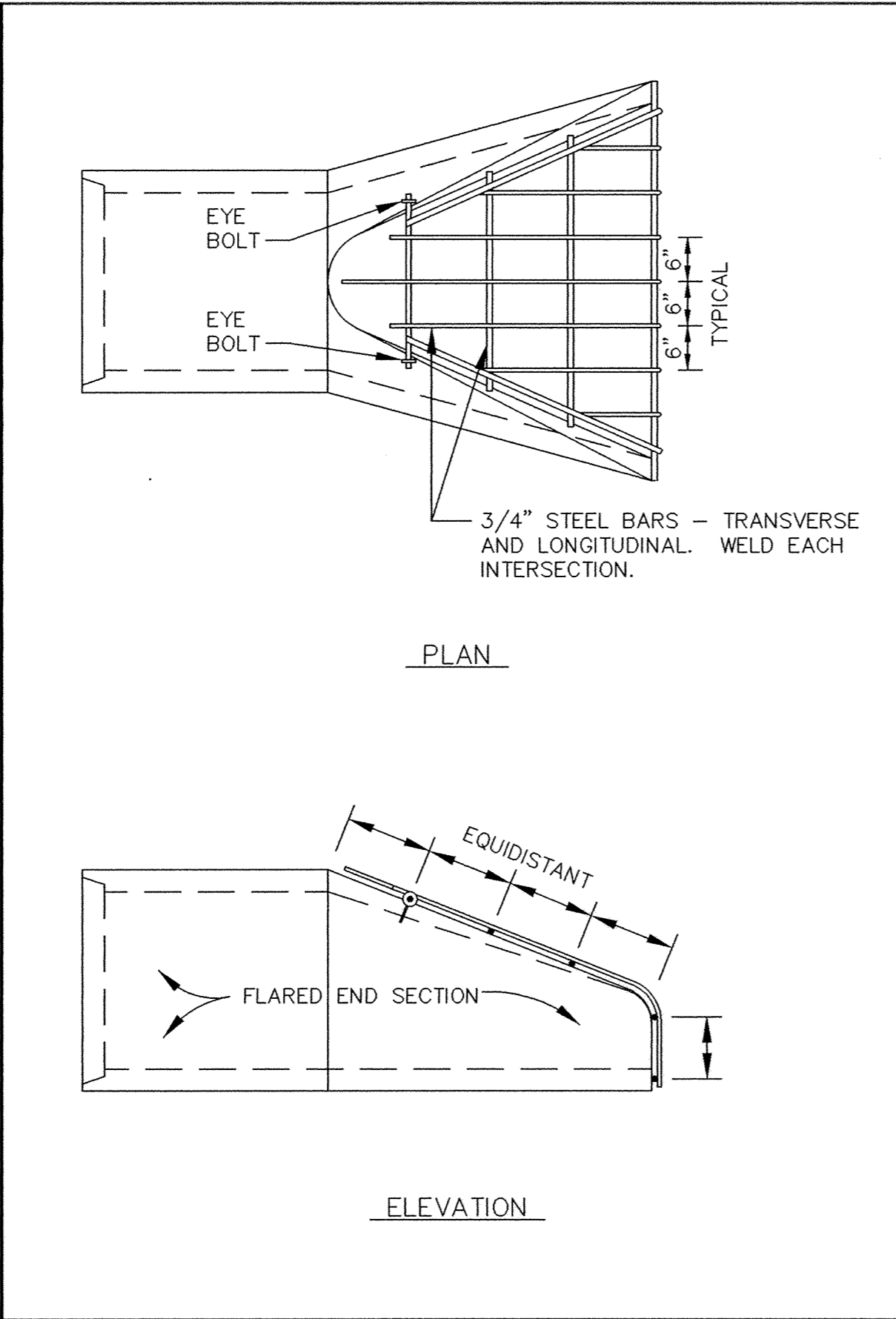
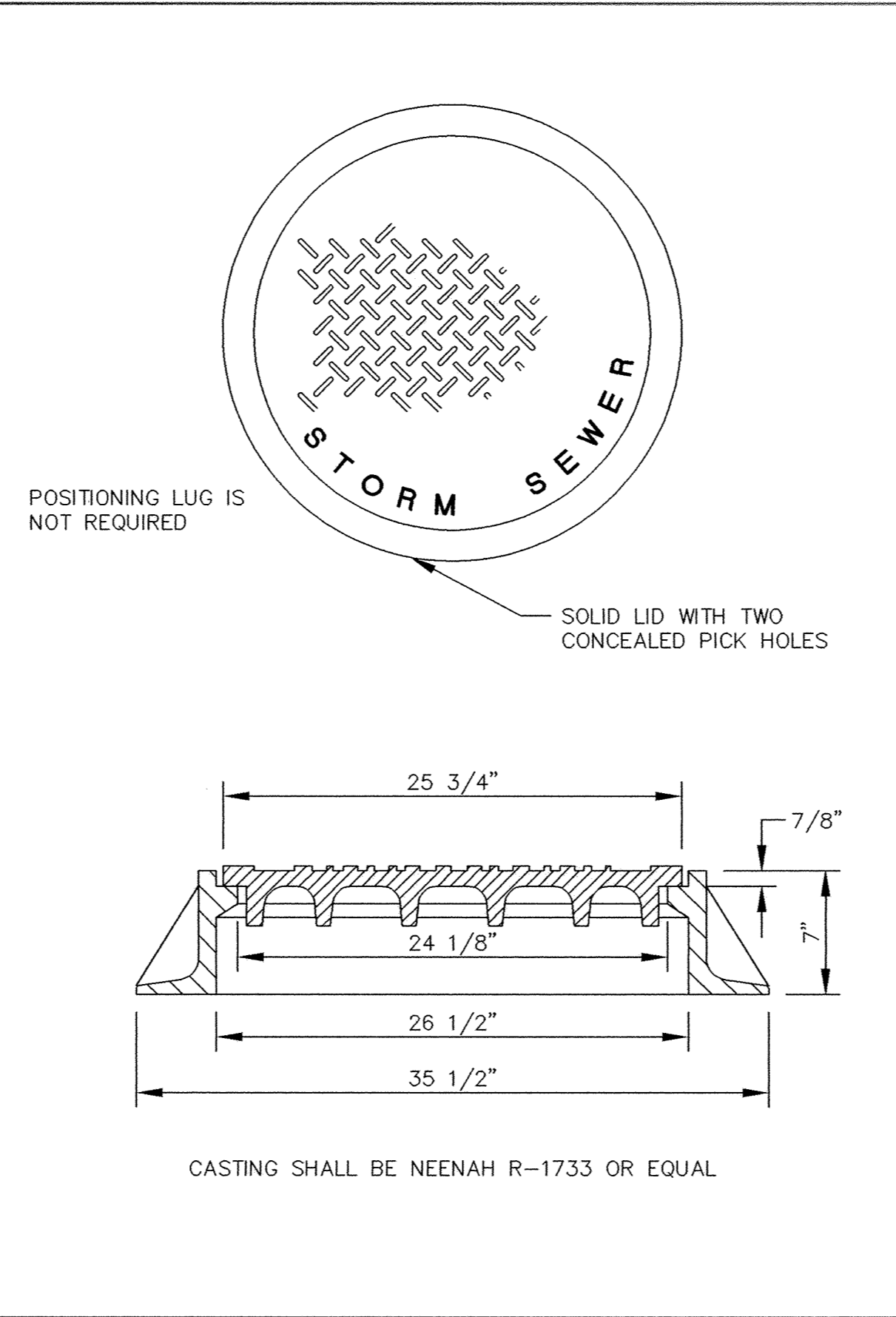


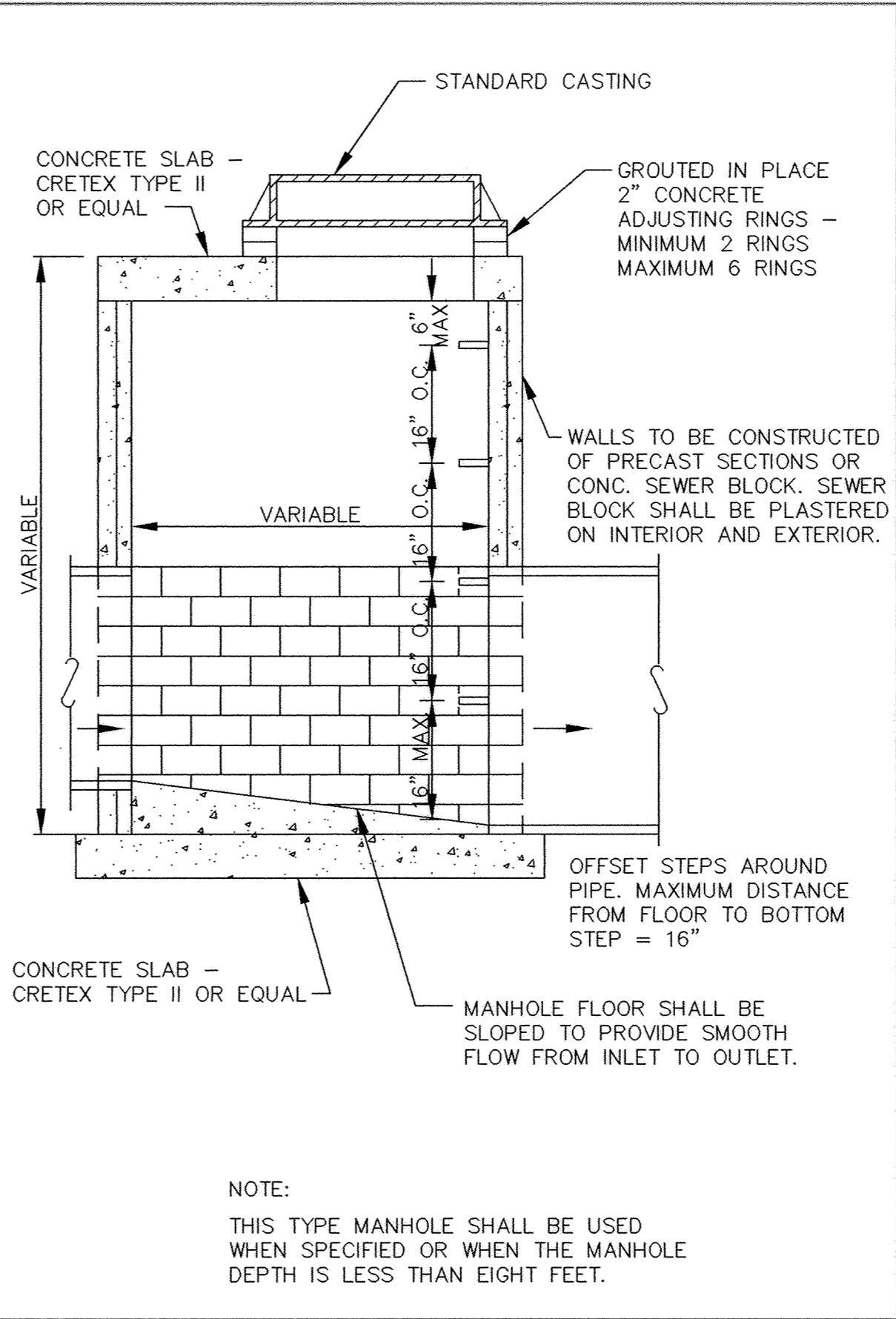
RIP-RAP INSTALLATION



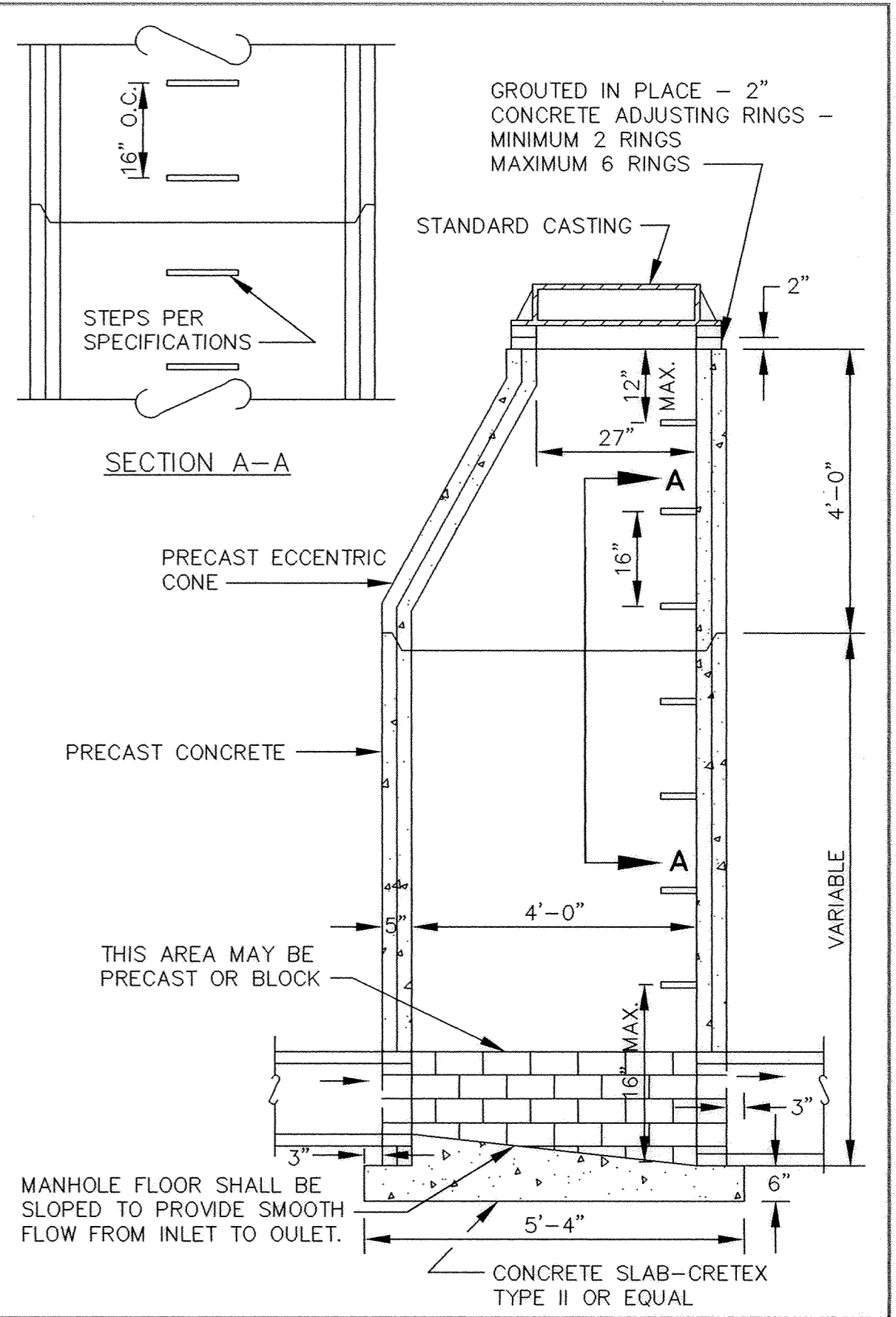
TRASH GUARD



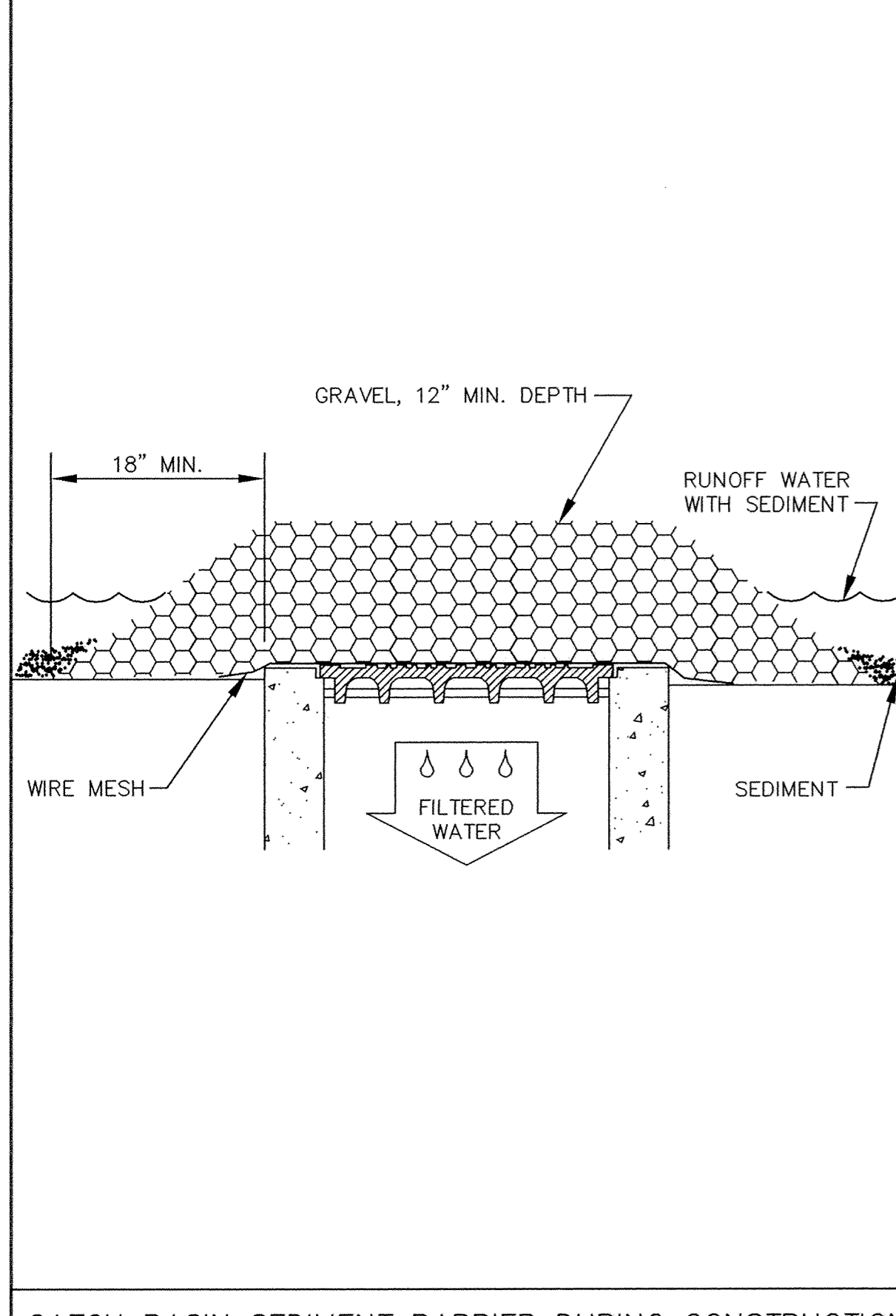
STANDARD MANHOLE CASTING



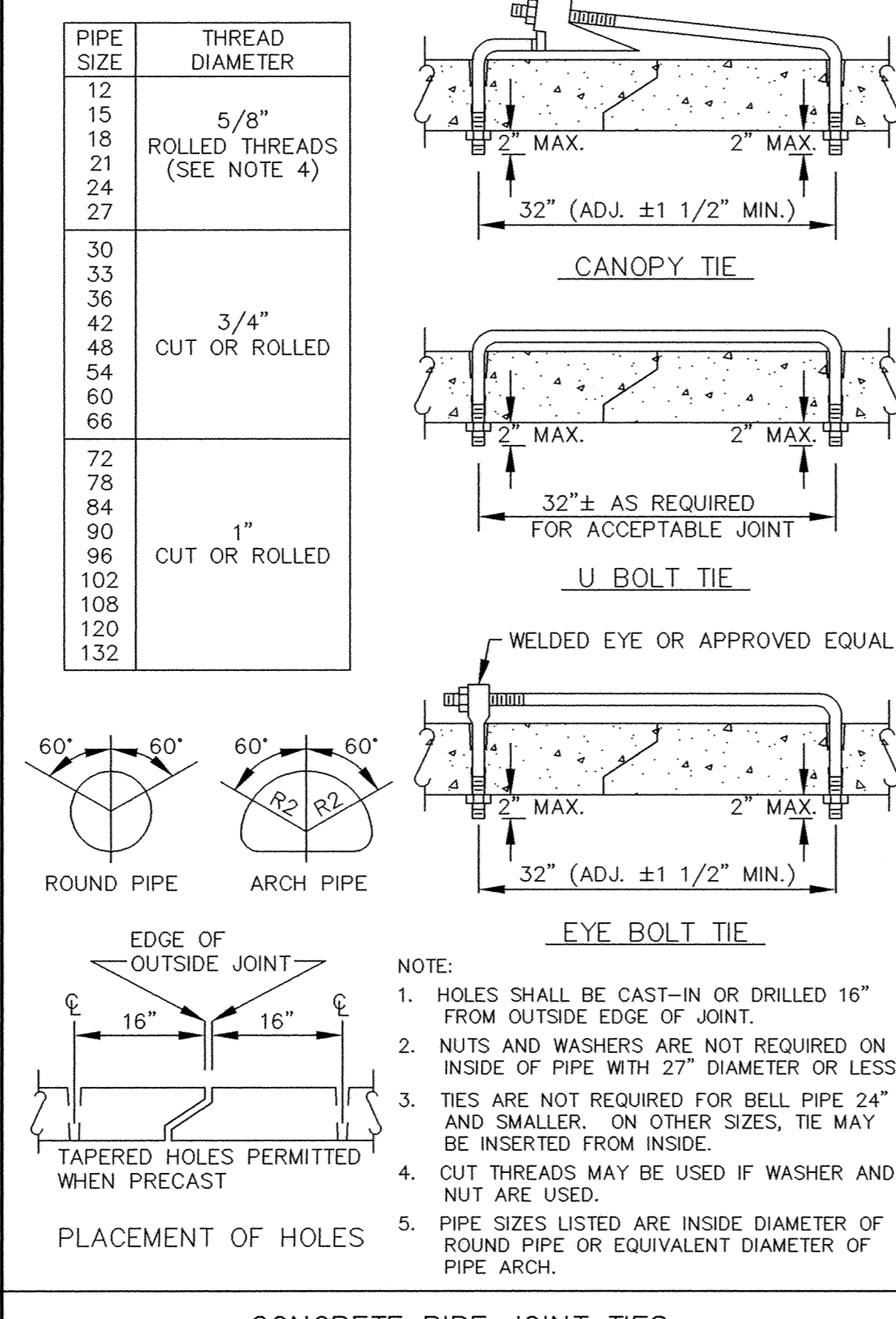
SLAB TOP MANHOLE



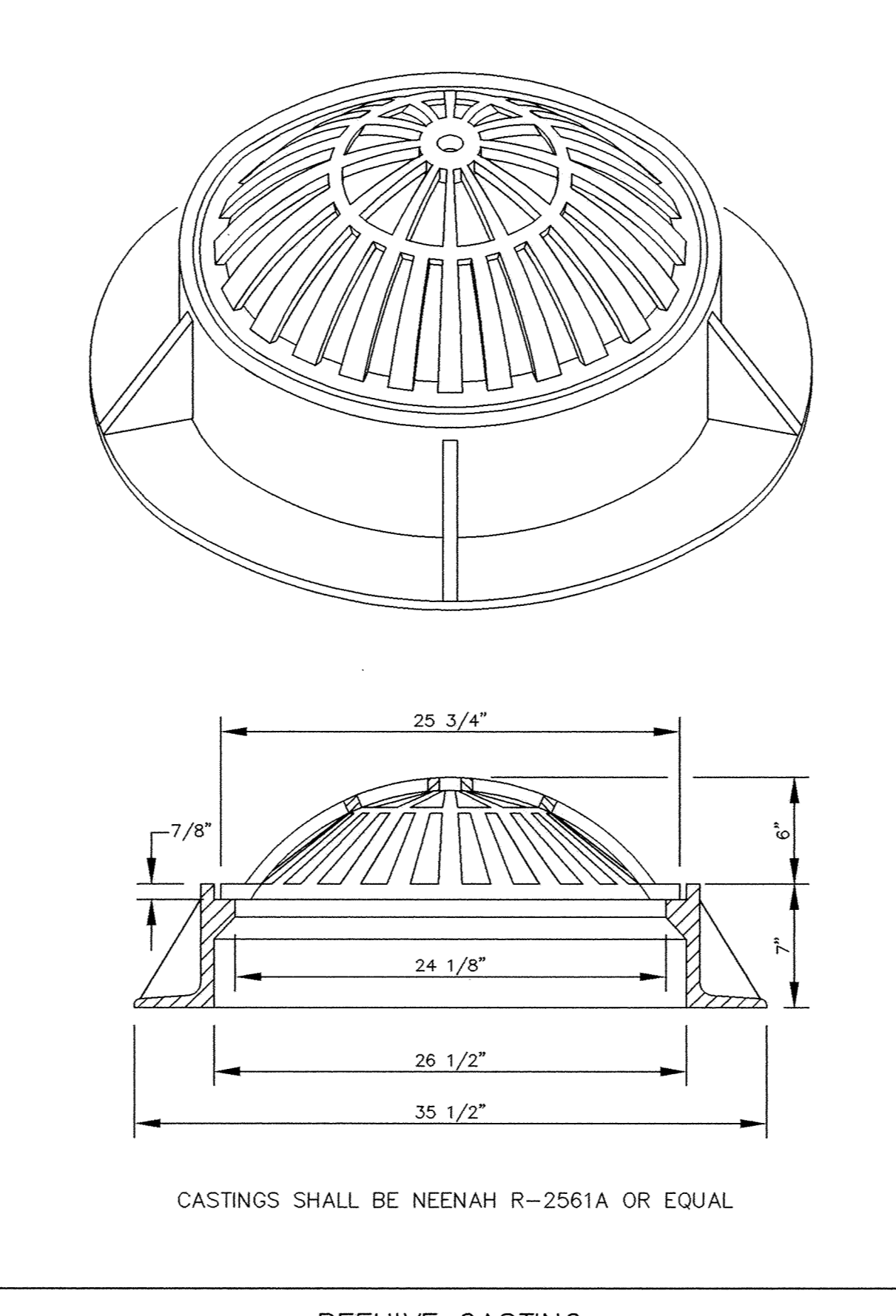
STANDARD MANHOLE



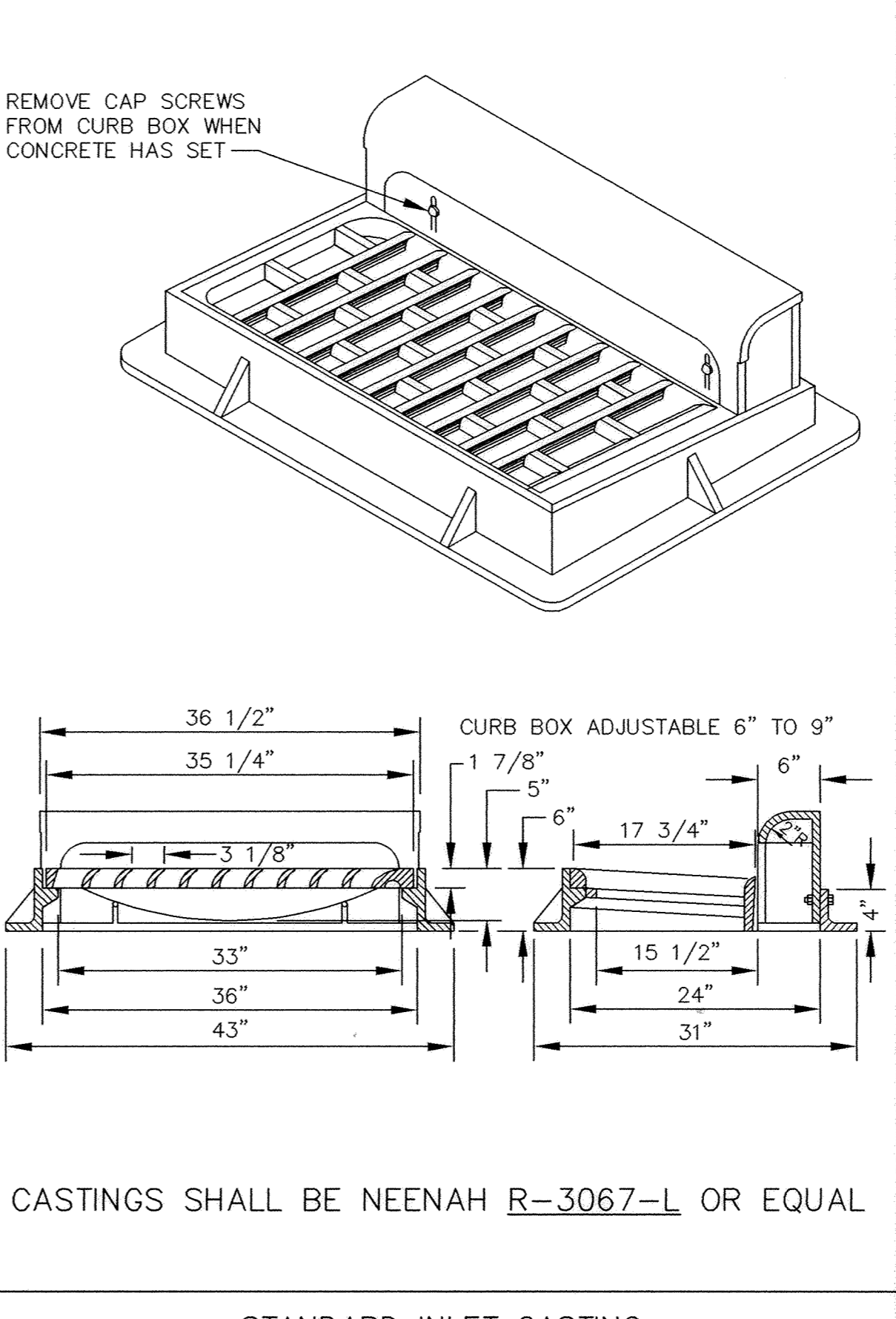
CATCH BASIN SEDIMENT BARRIER DURING CONSTRUCTION



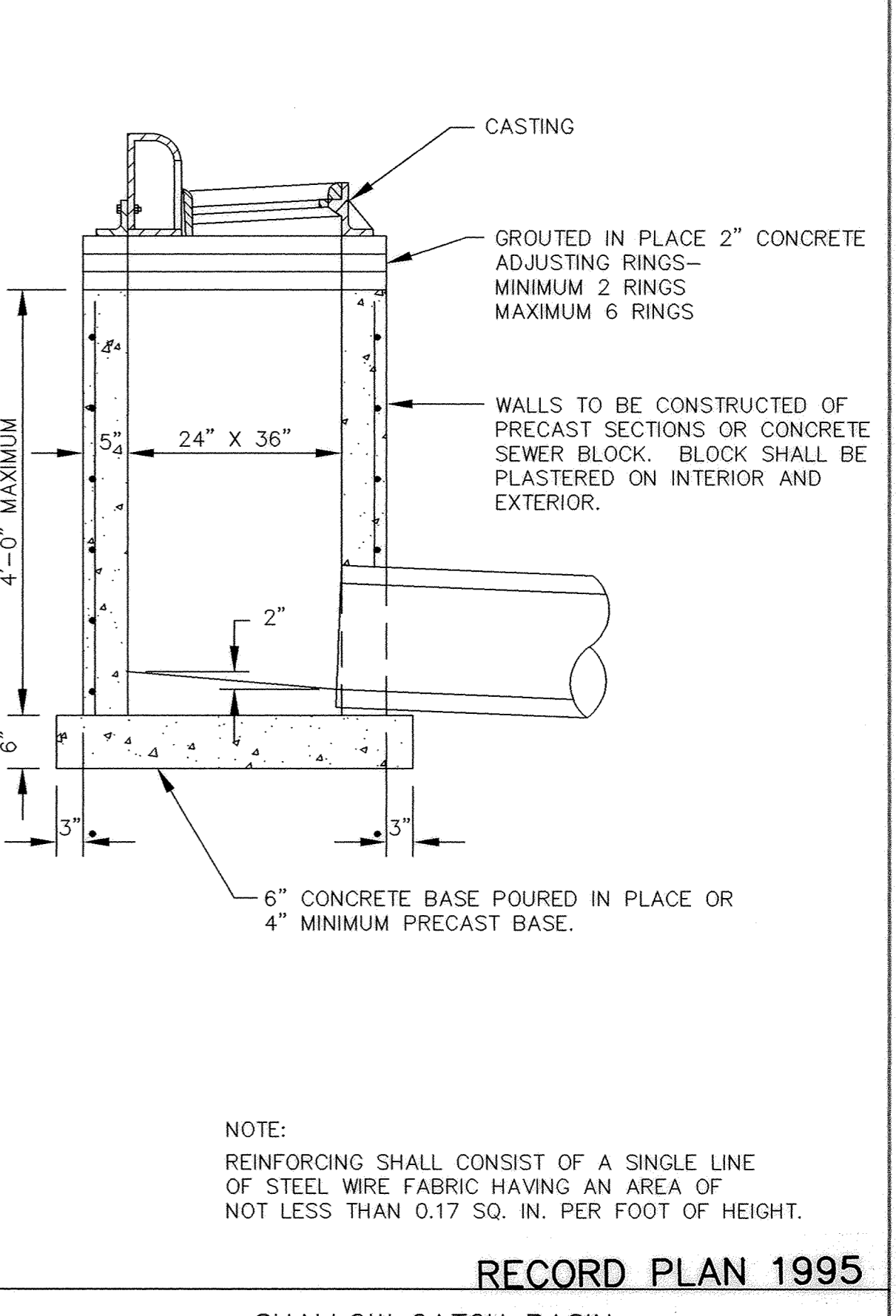
CONCRETE PIPE JOINT TIES



BEEHIVE CASTING



STANDARD INLET CASTING



SHALLOW CATCH BASIN

I HEREBY CERTIFY THAT THIS PLAN, SPECIFICATION, OR REPORT WAS PREPARED BY ME OR UNDER MY DIRECT SUPERVISION AND THAT I AM A DULY REGISTERED PROFESSIONAL ENGINEER UNDER THE LAWS OF THE STATE OF MINNESOTA.

*Janet Boettler*  
 DATE 4-29-94 REG. NO. 13029

1326 ENERGY PARK DRIVE  
 ST. PAUL, MINNESOTA 55108  
 (612) 644-4389

9800 SHELARD PARKWAY  
 MINNEAPOLIS, MINNESOTA 55441  
 (612) 546-0432

DATE	DESCRIPTION	DESIGNED
		PS
		CLS

REVISIONS	DATE	DESCRIPTION

GRAPHIC SCALE  
 0 HORIZ. N/A  
 0 VERT.

CITY OF ELK RIVER  
 SCHOOL STREET, JACKSON AVENUE, FREEPORT AVENUE,  
 TURN LANES, U.S. HWY NO. 10 AND U.S. HWY NO. 169  
 STORM SEWER DETAILS

DATE APRIL 1994 SHEET 73 OF 74 SHEETS PROJECT NO. 230-216