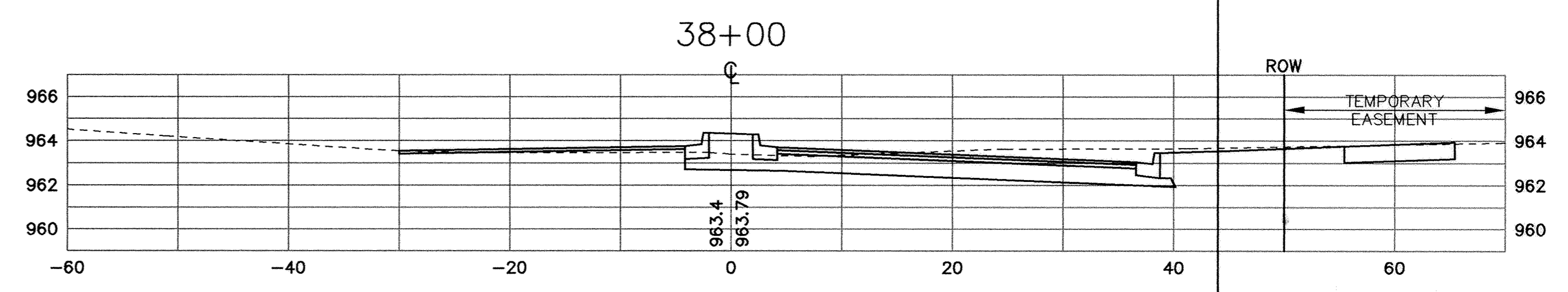
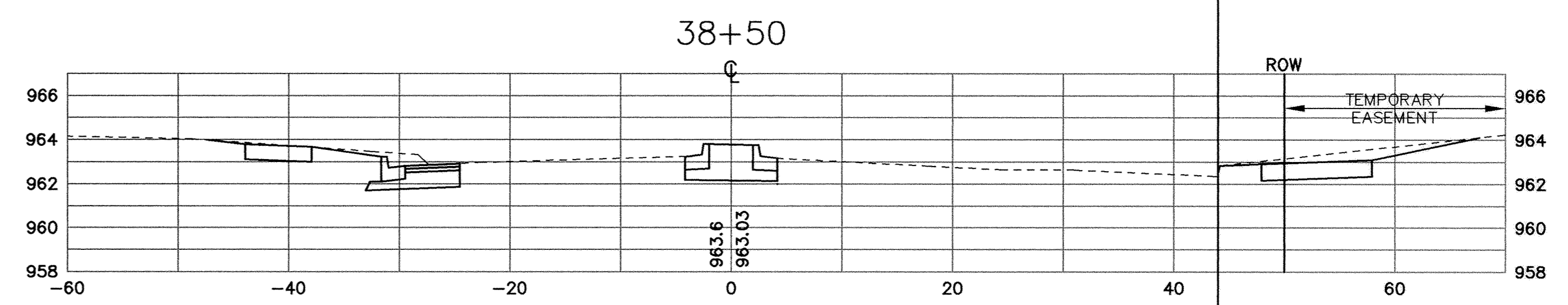
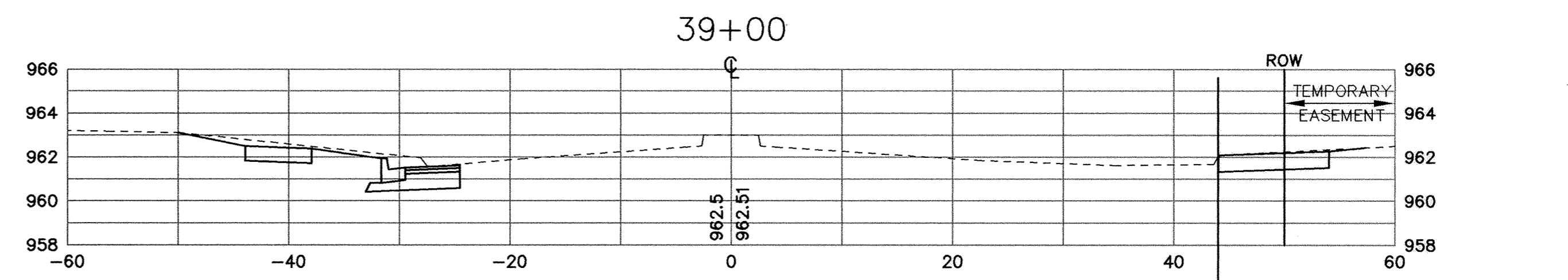
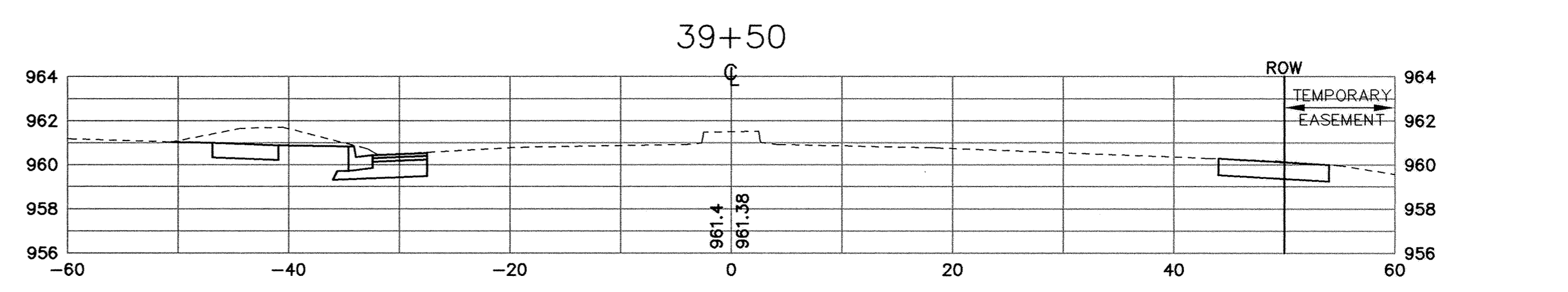
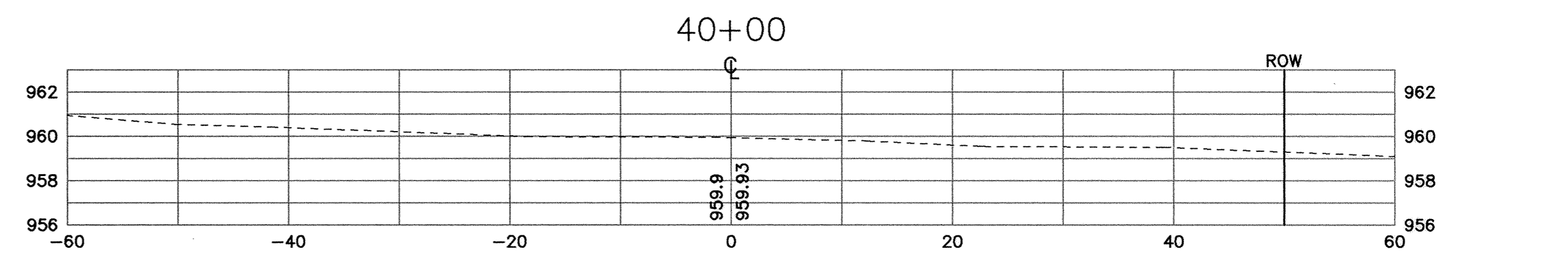
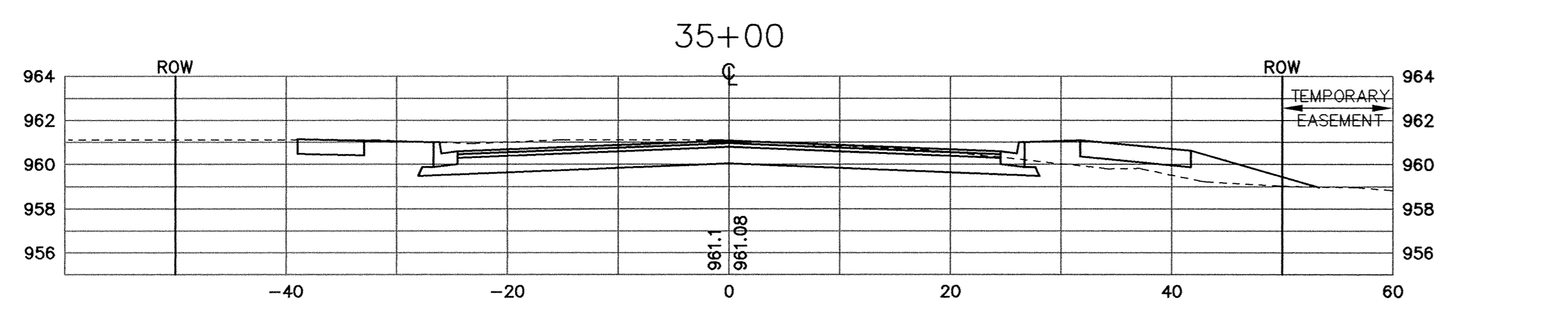
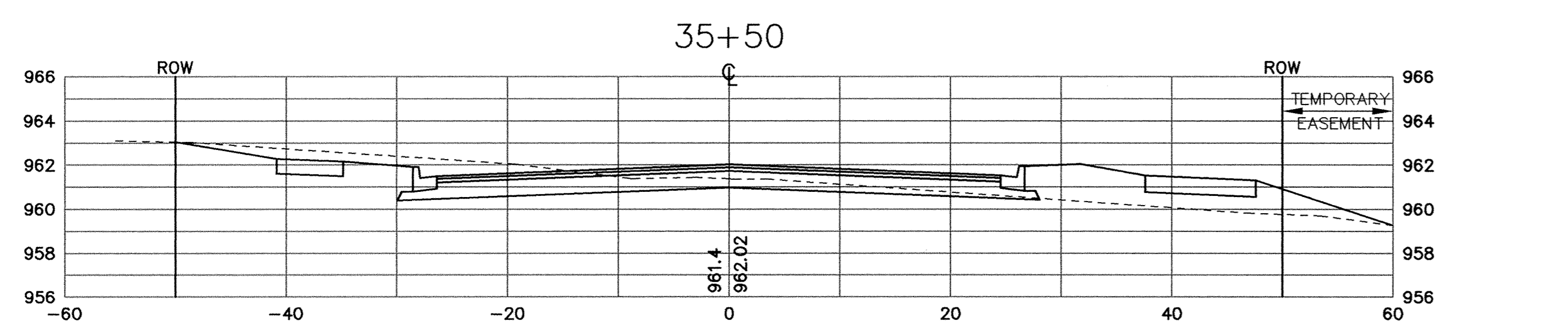
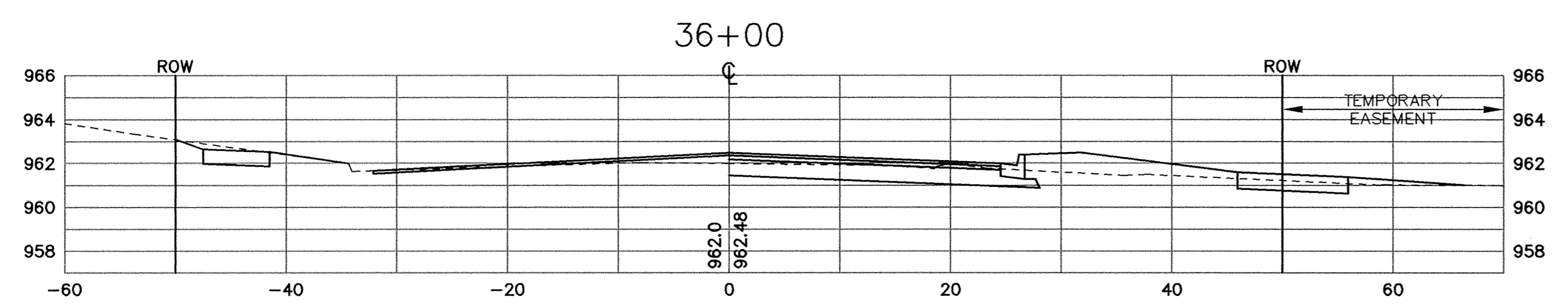
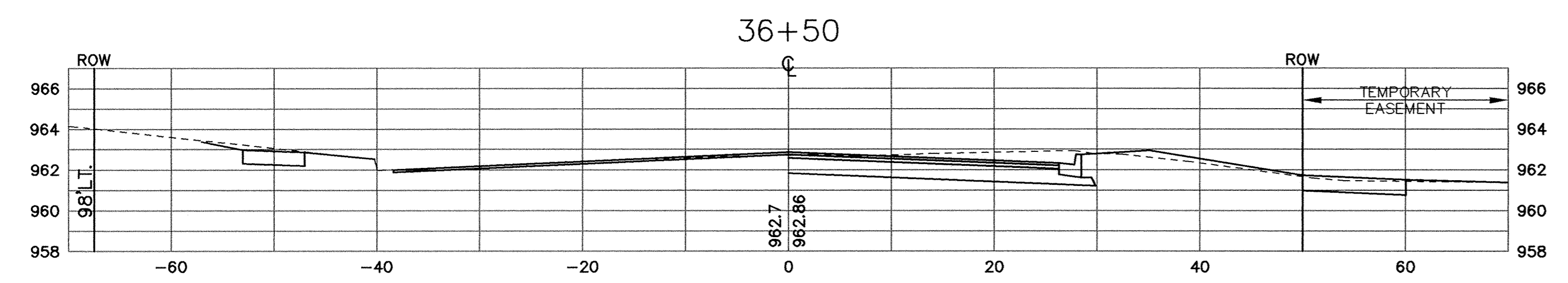
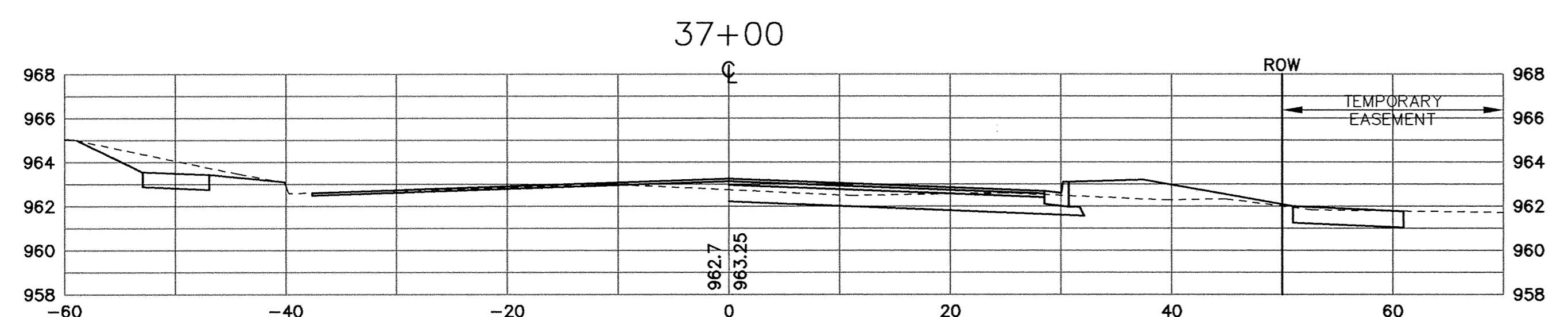
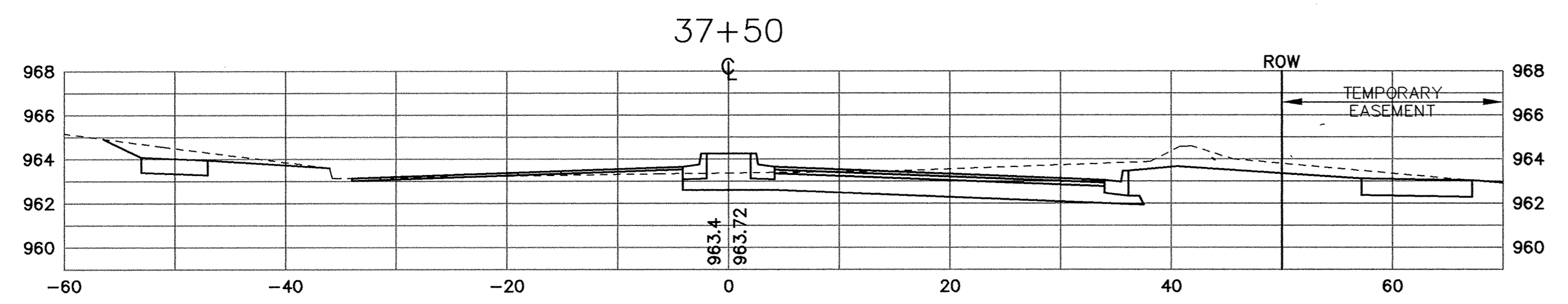


3-D PRODUCTS • NEW HOPE, MINNESOTA  
RENDERED BY PART NUMBER 855

3-D PRODUCTS • NEW HOPE, MINNESOTA  
RENDERED BY PART NUMBER 855

3-D PRODUCTS • NEW HOPE, MINNESOTA  
RENDERED BY PART NUMBER 855

3-D PRODUCTS • NEW HOPE, MINNESOTA  
RENDERED BY PART NUMBER 855



RECORD PLAN 1995

CITY OF ELK RIVER  
 JACKSON AVENUE RECONSTRUCTION  
 SCHOOL ST. TO T.H. 169  
 S.A.P. 204-104-04 35+00 40+00

DATE APRIL 1994 SHEET 41 OF 74 SHEETS PROJECT NO. 230-216

DATE	DESCRIPTION	DESIGNED	CHECKED	DRAWN

GRAPHIC SCALE  
 0 HORIZ. 10  
 0 VERT. 5

1326 ENERGY PARK DRIVE  
 ST. PAUL, MINNESOTA 55108  
 (612) 644-4389

9800 SHELARD PARKWAY  
 MINNEAPOLIS, MINNESOTA 55441  
 (612) 546-0432



I HEREBY CERTIFY THAT THIS PLAN, SPECIFICATION, OR REPORT WAS PREPARED BY ME OR UNDER MY DIRECT SUPERVISION AND THAT I AM A DULY REGISTERED PROFESSIONAL ENGINEER UNDER THE LAWS OF THE STATE OF MINNESOTA.

*Paul Exethler*  
 DATE 4-29-94 REG. NO. 13929