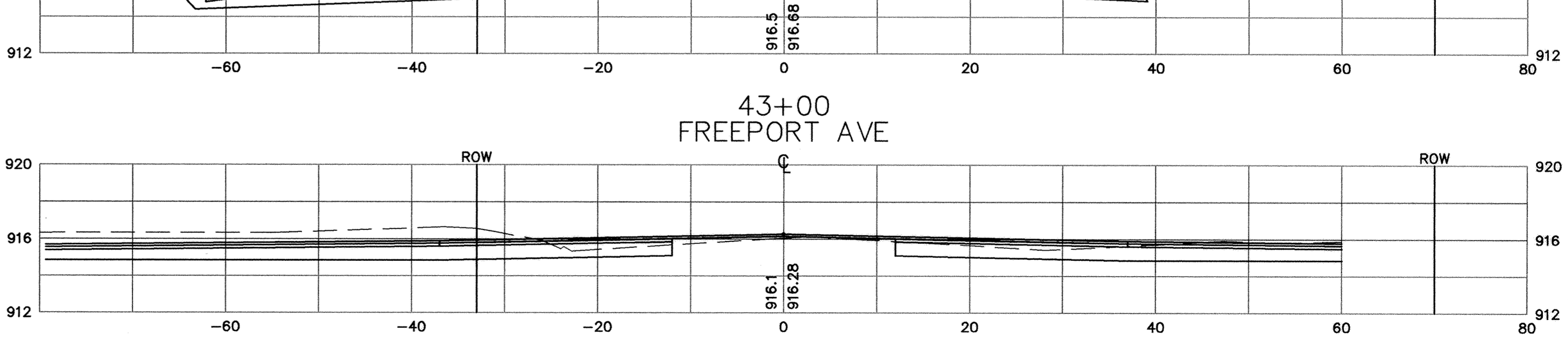
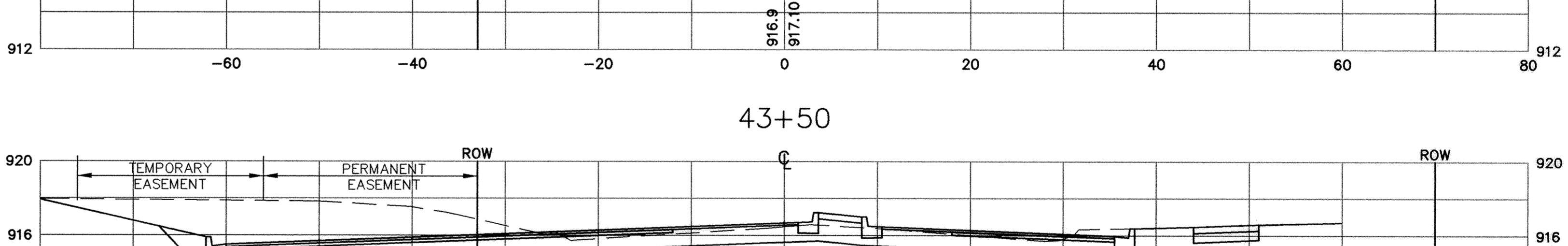
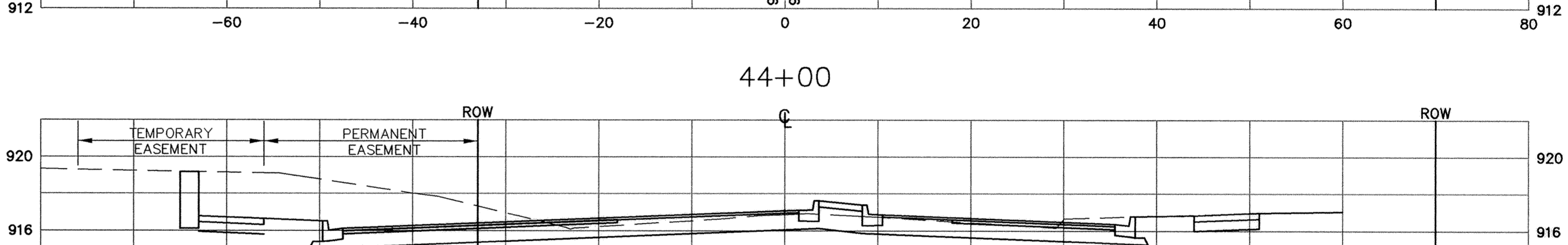
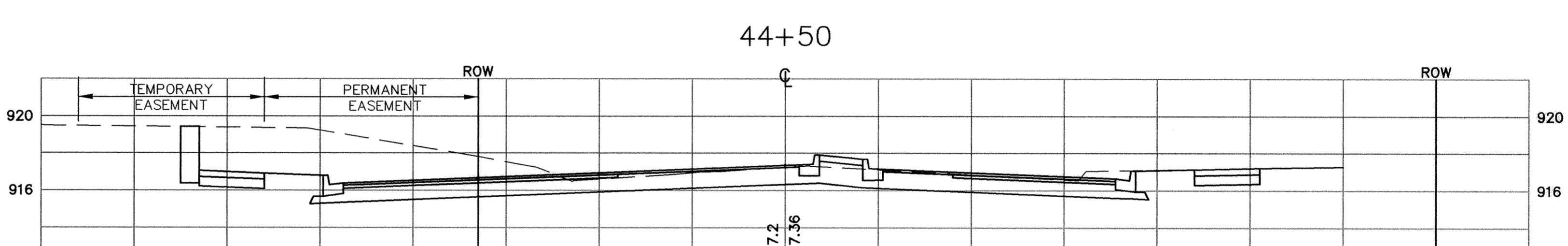
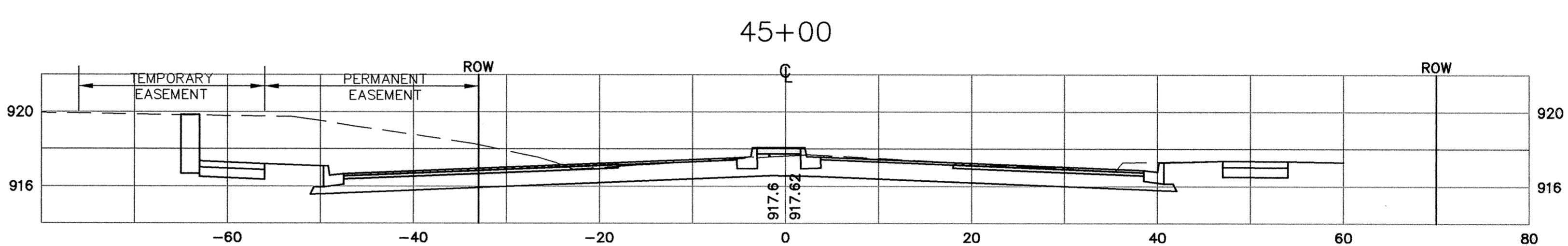
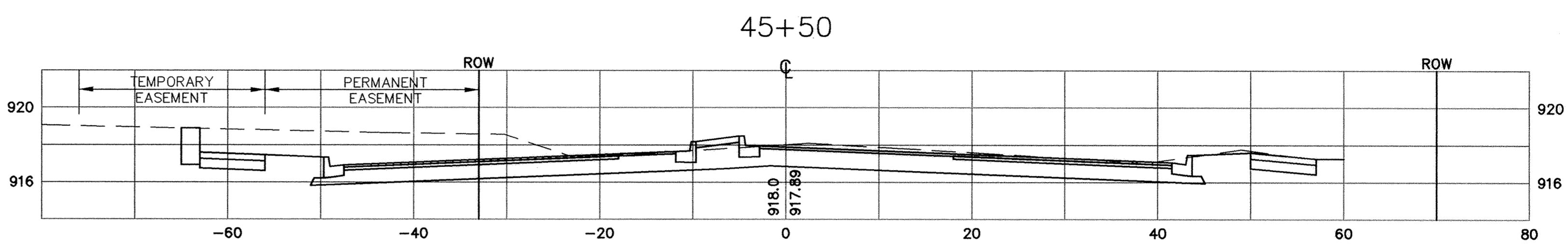
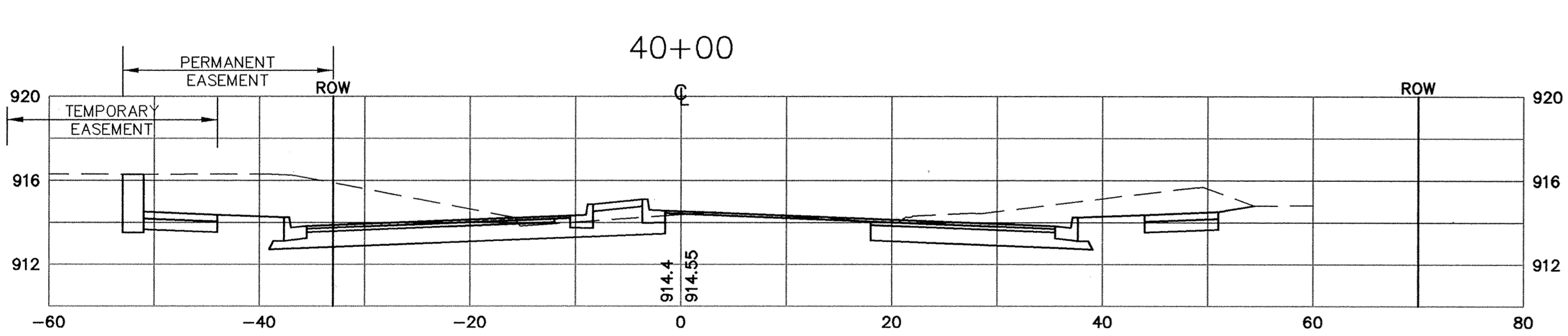
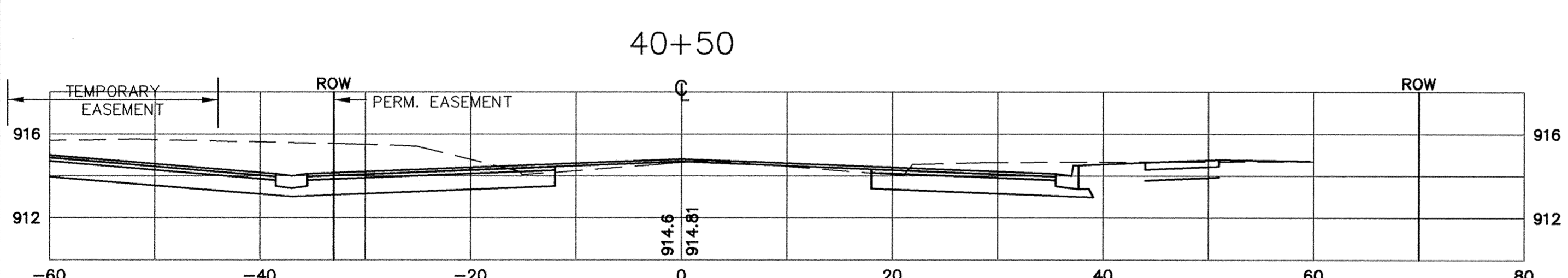
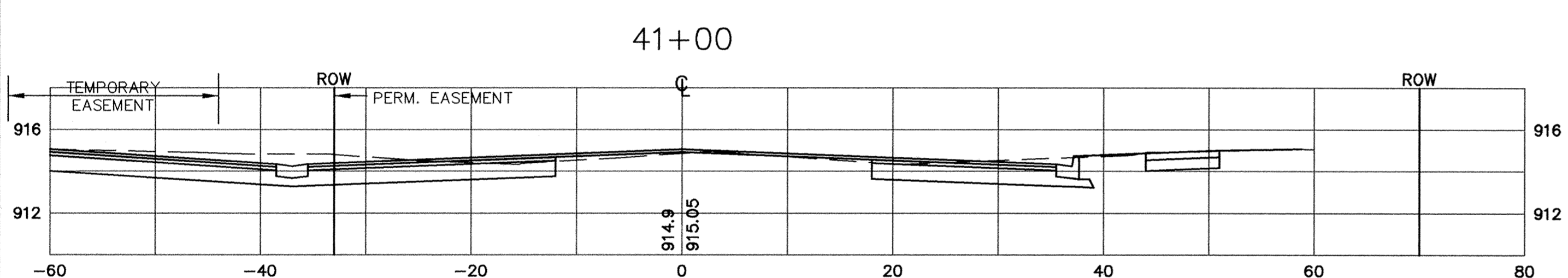
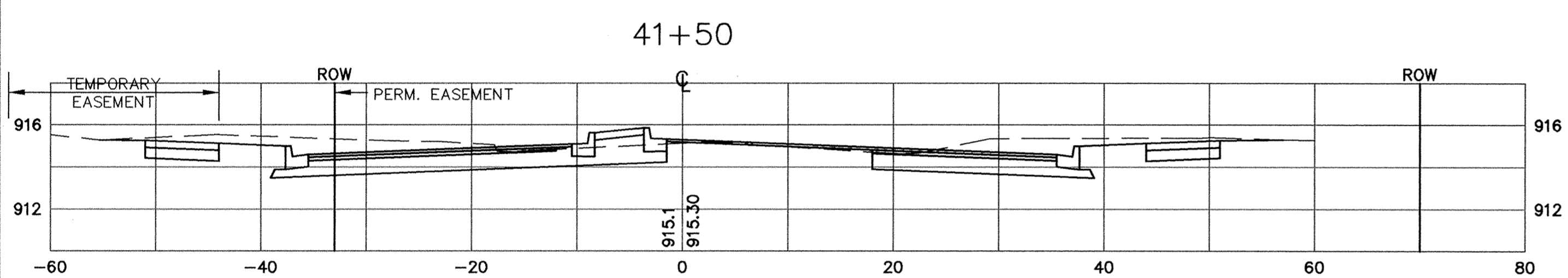
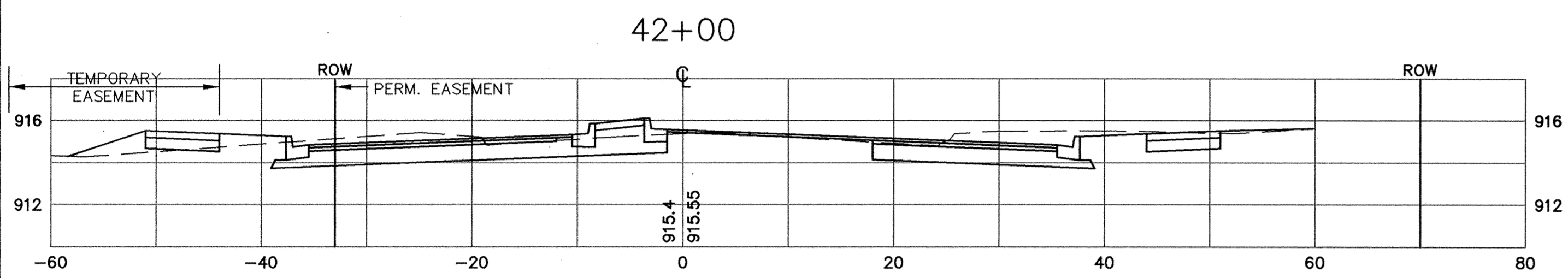
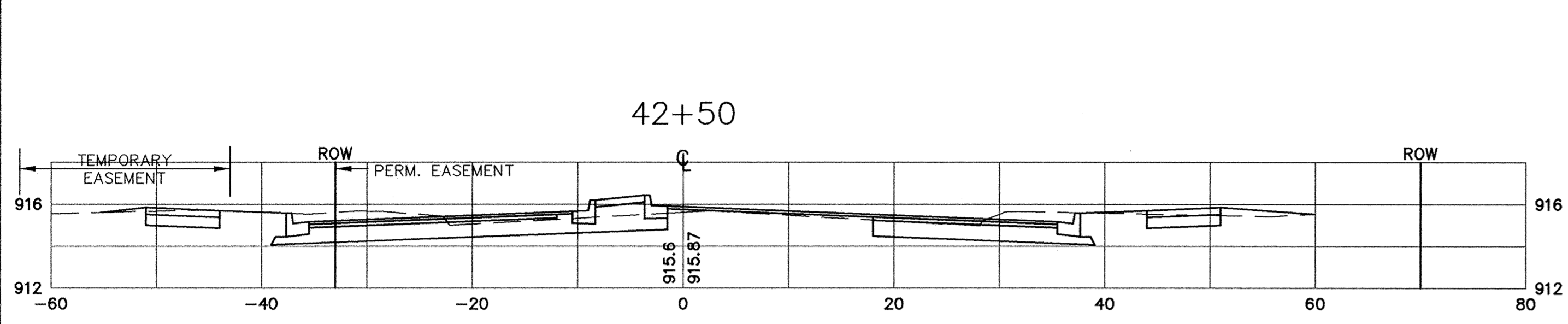


SDCO PRODUCTS • NEW HORN, MINNESOTA  
REVISION BY PART NUMBER 0502

SDCO PRODUCTS • NEW HORN, MINNESOTA  
REVISION BY PART NUMBER 0502

SDCO PRODUCTS • NEW HORN, MINNESOTA  
REVISION BY PART NUMBER 0502

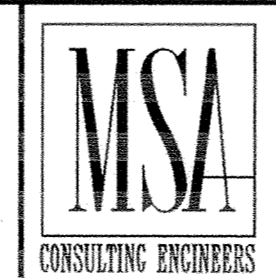
SDCO PRODUCTS • NEW HORN, MINNESOTA  
REVISION BY PART NUMBER 0502



RECORD PLAN 1995

I HEREBY CERTIFY THAT THIS PLAN, SPECIFICATION, OR REPORT WAS PREPARED BY ME OR UNDER MY DIRECT SUPERVISION AND THAT I AM A DULY REGISTERED PROFESSIONAL ENGINEER UNDER THE LAWS OF THE STATE OF MINNESOTA.

*Paul Foeth*  
DATE 6-2-94 REG. NO. 13929



1326 ENERGY PARK DRIVE  
ST. PAUL, MINNESOTA 55108  
(612) 644-4389

9800 SHELARD PARKWAY  
MINNEAPOLIS, MINNESOTA 55441  
(612) 546-0432

REVISIONS	DATE	DESCRIPTION	DESIGNED	CHECKED	DRAWN
	6/2/94	MED. & CURB OFFSET STA. 45+00 & 45+50	PEB		

GRAPHIC SCALE  
0 HORIZ. 10  
0 VERT. 5

CITY OF ELK RIVER  
SCHOOL STREET RECONSTRUCTION  
1000' WEST OF JACKSON TO T.H. 169  
S.A.P. 204-107-04 40+00 TO 45+50

DATE APRIL 1994 SHEET 18 OF 74 SHEETS PROJECT NO. 230-216