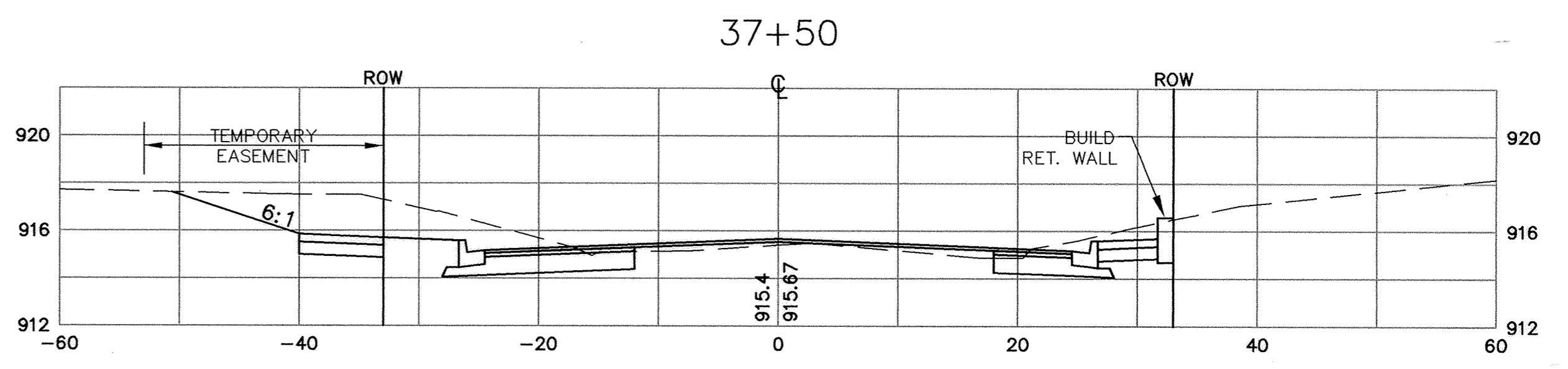
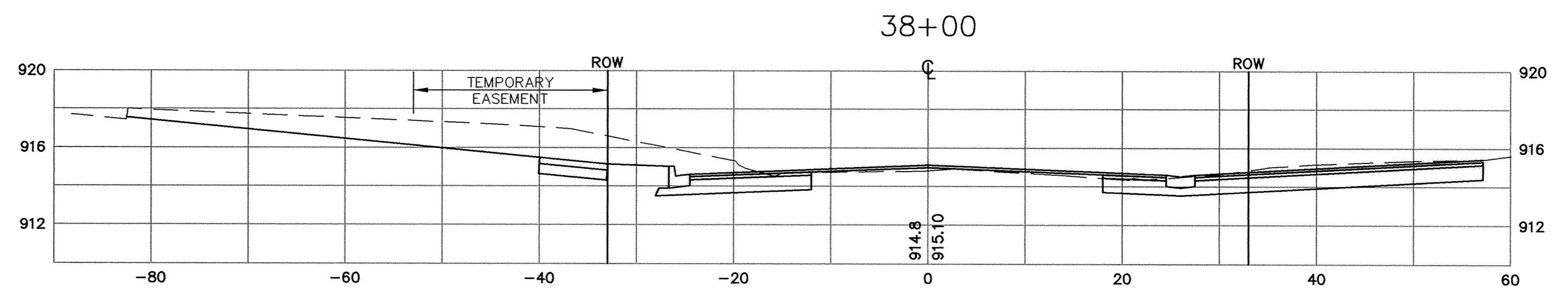
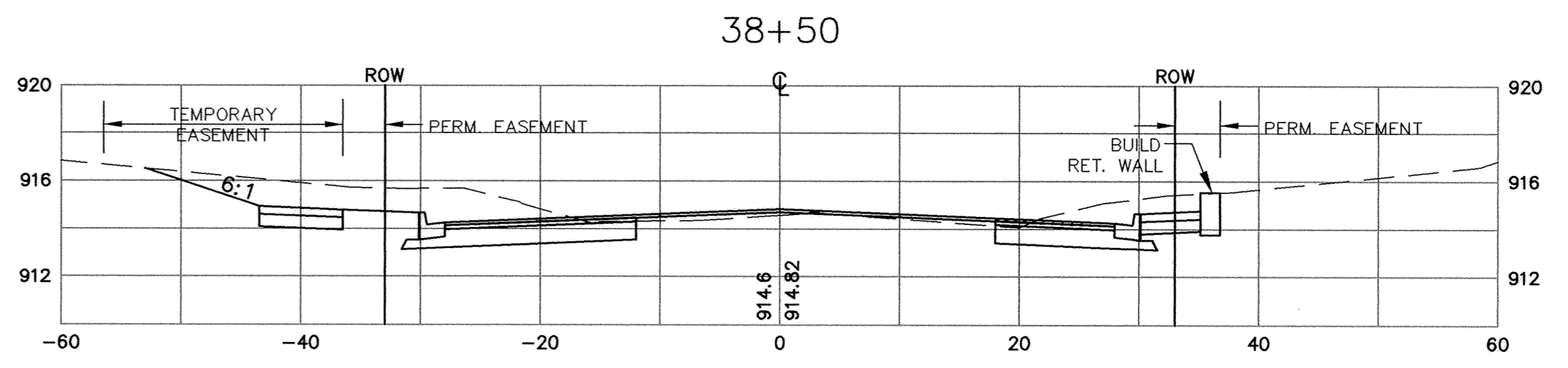
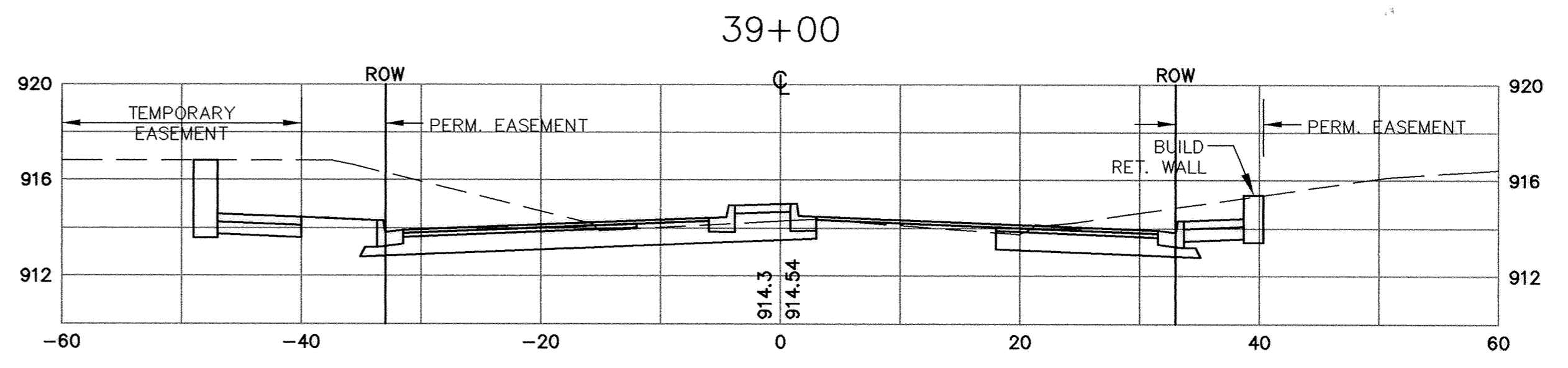
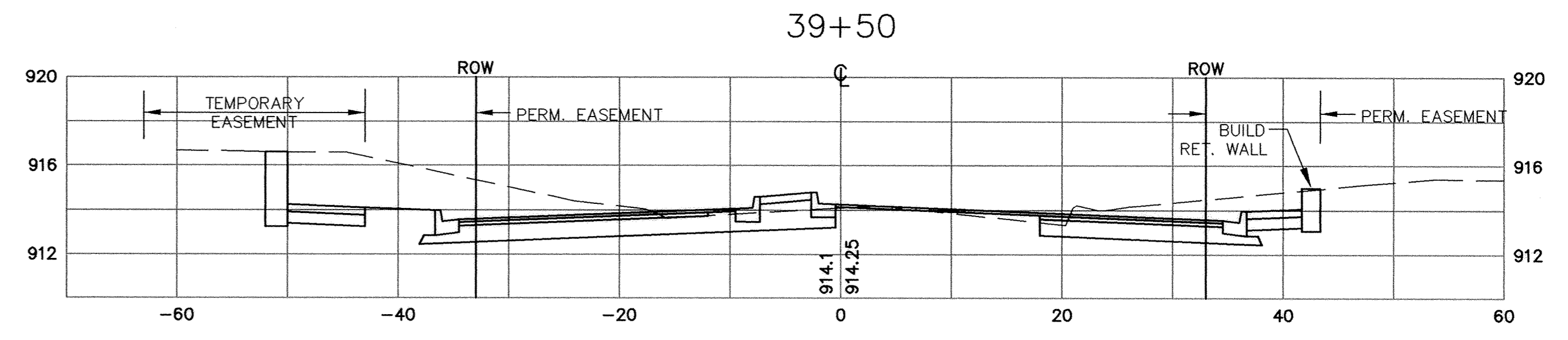
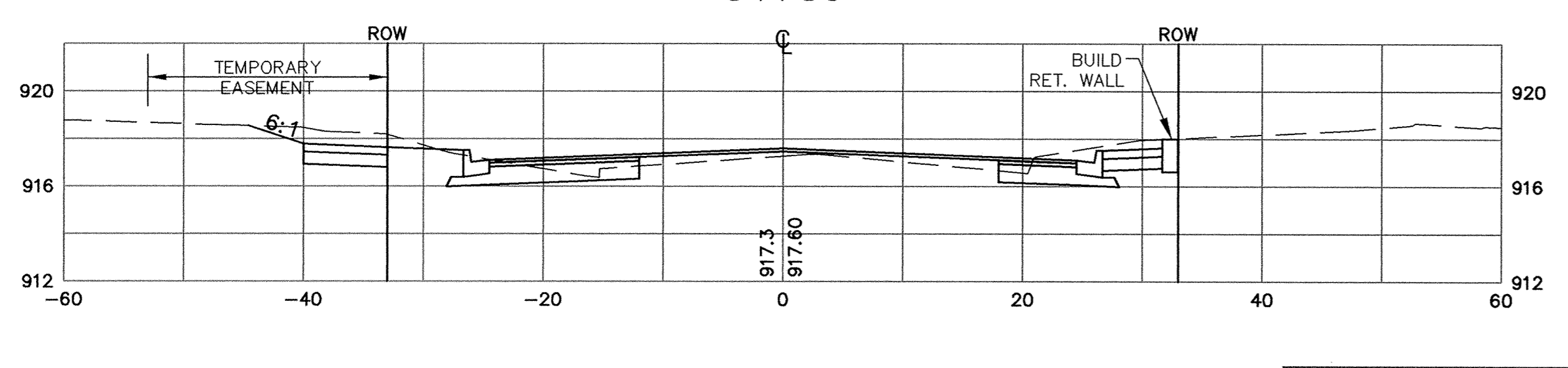
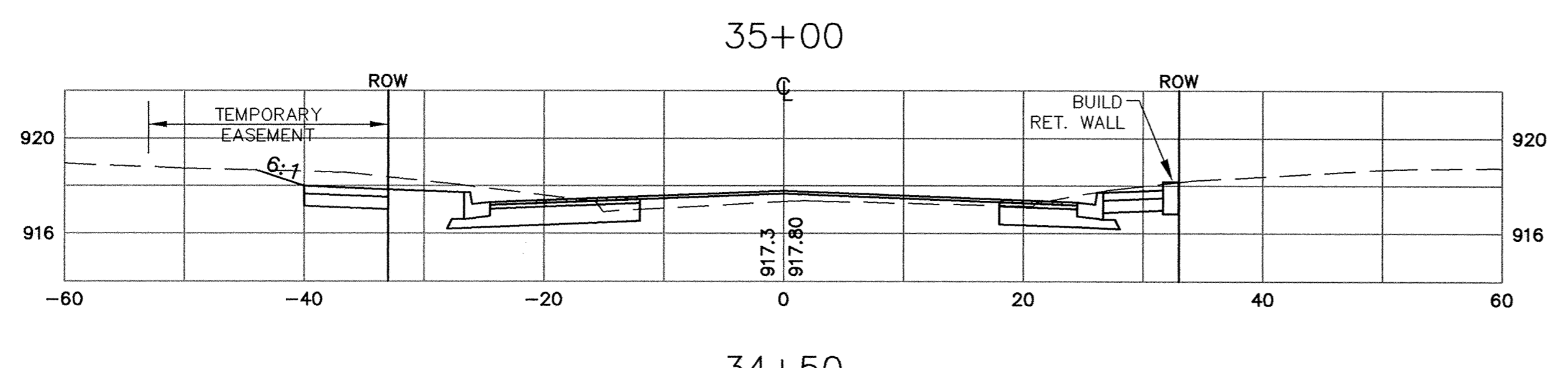
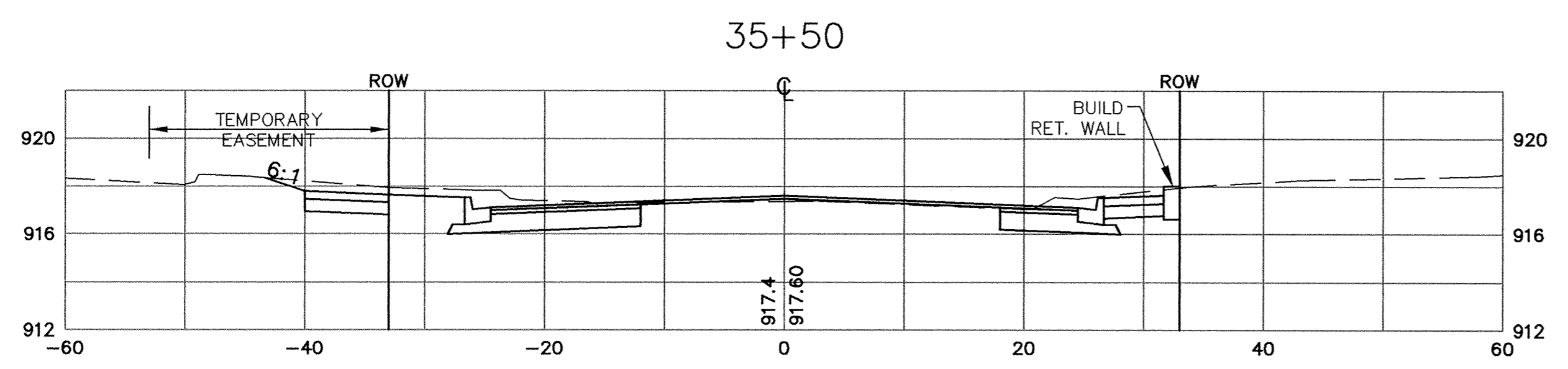
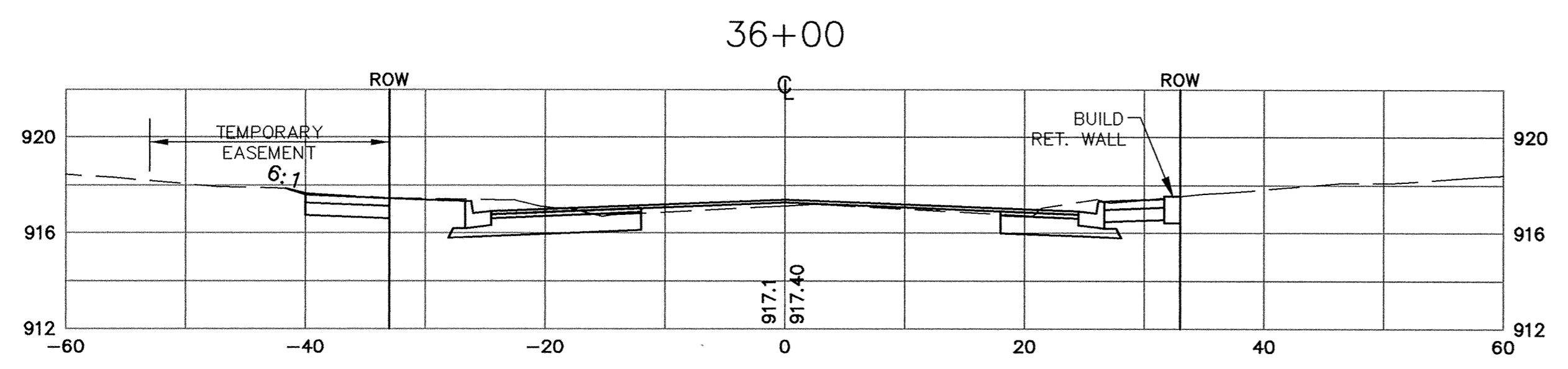
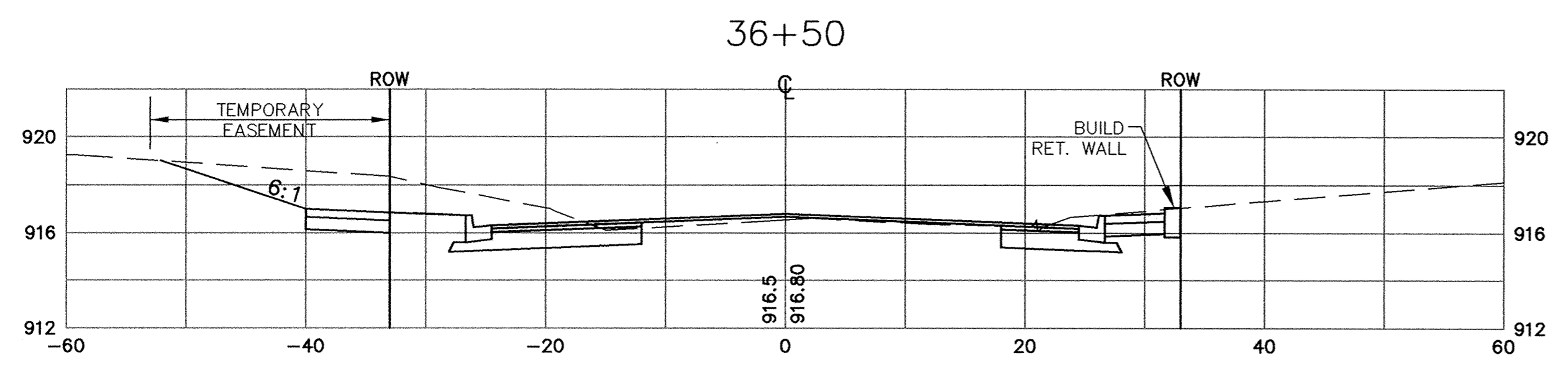
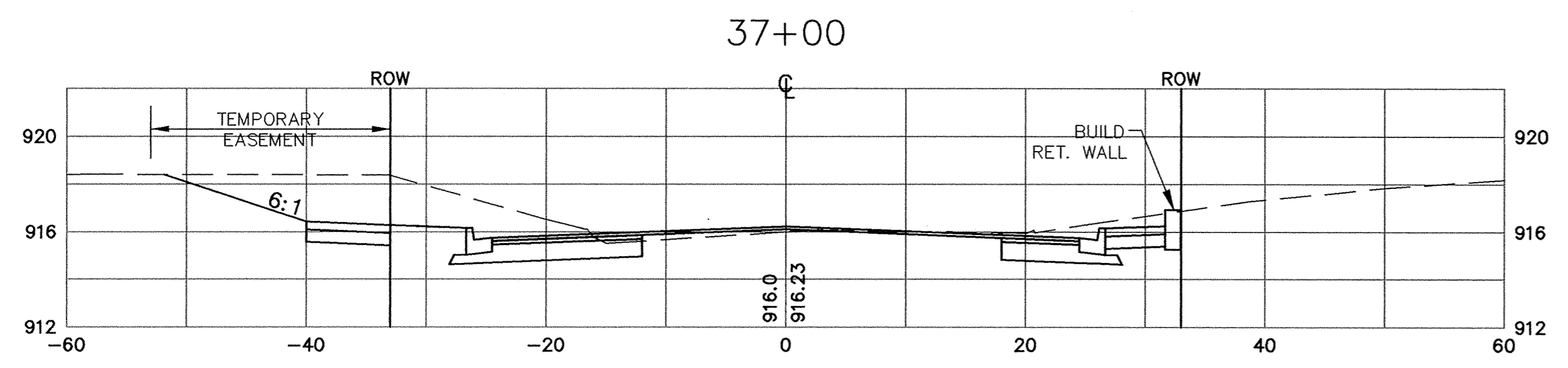


SAICO PRODUCTS • NEW HARBOR, MINNESOTA
REVISIONS BY PART NUMBER 8932
SAICO PRODUCTS • NEW HARBOR, MINNESOTA
REVISIONS BY PART NUMBER 8932
SAICO PRODUCTS • NEW HARBOR, MINNESOTA
REVISIONS BY PART NUMBER 8932
SAICO PRODUCTS • NEW HARBOR, MINNESOTA
REVISIONS BY PART NUMBER 8932



RECORD PLAN 1995

I HEREBY CERTIFY THAT THIS PLAN, SPECIFICATION, OR REPORT WAS PREPARED BY ME OR UNDER MY DIRECT SUPERVISION AND THAT I AM A DULY REGISTERED PROFESSIONAL ENGINEER UNDER THE LAWS OF THE STATE OF MINNESOTA.

Paul Bretsch
DATE 4-29-94 REG. NO. 13929



1326 ENERGY PARK DRIVE
ST. PAUL, MINNESOTA 55108
(612) 644-4389

9800 SHELARD PARKWAY
MINNEAPOLIS, MINNESOTA 55441
(612) 546-0432

DATE	DESCRIPTION	DESIGNED	PER
		CHECKED	
		DRAWN	

REVISIONS	DATE	DESCRIPTION

CITY OF ELK RIVER
SCHOOL STREET RECONSTRUCTION
1000' WEST OF JACKSON TO T.H. 169
S.A.P. 204-107-04 34+50 TO 39+50

DATE APRIL 1994 SHEET 17 OF 74 SHEETS PROJECT NO. 230-216