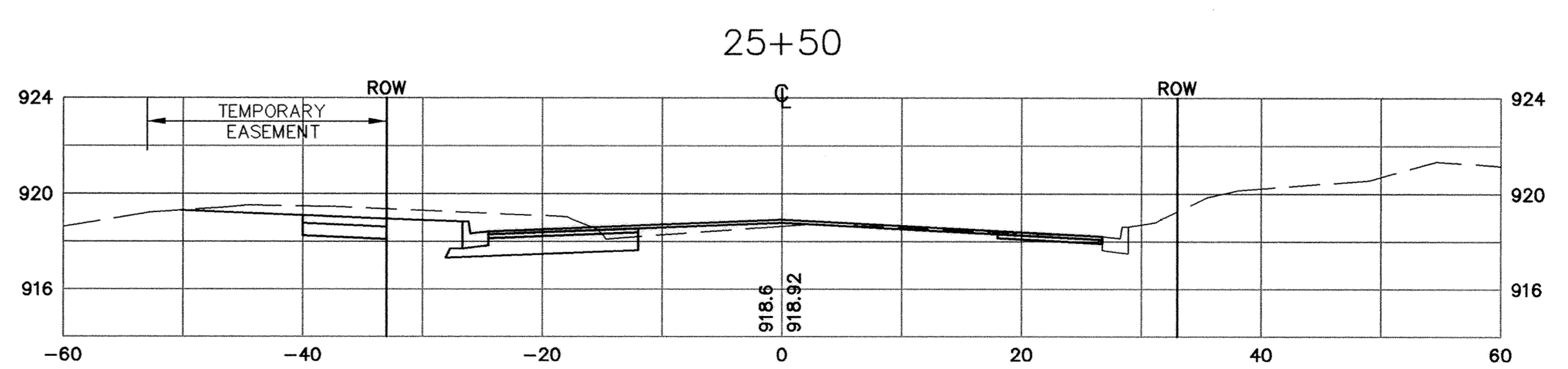
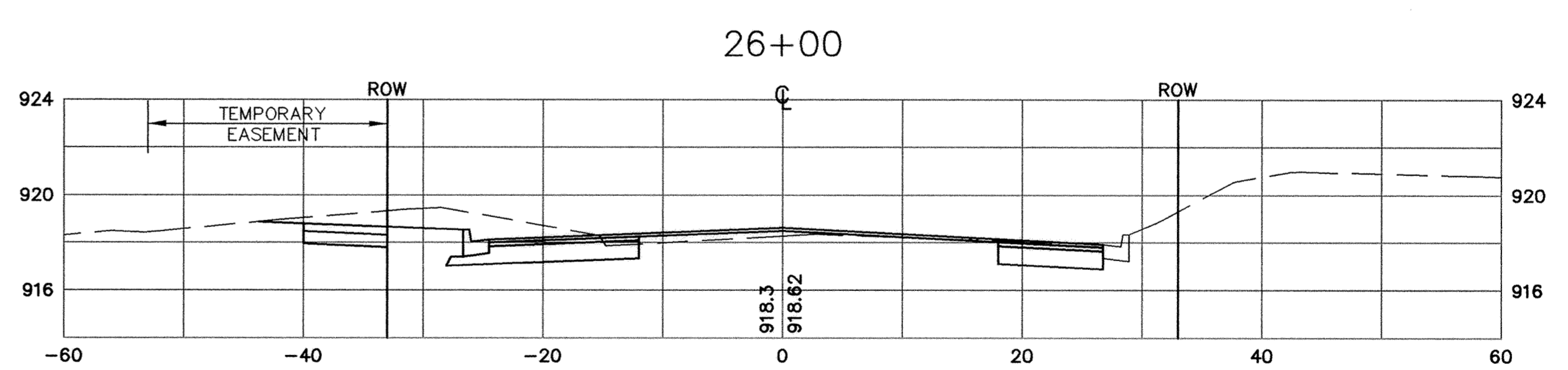
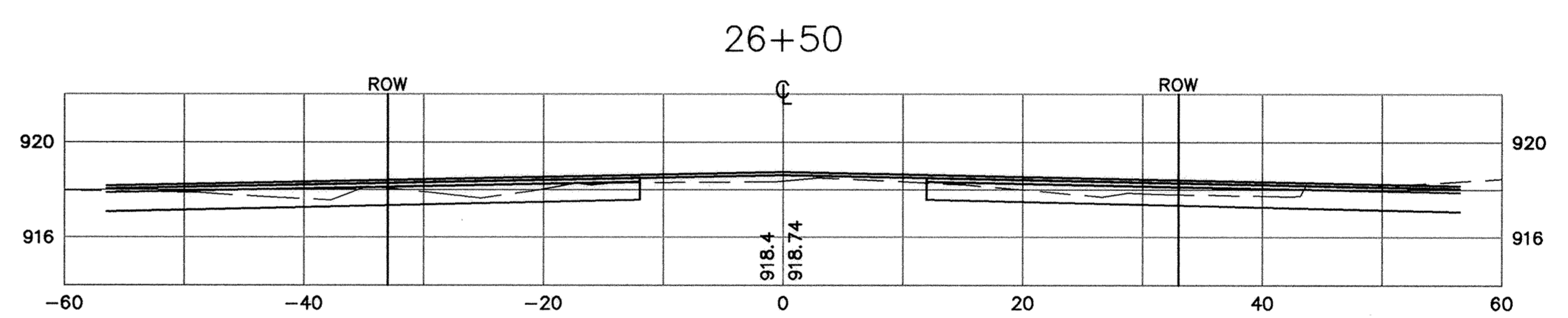
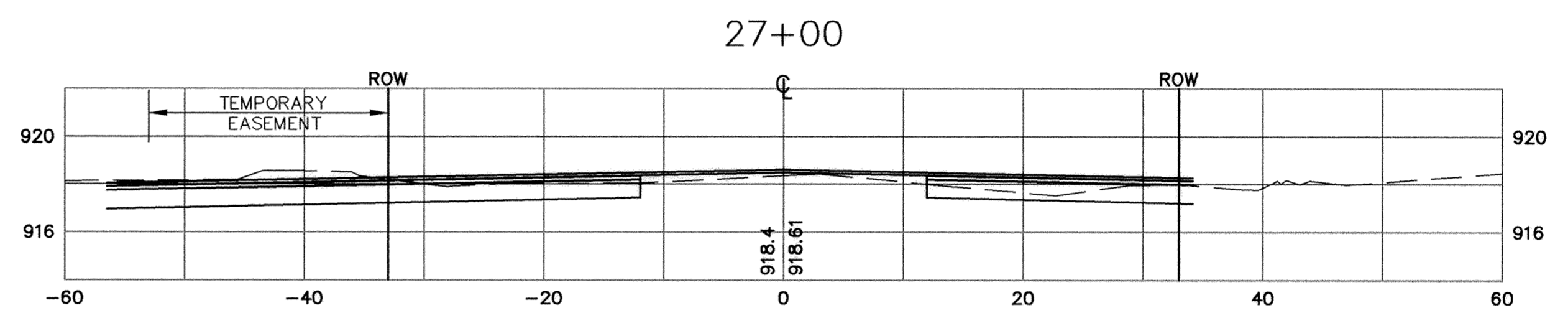
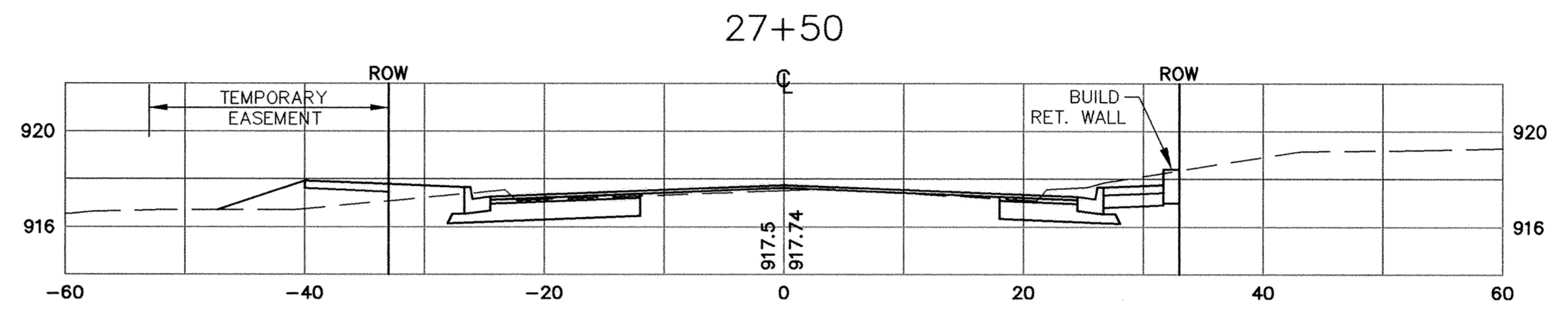
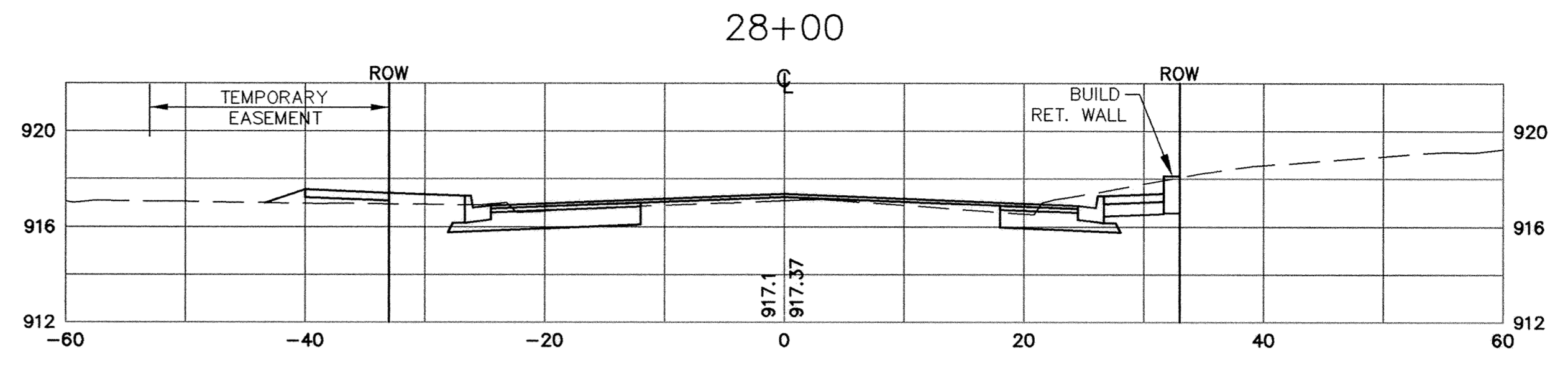
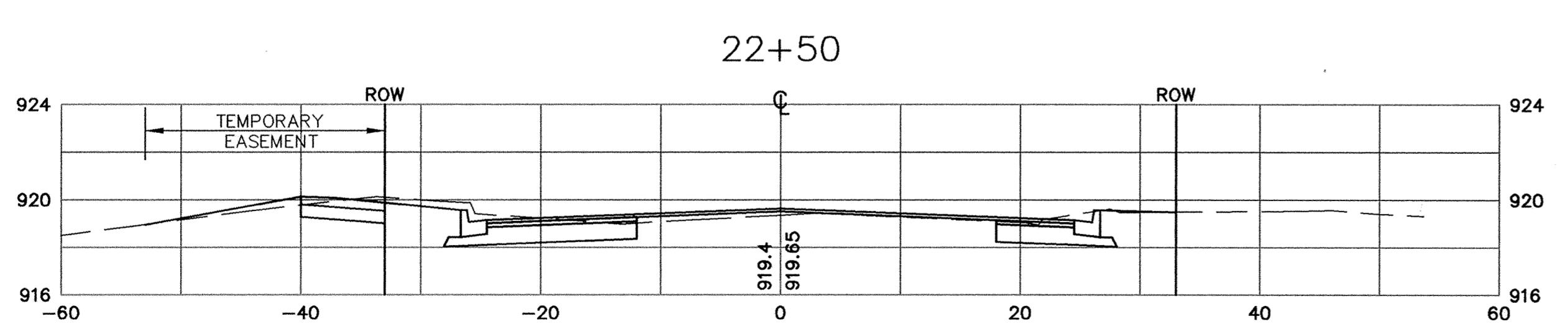
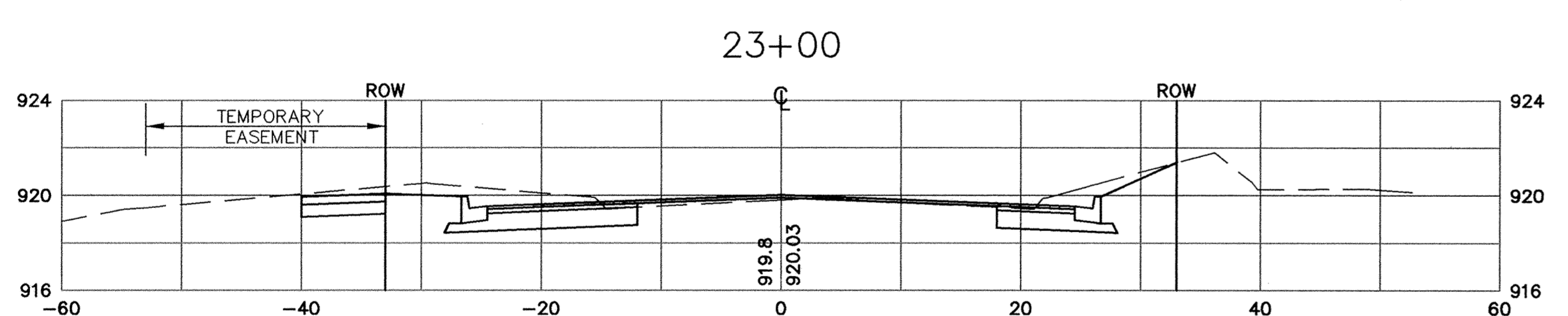
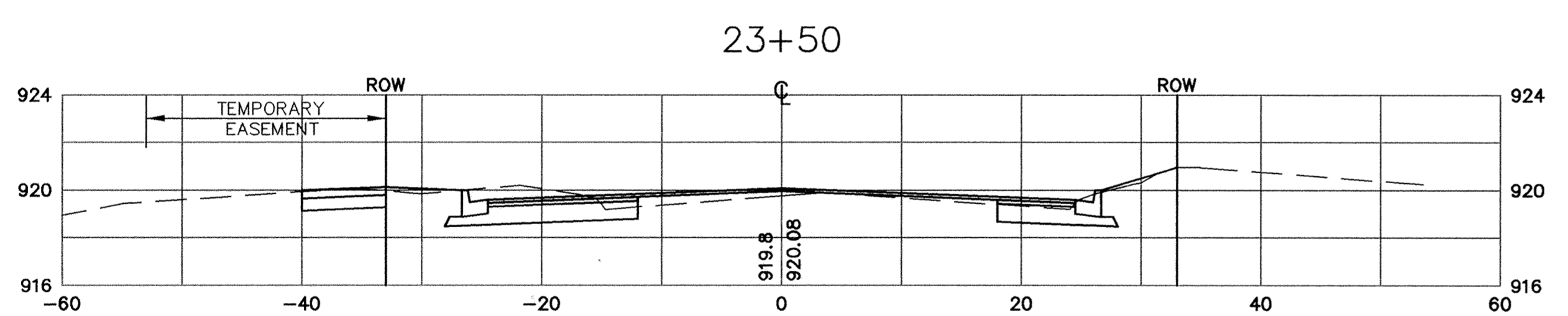
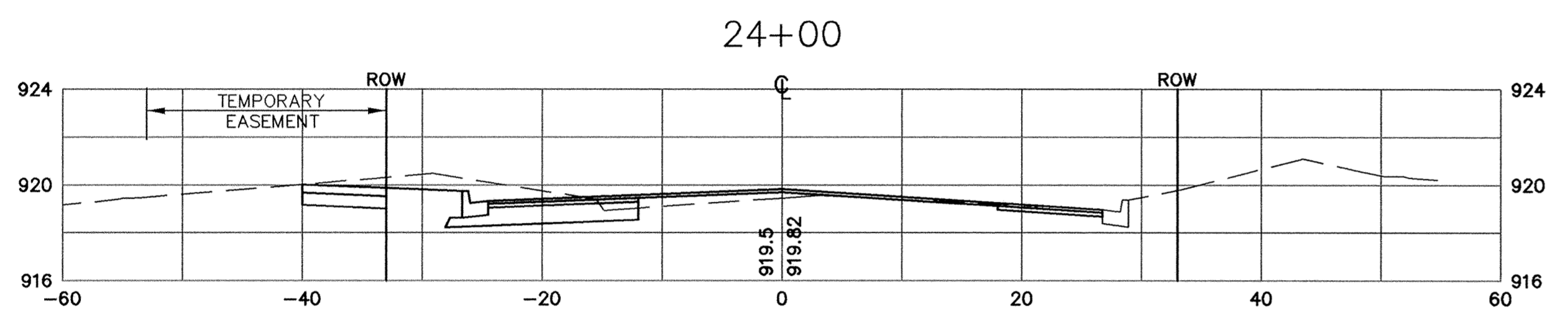
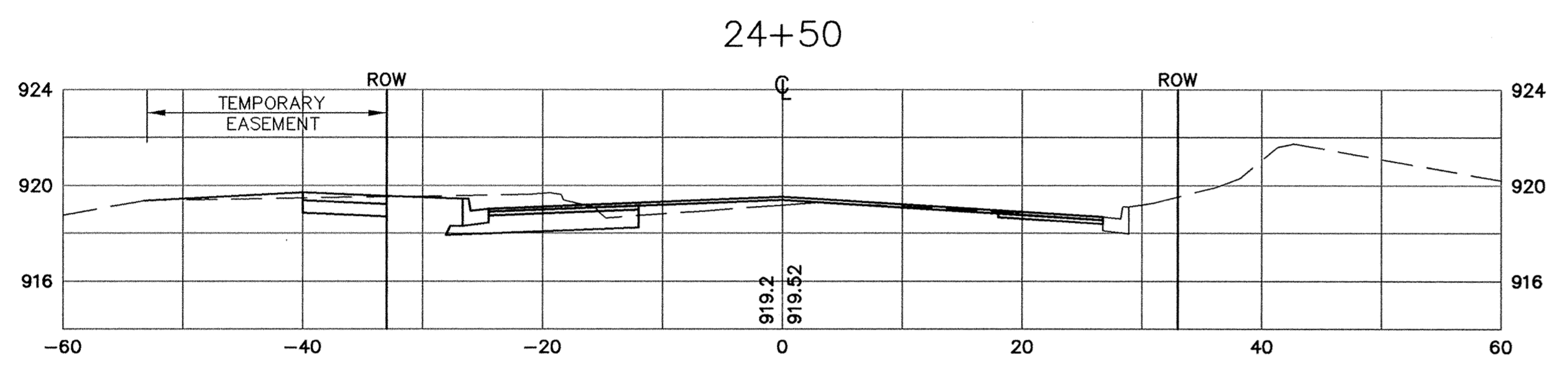
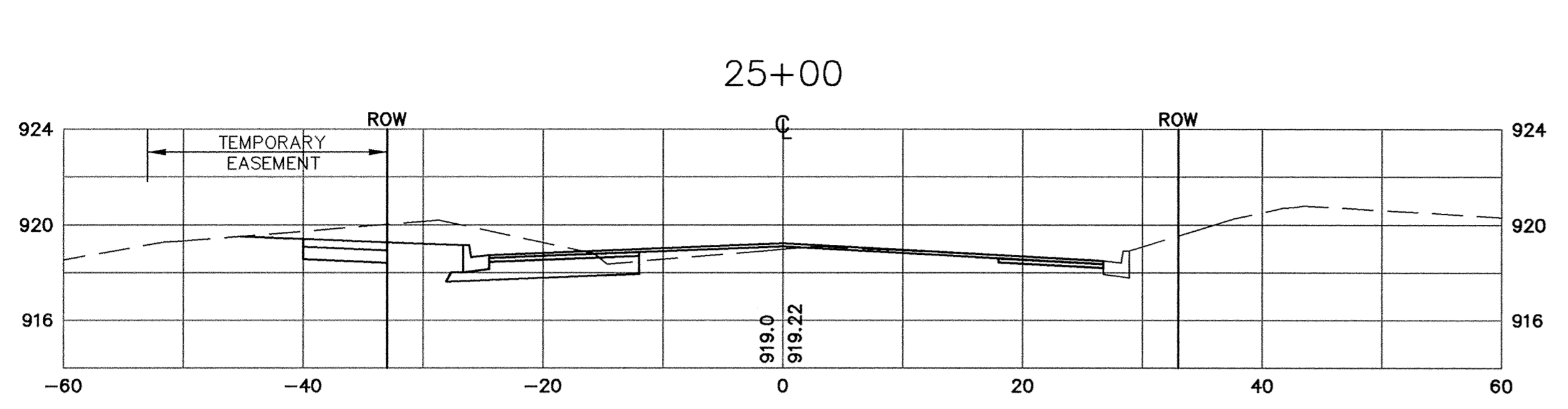


SAECO PRODUCTS • NEW HOPE, MINNESOTA
REORDER BY PART NUMBER 6582
SAECO PRODUCTS • NEW HOPE, MINNESOTA
REORDER BY PART NUMBER 6582
SAECO PRODUCTS • NEW HOPE, MINNESOTA
REORDER BY PART NUMBER 6582
SAECO PRODUCTS • NEW HOPE, MINNESOTA
REORDER BY PART NUMBER 6582



RECORD PLAN 1995

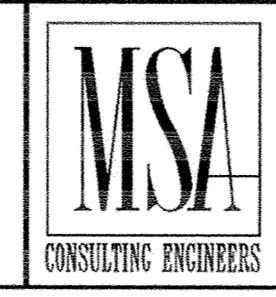
CITY OF ELK RIVER
SCHOOL STREET RECONSTRUCTION
1000' WEST OF JACKSON TO T.H. 169
S.A.P. 204-107-04 22+50 TO 28+00

DATE APRIL 1994 SHEET 15 OF 74 SHEETS PROJECT NO. 230-216

DESIGNED	PEB
CHECKED	
DRAWN	
GRAPHIC SCALE	
HORIZ.	10
VERT.	5

1326 ENERGY PARK DRIVE
ST. PAUL, MINNESOTA 55108
(612) 644-4389

9800 SHELARD PARKWAY
MINNEAPOLIS, MINNESOTA 55441
(612) 546-0432



I HEREBY CERTIFY THAT THIS PLAN, SPECIFICATION, OR REPORT WAS PREPARED BY ME OR UNDER MY DIRECT SUPERVISION AND THAT I AM A DULY REGISTERED PROFESSIONAL ENGINEER UNDER THE LAWS OF THE STATE OF MINNESOTA.

Paul Boeth
DATE 6-2-94 REG. NO. 13929