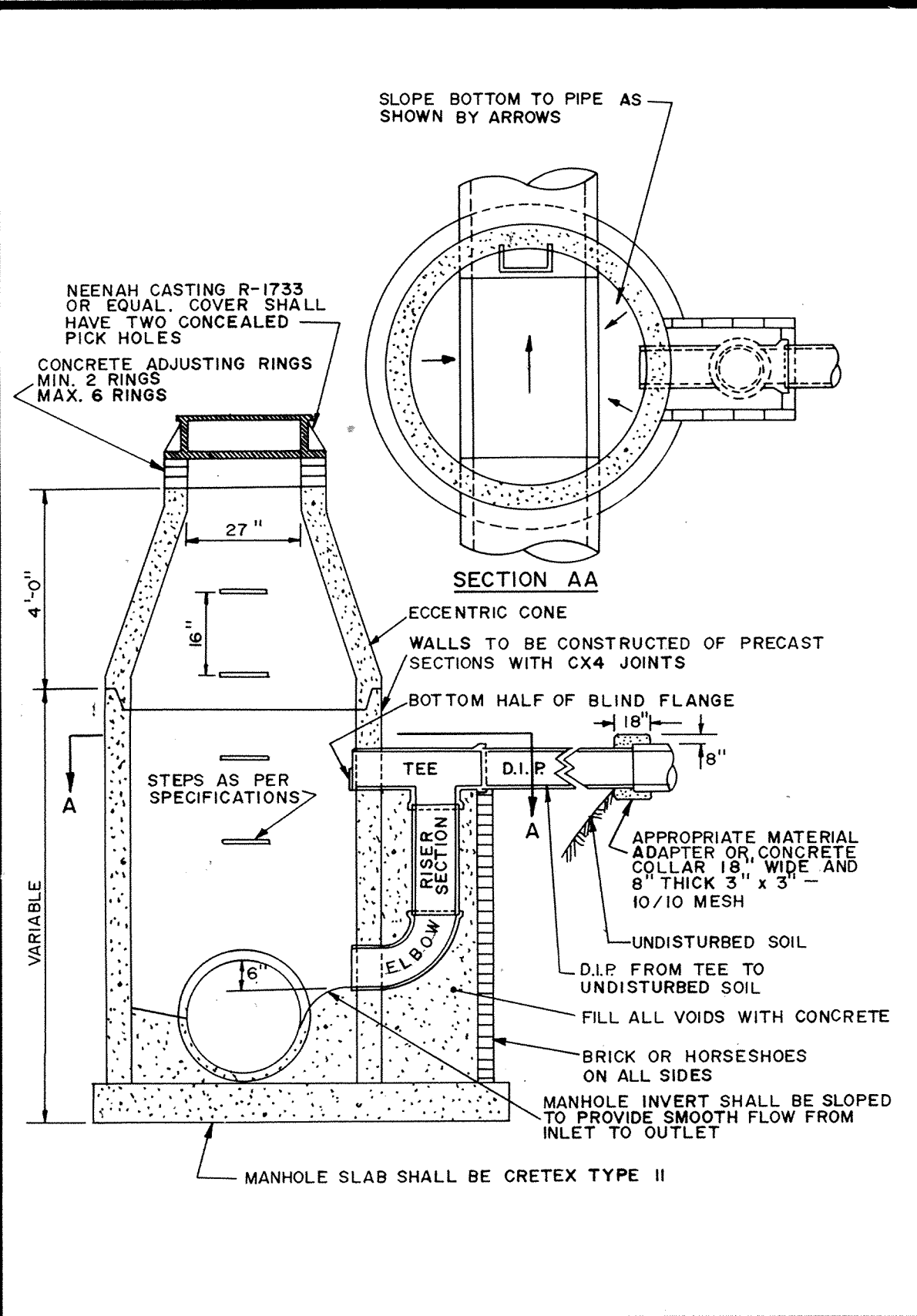
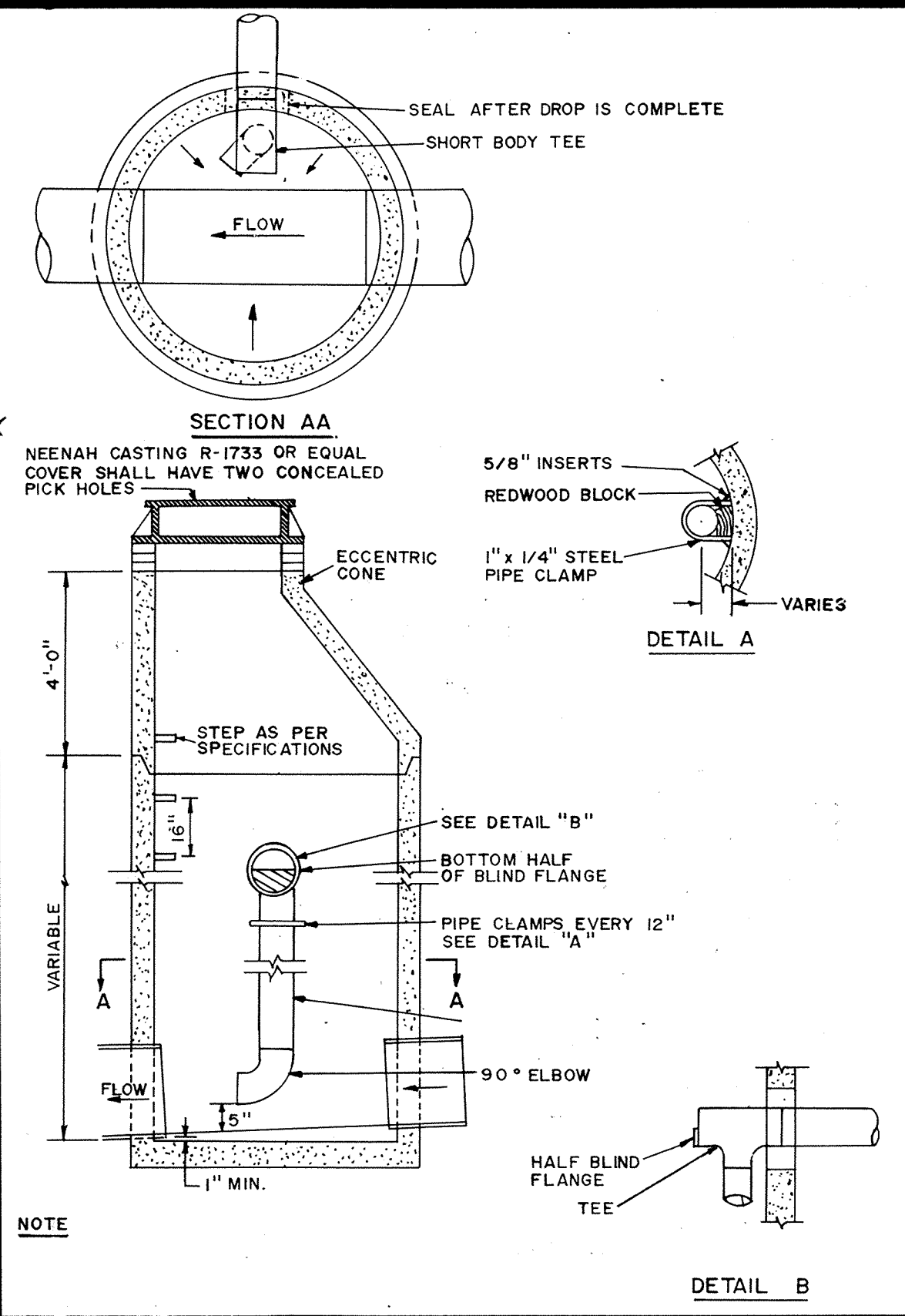


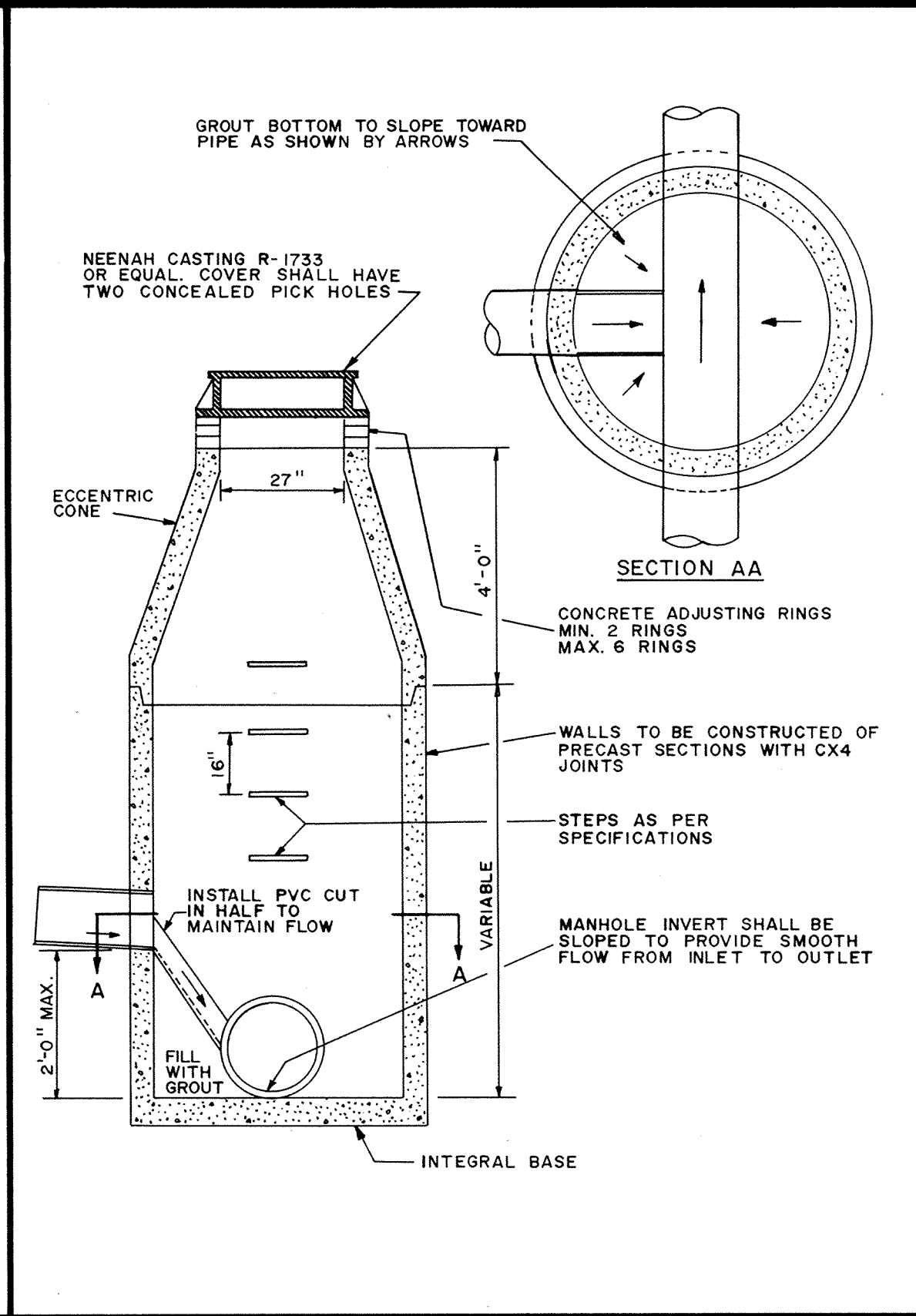
STANDARD AIR RELIEF MANHOLE



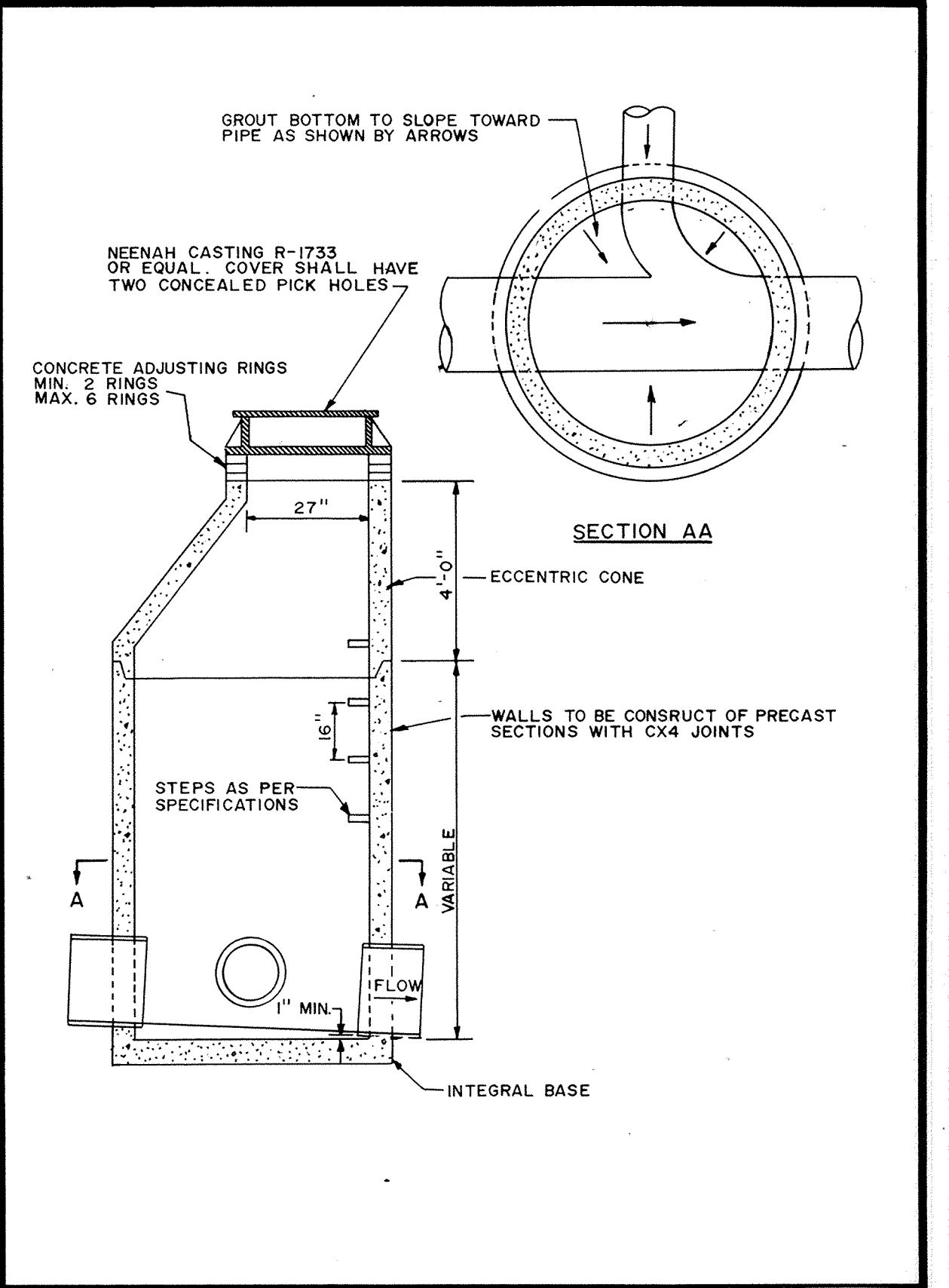
OUTSIDE DROP MANHOLE



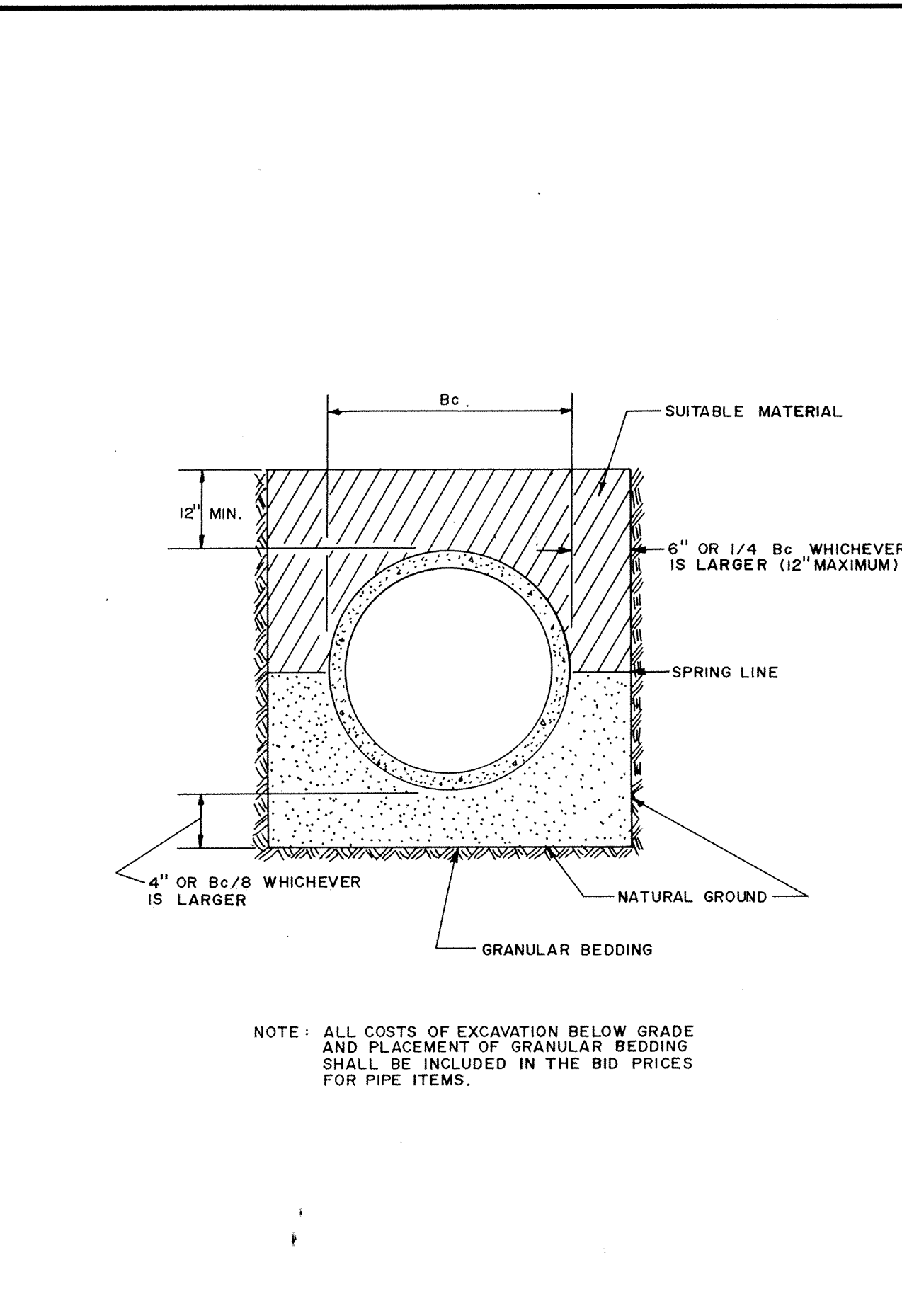
INSIDE DROP MANHOLE



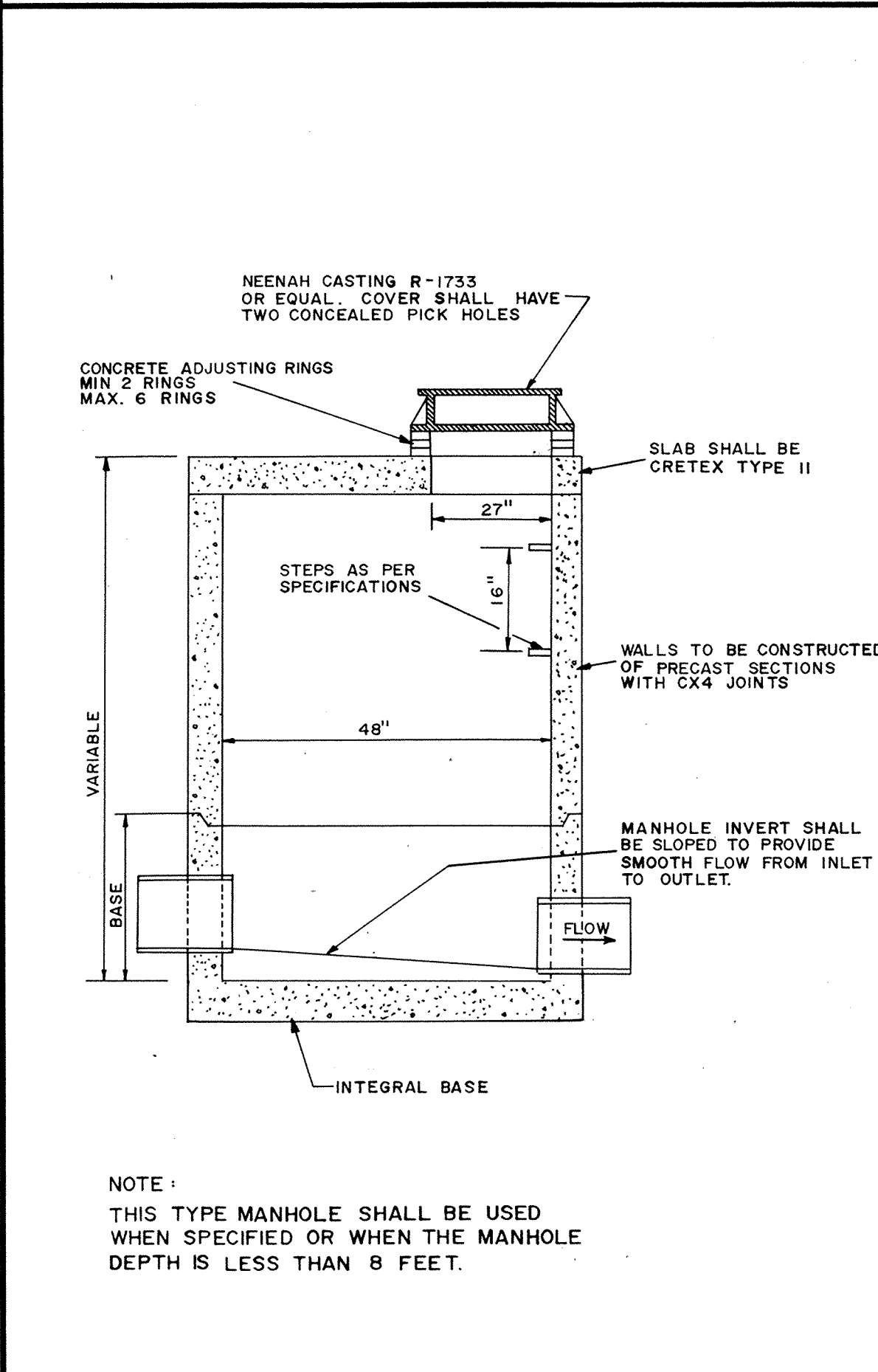
INSIDE DROP MANHOLE (2 FEET OR LESS)



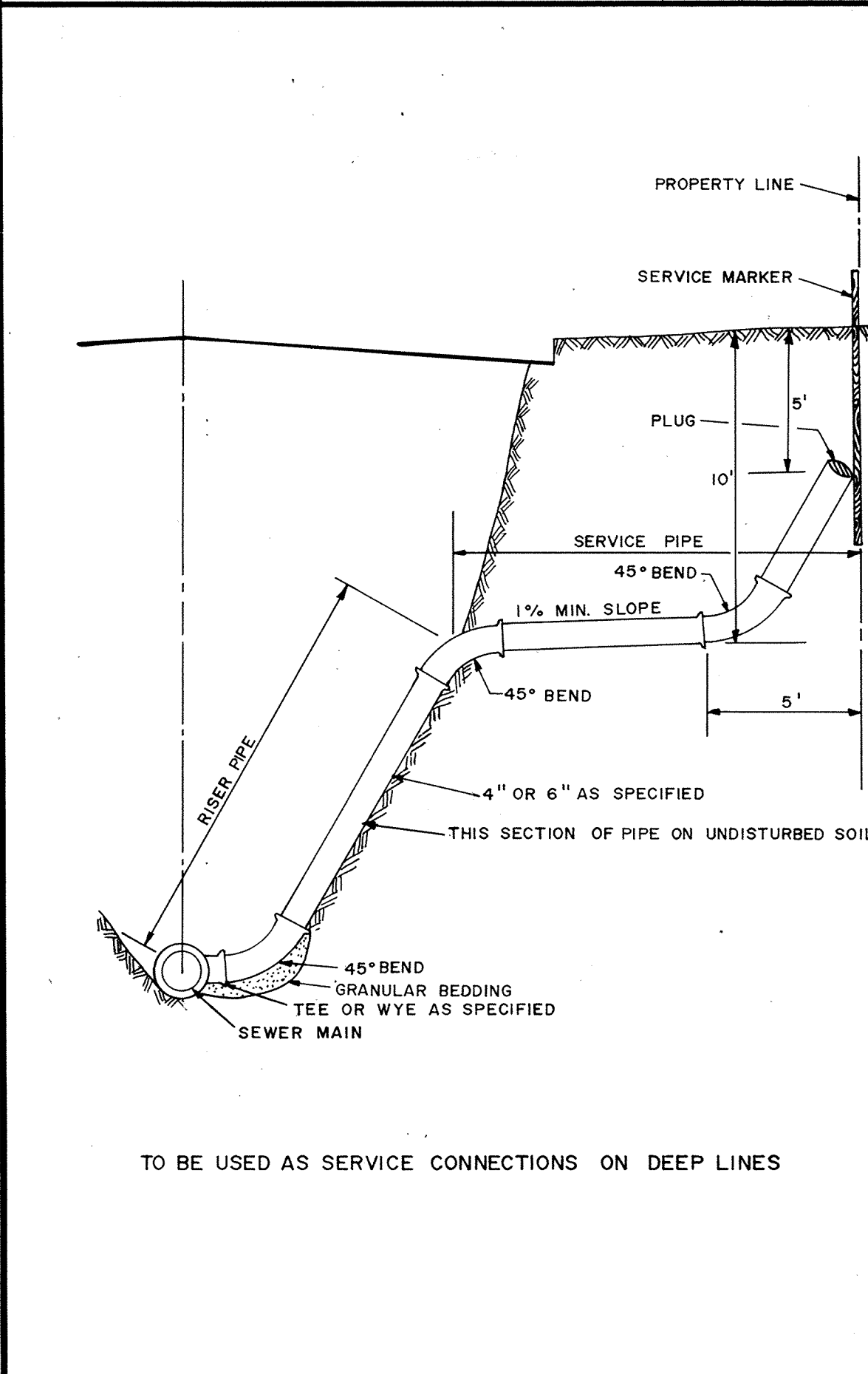
STANDARD MANHOLE



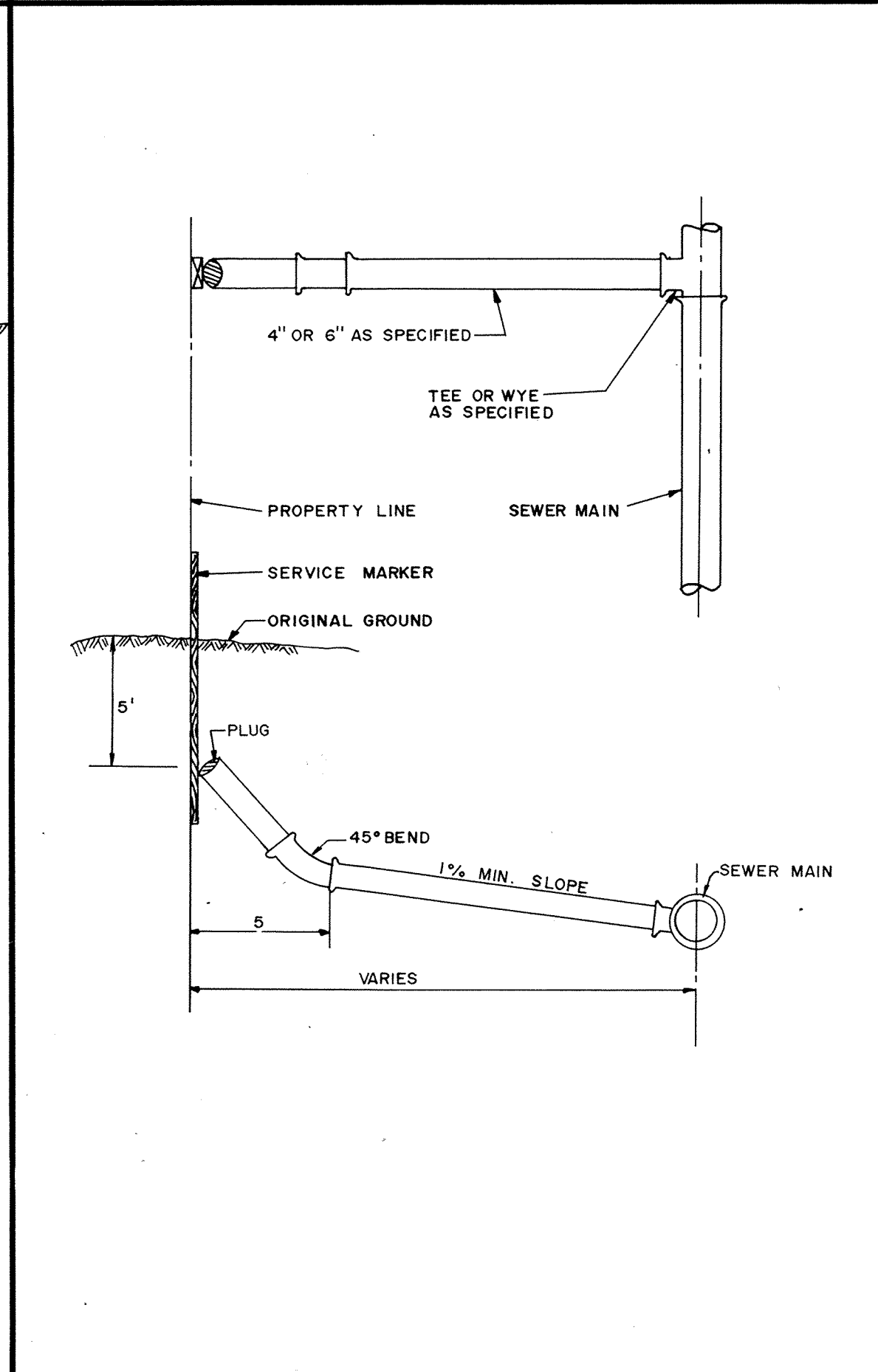
CLASS B PIPE BEDDING



SLAB TOP MANHOLE



SERVICE RISER SECTION



TYPICAL HOUSE SERVICE

RECORD PLAN Nov. 1988

MSA CONSULTING ENGINEERS
Maier Stewart & Associates Inc.
 1959 SLOAN PLACE (612) 774 6021 ST. PAUL, MINNESOTA 55117

DATE	DESCRIPTION	DESIGNED
		CHECKED
		DRAWN MBL
		GRAPHIC SCALE
		HORIZ. NONE
		VERT.

CITY OF ELK RIVER
 SANITARY SEWER DETAILS

DATE MARCH 1988 SHEET 14 OF 17 SHEETS PROJECT NO. 230-034

DRAWING NUMBER
 ROYAL 88
 14
 CITY OF ELK RIVER
 SANITARY SEWER DETAILS
 PROJECT NO. 230-034
 SHEET 14 OF 17 SHEETS
 DATE MARCH 1988