

- NOTES**
- Catch basins shall be depressed 0.1 feet from gutter grade.
  - Intersection radius and 16 feet each side shall be B-618 type curb with 4 foot transition to Surmountable.
  - Sod shall be placed and pegged around all storm sewer aprons and stool type catch basins.
  - BENCH MARK: TNH SE CORNER LOT 1, BLOCK 1, RIVERPLACE & SOUTHSIDE OF 185TH AVE NW. ELEV.=891.47
  - B618 curb shall be installed on both sides of catch basins as shown in Std. Plate No. 2005

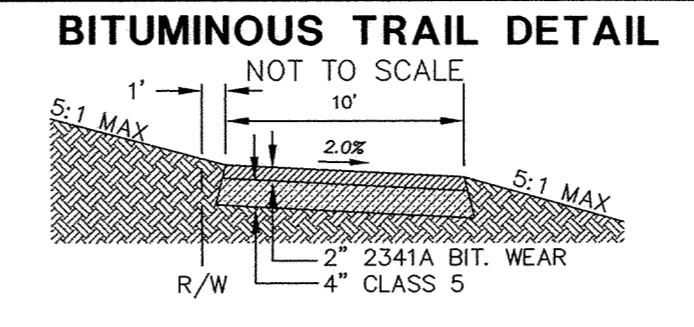
**TOP OF CURB TABLE**

1.	892.17	**	39.	889.42	**
2.	891.76	**	40.	888.89	**
3.	891.35	**	41.	888.68	**
4.	891.35	**	42.	888.68	**
5.	891.38	**	43.	888.75	**
6.	891.41	**	44.	888.81	**
19.	880.88	*	45.	879.47	*
20.	880.93	*	46.	879.73	**
21.	880.98	*	47.	879.99	**
22.	880.98	*	48.	880.71	**
23.	880.69	*	49.	881.17	**
24.	880.39	*	50.	881.16	**
25.	885.17	*	51.	880.68	**
26.	885.95	*	52.	880.41	**

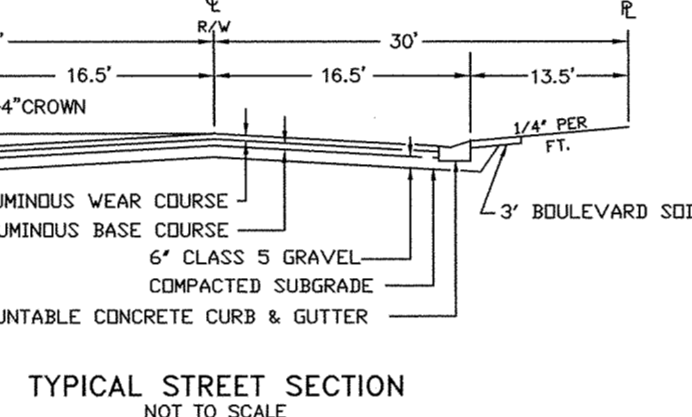
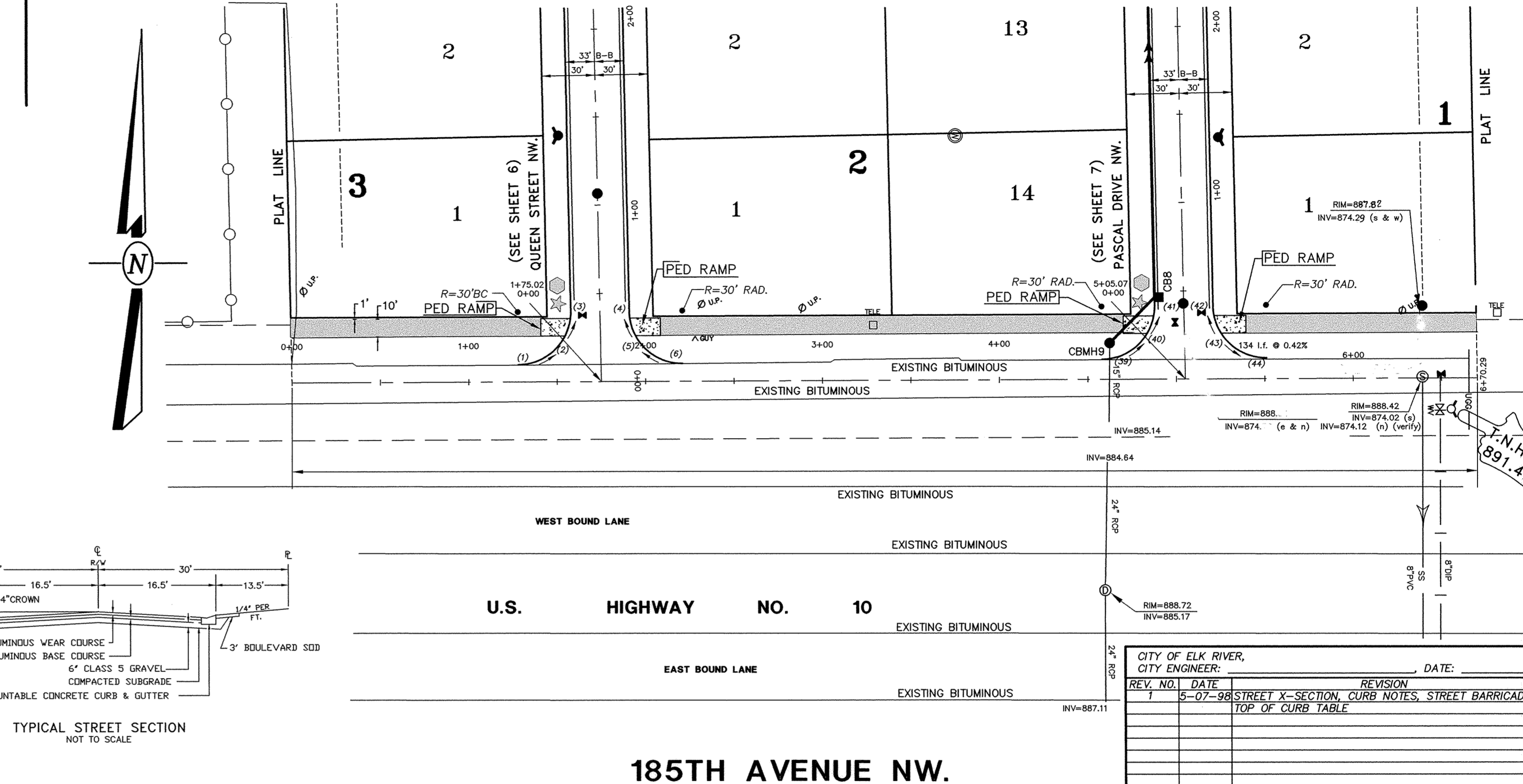
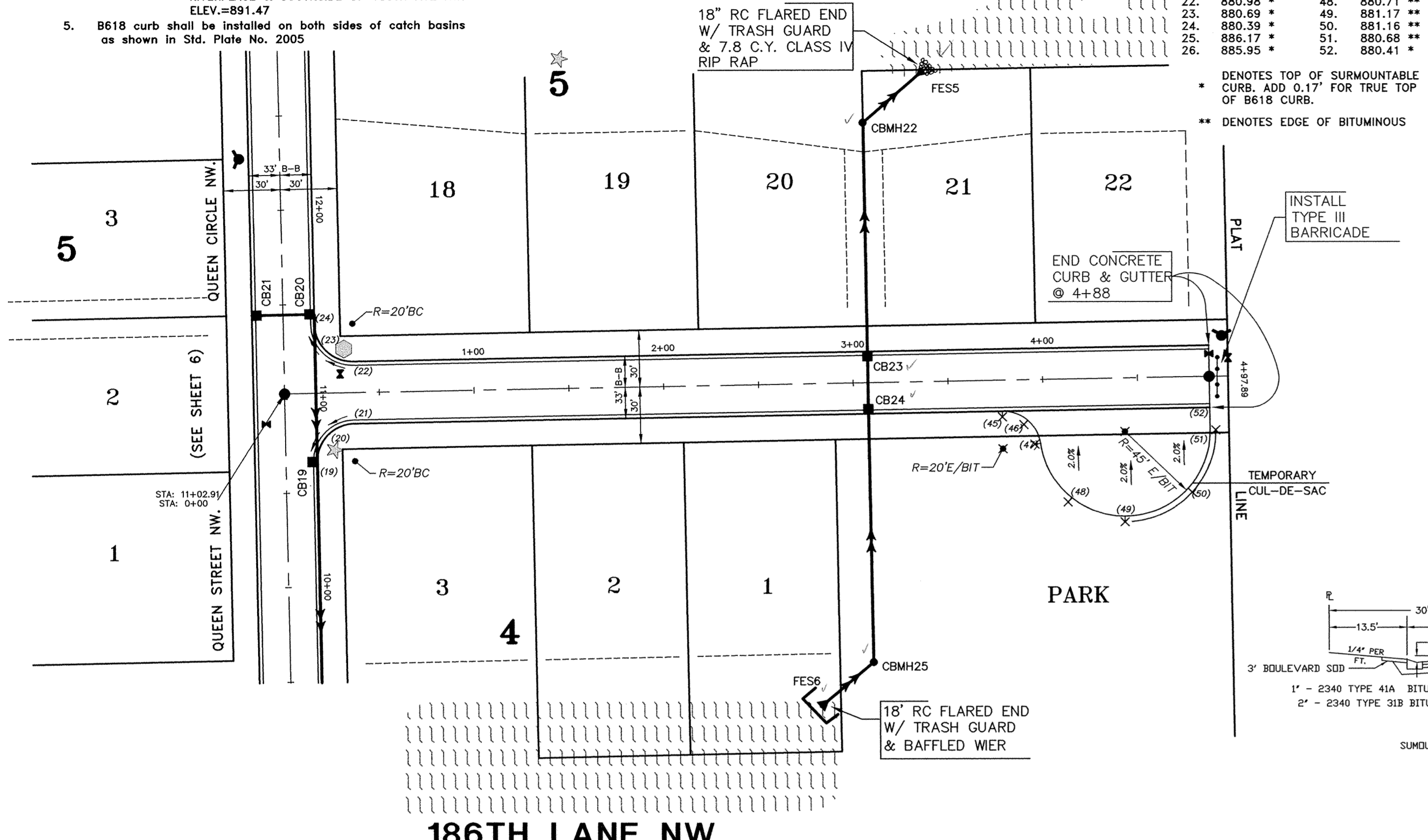
**STRUCTURE TABLE**

STRUCTURE	STRUCTURE TYPE	CASTING	CASTING TYPE
CBMH22	48" SLAB TOP	R-1733	SOLID
CB23	48" SLAB TOP	R-5067-V	
CB24	48" SLAB TOP	R-5067-V	
CBMH25	48" SLAB TOP	R-1733	SOLID

ALL CASTING SHALL BE BICYCLE FRIENDLY



**WARNING:**  
THE LOCATION OF EXISTING UTILITIES SHOWN ARE SHOWN IN AN APPROXIMATE WAY ONLY. THE CONTRACTOR SHALL BE RESPONSIBLE FOR LOCATING AND PROTECTING ALL EXISTING UTILITIES. HE AGREES TO BE FULLY RESPONSIBLE FOR ANY AND ALL DAMAGES ARISING OUT OF HIS FAILURE TO PROPERLY LOCATE AND/OR PRESERVE THEM. ALL EXISTING UTILITIES MAY NOT BE SHOWN



CITY OF ELK RIVER, CITY ENGINEER: \_\_\_\_\_ DATE: \_\_\_\_\_

REV. NO.	DATE	REVISION
1	5-07-98	STREET X-SECTION, CURB NOTES, STREET BARRICADE TOP OF CURB TABLE

Scale: HORIZONTAL 1" = 50', VERTICAL 1" = 5'

RECORD PLAN 4/26/99

REG. NO. 16253 Date 3-31-98

**STREET & STORM SEWER PROFILE**  
186TH LANE NW. & 185 AVENUE NW.  
RIVERPLACE  
ELK RIVER, MINNESOTA

MIDWEST  
Land Surveyors & Civil Engineers, Inc.  
199 Coon Rapids Blvd.  
Coon Rapids, Minn. 55433  
Ph. 763-786-4418 Fax. 763-786-9808

Job No. \_\_\_\_\_ Book-Page \_\_\_\_\_ Area (ft.) \_\_\_\_\_

© 1998 Midwest Land Surveyors & Civil Engineers, Inc. All Rights Reserved.