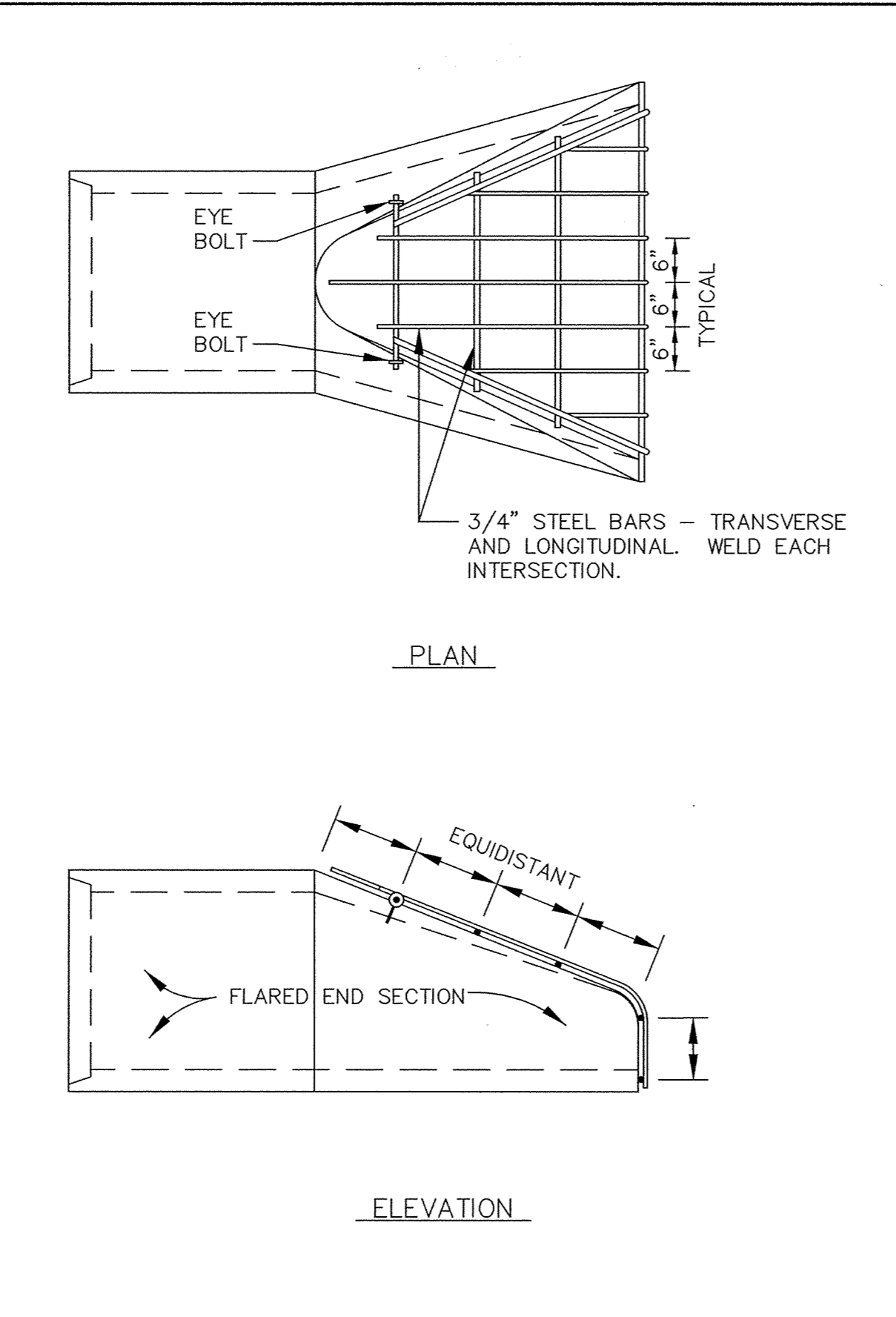
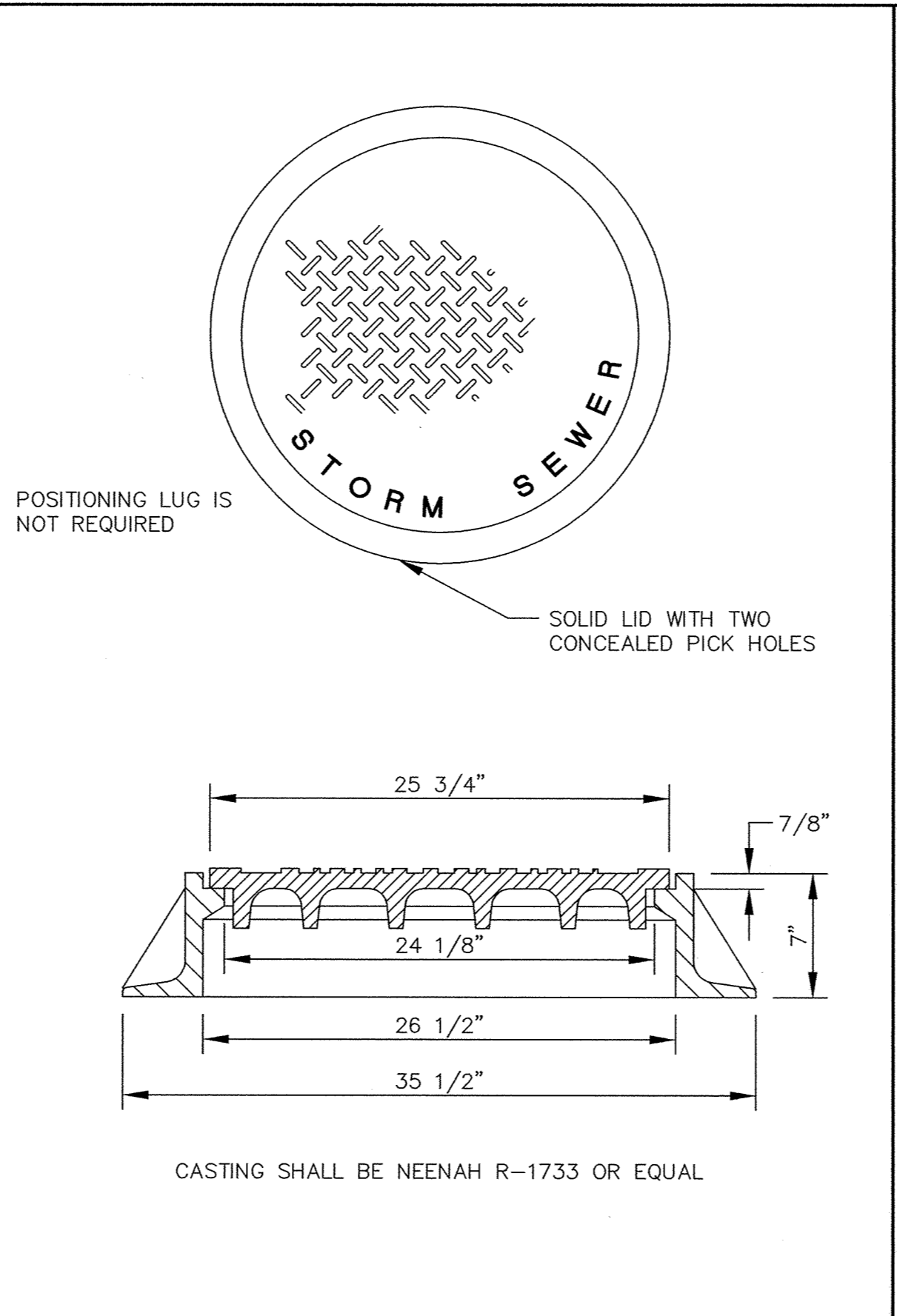


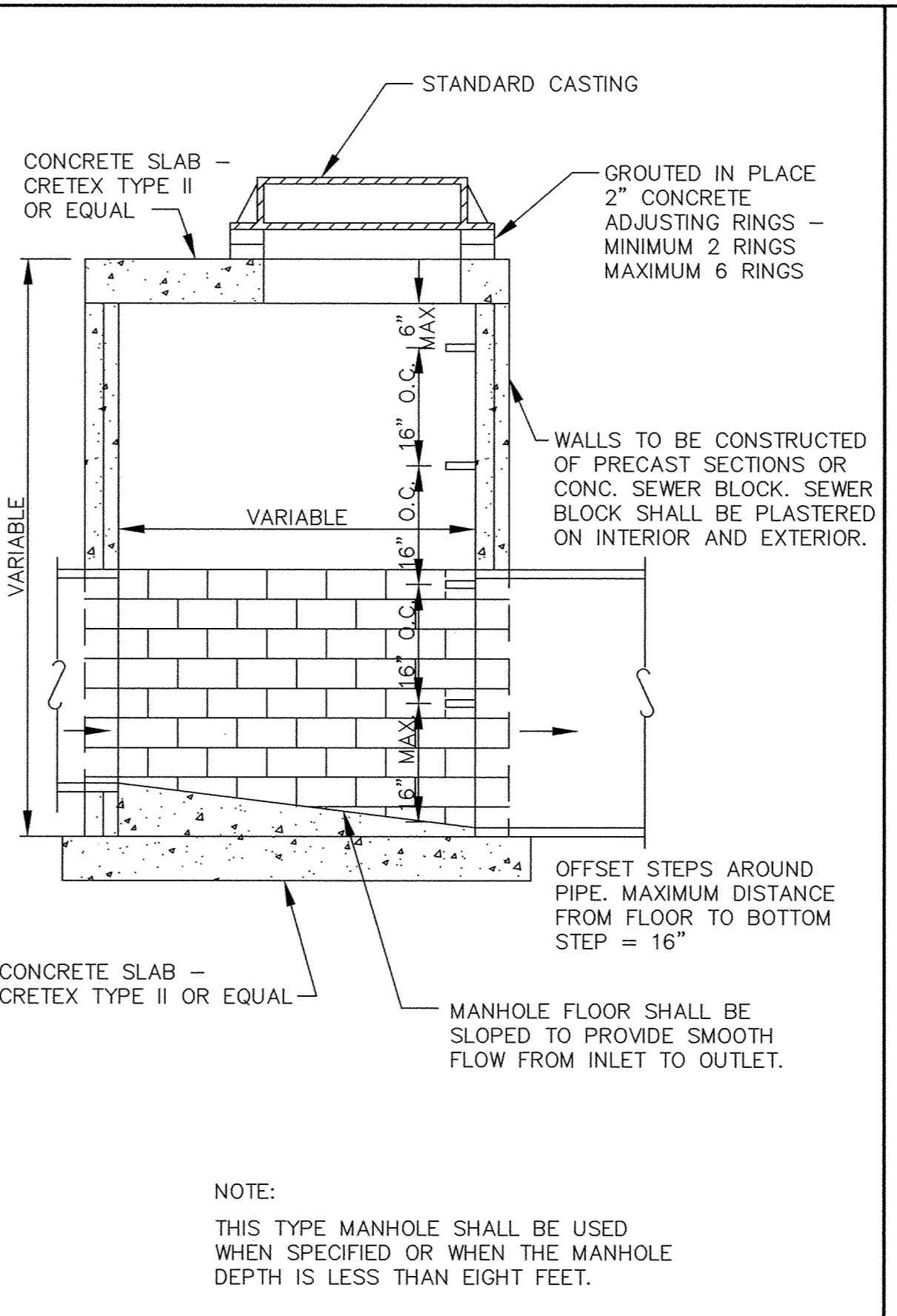
RIP-RAP INSTALLATION



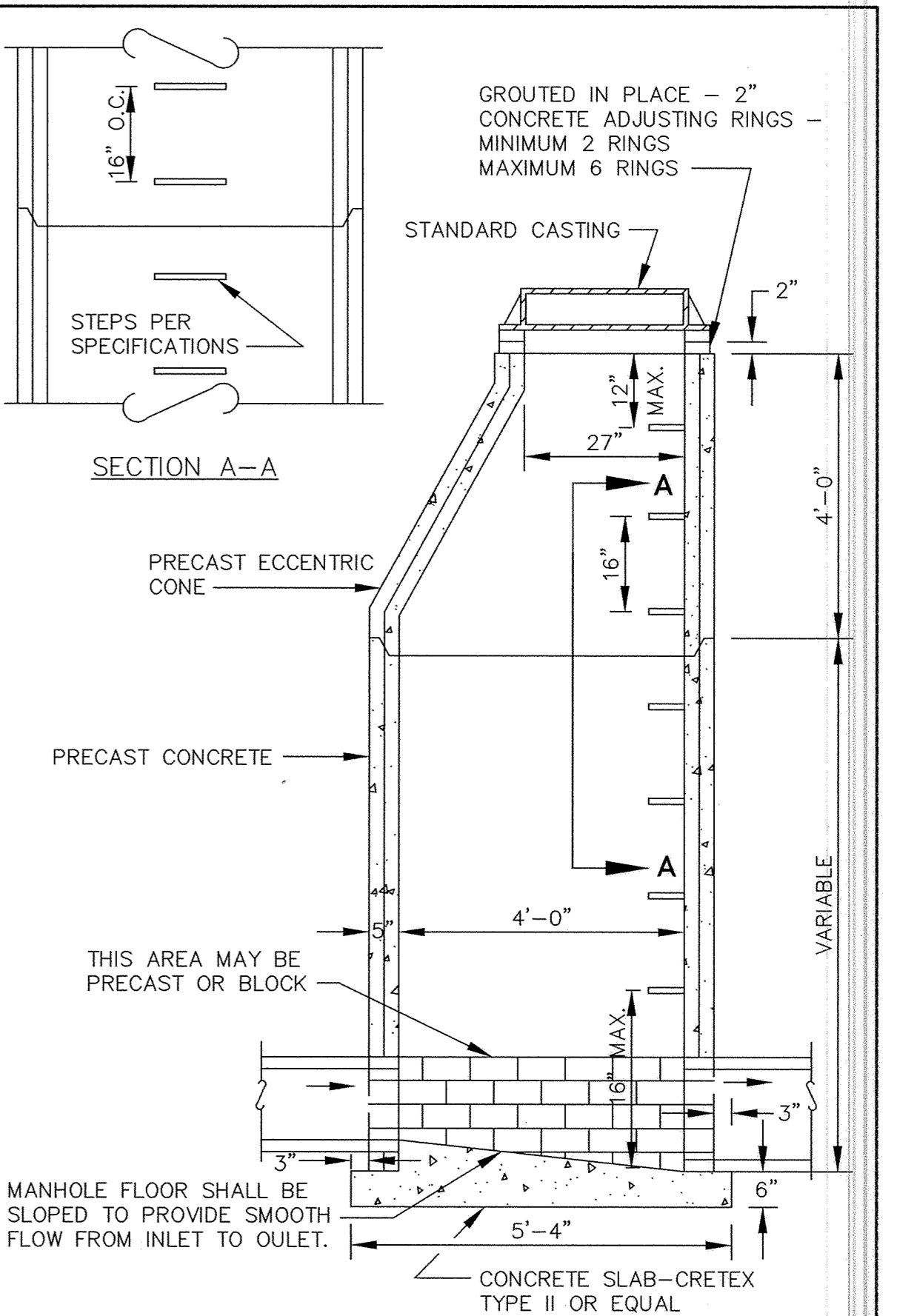
TRASH GUARD



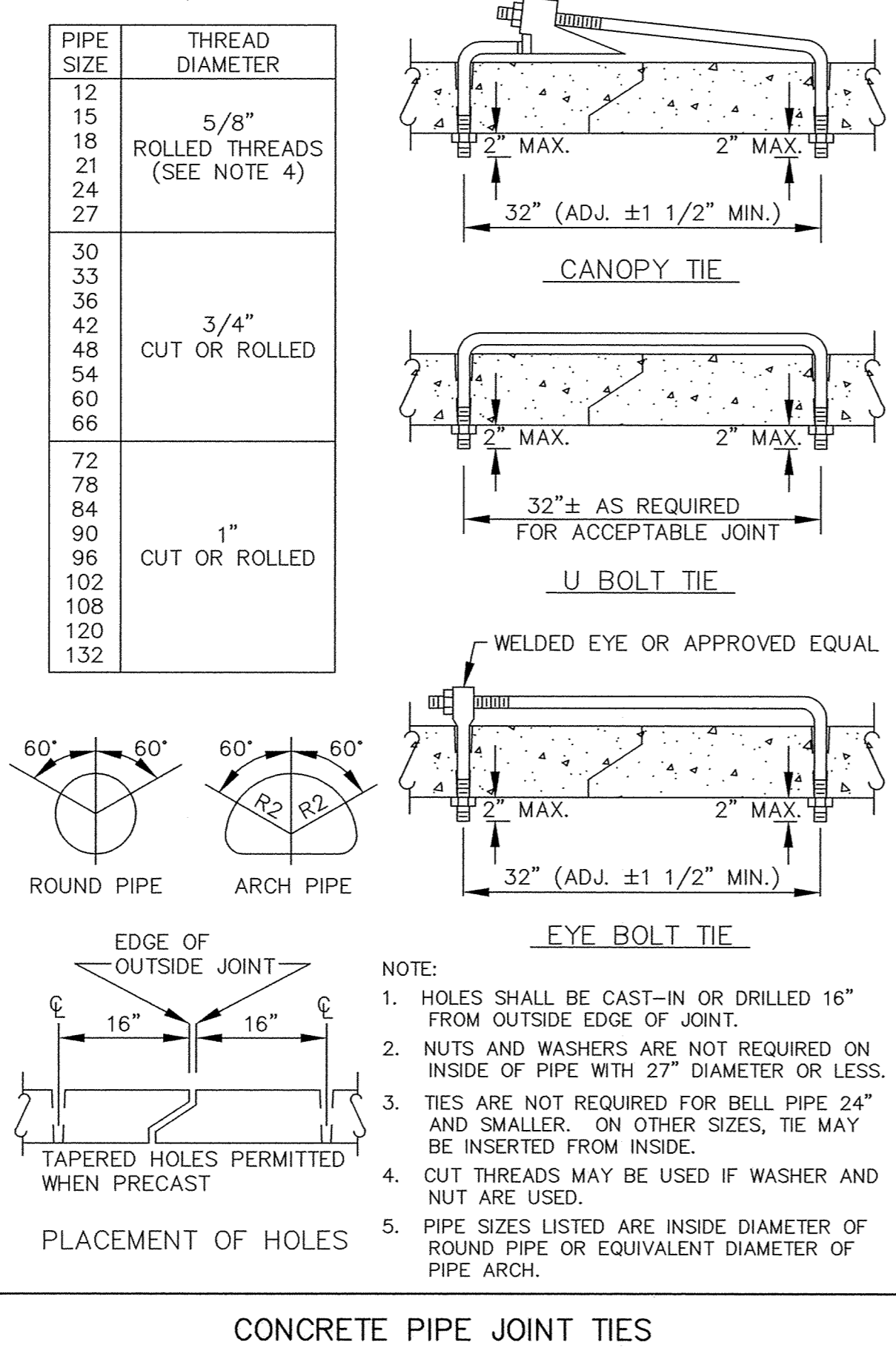
STANDARD MANHOLE CASTING



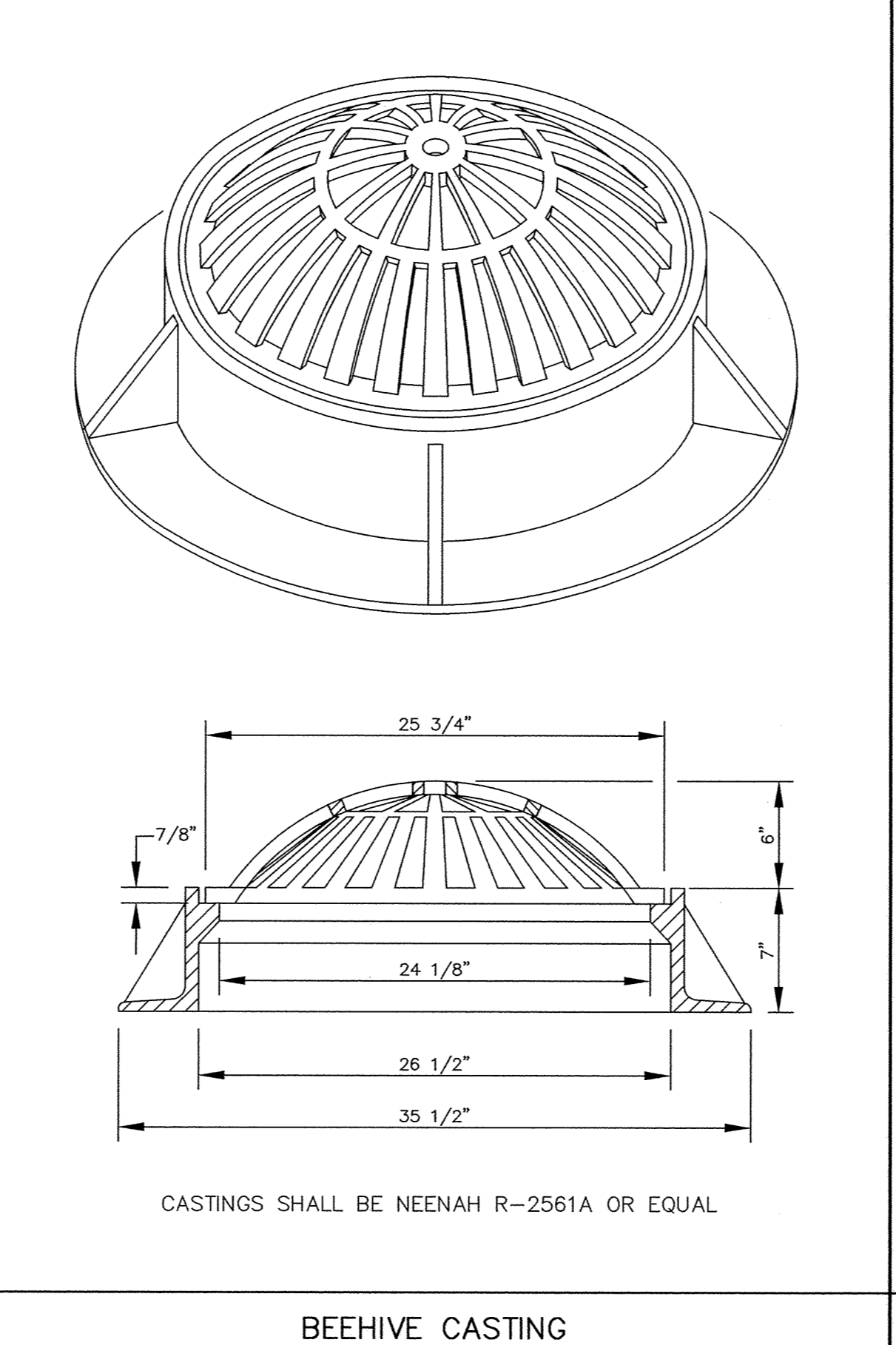
SLAB TOP MANHOLE



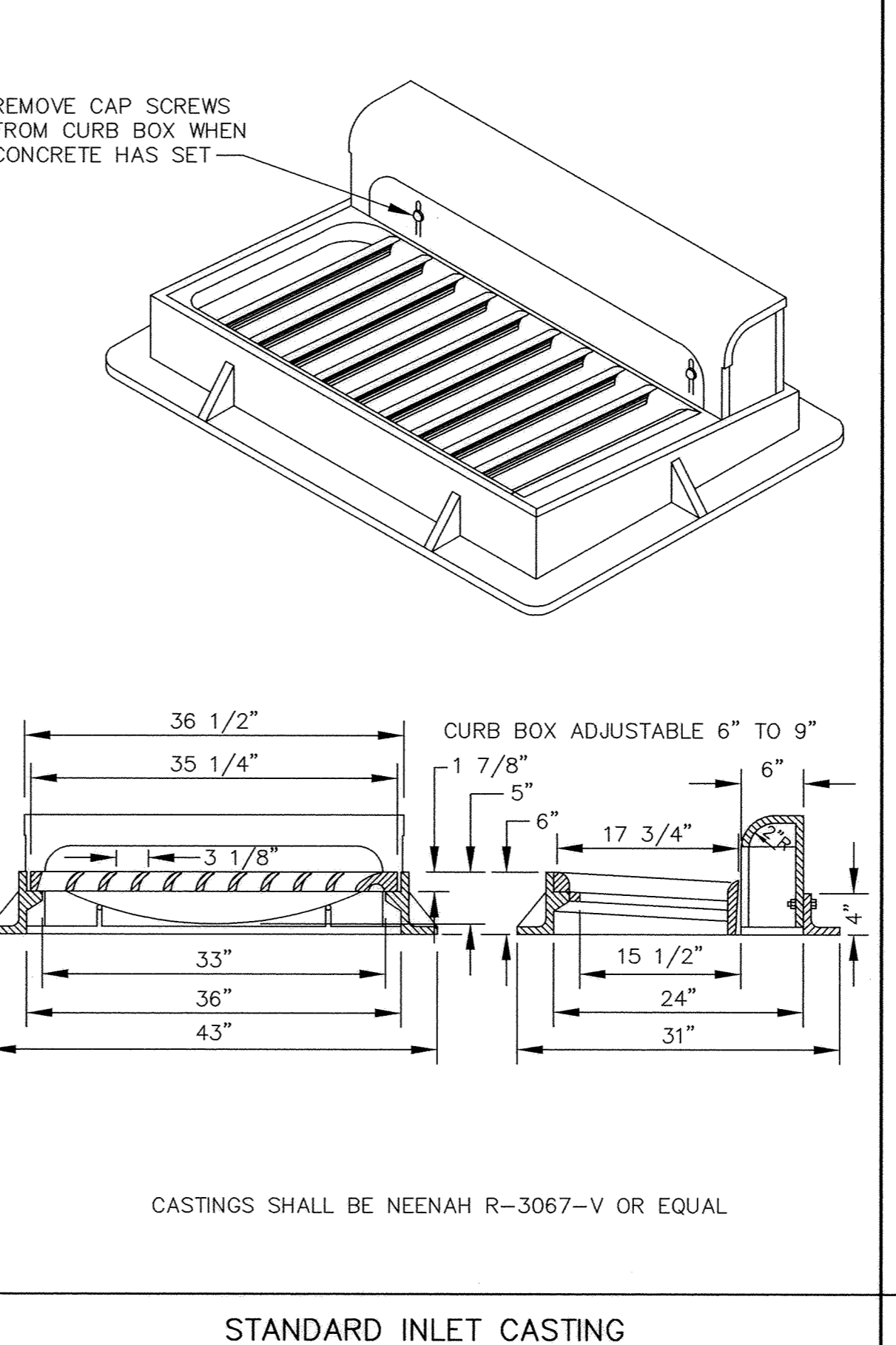
STANDARD MANHOLE



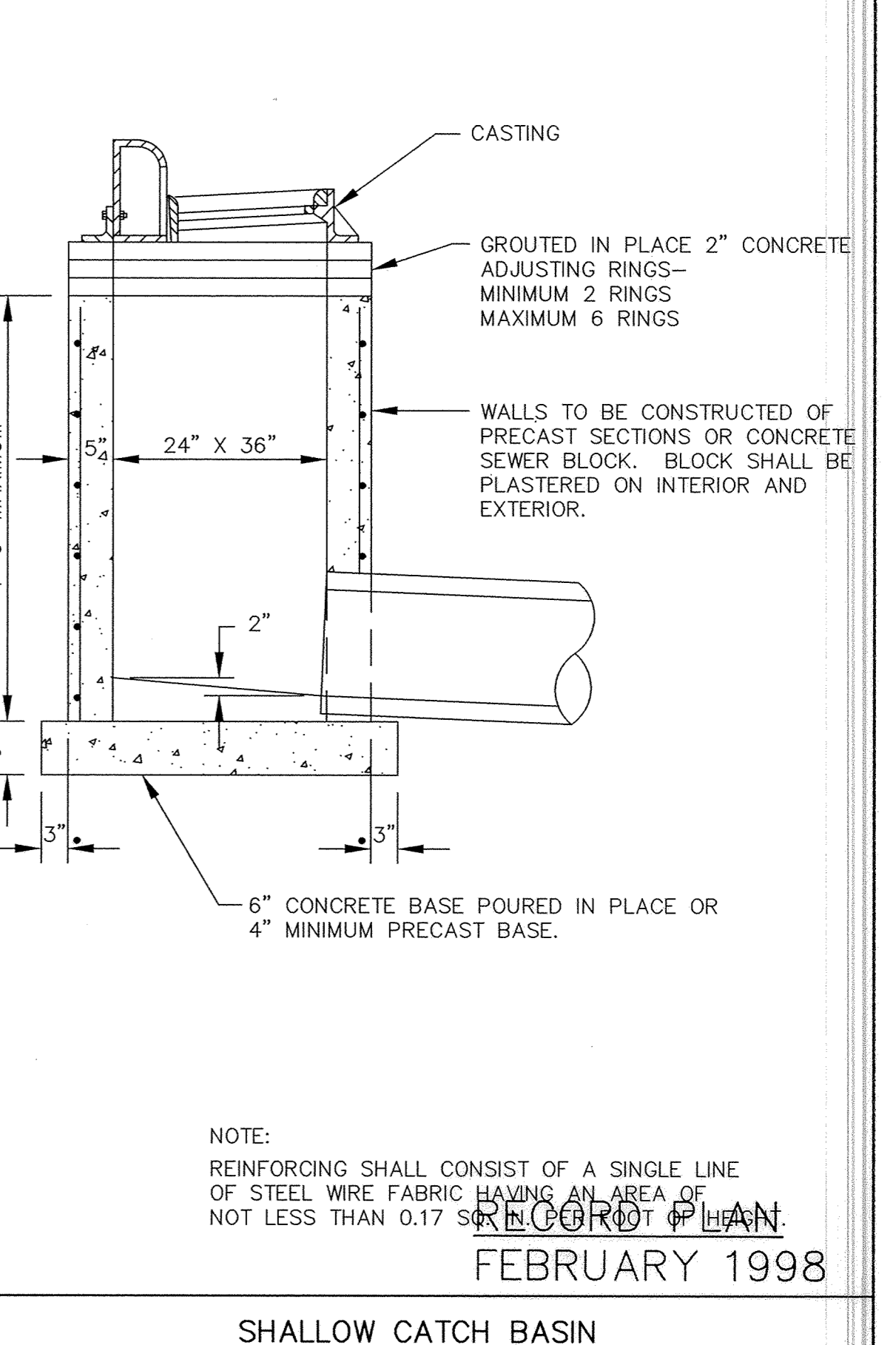
CONCRETE PIPE JOINT TIES



BEEHIVE CASTING



STANDARD INLET CASTING



SHALLOW CATCH BASIN

ER365-SM

I HEREBY CERTIFY THAT THIS PLAN, SPECIFICATION, OR REPORT WAS PREPARED BY ME OR UNDER MY DIRECT SUPERVISION AND THAT I AM A DULY REGISTERED PROFESSIONAL ENGINEER UNDER THE LAWS OF THE STATE OF MINNESOTA.
Mark Graham
 DATE 6/6/97 REG. NO. 19130



1326 ENERGY PARK DRIVE
 ST. PAUL, MINNESOTA 55108
 (612) 644-4389

| REVISIONS | DATE | DESCRIPTION | DESIGNED | MG |
|-----------|------|-------------|---------------|----|
| | | | CHECKED | EY |
| | | | DRAWN | EY |
| | | | GRAPHIC SCALE | |
| | | | 0 HORIZ. | |
| | | | 0 VERT. | |

CITY OF ELK RIVER
 RIVERVIEW DRIVE/MACON STREET
 STORM SEWER DETAILS

DATE JUNE 1997 SHEET 19 OF 20 SHEETS PROJECT NO. 230-365