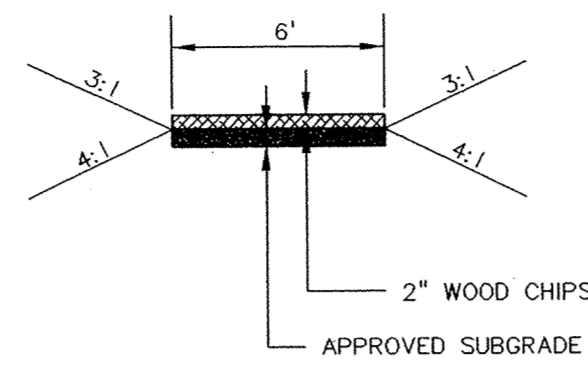
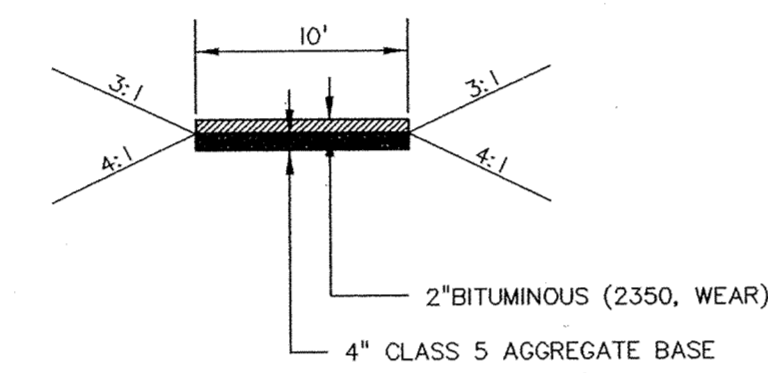


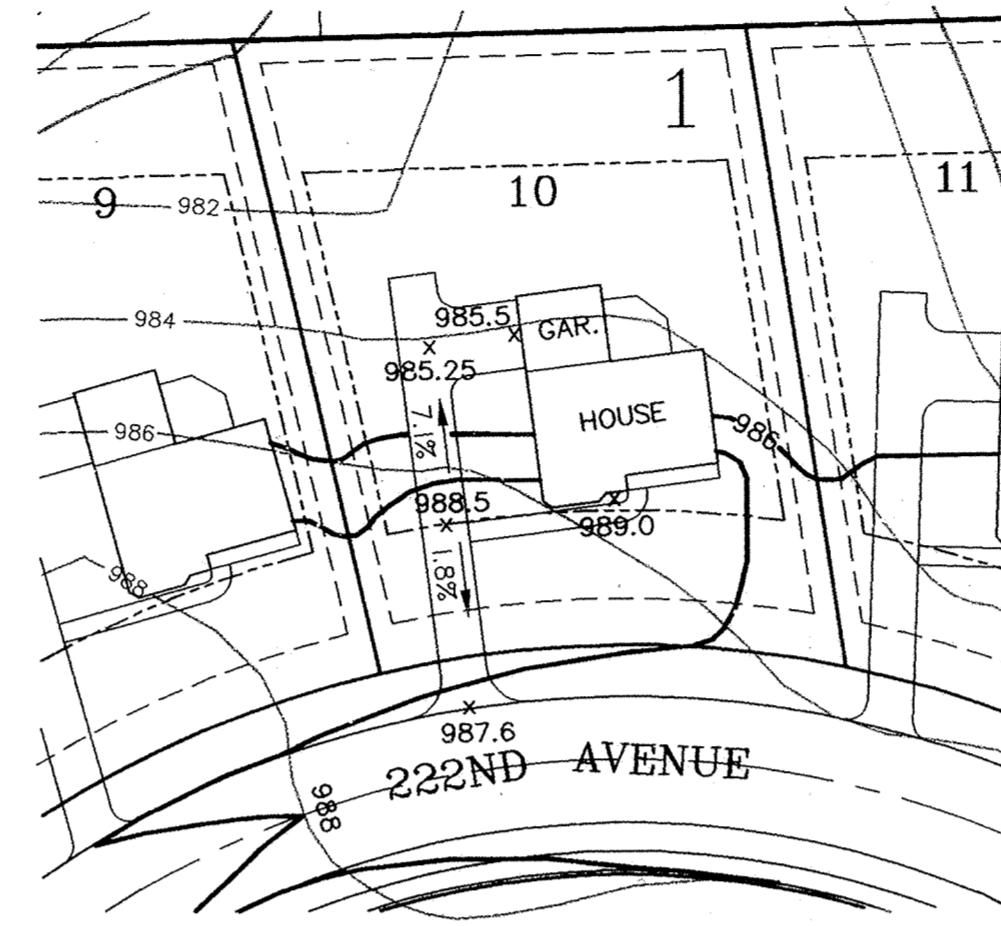
NOTE:
 1) BERM CONSTRUCTED W/BASE COURSE
 2) FINAL LIFT PLACED 1 YEAR AFTER BASE COURSE HAS BEEN INSTALLED.



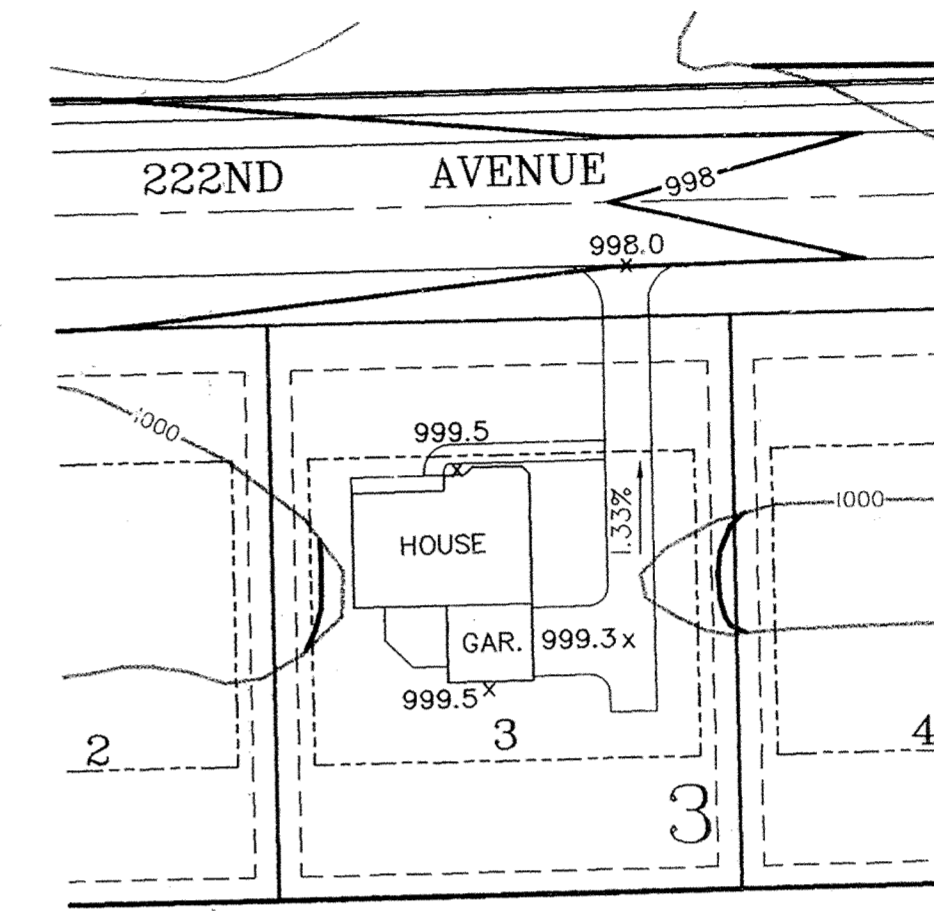
TYPICAL WOOD CHIP TRAIL SECTION



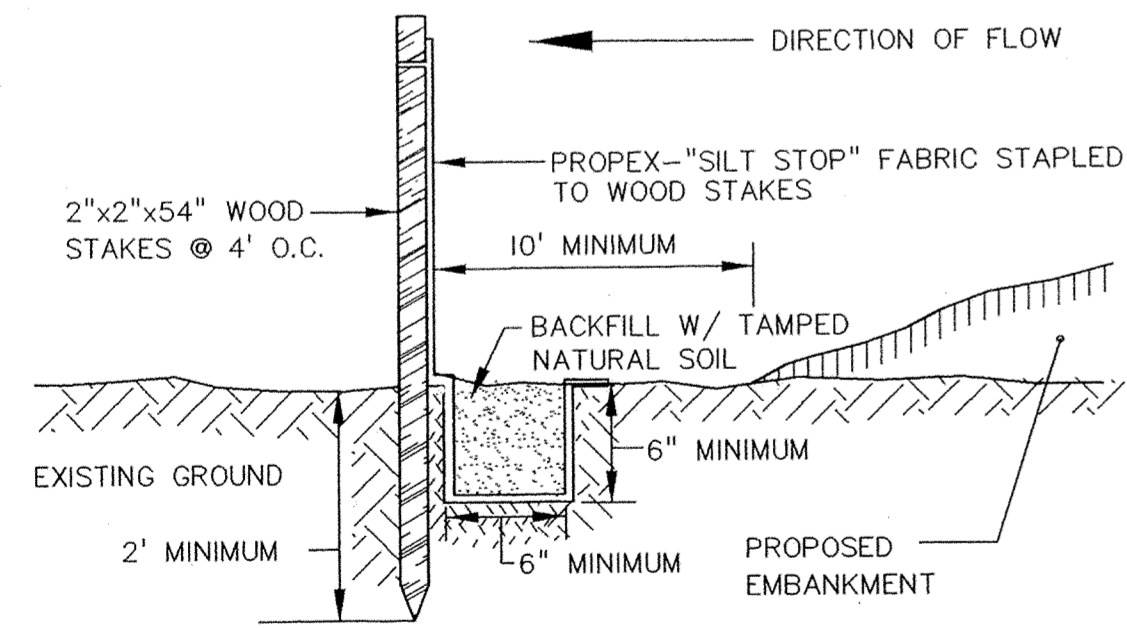
TYPICAL BITUMINOUS TRAIL SECTION



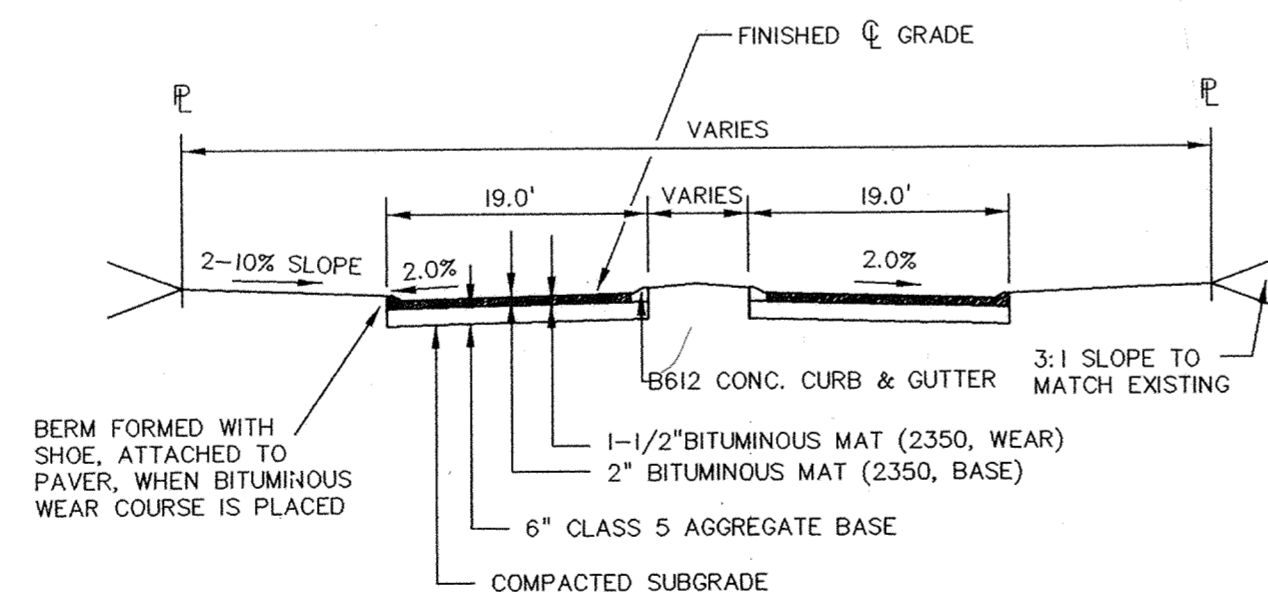
TYPICAL LOT GRADING (SPLIT)



TYPICAL LOT GRADING (FLAT)



SILT FENCE



TYPICAL STREET SECTION AT ISLANDS

RECORD DRAWINGS

REV. NO.	DATE	DESCRIPTION
1	5/8/01	CITY COMMENTS
2	1/18/05	RECORD DRAWINGS
3		

DESIGN BY: JKB
 DRAWN BY: JKB
 CHECKED BY: JKB
 DWG: 16DELT
 TEXT: NONE
 FILE NO.: 7918.10-03
 DATE: 4/9/01 Reg. No. 26777

John Oliver & Associates, Inc.
 Civil Engineering, Land Surveying, Land Planning
 500 Dodge Avenue
 Elk River, MN 55330
 763-441-2072 FAX 763-441-6665
 Offices in: Elk River, Burnsville
 and Brooklyn Park, Minnesota

THE RIDGES OF RICE LAKE
 ELK RIVER, MN
DYNAMICS DESIGN & LAND CO.

SHEET NO.
 16 OF 16