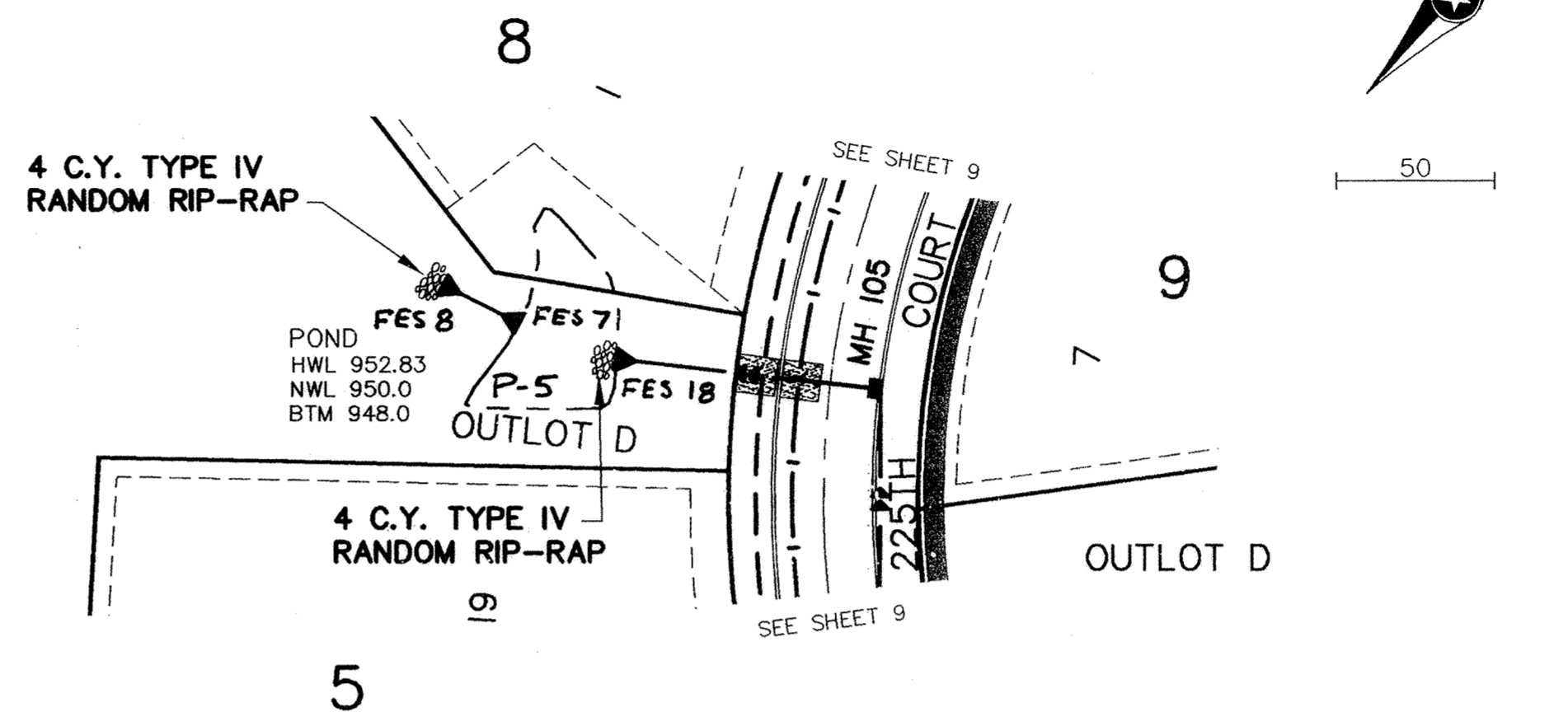
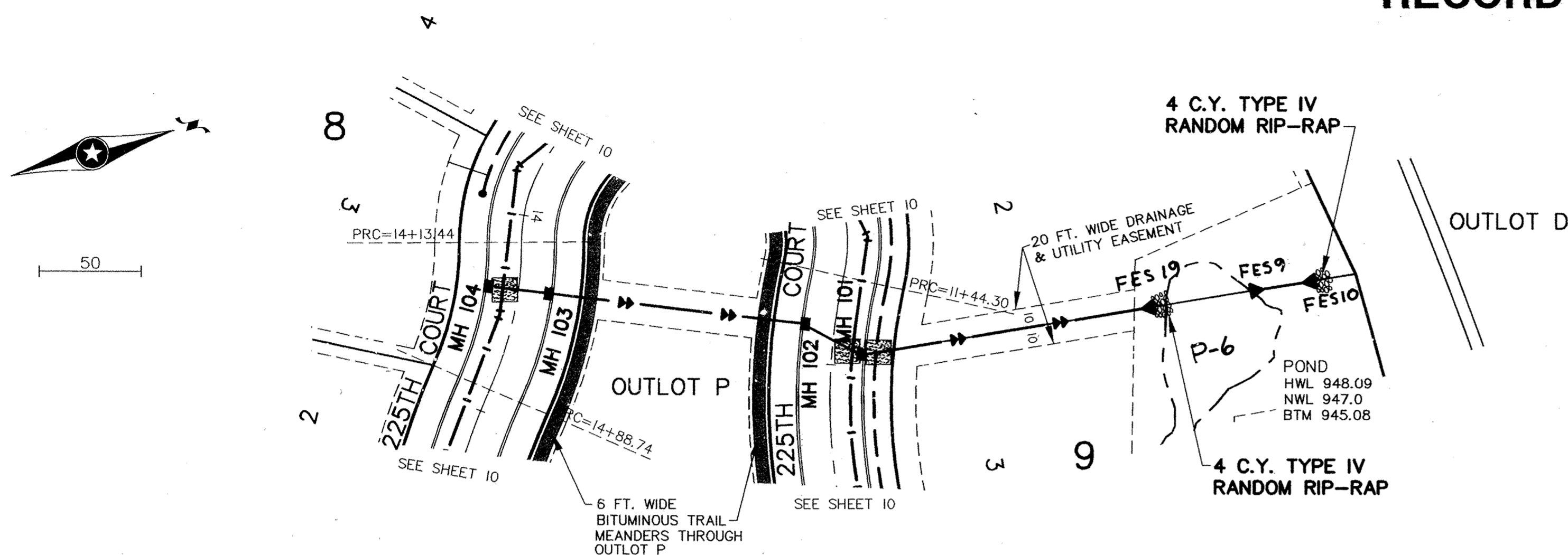
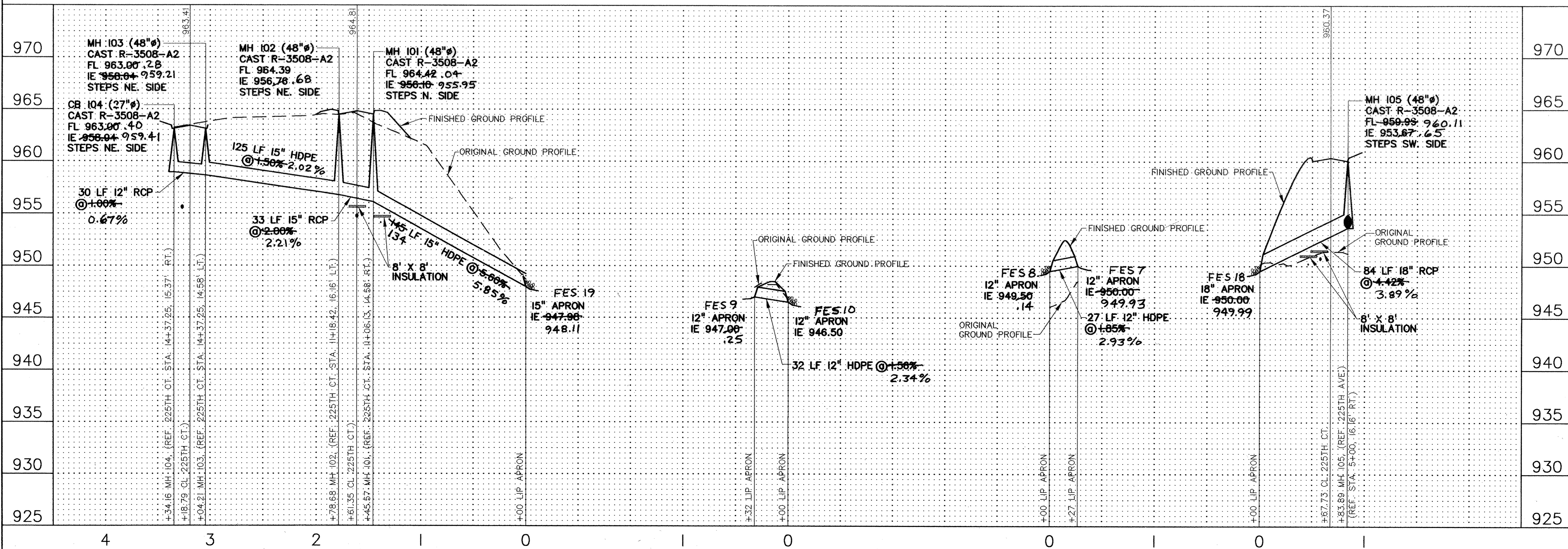


STORM SEWER EASEMENTS

RECORD DRAWINGS



■ DENOTES INSULATION



REV. NO.	DATE	DESCRIPTION
1	4/9/01	JK/BM
2	5/9/01	JK/BM
3	1/18/05	CITY COMMENTS

DATE: 4/9/01
 DESIGN BY: JK/BM
 DRAWN BY: BUC
 CHECKED BY: JK/BM
 DWG FILE: 11STORM
 TEXT FILE: NONE
 FILE NO.: 7918.10-03

I hereby certify that this plan, specification, or report was prepared by me or under my direct supervision and that I am a duly Licensed Professional Engineer under the laws of the state of Minnesota.

Signature: *John Oliver*
 Date: 4/9/01 Reg. No. 26777

John Oliver & Associates, Inc.
 Civil Engineering, Land Surveying, Land Planning
 580 Dodge Avenue
 Elk River, Minnesota 55330
 763-441-2072 FAX 763-441-5665
 Offices in: Elk River, Burnsville and Brooklyn Park, Minnesota

THE RIDGES OF RICE LAKE
 ELK RIVER, MN
DYNAMICS DESIGN & LAND CO.
 STREET, SAN. SEWER, STORM SEWER &
 WATERMAIN CONSTRUCTION PLAN
 STORM SEWER EASEMENTS

SHEET NO. 11 OF 16