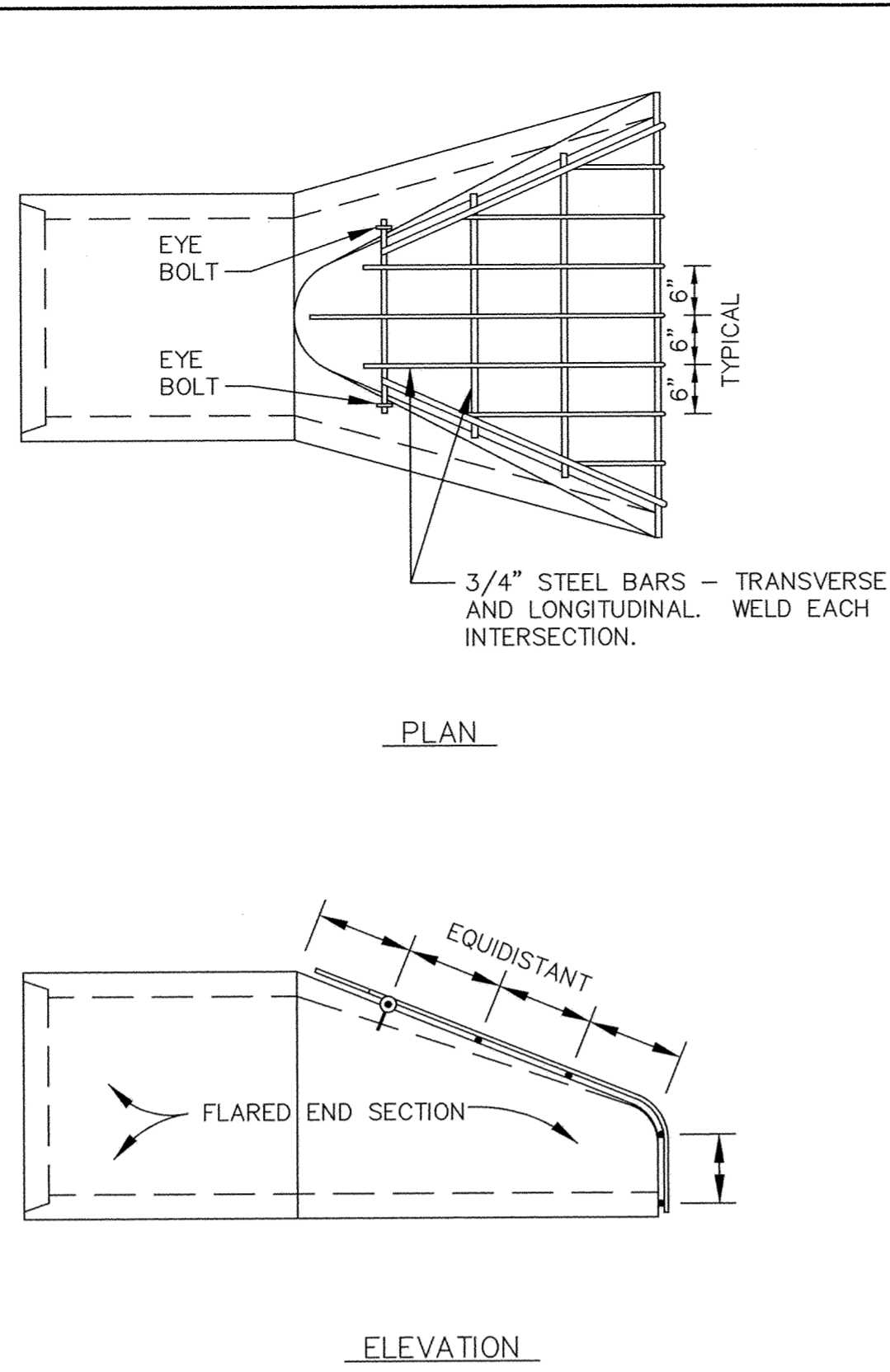
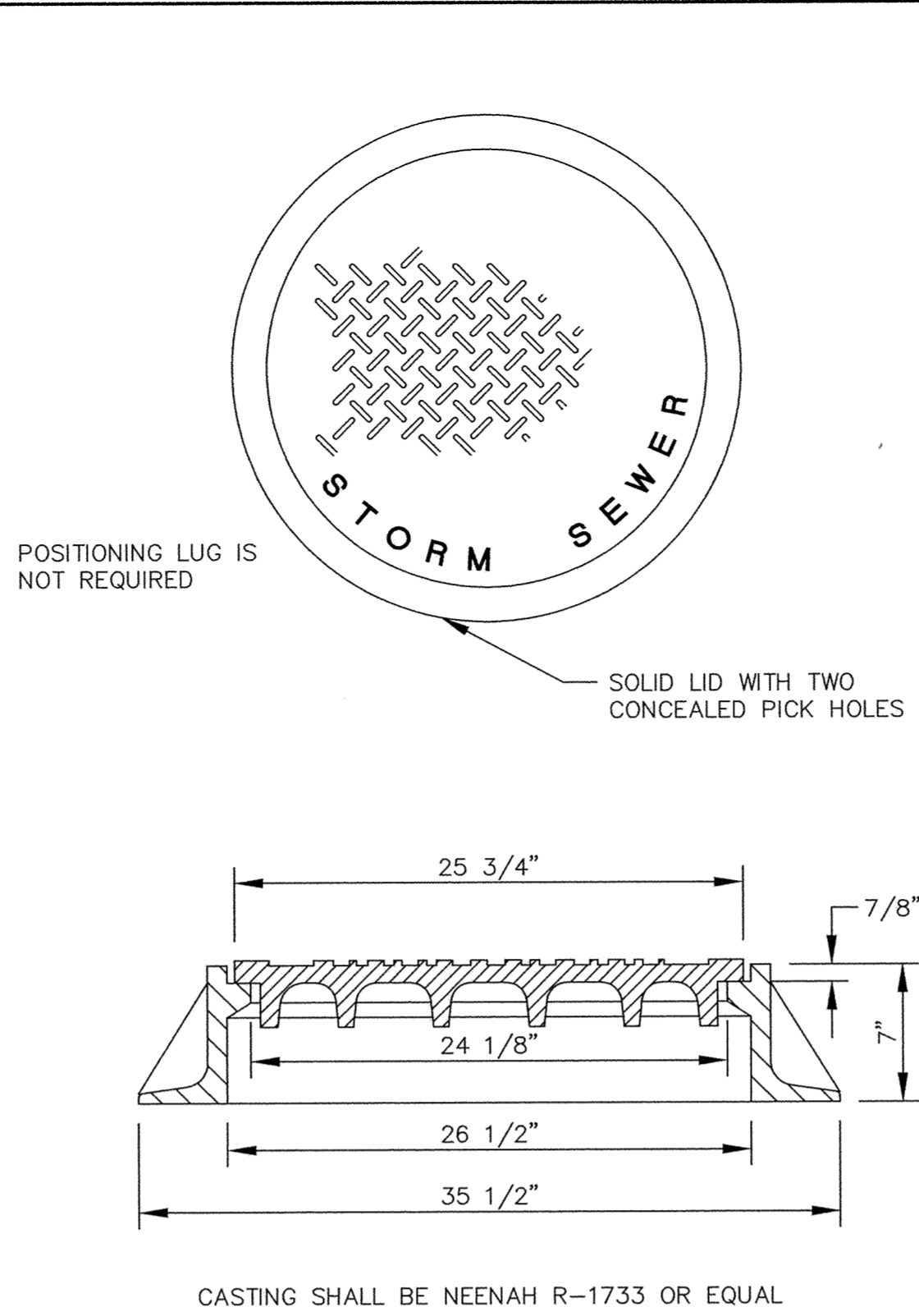


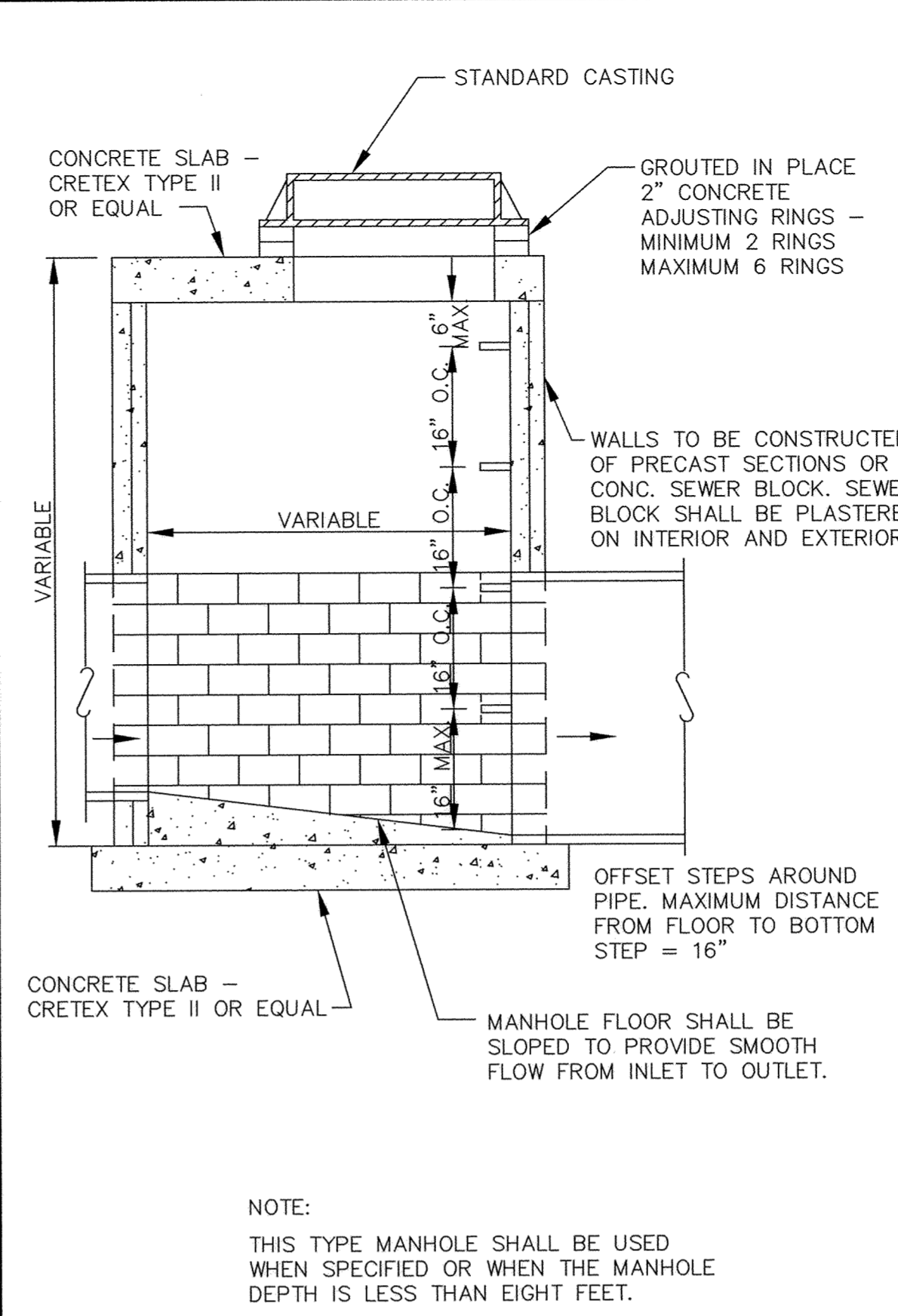
RIP-RAP INSTALLATION



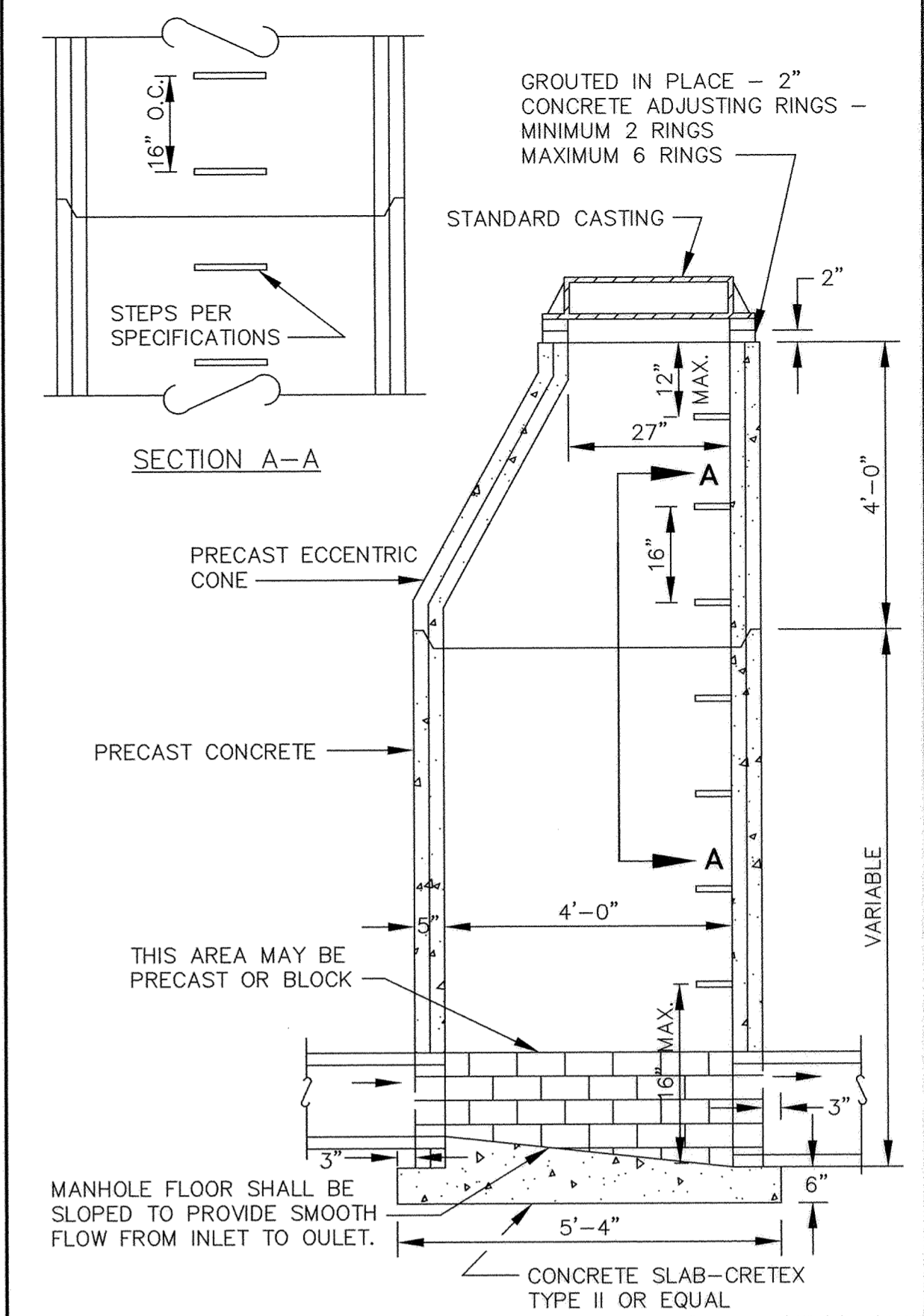
TRASH GUARD



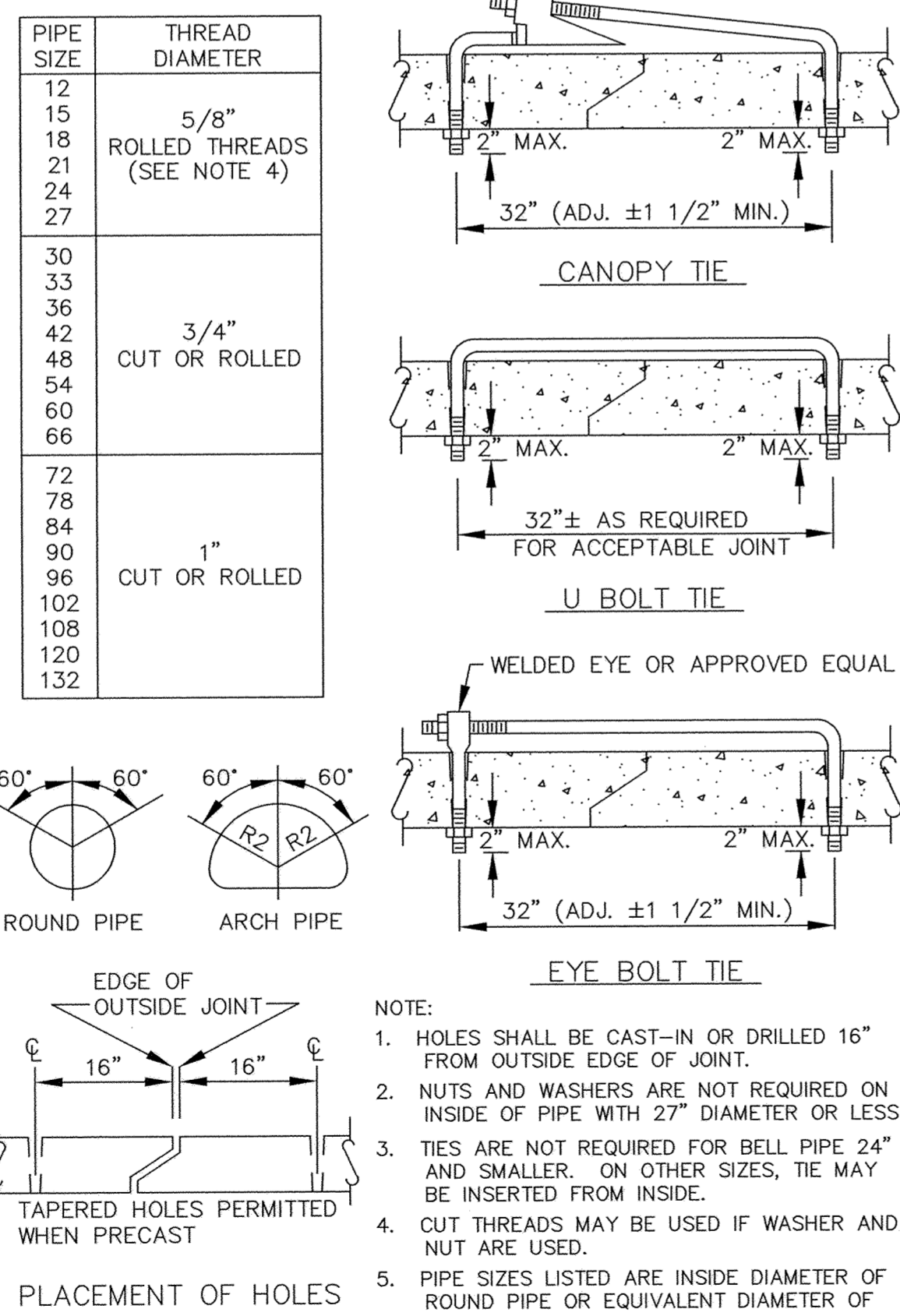
STANDARD MANHOLE CASTING



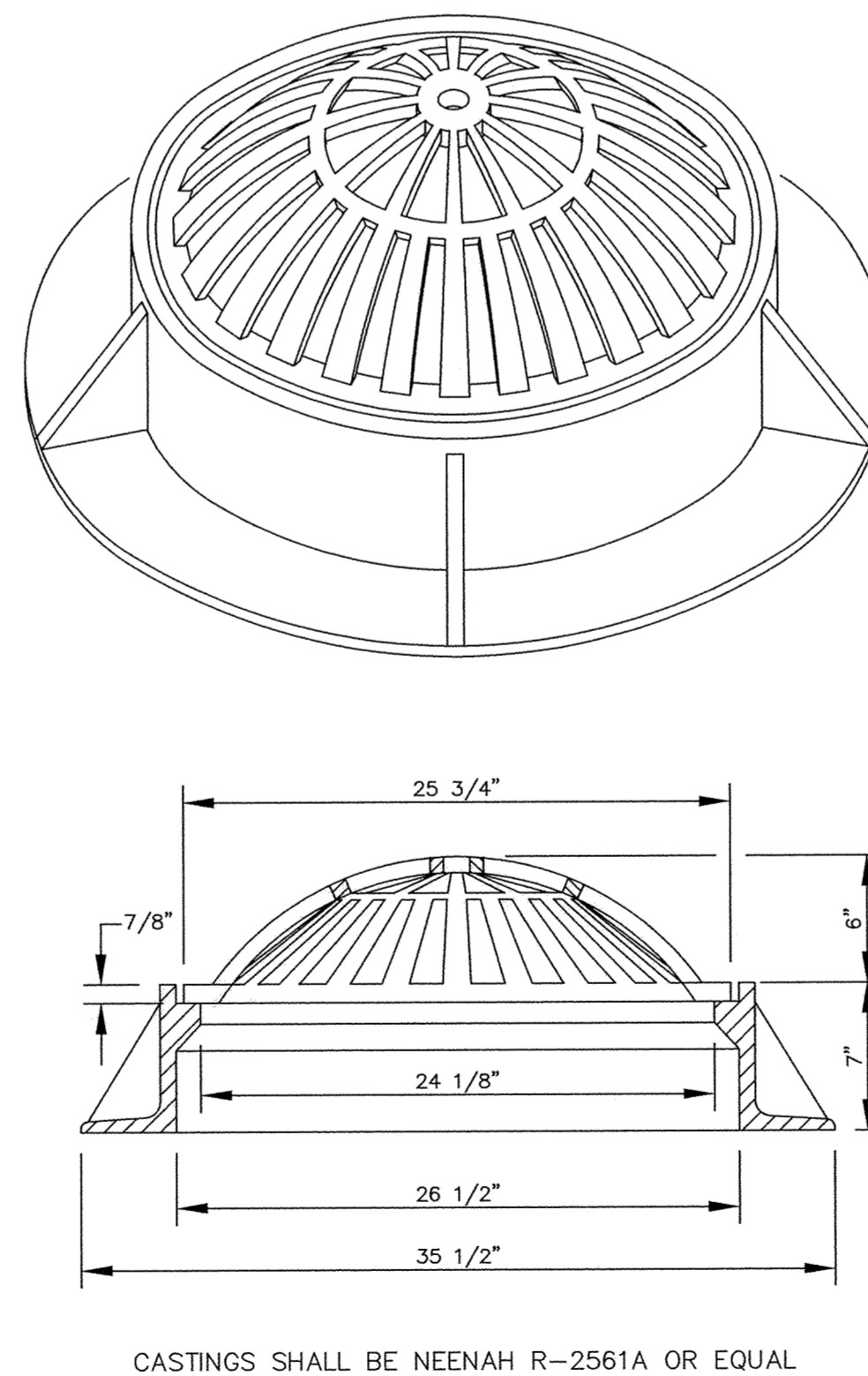
SLAB TOP MANHOLE



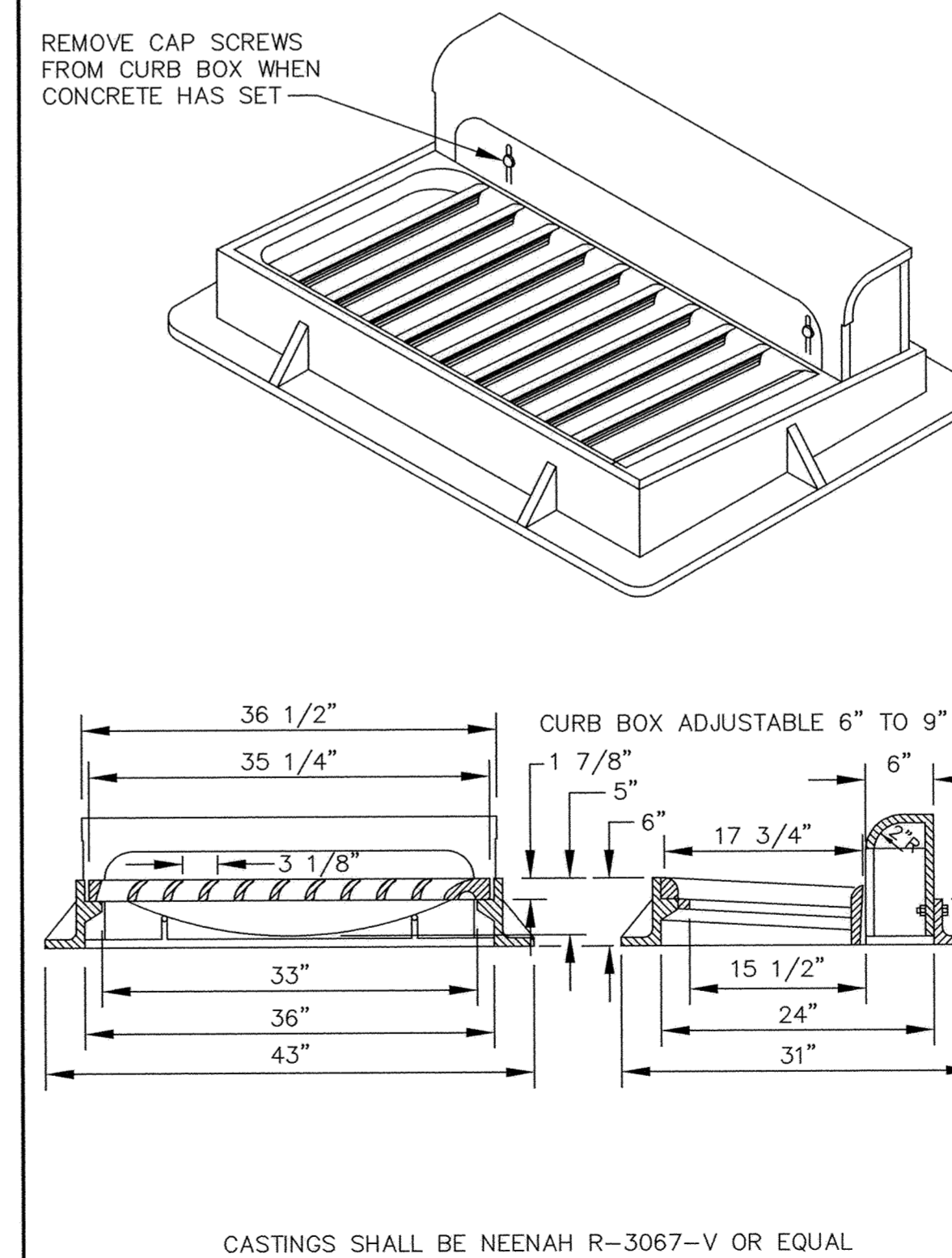
STANDARD MANHOLE



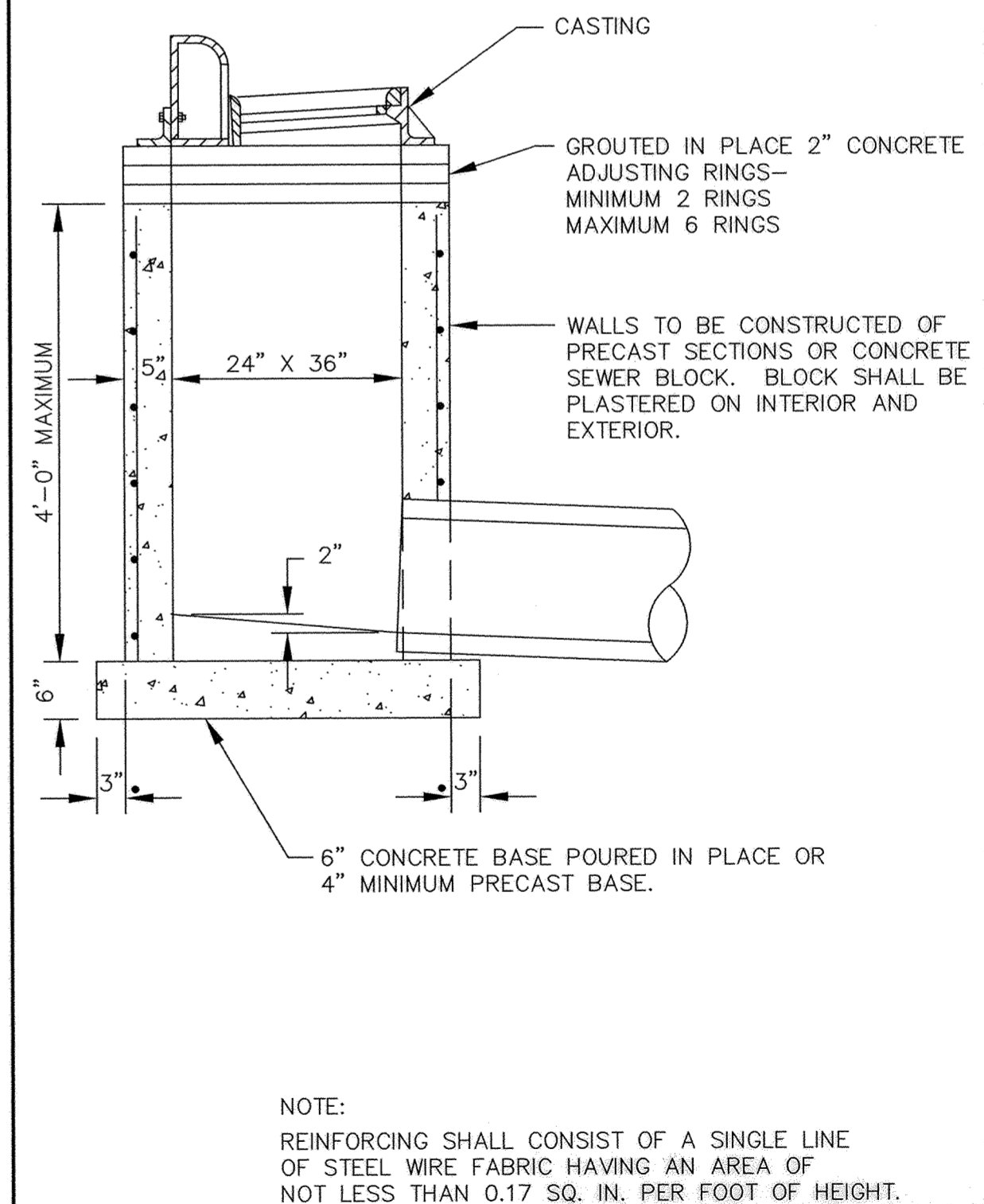
CONCRETE PIPE JOINT TIES



BEEHIVE CASTING



STANDARD INLET CASTING



SHALLOW CATCH BASIN

I HEREBY CERTIFY THAT THIS PLAN, SPECIFICATION, OR REPORT WAS PREPARED BY ME OR UNDER MY DIRECT SUPERVISION AND THAT I AM A DULY REGISTERED PROFESSIONAL ENGINEER UNDER THE LAWS OF THE STATE OF MINNESOTA.

Larry J. Mauer

DATE 12/1/96 REG. NO. 15316



1326 ENERGY PARK DRIVE
ST. PAUL, MINNESOTA 55108
(612) 644-4389

DATE	DESCRIPTION	DESIGNED - SEF	CHECKED - RB

REVISIONS

GRAPHIC SCALE

0 L HORIZ.

0 L VERT.

CITY OF ELK RIVER			
ORONO LAKE 3RD ADD., JOPLIN STREET			
& LOWELL AVENUE			
STORM SEWER DETAILS			
DATE NOV. 1996	SHEET 29 OF 31 SHEETS	PROJECT NO. 230-320	