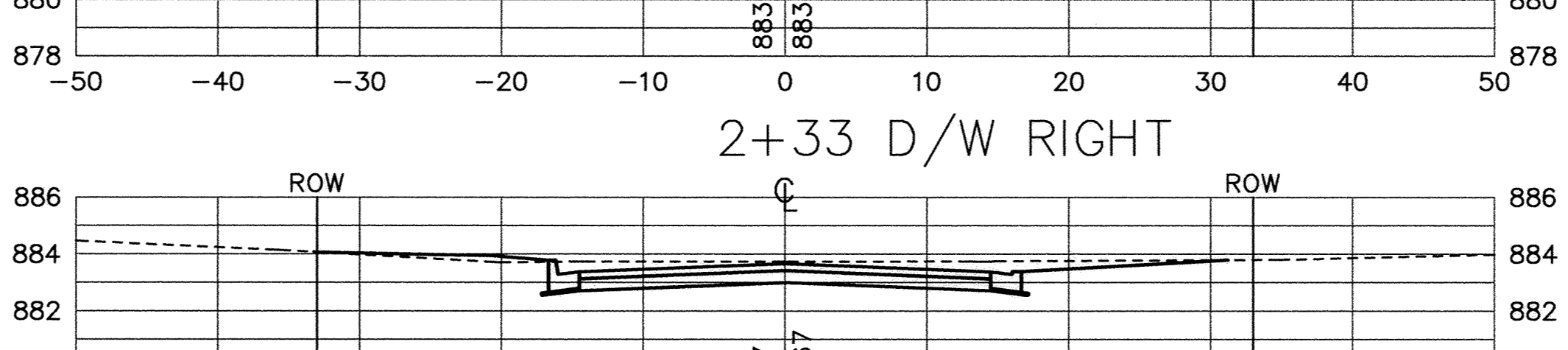
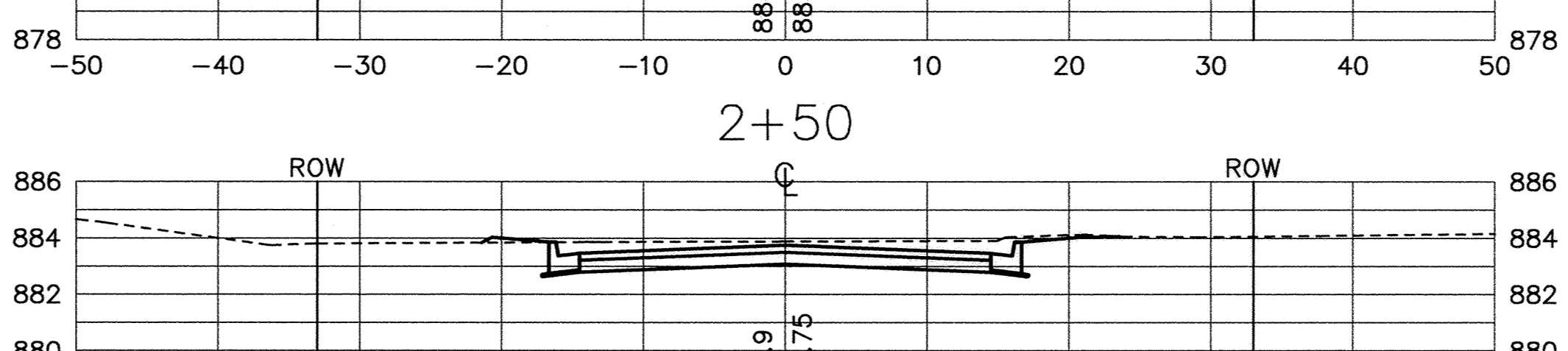
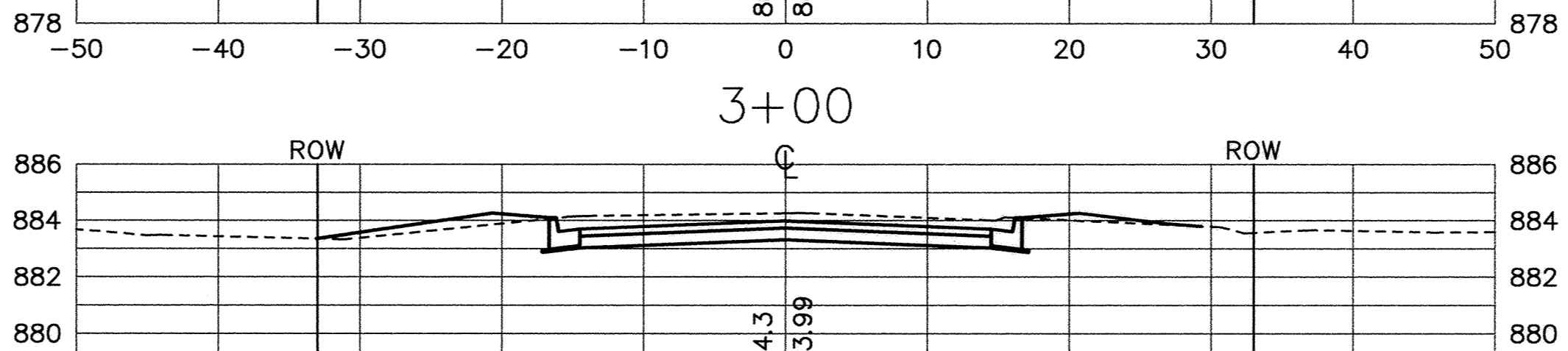
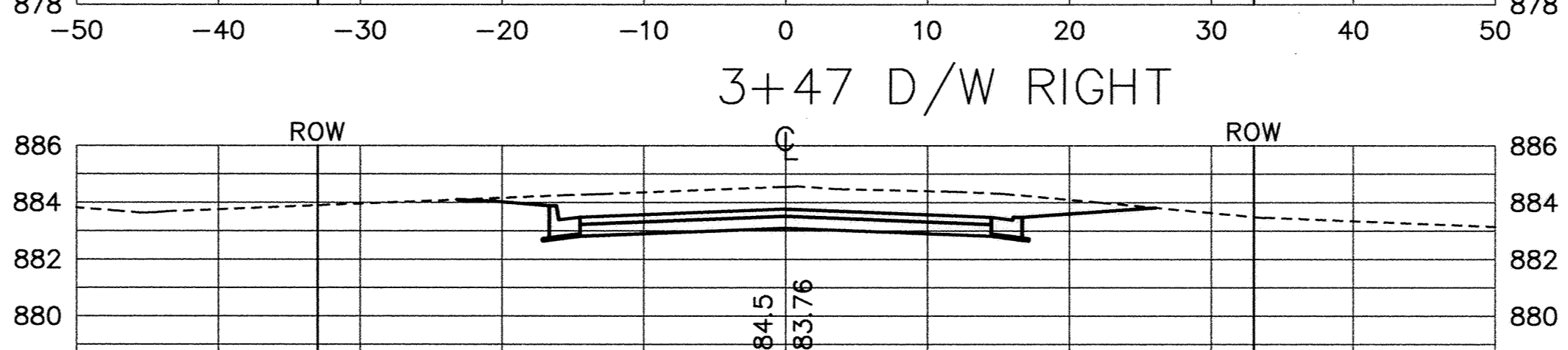
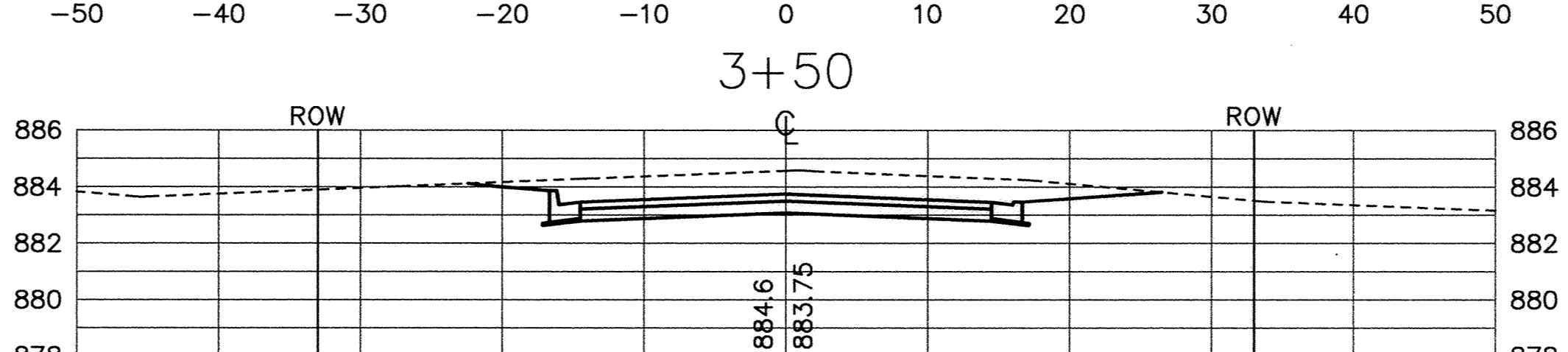
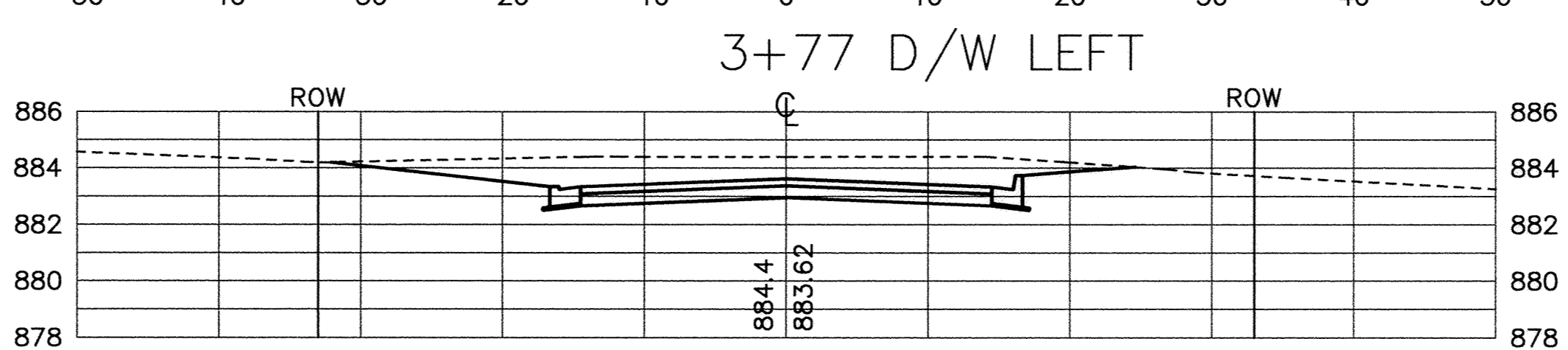
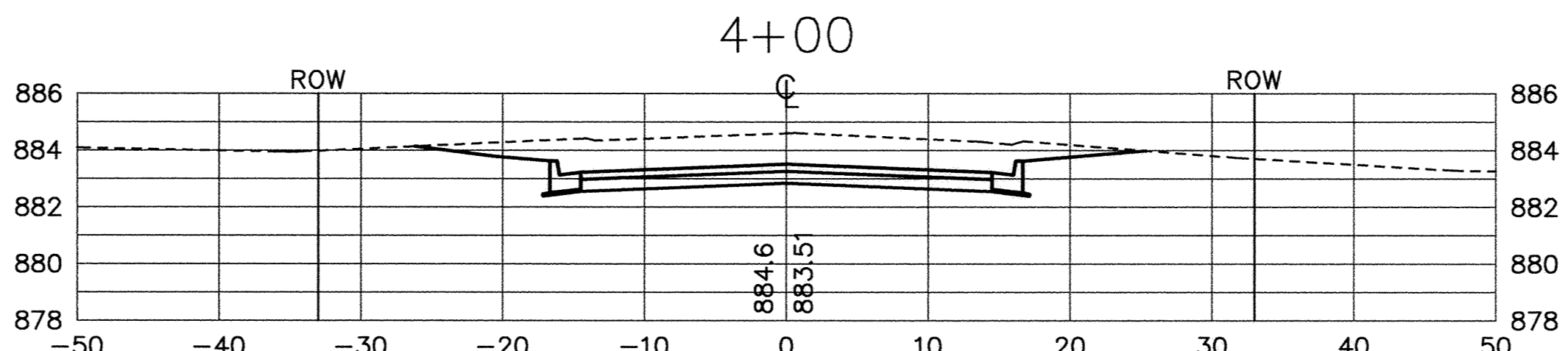
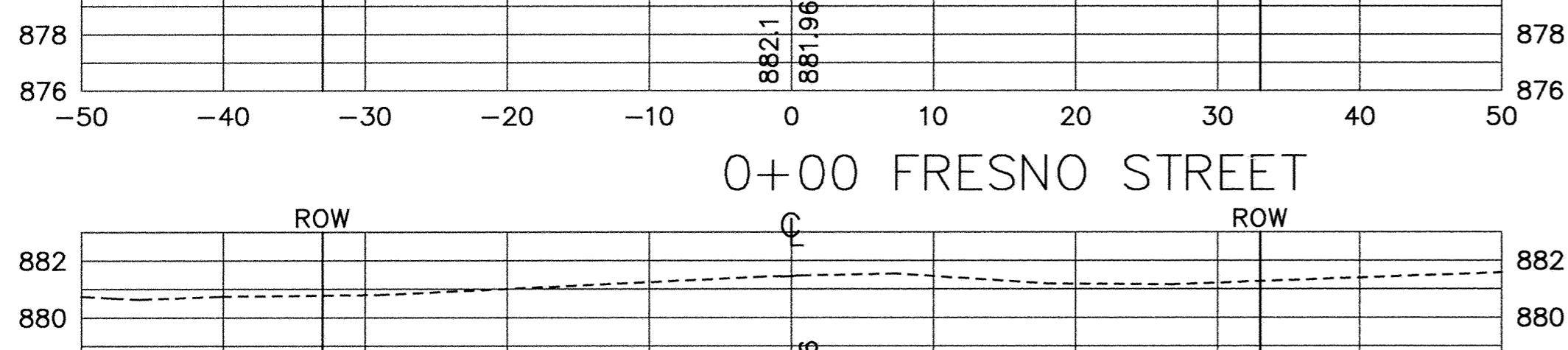
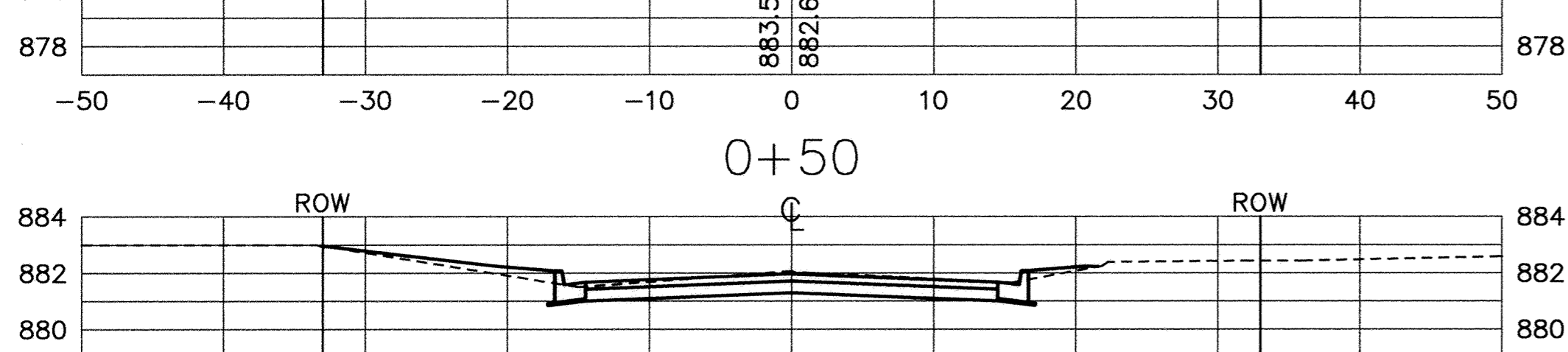
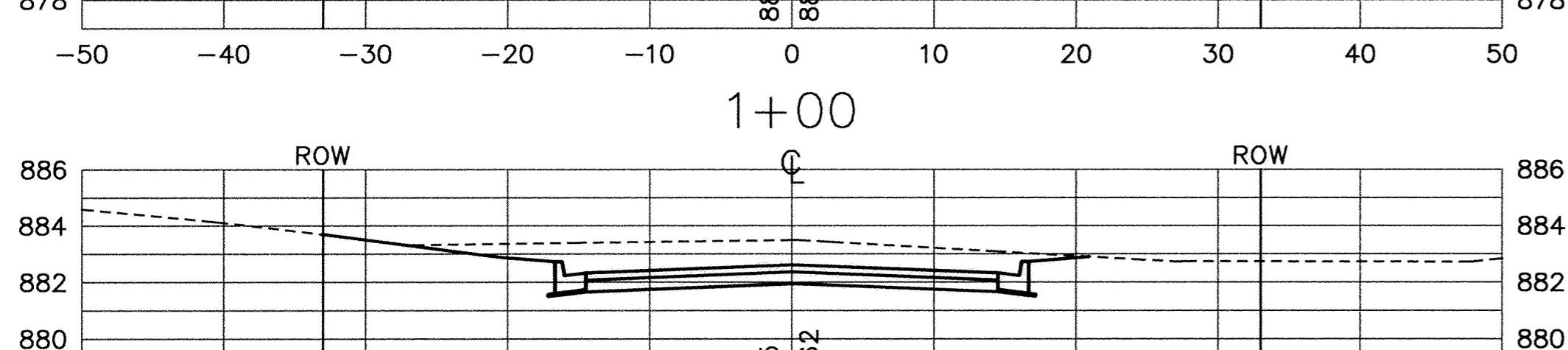
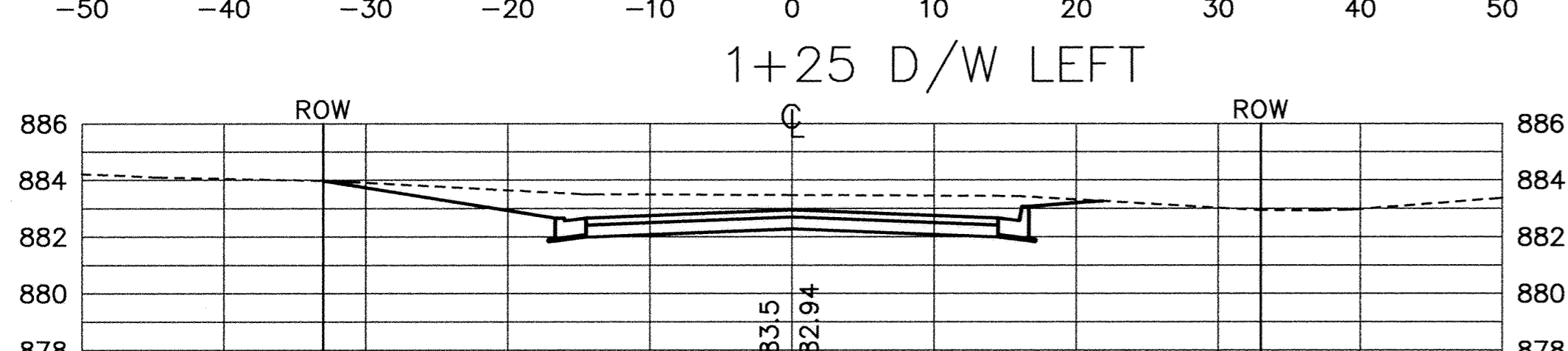
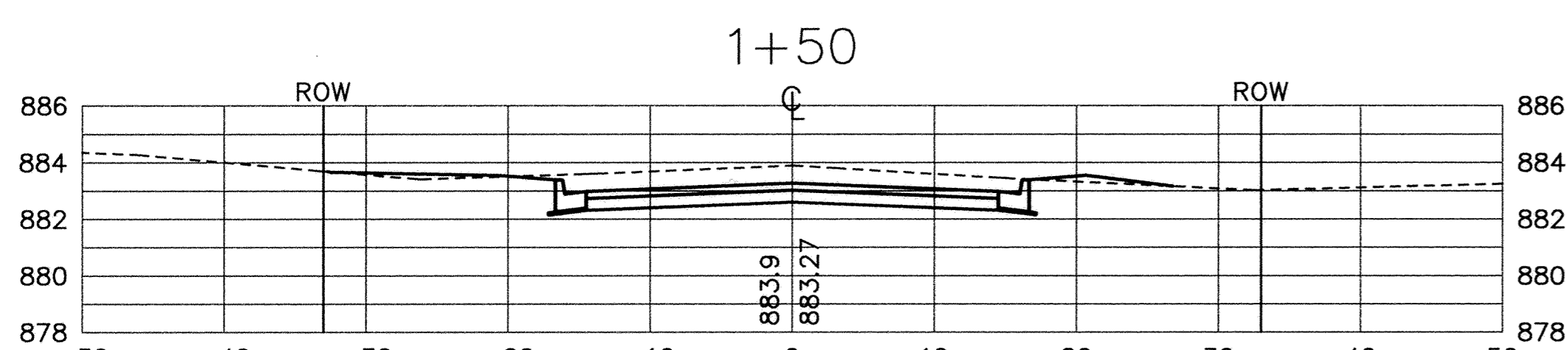
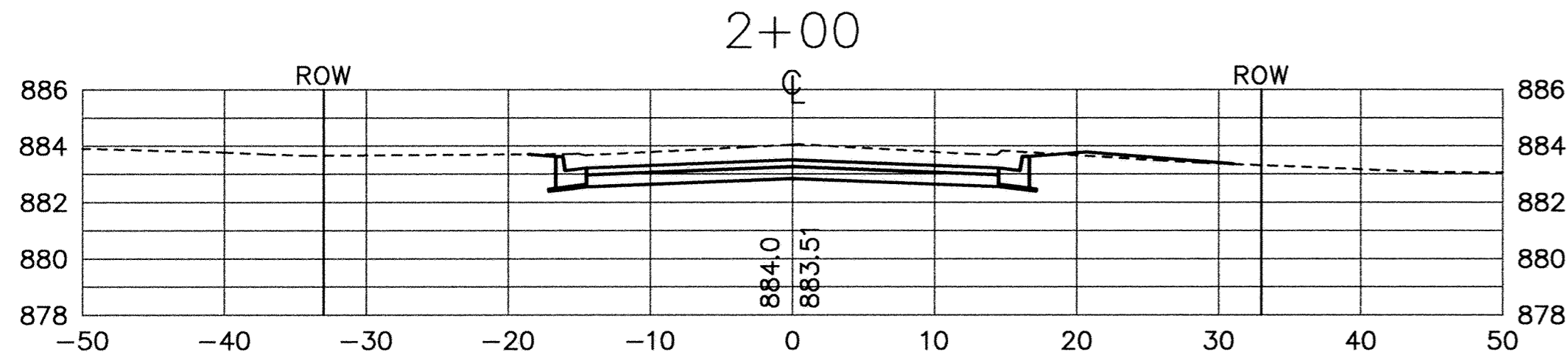
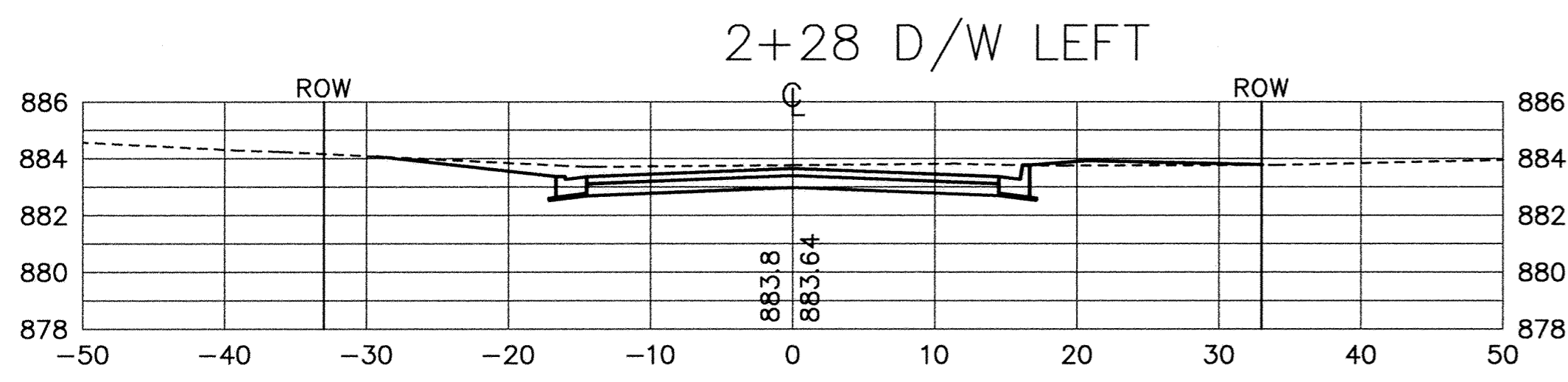


SAICO PRODUCTS - NEW HARBOR, MINNESOTA
REGISTERED BY PLAN NUMBER 8558
SAICO PRODUCTS - NEW HARBOR, MINNESOTA
REGISTERED BY PLAN NUMBER 8558
SAICO PRODUCTS - NEW HARBOR, MINNESOTA
REGISTERED BY PLAN NUMBER 8558
SAICO PRODUCTS - NEW HARBOR, MINNESOTA
REGISTERED BY PLAN NUMBER 8558



RECORD DRAWING
OCTOBER 1997

I HEREBY CERTIFY THAT THIS PLAN, SPECIFICATION, OR REPORT WAS PREPARED BY ME OR UNDER MY DIRECT SUPERVISION AND THAT I AM A DULY REGISTERED PROFESSIONAL ENGINEER UNDER THE LAWS OF THE STATE OF MINNESOTA.

Thomas J. Mauer
DATE 12/9/96 REG. NO. 15316



1326 ENERGY PARK DRIVE
ST. PAUL, MINNESOTA 55108
(612) 644-4389

DATE	DESCRIPTION	DESIGNED	CHK
		SEE	
		CHECKED	PP
		DRAWN	RKM
REVISIONS		GRAPHIC SCALE	
		0	10
		0	5
		VERT.	

CITY OF ELK RIVER ORONO LAKE 3RD STREET AND UTILITY IMPROVEMENTS 183RD AVENUE CROSS SECTIONS		0+00 TO 4+00
DATE NOV. 1996	SHEET 11 OF 31 SHEETS	PROJECT NO. 230-320