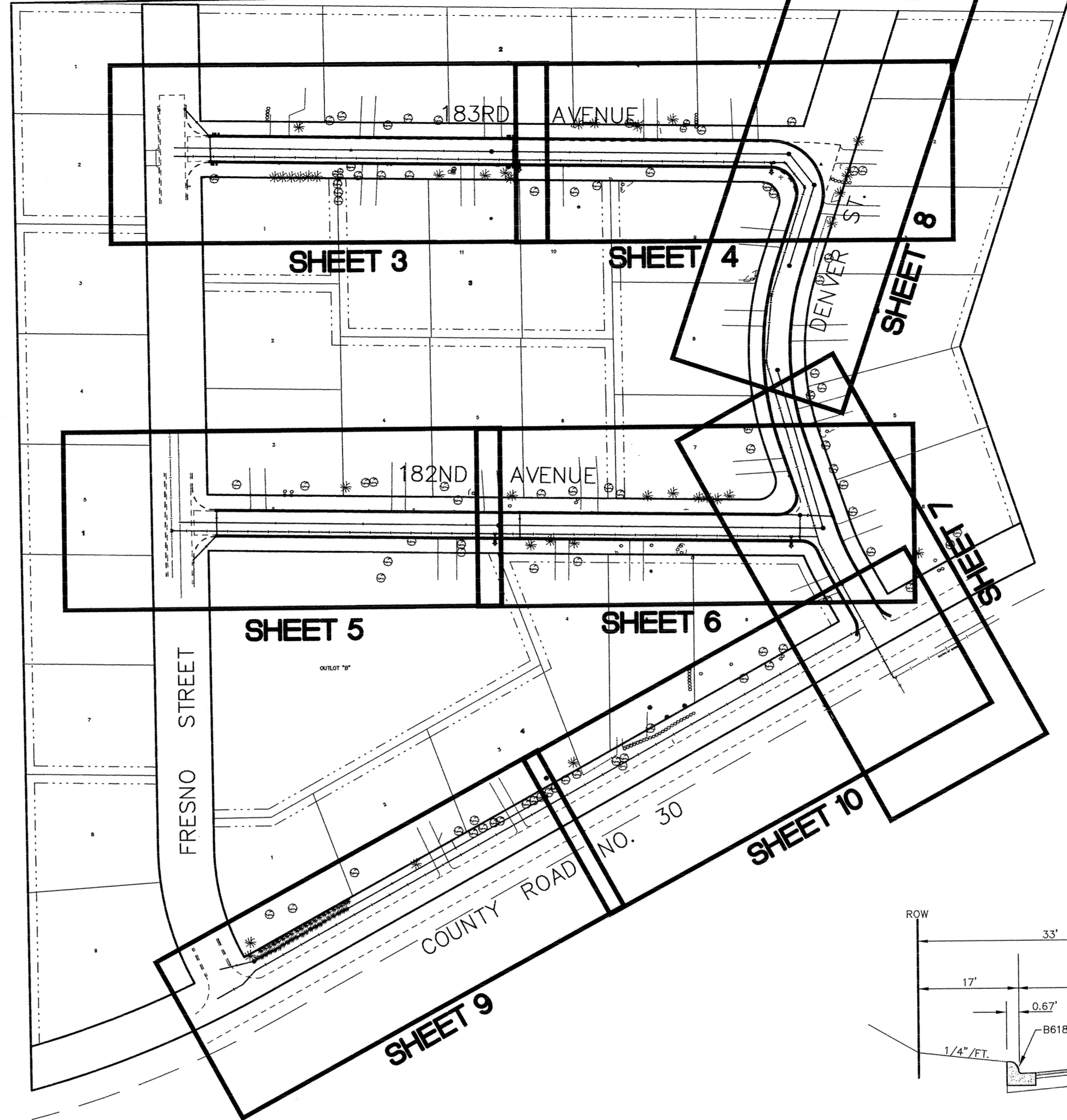
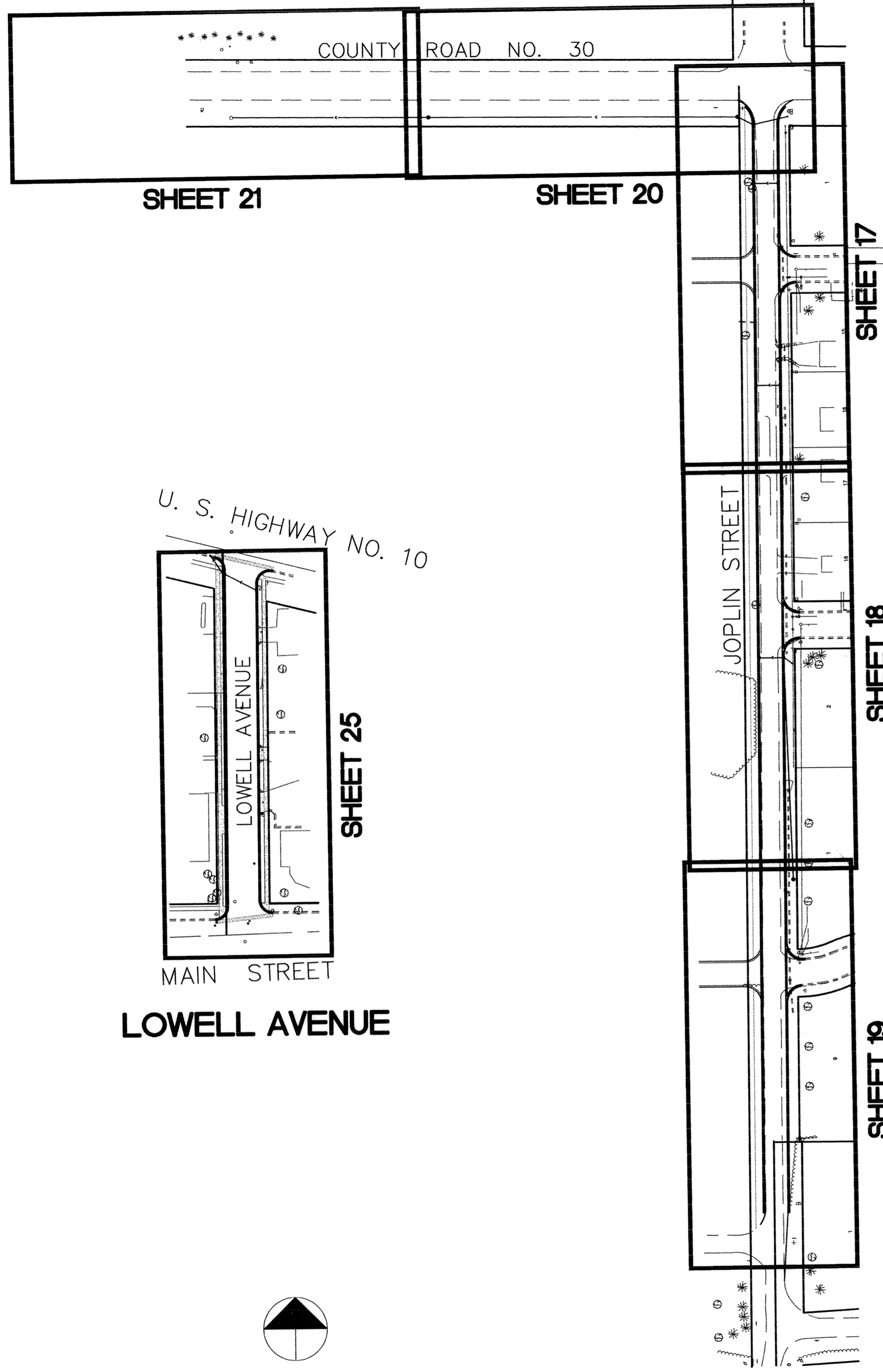
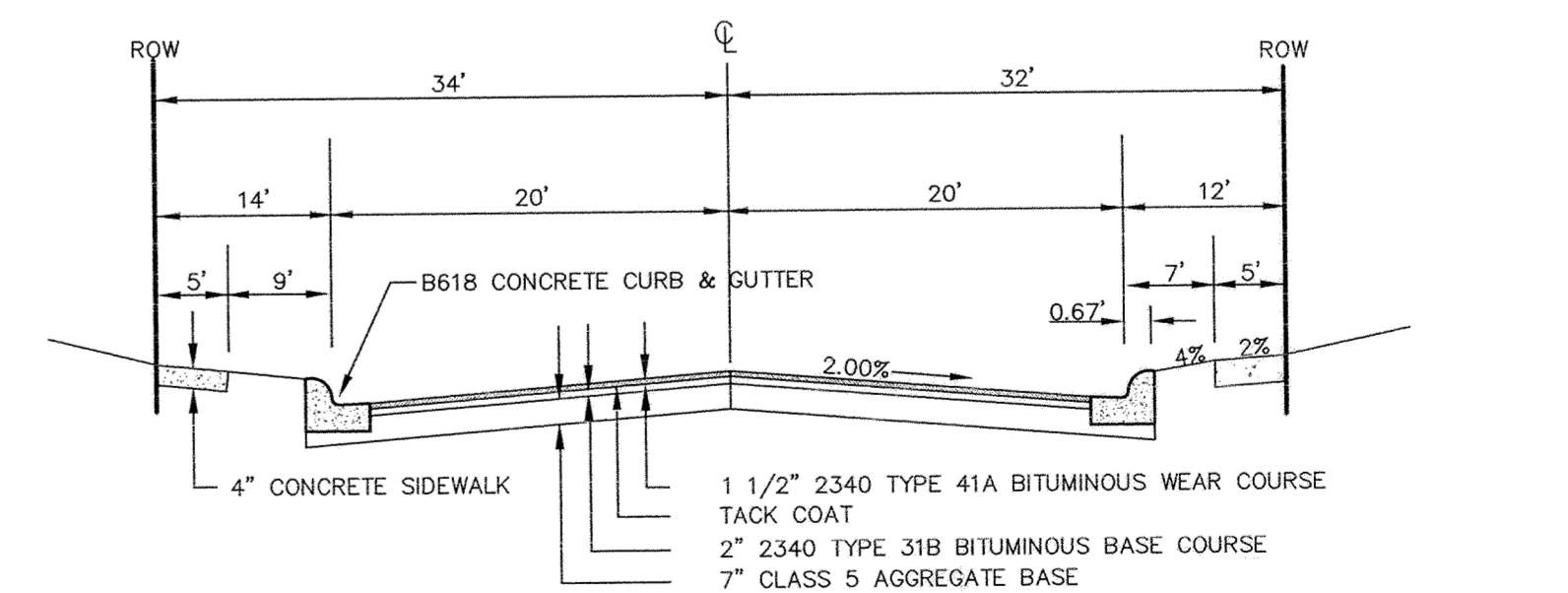
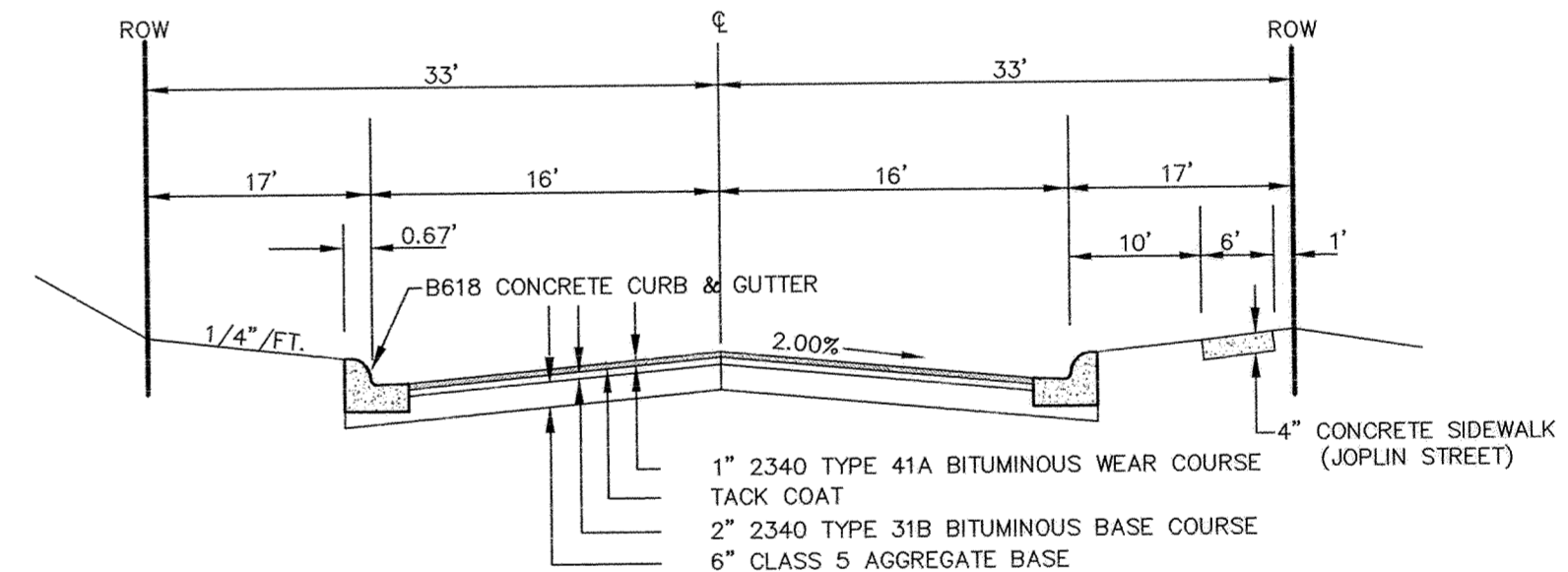


SAECO PRODUCTS • NEW UPRR, MINNESOTA
PROJECT NO. 230-320
DESIGNED BY RAYMOND G. BISHOP
DRAWN BY RAYMOND G. BISHOP
CHECKED BY RAYMOND G. BISHOP
DATE NOV. 1996



ORONO LAKE 3RD ADDITION



RECORD DRAWING
OCTOBER 1997

I HEREBY CERTIFY THAT THIS PLAN, SPECIFICATION, OR REPORT WAS PREPARED BY ME OR UNDER MY DIRECT SUPERVISION AND THAT I AM A DULY REGISTERED PROFESSIONAL ENGINEER UNDER THE LAWS OF THE STATE OF MINNESOTA.

Raymond G. Bishop
DATE 12/9/96 REG. NO. 15316



1326 ENERGY PARK DRIVE
ST. PAUL, MINNESOTA 55108
(612) 644-4389

REVISIONS	DATE	DESCRIPTION

DESIGNED: RKB
CHECKED: RKB
DRAWN: RKB
GRAPHIC SCALE: 0 to 20
VERT. SCALE: 1/4" = 1'

CITY OF ELK RIVER
LOCATION MAP AND STREET SECTION
ORONO LAKE 3RD ADDITION, LOWELL AVENUE
AND JOPLIN STREET

DATE NOV. 1996 SHEET 2 OF 31 SHEETS PROJECT NO. 230-320