

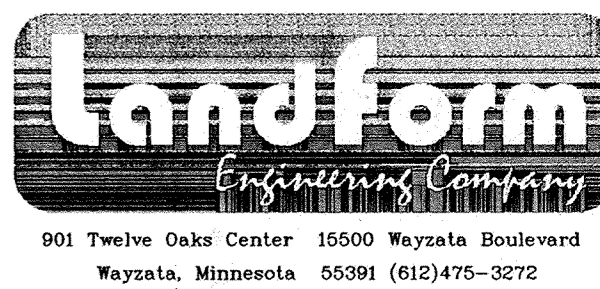
CITY OF
ELK RIVER
MINNESOTA

OWNER/DEVELOPER
RICHARD LUND
3075 COON RAPIDS BLVD.
COON RAPIDS, MINNESOTA
55433

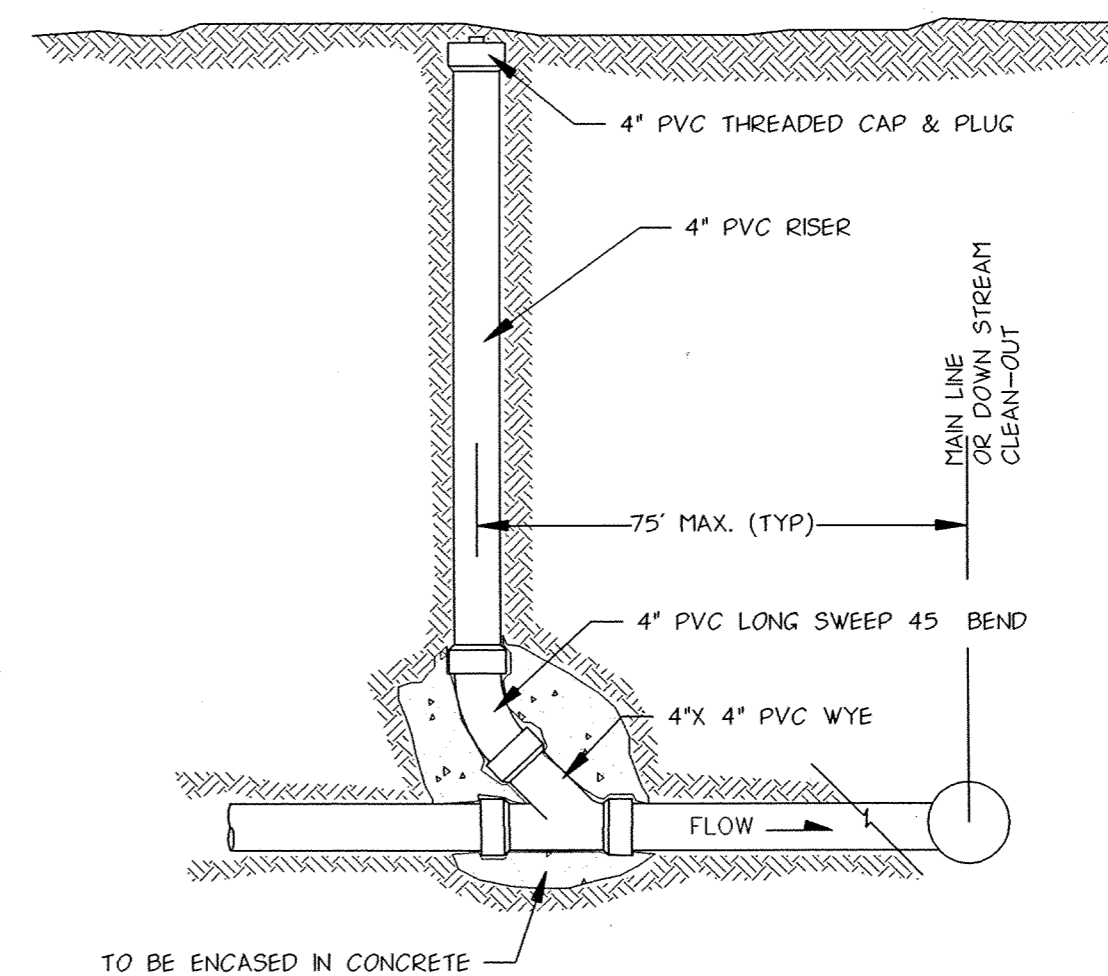
SHEET	TITLE	REV.
C11	TITLE SHEET	
C21	FINAL PLAN	
C33	100 SCALE GRADING PLAN	
C42	UTILITIES & STREETS 195TH AVE. NORTH	
C43	195TH AVE. NORTH	
C44	BOSTON STREET	
C45	ALBANY COURT ALBANY STREET	
C46	ZUMBRO STREET	
C47	194TH AVE. NO.	
C91	DETAIL SHEET	
C92	DETAIL SHEET	
C93	BOOSTER STATION DETAIL	

DATE	REVISION
7-3-96	CITY COMMENTS

CERTIFICATION
I hereby certify that this plan was prepared by me, or under my direct supervision, and that I am a duly registered Professional Engineer under the laws of the state of MINNESOTA.
Stephen H. Johnston
Stephen H. Johnston
Registration No. 1881 Date: 5-15-96

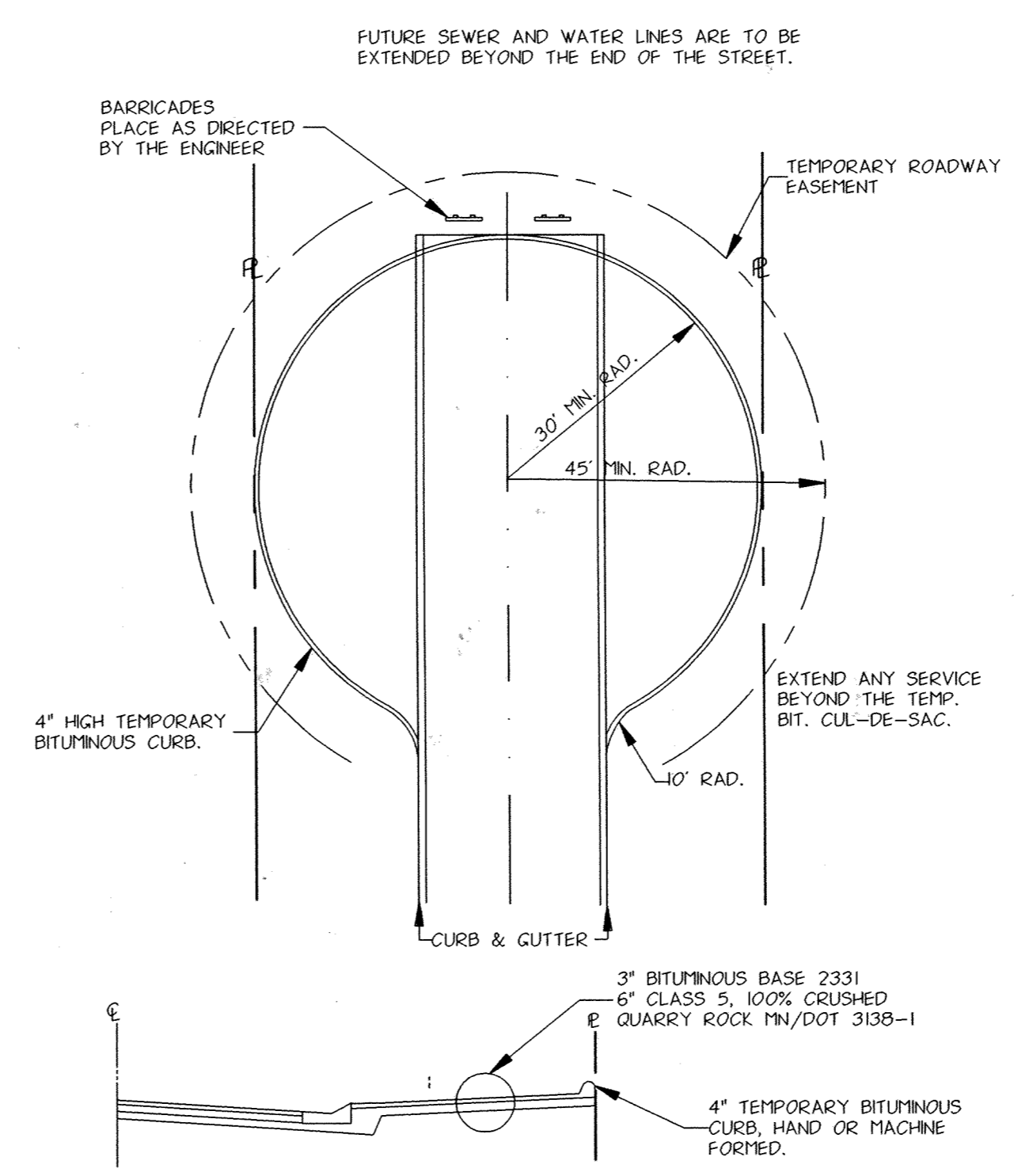


DATE: 5-15-96
FILE NAME: C9202NWDWG
PROJECT NO. HC95004
DETAIL SHEET
C9.2

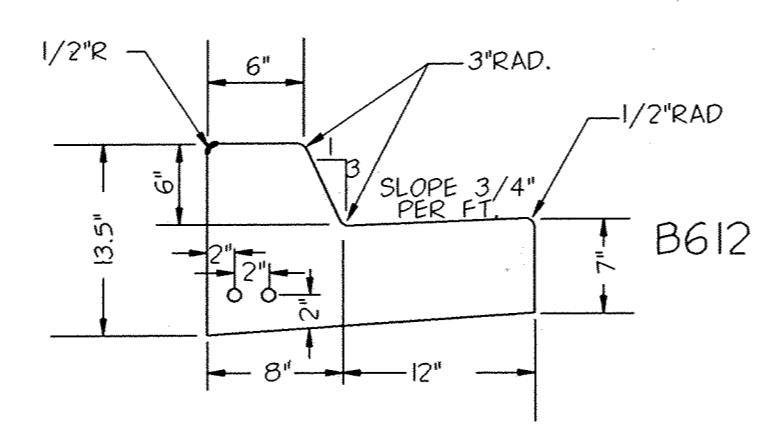


NOTES:
- RISER PIPE SHALL BE EXTENDED ABOVE GROUND LEVEL INITIALLY & THEN IT MAY BE CUT BACK TO MATCH FINAL GRADE (BY OTHERS)
- POSITION CLEAN-OUTS UPSTREAM OF BENDS, WHEN FEASIBLE.

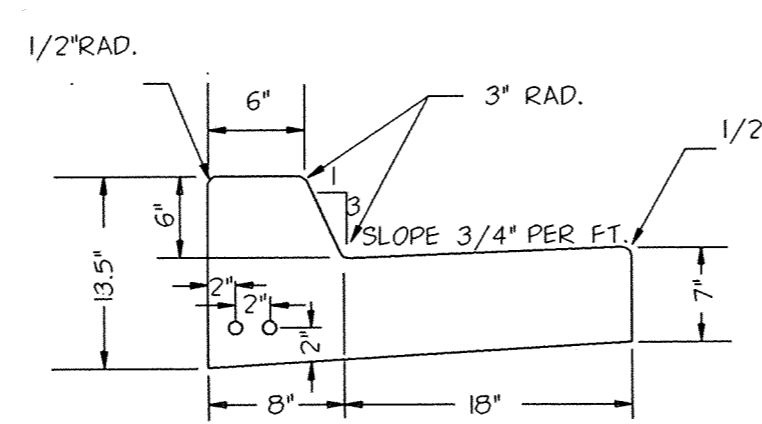
8 SANITARY SEWER CLEANOUT



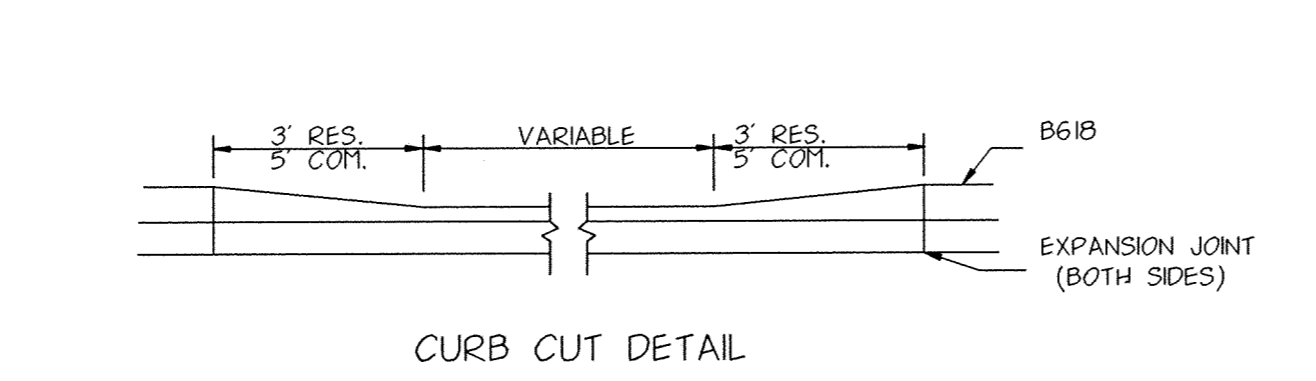
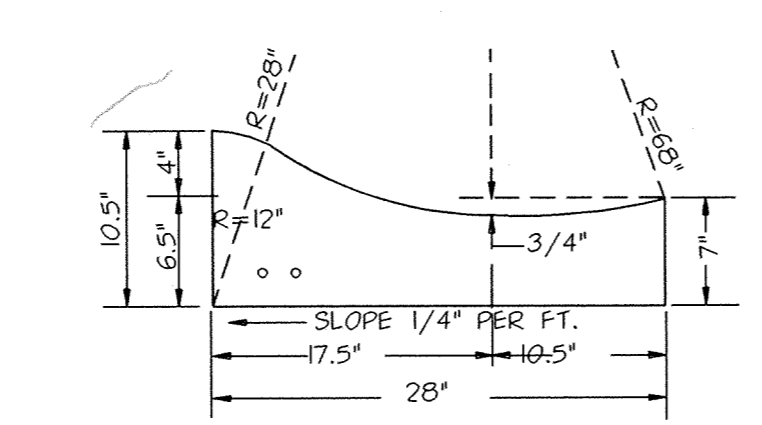
9 TEMPORARY BIT. CUL-DE-SAC



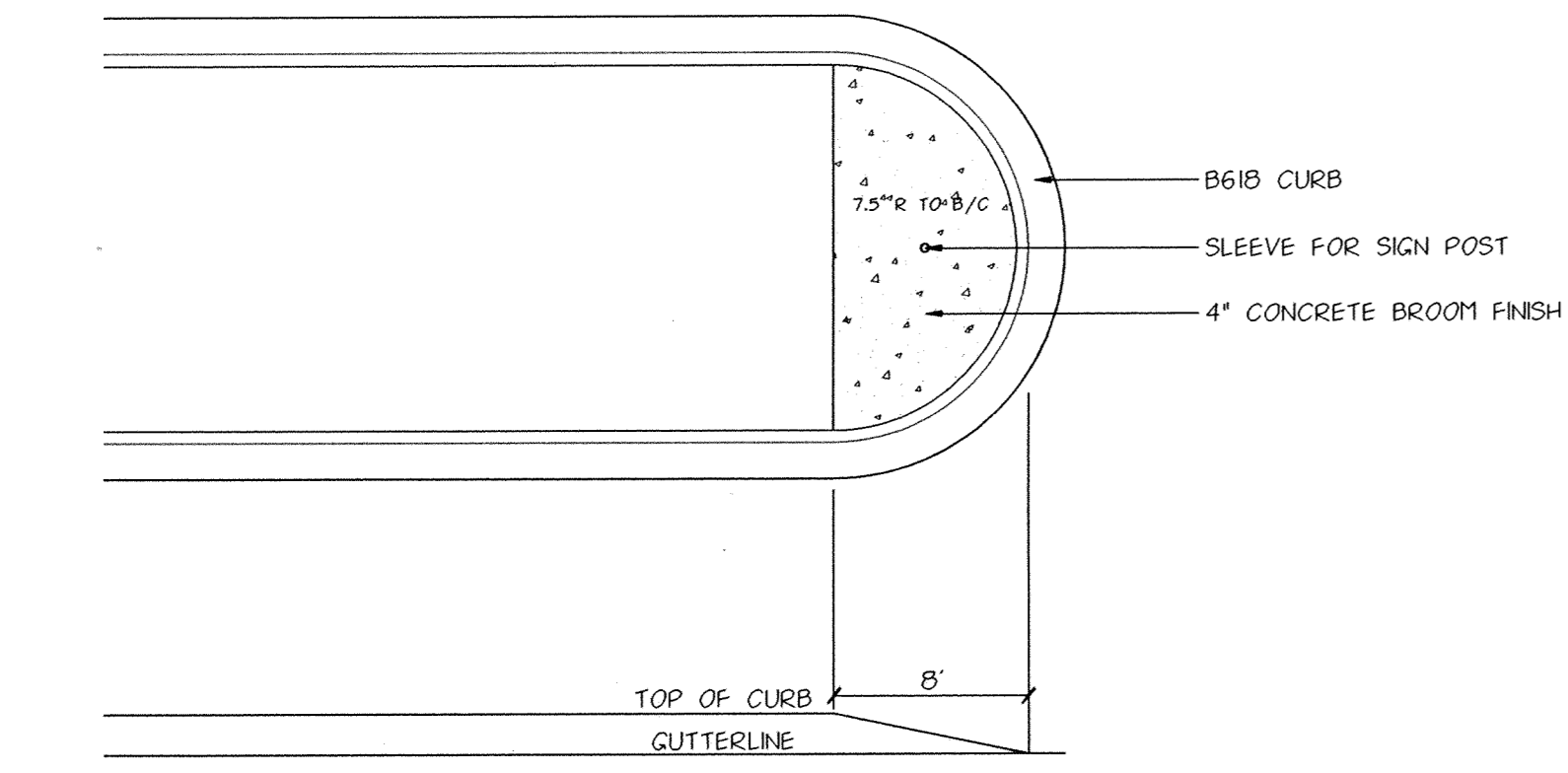
AT ALL TRENCHES 2#4 REINFORCING RODS SHALL BE PLACED IN THE LOWER PORTION OF THE CURB 20 FEET IN LENGTH.
2#4 REINFORCING RODS AT CATCH BASINS NO LESS THEN 10 FEET IN LENGTH.
NOTE: CONTROL JOINTS SHALL CONFORM WITH MNDOT SPEC. 2531.3C.



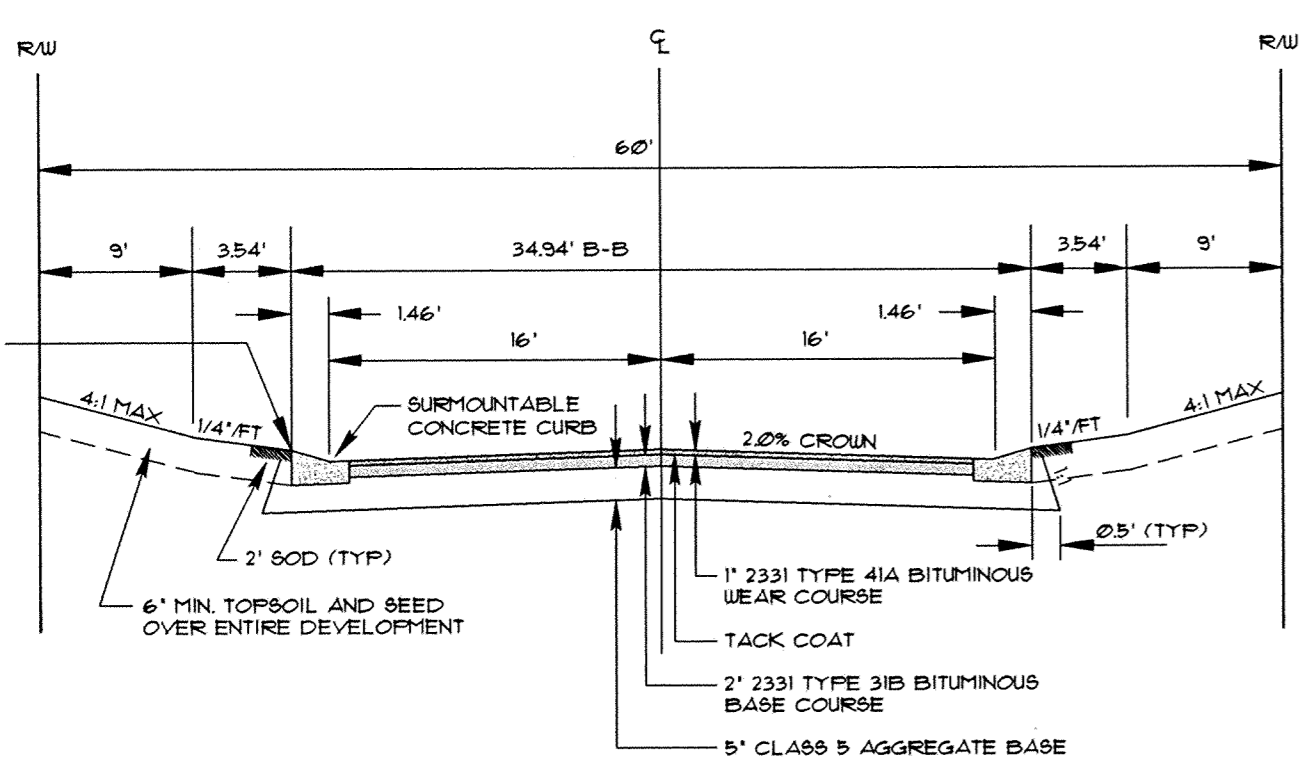
NOTE: B618 CURB TO BE USED AT RADIUS.



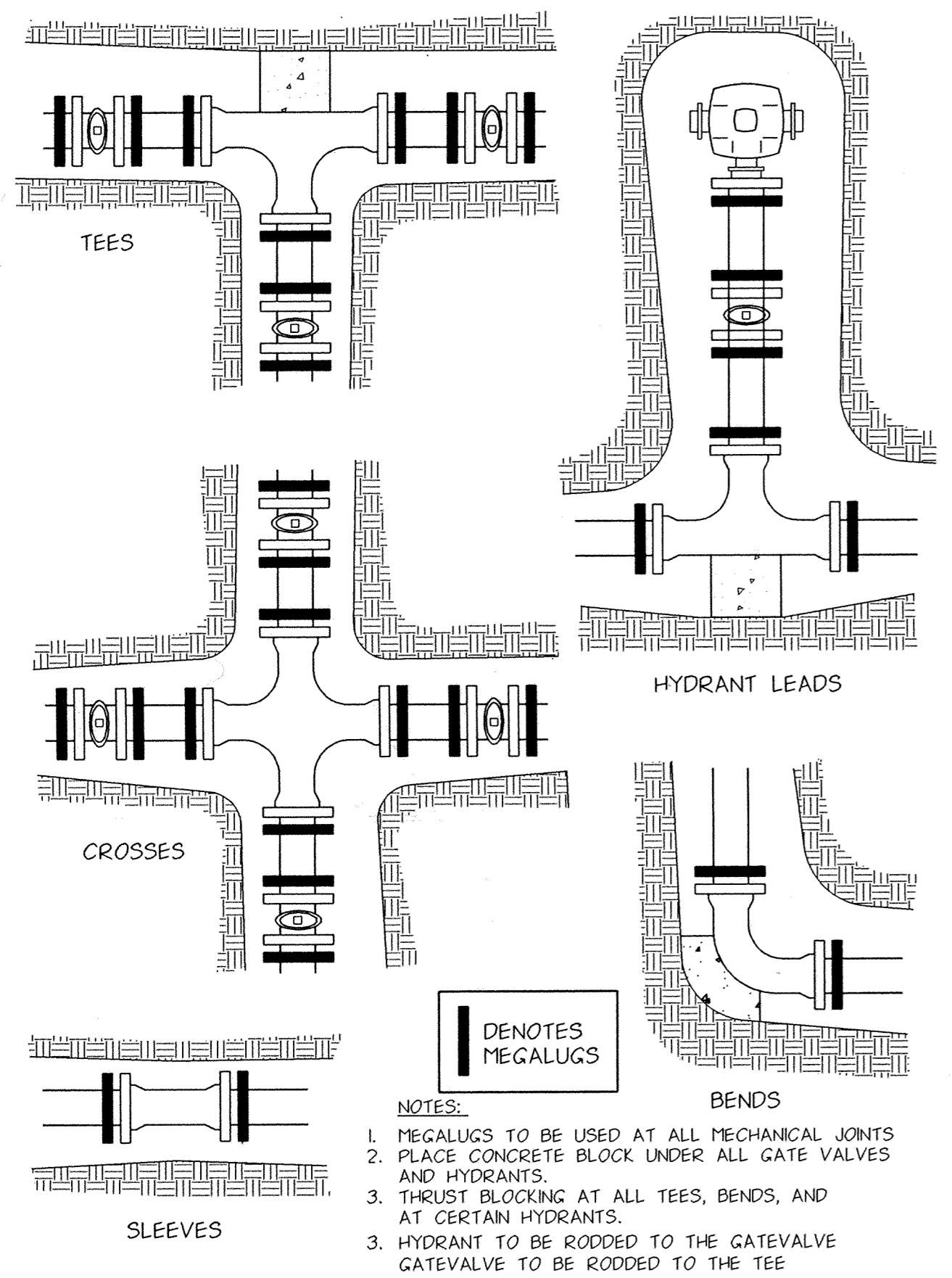
10 STANDARD CURB DETAILS



12 CURB ISLAND

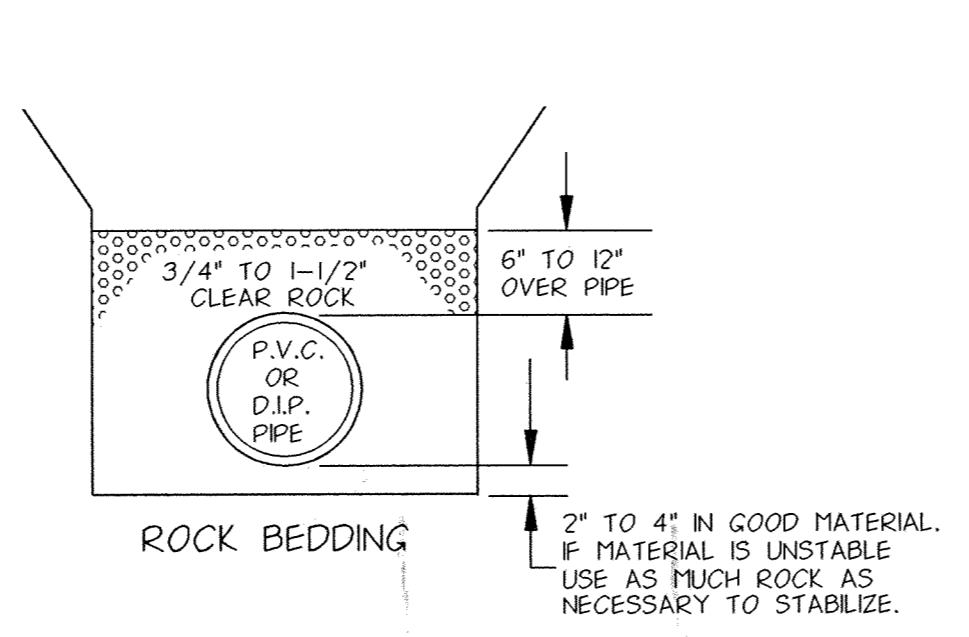
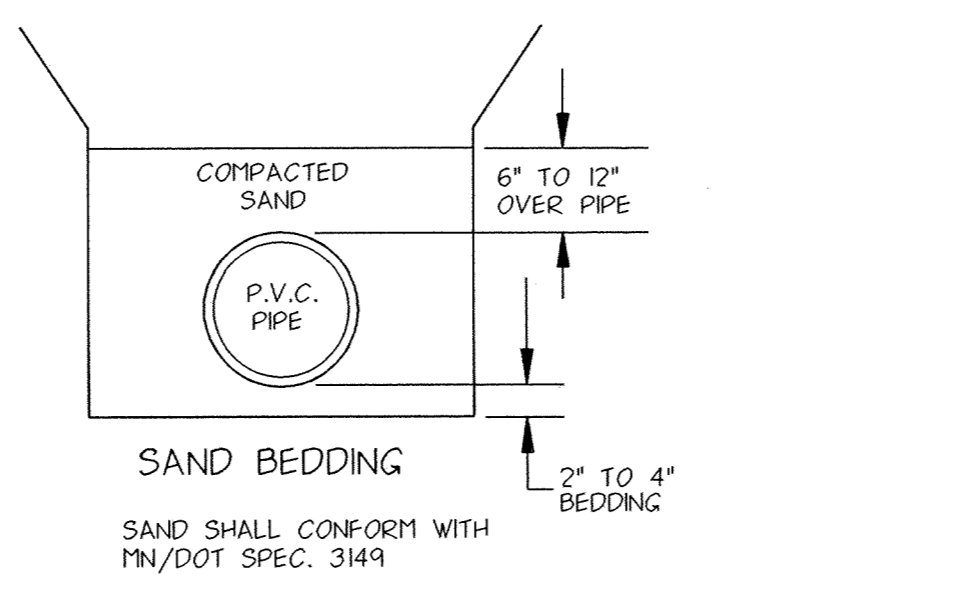


11 STREET SECTION

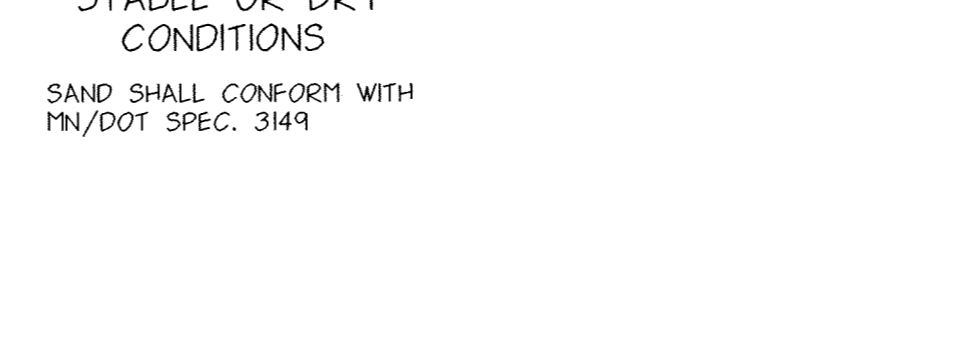
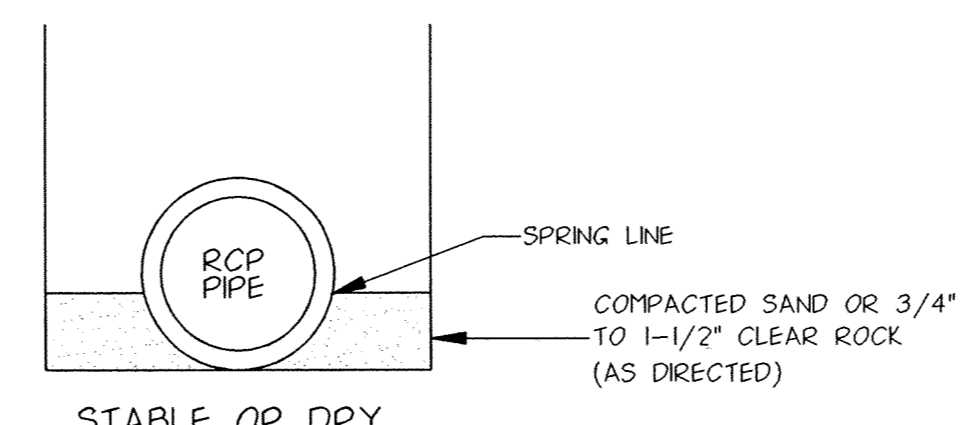


NOTES:
1. MEGALUGS TO BE USED AT ALL MECHANICAL JOINTS AND HYDRANTS.
2. PLACE CONCRETE BLOCK UNDER ALL GATE VALVES AND HYDRANTS.
3. THRUST BLOCKING AT ALL TEES, BENDS, AND AT CERTAIN HYDRANTS.
3. HYDRANT TO BE RODDED TO THE GATEVALVE GATEVALVE TO BE RODDED TO THE TEE

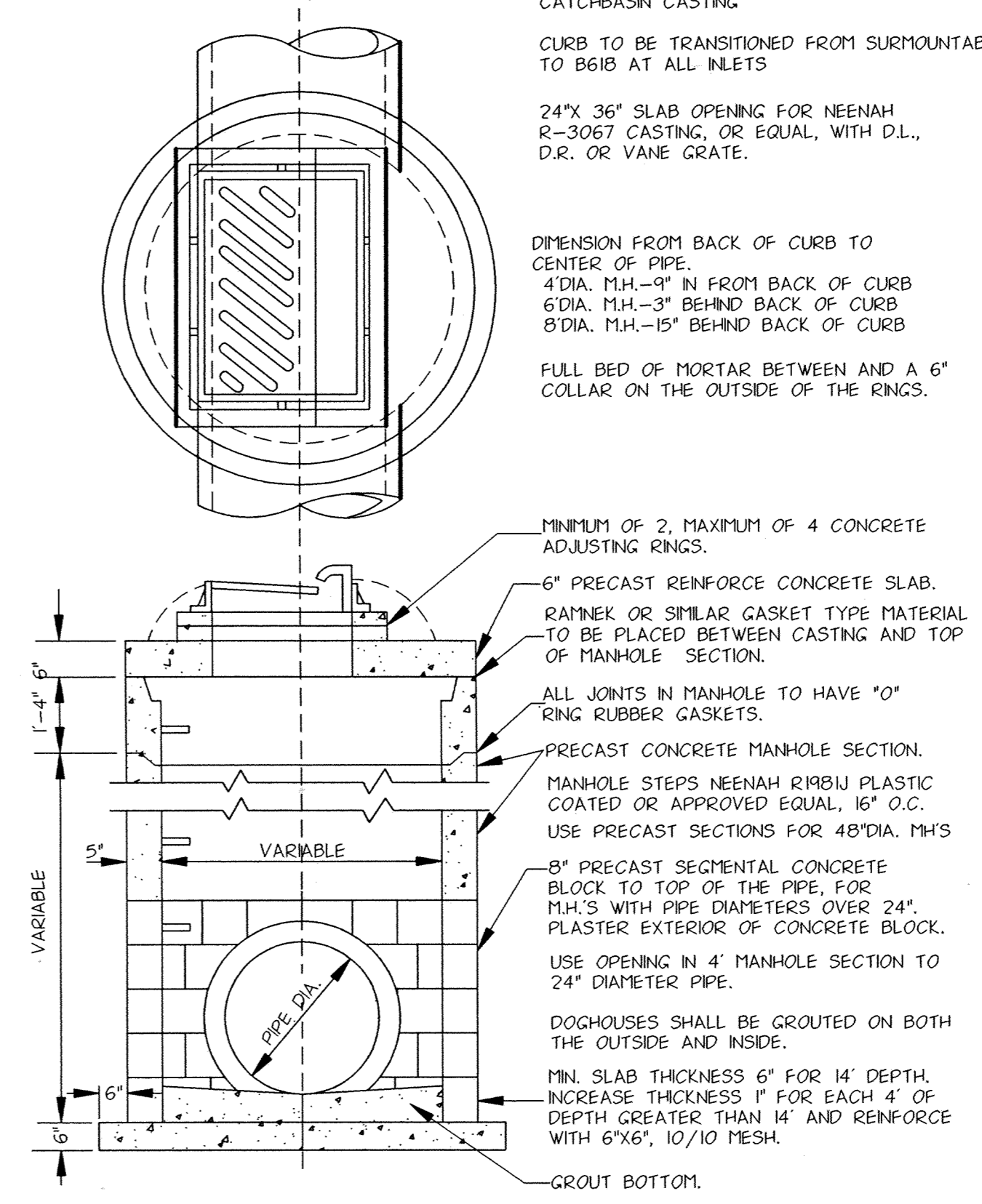
16 TYPICAL MEGALUG LOCATION



15 SANITARY SEWER BEDDING



14 STORM SEWER BEDDING



13 REINFORCED CONCRETE TOP SLAB