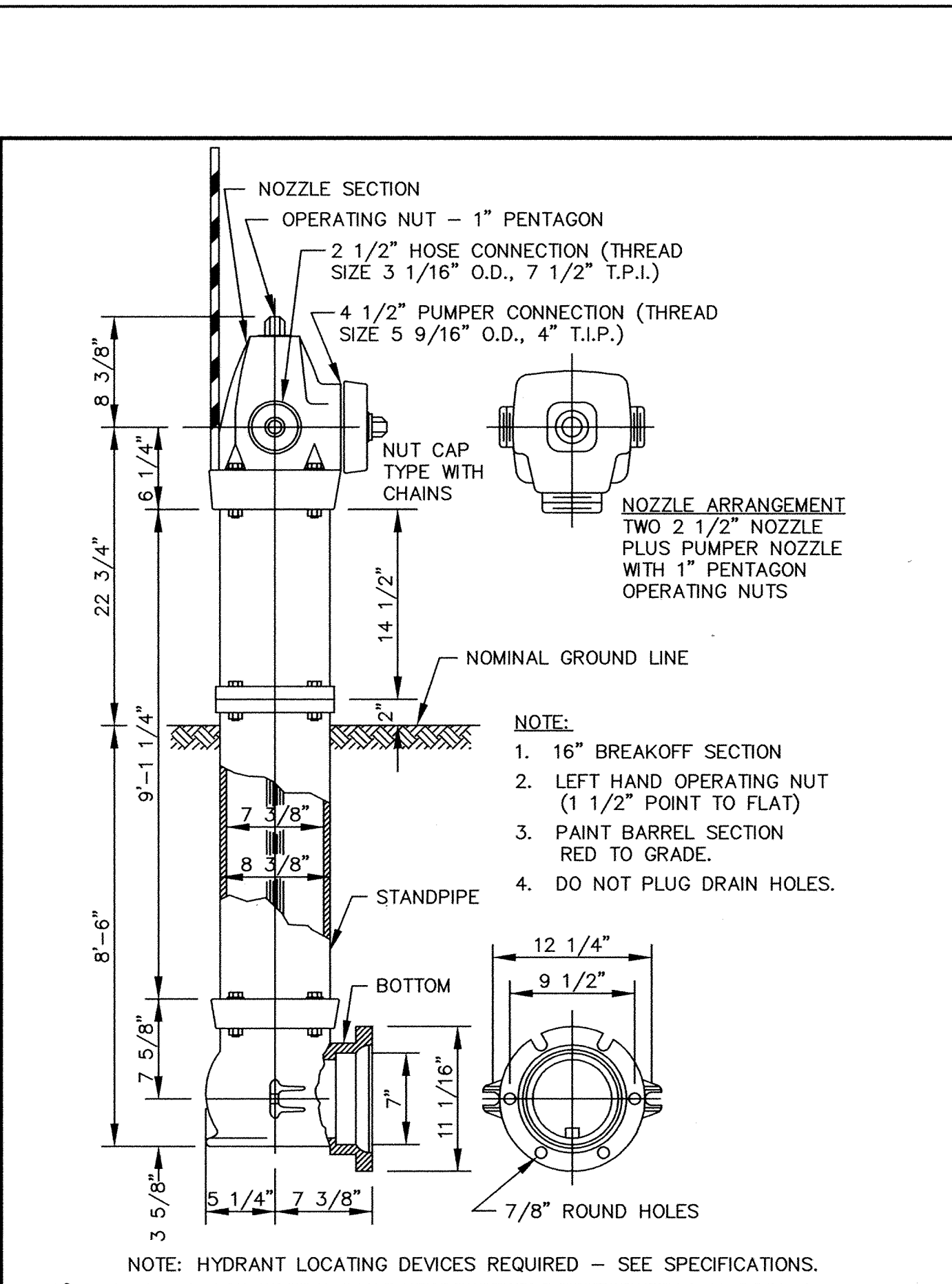
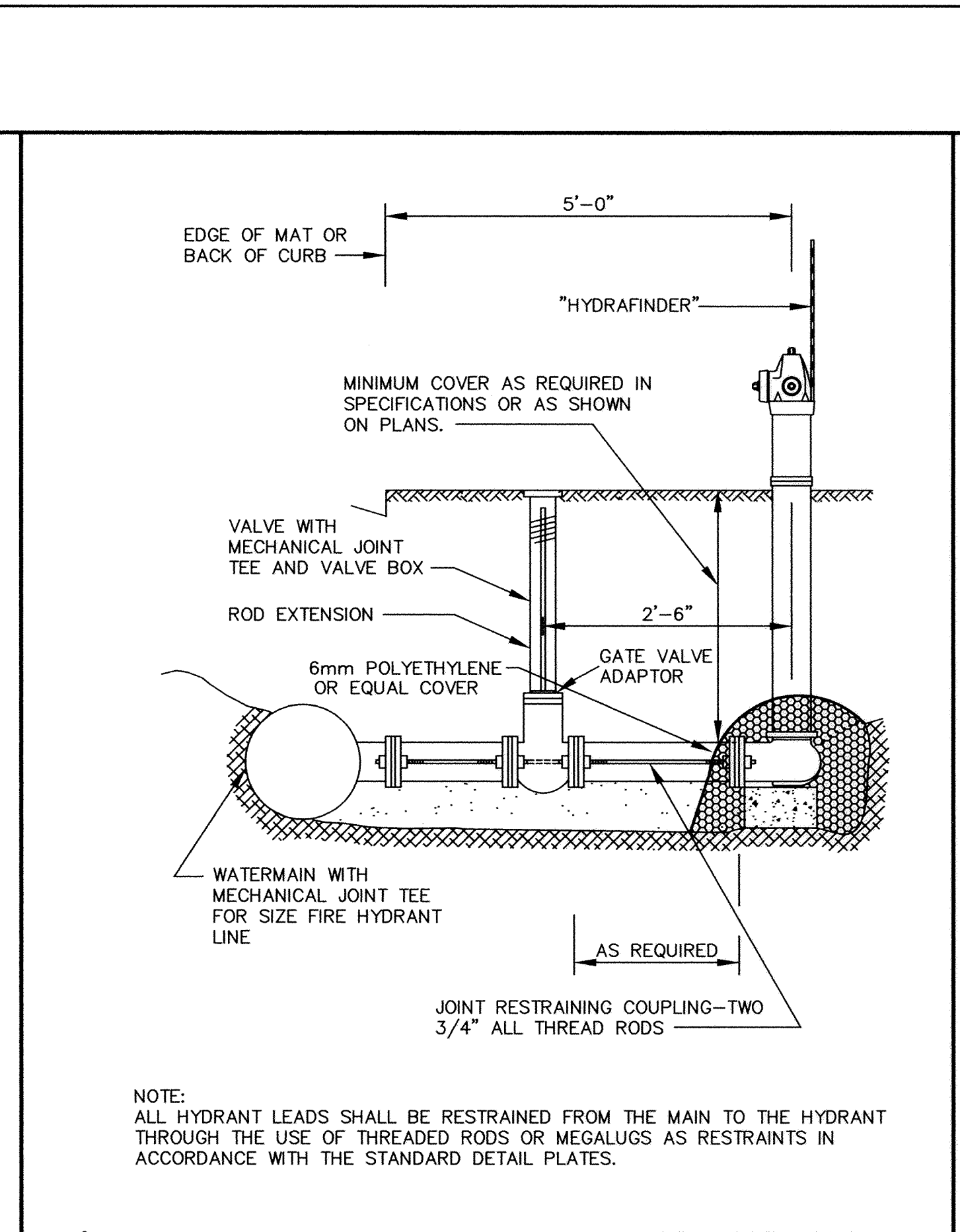


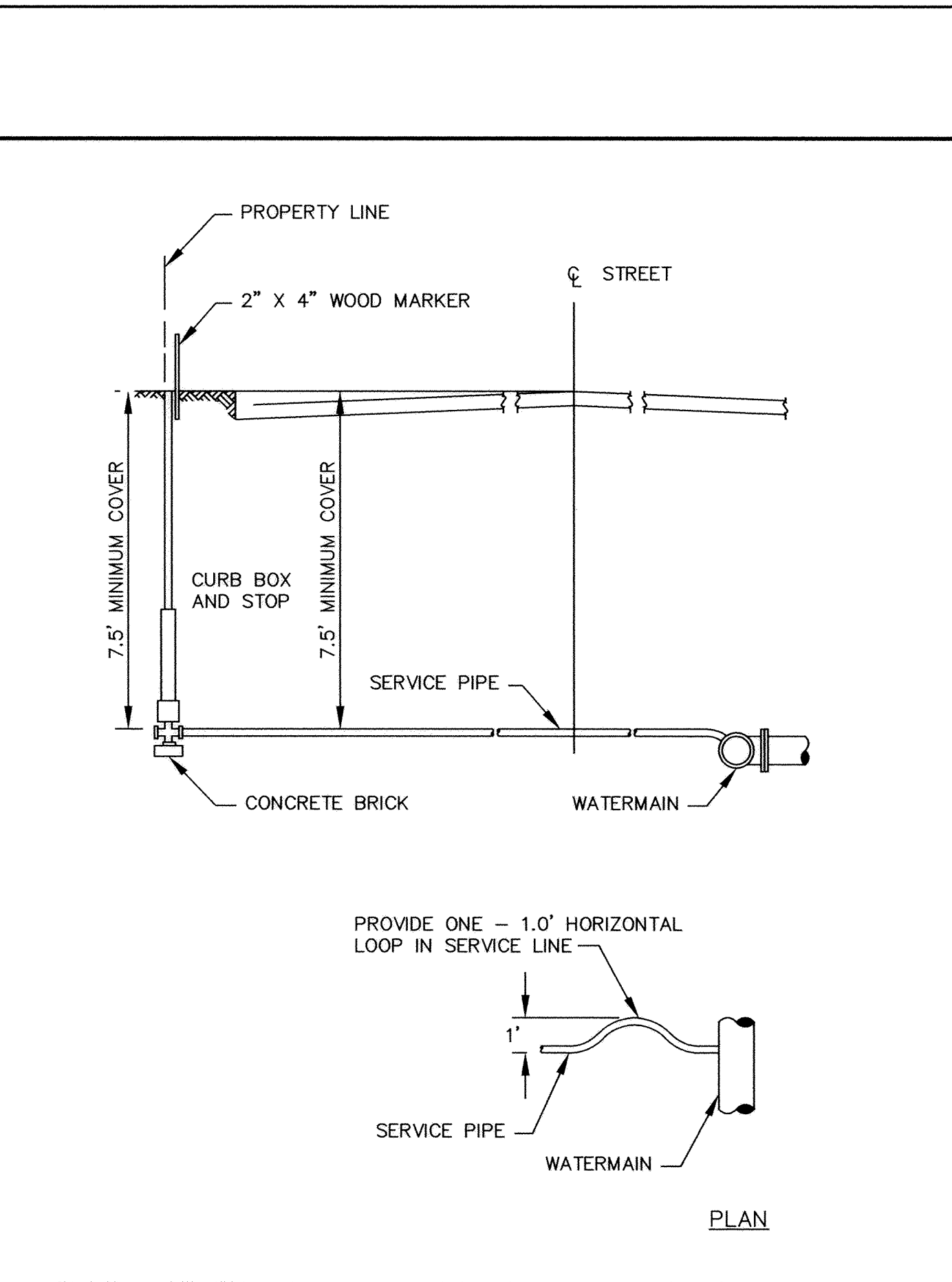
TYPICAL WATER LAYOUT
 STANDARD PLATE NO. **3400**



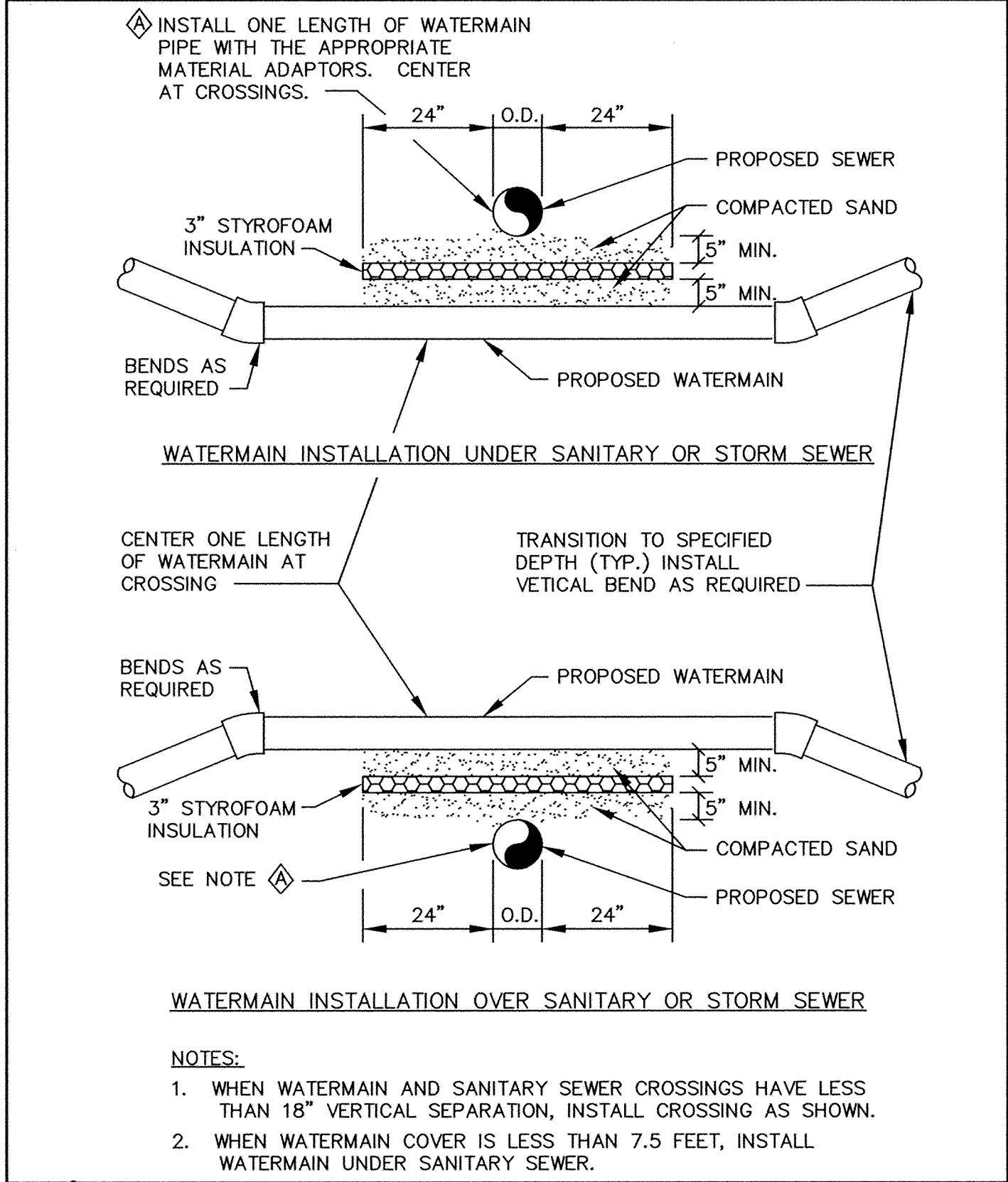
PACER HYDRANT DETAIL
 STANDARD PLATE NO. **3401**



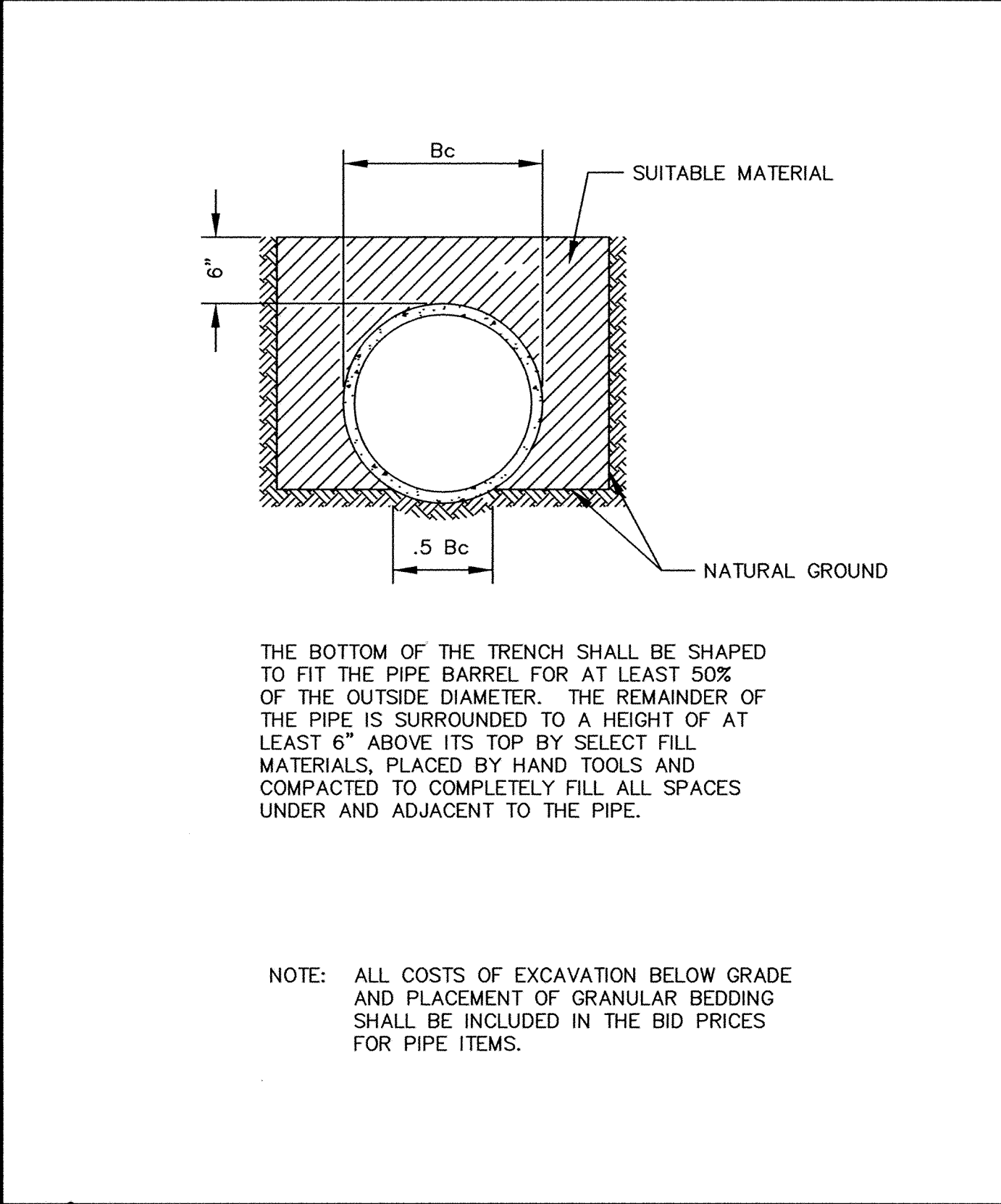
RODDING DETAIL
 STANDARD PLATE NO. **3402**



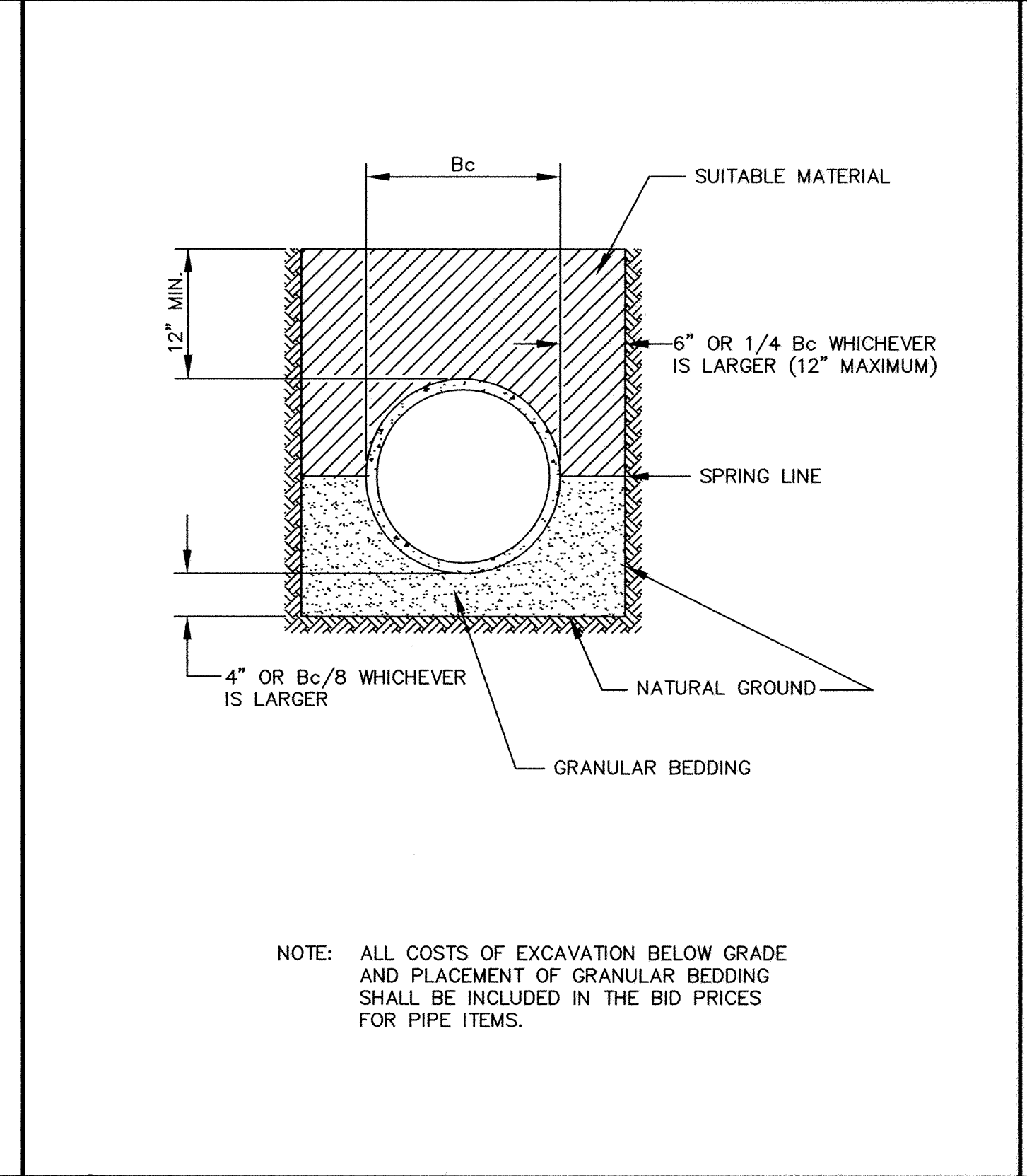
TYPICAL SERVICE DETAIL
 STANDARD PLATE NO. **3403**



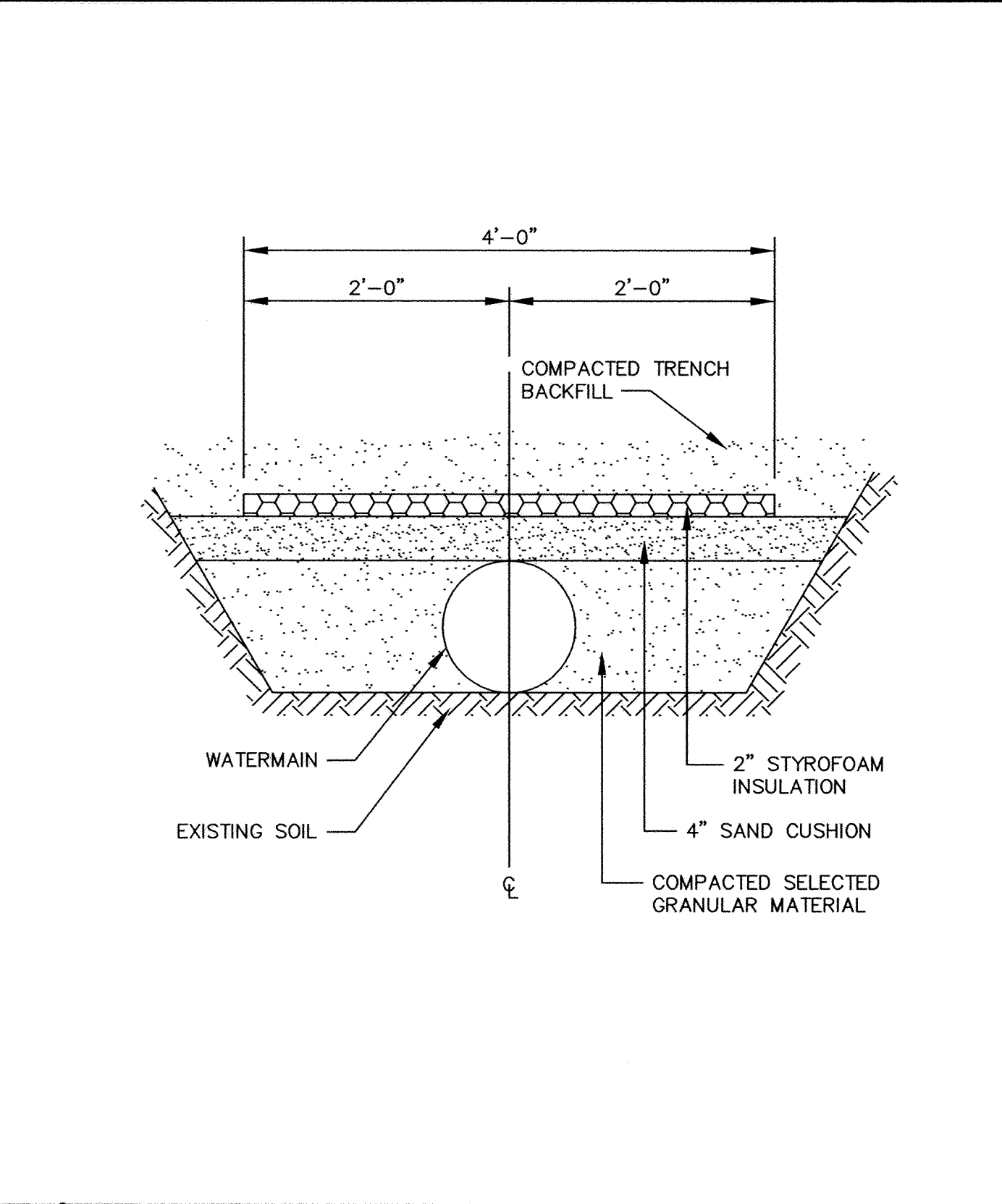
WATERMAIN CROSSING
 STANDARD PLATE NO. **3404**



CLASS C PIPE BEDDING
 STANDARD PLATE NO. **3405**



CLASS B PIPE BEDDING
 STANDARD PLATE NO. **3406**



PIPE INSULATION DETAIL
 STANDARD PLATE NO. **3407**

NO.	DATE	DESCRIPTION

I HEREBY CERTIFY THAT THIS PLAN, SPECIFICATION, OR REPORT WAS PREPARED BY ME OR UNDER MY DIRECT SUPERVISION AND THAT I AM A DULY LICENSED PROFESSIONAL ENGINEER UNDER THE LAWS OF THE STATE OF MINNESOTA.

JOHN M. ANDERSON
 AUG. 12, 2005 25889
 DATE LIC. NO.

CITY OF ELK RIVER
NORTHSTAR BUSINESS PARK
WATERMAIN DETAILS

BDM
 CONSULTING ENGINEERS, PLC
 Engineers and Surveyors
 4175 Lowell Road, Suite 112
 Lexington, MN 55014
 Phone: (763) 788-4570
 Fax: (763) 788-4574
 bdmce.com

DRAWN BY: JL
 CHECKED BY: JMA
 DESIGNED BY: JL
 JOB NO. 226035

SHEET **D5** SHEETS **25**